

# CITY WATER BOOSTER PUMP



**More pressure where you want it . . . when you need it!**

- All-in-one unit, consisting of pump, motor, stainless steel pressure tank and electronic controller
- Compact design and quiet operation make it suitable for many applications
- System has automatic built-in diagnostics to protect against:
  - Run Dry
  - Dead Head
  - Rapid Cycling
- Impeller constructed of stainless steel with stainless steel bearing and shaft sleeve
- 1 in. stainless steel inlet and outlet flanges



**Model VP05  
1/2 HP**

**Model VP10  
1 HP**

---

**1/2 and 1 HP , 115V**

---

**Pressures to 112 PSI**

---

**Flow rates to 27 GPM**

---



# City Water Booster Pump

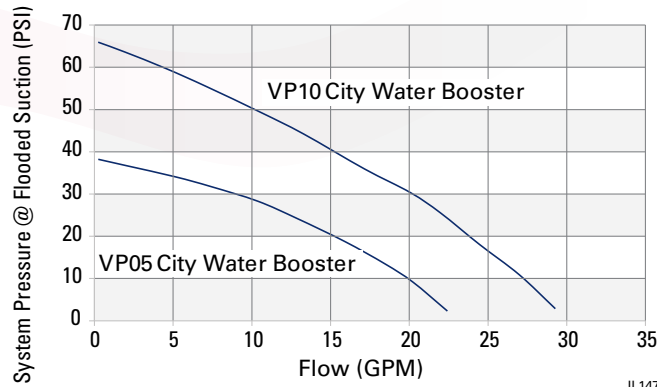
## PERFORMANCE

DO NOT EXCEED 30 PSI incoming pressure

DO NOT EXCEED 50 PSI INCOMING PRESSURE

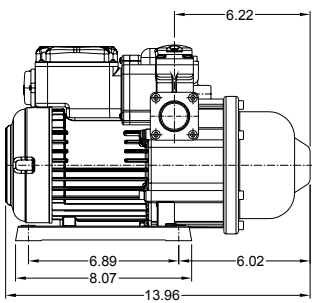
Inlet PSI	VP05 System Pressure (PSI) at Flow Rates (GPM)							HP
	3	6	9	12	15	18	21	
10	43	36	35	31	26	-	-	1/2
20	53	46	45	41	36	-	-	
30	63	56	55	51	46	-	-	

Inlet PSI	VP10 System Pressure (PSI) at Flow Rates (GPM)							HP
	3	6	9	12	15	18	21	
10	72	67	61	56	50	45	39	1
20	82	77	71	66	60	55	49	
30	92	87	81	76	70	65	59	
40	102	97	91	86	80	75	69	
50	112	107	101	96	90	85	79	

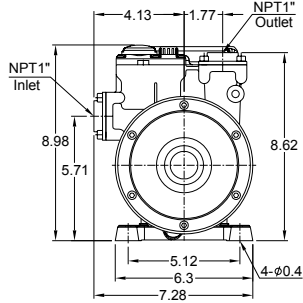


IL1473

## Outline / Dimensional Size



VP05



VP10

IL1212

## TYPICAL INSTALLATION

