









Flapper Gasket Dimensions




2" Flapper Assembly

Gasket	Weight
	
5-5/8"	1-1/2"
Bolt: 1/4" x 3/4" SS	Cover
	
	2-1/2"




3" Flapper Assembly

Gasket	Weight
	
6-3/8"	1-1/2"
Bolt: 1/4" x 3/4" SS	Cover
	
	3-1/2"




4" Flapper Assembly

Gasket	Weight
	
7-3/4"	2-1/2"
Bolt: 1/4" x 3/4" SS	Cover
	
	4-1/2"

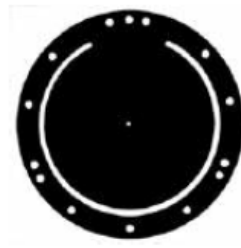


5" Flapper Assembly

Gasket	Weight
	
8-7/8"	3-1/2"
Bolt: 1/4" x 3/4" SS	Cover
	
	5-1/2"

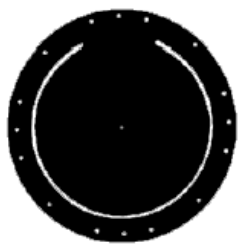


6" Flapper Assembly

	Weight
Gasket	
	4-1/2"
Cover	
9-3/4"	6-1/2"
Bolt: 1/4" x 3/4" SS	

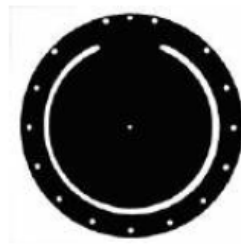


8" Flapper Assembly

	Weight
Gasket	
	6-1/2"
Cover	
11-3/4"	8-1/2"
Bolt: 1/4" x 3/4" SS	

10" Flapper Assembly

	Weight
Gasket	
	8-1/2"
Cover	
13-7/8"	10-1/2"
Bolt: 1/4" x 1" SS	

12" Flapper Assembly

	Weight
Gasket	
	10-1/2"
Cover	
17-1/4"	12-1/2"
Bolt: 5/16" x 1-1/4" SS	