

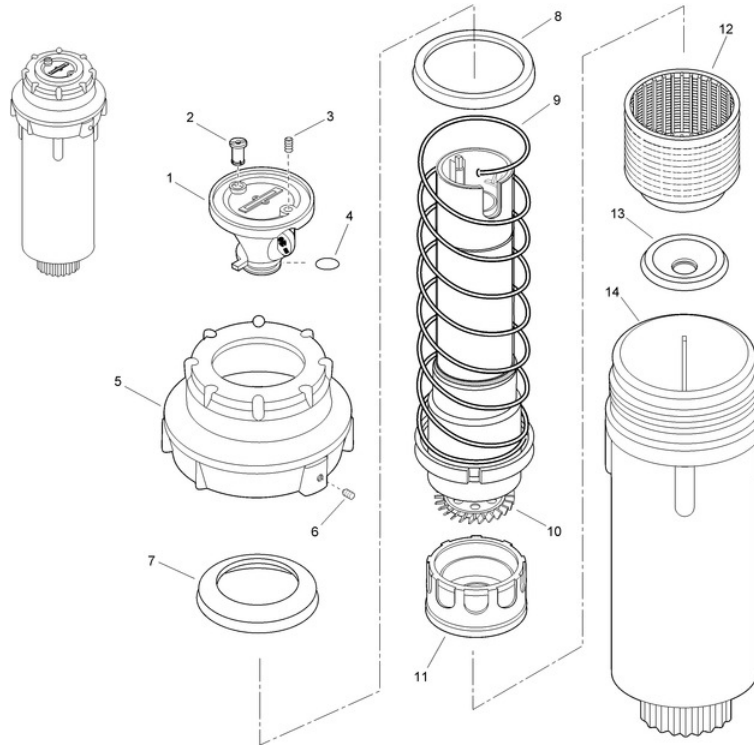


S700 Commercial

Model #:

Year:

Serial #:



No.	Description	Qty.
1	Nozzle Assy. (Includes Items 1-4)	1
2	Lock, Nozzle Pin	1
3	Screw, Set, Half-dog, 6-32 x 1/4"	1
4	O-Ring, 0.070" x 0.426" x 0.566" (White)	
5	35-8963Cap Assy., 700C Locking	1
6	360-0223Screw-Set, Half-dog Point, 6-32 x 1/4, EL and PR	1
7	35-8964Seal, Riser (S700C)	1
8	89-0995Sleeve, Spring	1

No.	Description	Qty.
9	89-0122Spring, Retraction	1
10	35-8931Riser Assembly (w/ Stainless Steel Sleeve)	1
11	35-6323Stator Assy., Variable	1
12	9-1691Screen	1
13	89-0266Check Valve	1
14	9-1661Body	1
	89-0323Cover, Nozzle (For use with non-locking nozzles only)	
	89-0805Restrictor, Low Pressure	
	89-3816Cover, Lavender, XP300/S600/S700 (Inserts in Top of Nozzle)	