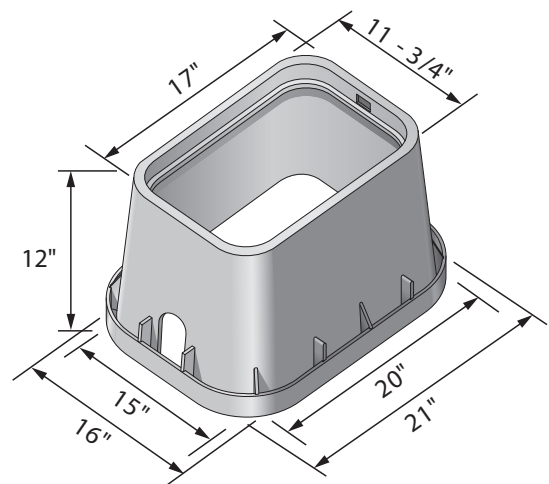
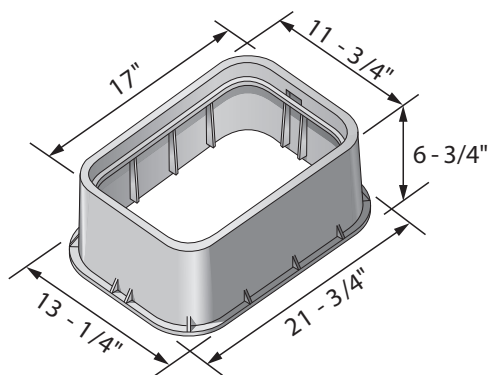
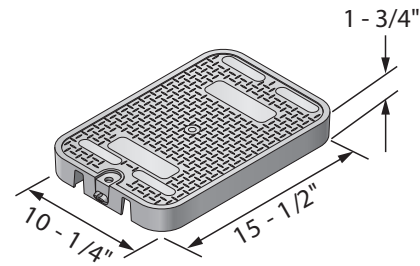
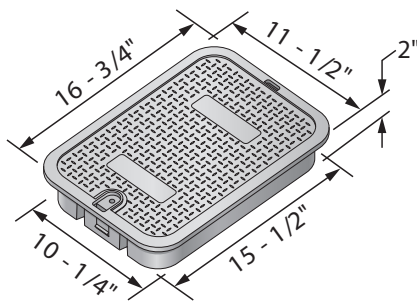


NDS Standard Series 14" x 19" Rectangular Valve Boxes

Specifications: The NDS STANDARD SERIES 14"x19" valve boxes and covers are injection molded of structural foam polyolefin material with a melt index between 10-12. Coloring and UV stabilizers are added, along with processing lubricants when needed. The 14"x19" body shall be tapered and have a minimum wall thickness of .200". The body shall have a double wall at the top cover seat area with a minimum thickness of .250". The cover seat area shall have 16 structural support ribs on the underside of the seat, each with a minimum thickness of .250". The bottom of the body shall have a .500" flange. The 14"x19" cover shall have an average thickness of .250".



2-3/4" x 2-1/2" Pipe Slot

Part Number	Box Description	Cover Description - Marking	Color (Box/Cover)	Pallet Qty	Weight Ea
Box & Cover					
113BC	14"x19"Box	Overlapping Cover - ICV	Black/Green	78	8.00
113BCB	14"x19"Box	Overlapping Bolt-Down Cover - ICV	Black/Green	78	8.10
113BCD	14"x19"Box	Drop-In Cover - ICV	Black/Green	78	8.00
113BCDB	14"x19"Box	Drop-In Bolt-Down Cover - ICV	Black/Green	78	8.10
113BC SAND	14"x19"Box	Overlapping Cover - ICV	Sand/Sand	78	8.00
113BCR	14"x19"Box	Overlapping Cover - Reclaimed Water	Black/Purple	78	8.00
113PBCR	14"x19"Box	Overlapping Cover - Reclaimed Water	Purple/Purple	78	8.00
113BCBW	14"x19"Box	Overlapping Bolt-Down Cover - Water	Black/Green	78	8.10
113BCBS	14"x19"Box	Overlapping Bolt-Down Cover - Sewer	Black/Green	78	8.10
113BCE	14"x19"Box	Overlapping Cover - Electrical	Black/Green	78	8.00
113BCT	14"x19"Box	Overlapping Cover - Telephone	Black/Green	78	8.00
113BCDS	14"x19"Box	Drop-in Cover - Sewer	Black/Green	78	8.00
113BCDBS	14"x19"Box	Drop-in Bolt-Down Cover - Sewer	Black/Green	79	8.10
115	14"x19"x6" Box	Overlapping Cover - ICV	Black/Green	49	8.00
115BCB	14"x19"x6" Box	Overlapping Bolt-Down Cover - ICV	Black Ext/Grn Cvr Plt	49	8.10
115TBC	14"x19"x6" Tapered Box	Overlapping Cover - ICV	Black/Green	96	6.00
115TBCB	14"x19"x6" Tapered Box	Overlapping Bolt-Down Cover - ICV	Black/Green	96	6.10
116	14"x19"x6" Box	Overlapping Cover - ICV	Green/Green	49	8.00
116TBC	14"x19"x6" Tapered Box	Overlapping Cover - ICV	Green/Green	96	6.00
114BC	14"x19"Box	Overlapping Cover - ICV	Green/Green	78	8.00
Cover Only					
113C		14"x19"Overlapping Cover - ICV	Green	300	2.00
113CD		14"x19"Drop-In Cover - ICV	Sand	300	2.00
113C SAND		14"x19"Overlapping Cover - ICV	Sand	300	2.00
113CR		14"x19"Overlapping Cover - Reclaimed Water	Purple	300	2.00
113CE		14"x19"Overlapping Cover - Electrical	Green	300	2.00
113CT		14"x19"Overlapping Cover - Telephone	Green	300	2.00
113CDS		12"x17" Drop-in Cover - Sewer	Green	300	2.00
Box Only					
113B	14"x19"Box		Black	78	6.00
114B-SAND	14"x19"Box		Sand	78	6.00
113PB	14"x19"Box		Purple	78	6.00
113-6	14"x19"x6" Extension		Black	49	4.00
115TB	14"x19"x6" Tapered Box		Black	96	4.00
116TB	14"x19"x6" Tapered Box		Green	96	4.00
116-SAND	14"x19"x6" Extension		Sand	49	6.00
116TB SAND	14"x19"x6" Tapered Box		Sand	96	4.00
113BB	2-1/2" X 3/8" SS bolt		Steel	1	0.10

Call for additional options and availability

Properties of Unfoamed Resin		
	ASTM Test Method	Polyolefin
Tensile Strength, Yield	ASTM D 638	3100-4400 PSI
Density	ASTM D 792	.900-.956
Notched Izod Impact Strength	ASTM D 256	4-15 ft. lbs/in.
Heat Deflection Temperature @ 66 PSI, Degrees F.	ASTM D 648	165-212 degrees F.

Shipping Configuration			
	Box	Extension	Lid
Pallet	78	49	300
Pieces per Stack	13	7	30
Stack per Pallet	6	7	10
Pallet Dimensions	43"x48"x51"	40"x47"x48"	40"x50"x66"



NDS Customer Service
851 N. Harvard Ave
Lindsay, CA 93247
Phone: (800) 726-1994
(559) 562-9888
Fax: (800) 726-1998
(559) 562-4488

www.NDSPRO.com