



## OPTIONAL ATTACHMENTS & ACCESSORIES

### Accessories

99944200200	SRM Shoulder Harness Kit
99944200451	U-Handle_Blade Conversion Combo Kit

### Cutting Blades

69500121431	10" 80 Tooth Brush Blade
69600121431	8" 8 Tooth Blade
89850308031	8" Blade Protector
89852340030	10" Blade Protector
99944200045	Tri-Cut Blade with Glide Cup - 25mm Arbor
99944200048	3 Cutter Metal Blade - 25mm Arbor
99944200140	22 Tooth Clearing Saw Blade -- 25mm Arbor

### Cutting Heads

215511	Pro Maxi-Cut Head
21560031	SRM ECHOMATIC Pro Head
21560050	Semi-Auto Head Assembly
21560056	2-Line Rapid Loader Head -- Echo
21560060	SRM Manual Dual Line Head
99944200220	Heavy Duty Fixed Line Head
99944200221	3-Line Rapid Loader Head -- Echo
99944200250	SRM ECHOMATIC II Head
99944200900	U-Turn Head

## PARTS CATALOG

# SRM-410U

# Brushcutter

42.7cc

## SERIAL NUMBERS

S/N: S05403001001 - S05403999999

## **ECHO, INCORPORATED**

400 Oakwood Road Lake Zurich, Illinois 60047 USA

WWW.ECHO-USA.COM



# Table of Contents

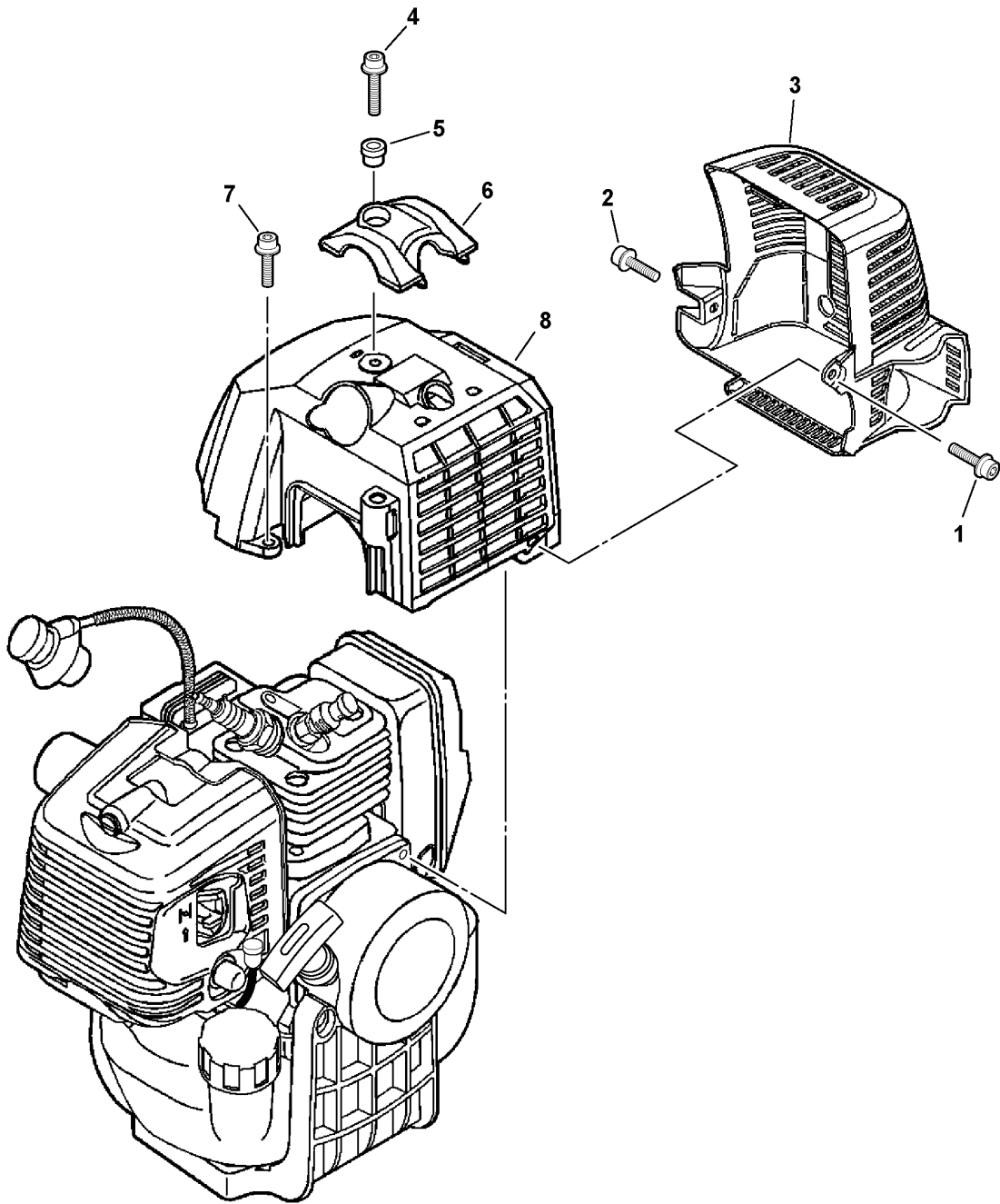
---

Click Any Diagram Description Below To View That Diagram.

## **SRM-410U S/N: S05403001001 - S05403999999**

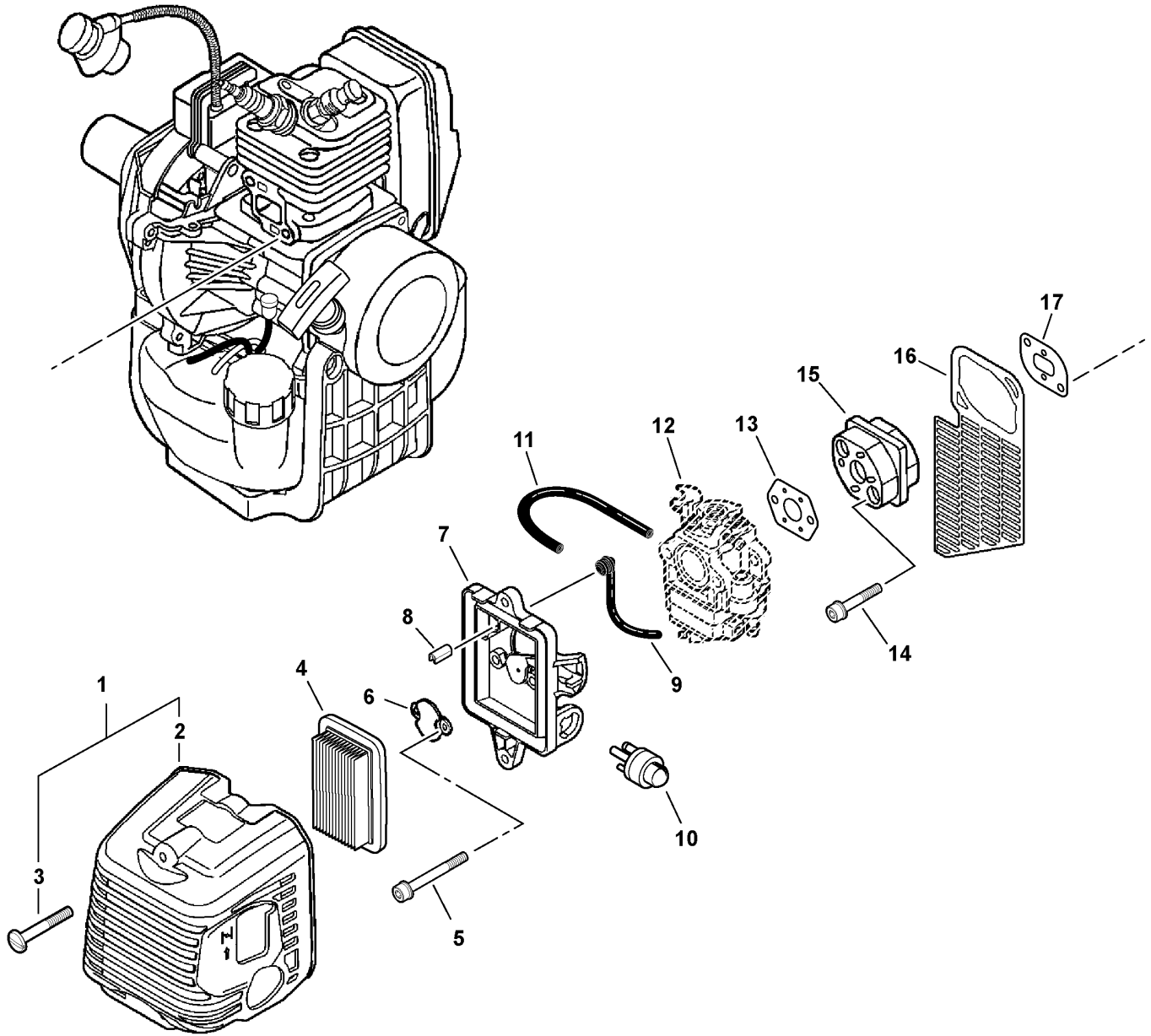
Engine Cover, Exhaust Cover.....	4
Intake.....	6
Carburetor -- WYK-226A.....	8
Exhaust.....	10
Fuel System, Starter.....	12
Fan Cover, Clutch S/N: S05403001001 - S05103001924.....	14
Fan Cover, Clutch S/N: S05403001925 - S05403999999.....	16
Ignition.....	18
Engine, Short Block - SB1097, Decompression Assembly.....	20
Gear Case.....	22
10", 80-Tooth Blade - 25 mm Arbor.....	24
Metal Shield.....	26
Shoulder Harness.....	28
Main Pipe, Solid Driveshaft.....	30
Handles, Throttle Control.....	32
Labels.....	34
Gasket Kit -- P021003370.....	36
Tools.....	38
Part Number Index.....	40
Part Description Index.....	41

***This Page Intentionally Left Blank***



001 0007 00C

ITEM	PART NUMBER	QTY	DESCRIPTION	REMARKS
1	90010605020	1	SCREW 5X20	
2	90010605012	1	SCREW 5X12	
3	A320000091	1	COVER, EXHAUST	
4	90010605020	1	SCREW 5X20	
5	V353000020	1	COLLAR 5	
6	A162000020	1	GUARD, TOP	
7	90010605012	1	SCREW 5X12	
8	A160000241	1	COVER, ENGINE - ORANGE	

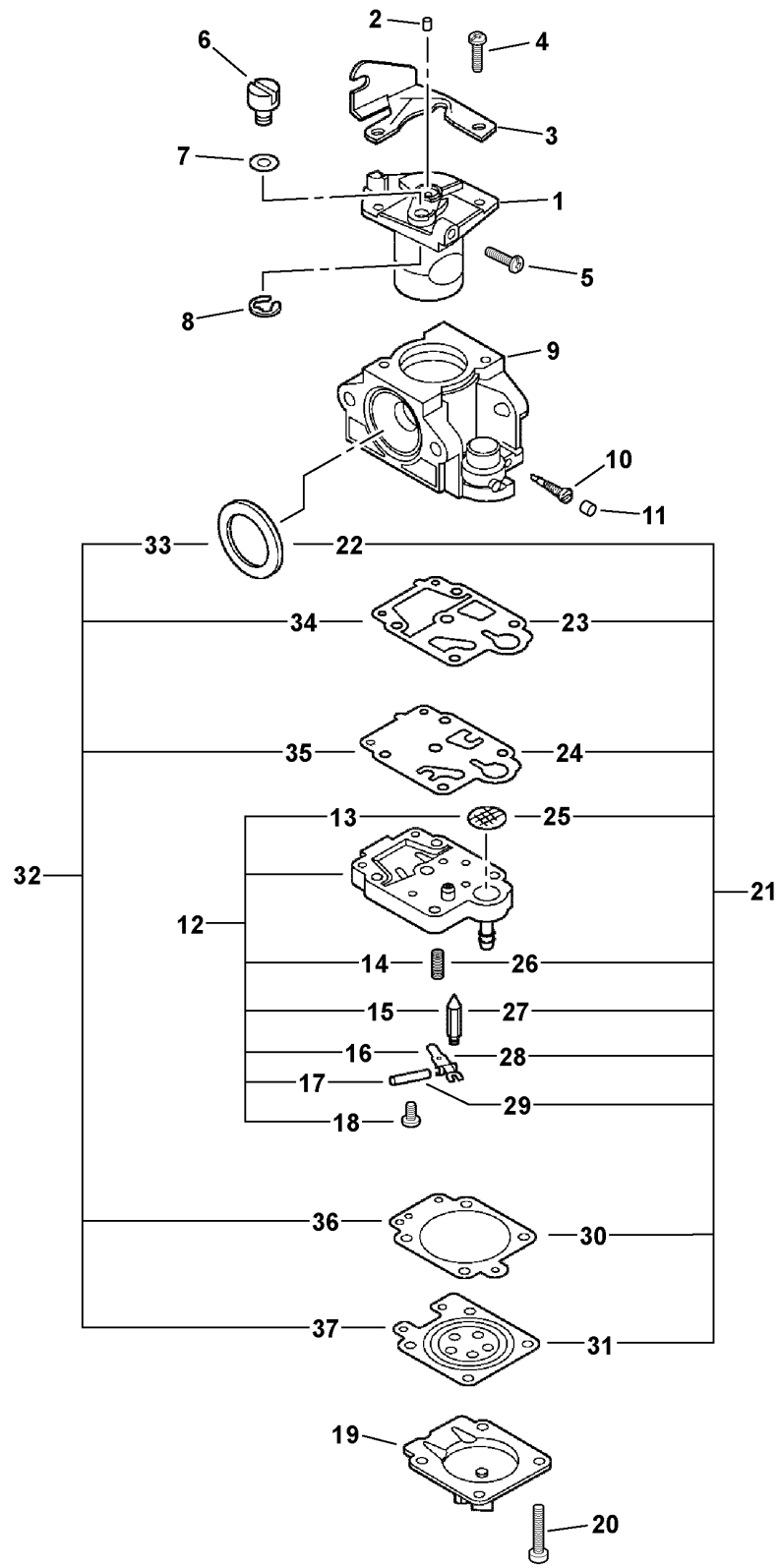


005 0016 00C

ITEM	PART NUMBER	QTY	DESCRIPTION	REMARKS
1	P021012110	1	AIR CLEANER COVER ASY	INCLUDES ITEMS 2-3
2	A232000390	1	COVER, AIR CLEANER	
3	V253000100	2	SCREW 5X20	
4	A226000360	1	FILTER, AIR	
5	90010505055	2	SCREW 5X55	
6	A244000010	1	PLATE, PREVENT	
7	P021009590	1	CASE, AIR CLEANER	
8	A239000050	1	INSERT <sup>1</sup>	
9	13201239331	1	PIPE, VENT - GROMMET	
10	12318139130	1	PUMP, PURGE	
11	V471001560	1	PIPE, INTAKE - 3X5X80mm	REPOWER BULK OPTION: 90014
12	-----	1	CARBURETOR <sup>2</sup>	
13	V103000080	1	GASKET, INTAKE <sup>1</sup>	
14	90010605025	2	SCREW 5X25	
15	A200000060	1	INSULATOR, INTAKE	
16	A128000060	1	SHIELD, DEBRIS	
17	V103000070	1	GASKET, INTAKE <sup>1</sup>	

**Footnotes**

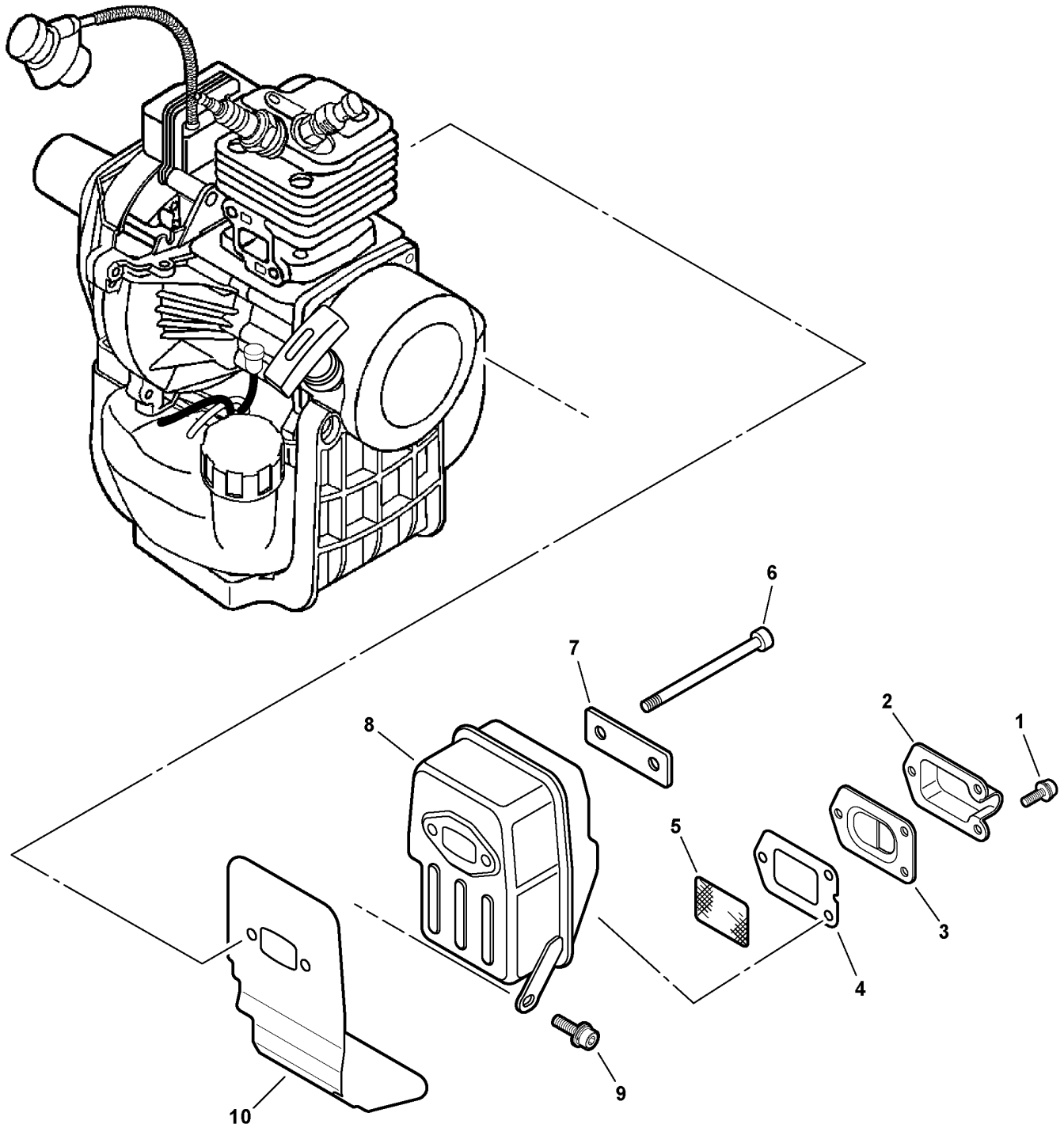
- 1: Also Included In GASKET KIT
- 2: See Carburetor Diagram For Additional Information



WYK226A 0000 000



ITEM	PART NUMBER	QTY	DESCRIPTION	REMARKS
	A021001171	1	CARBURETOR -- WYK-226A	
1	-----	1	THROTTLE VALVE ASY	NOT AVAILABLE SEPARATELY
2	A259000000	1	CAP, LIMITER	
3	P003000180	1	BRACKET, CABLE	
4	12311440630	2	SCREW, CABLE BRACKET	
5	12313440030	1	SCREW, IDLE ADJUST	
6	12317245130	1	SWIVEL	
7	12314954230	1	WASHER	
8	12317307930	1	CLIP, SWIVEL	
9	-----	1	BODY, CARBURETOR	NOT AVAILABLE SEPARATELY
10	P003001130	1	NEEDLE - HIGH SPEED	
11	A259000000	1	CAP, LIMITER	
12	P003001490	1	PUMP BODY ASY	INCLUDES ITEMS 12-18
13	-----	1	SCREEN, INLET	
14	-----	1	SPRING, METERING LEVER	
15	-----	1	VALVE, INLET NEEDLE	
16	-----	1	LEVER, METERING	
17	-----	1	PIN, METERING LEVER	
18	12313905560	1	SCREW, METERING LEVER PIN	
19	P003001500	1	COVER, PRIMER PUMP	
20	12314444330	4	SCREW, PUMP COVER	
21	P003000660	1	REPAIR KIT	INCLUDES ITEMS 22-31
22	-----	1	PACKING, RING	
23	-----	1	GASKET, PUMP	
24	-----	1	DIAPHRAGM, PUMP	
25	-----	1	SCREEN, INLET	
26	-----	1	SPRING, METERING LEVER	
27	-----	1	VALVE, INLET NEEDLE	
28	-----	1	LEVER, METERING	
29	-----	1	PIN, METERING LEVER	
30	-----	1	GASKET, METERING DIAPHRAGM	
31	-----	1	METERING, DIAPHRAGM	
32	P003000650	1	GASKET/DIAPHRAGM KIT	INCLUDES ITEMS 33-37
33	-----	1	PACKING, RING	
34	-----	1	GASKET, PUMP	
35	-----	1	DIAPHRAGM, PUMP	
36	-----	1	GASKET, METERING DIAPHRAGM	
37	-----	1	METERING, DIAPHRAGM	



006 0038 00C

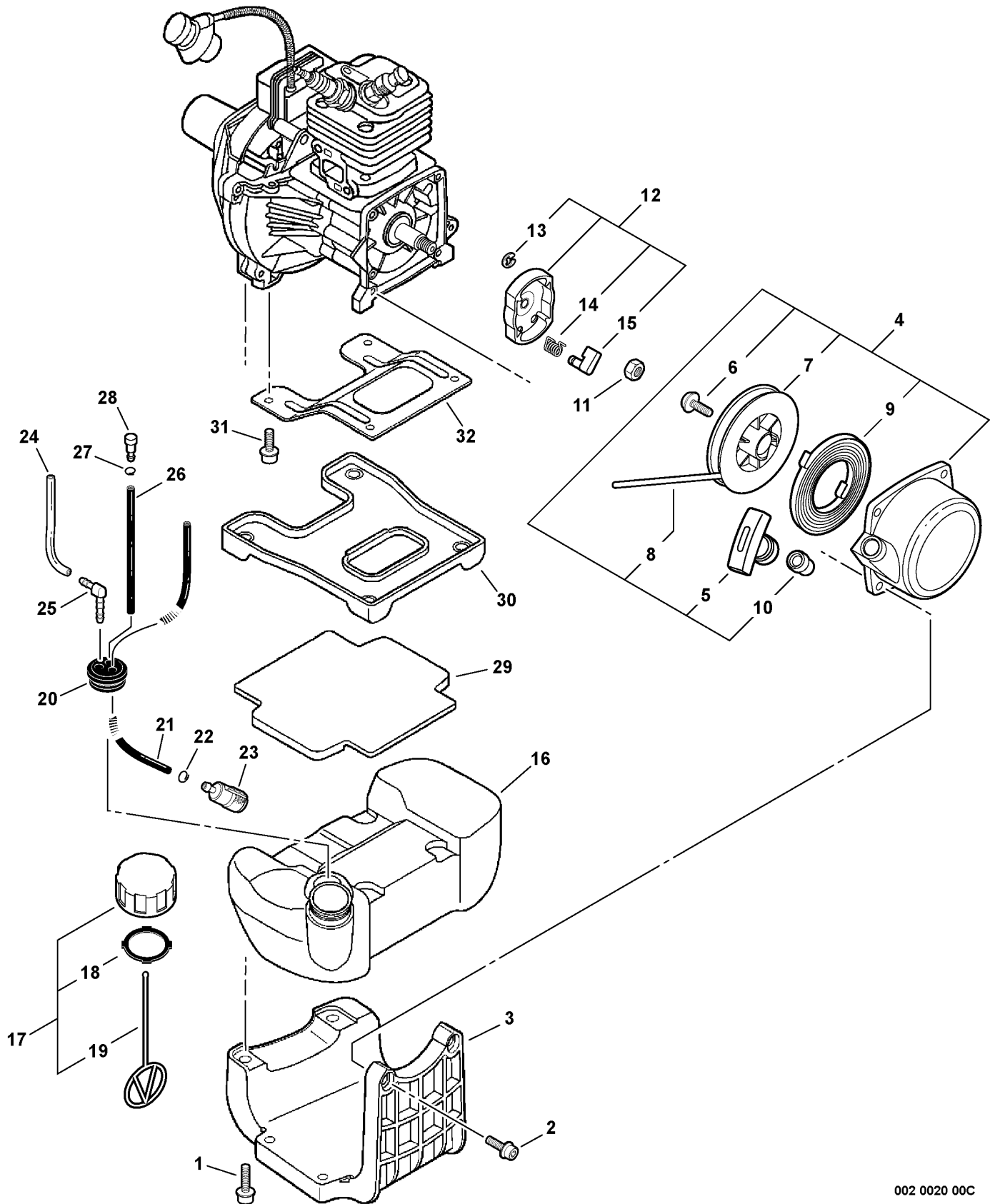
**SRM-410U Brushcutter**

**Exhaust**

ITEM	PART NUMBER	QTY	DESCRIPTION	REMARKS
1	90024204010	3	SCREW 4X10	
2	A313000290	1	GUIDE, EXHAUST - OUTER	
3	A313000300	1	GUIDE, EXHAUST - INNER	
4	14586642031	1	GASKET, EXHAUST <sup>1</sup>	
5	14586240630	1	SCREEN, MUFFLER	
6	90010506060	2	SCREW 6X60	
7	V150000550	1	PLATE, EYE	
8	A300000231	1	MUFFLER	
9	90016205012	1	SCREW 5X12	
10	V104000241	1	SHIELD, EXHAUST <sup>1</sup>	

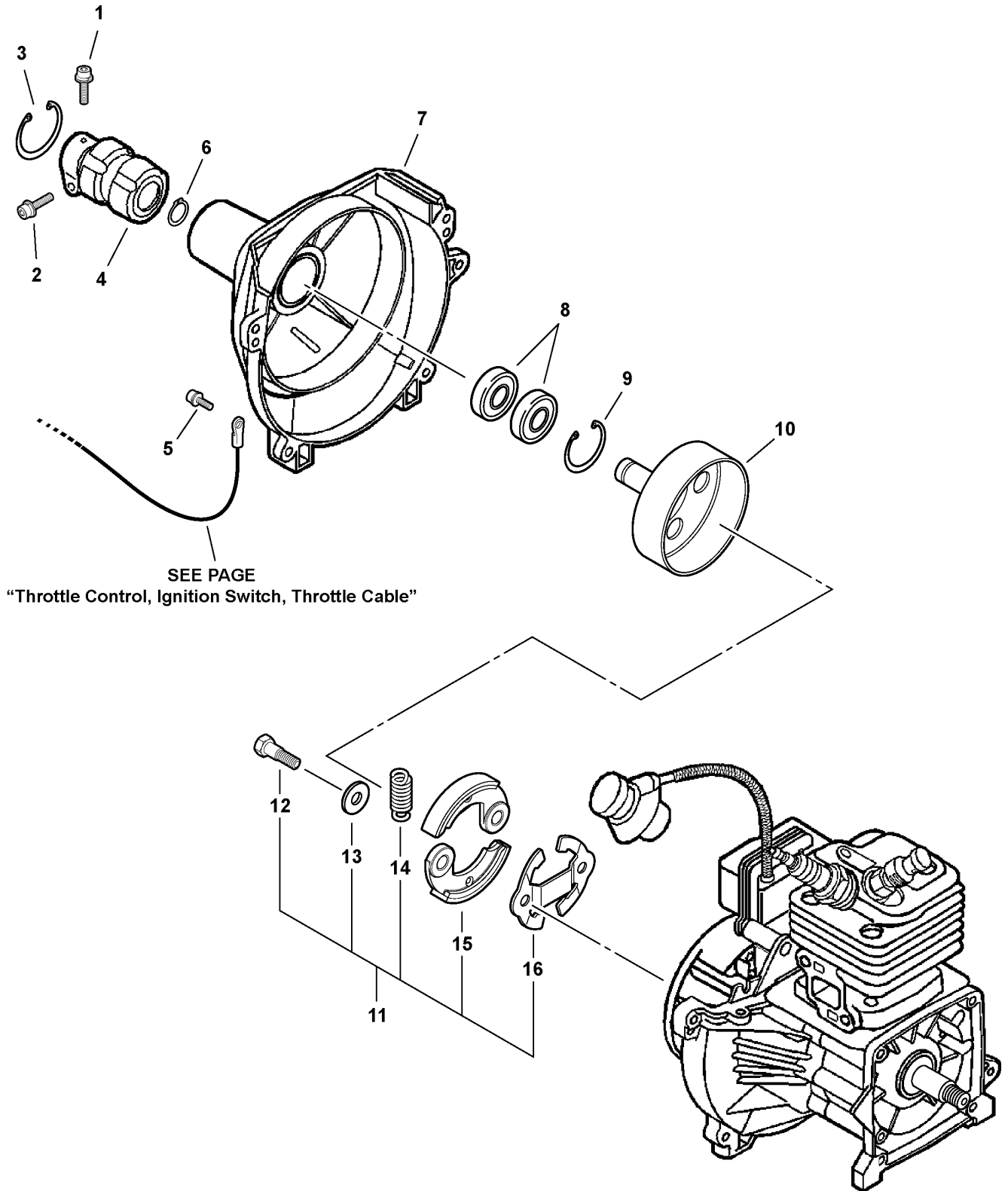
**Footnotes**

**1:** Also Included In GASKET KIT



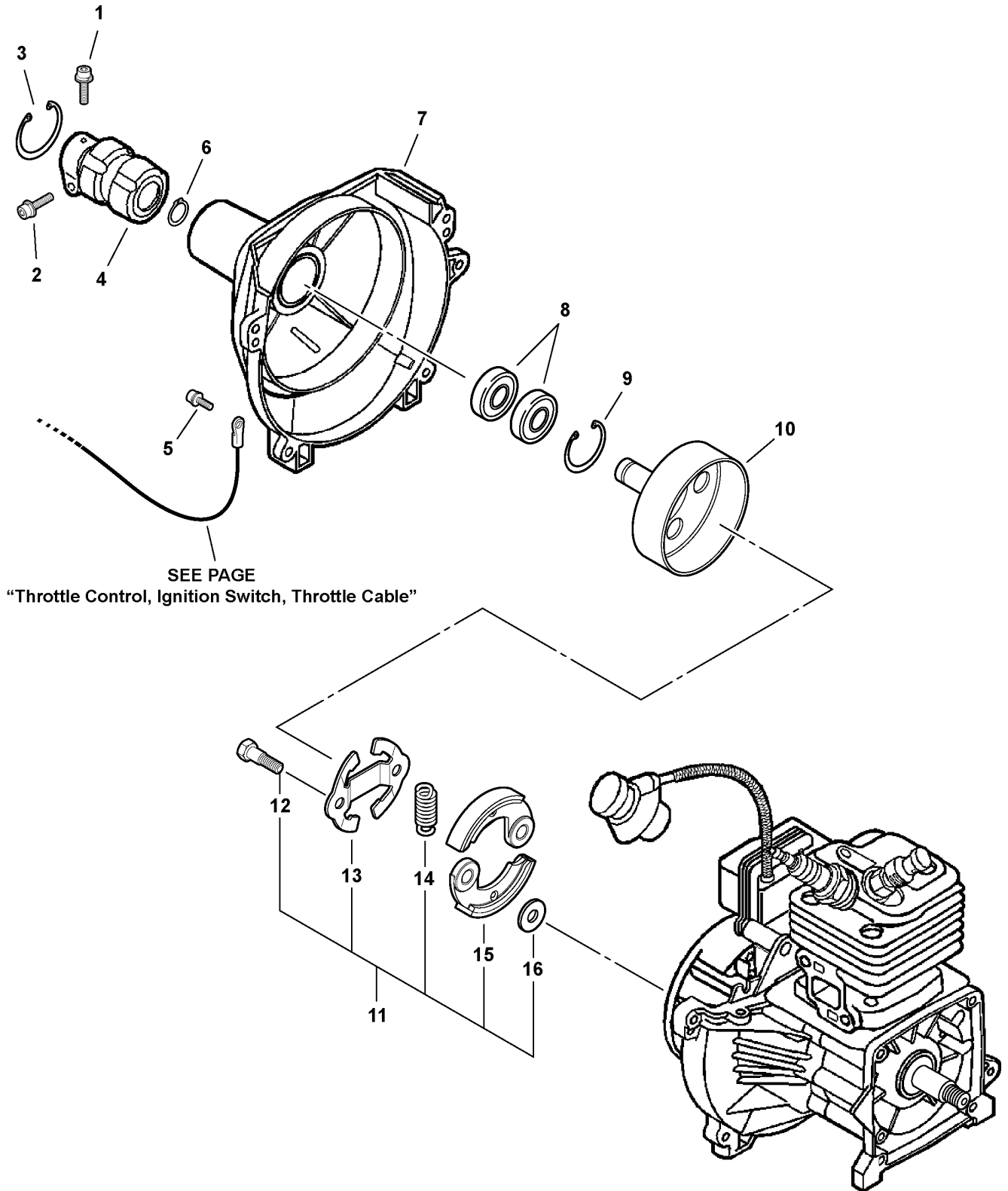
002 0020 00C

ITEM	PART NUMBER	QTY	DESCRIPTION	REMARKS
1	90010605020	2	SCREW 5X20	
2	90010605025	2	SCREW 5X25	
3	A393000050	1	BRACKET, FUEL TANK	
4	A051000190	1	STARTER ASY	INCLUDES ITEMS 5-10
5	17722827030	1	GRIP, STARTER	
6	17723606910	1	SCREW	
7	P022002080	1	SPOOL, STARTER ROPE	
8	17722606310	1	ROPE, STARTER - 3.5X 1000mm	REPOWER BULK OPTION: 99944445000
9	17722006310	1	SPRING, REWIND	
10	17722742030	1	GUIDE, ROPE	
11	90050200008	1	NUT 8	
12	A052000011	1	PAWL ASY	INCLUDES ITEMS 13-15
13	P022002100	1	E-RING	
14	17723440630	1	SPRING, RETURN	
15	17721840630	1	PAWL, STARTER	
16	A350000131	1	TANK, FUEL	
17	13100455530	1	CAP ASY	INCLUDES ITEMS 18-19
18	13101655830	1	GASKET, CAP	
19	13105156030	1	CONNECTOR, CAP	
20	13211555930	1	GROMMET, FUEL	
21	13201053630	1	PIPE, FUEL - 3X6X180mm	REPOWER BULK OPTION: 90015
22	13201326630	1	CLIP	
23	13120519831	1	FILTER, FUEL	
24	43721520760	1	PIPE, RETURN - 3X6X60mm	REPOWER BULK OPTION: 90017
25	V186000080	1	CONNECTOR	
26	13201202960	1	PIPE, VENT - 3X6X120mm	REPOWER BULK OPTION: 90015
27	13201326630	1	CLIP	
28	A356000030	1	VENT ASY	
29	A390000010	1	CUSHION, FUEL TANK	
30	A390000000	1	SEAT, FUEL TANK	
31	90010605012	4	SCREW 5X12	
32	A393000030	1	BRACKET, FUEL TANK	



003 0014 00B

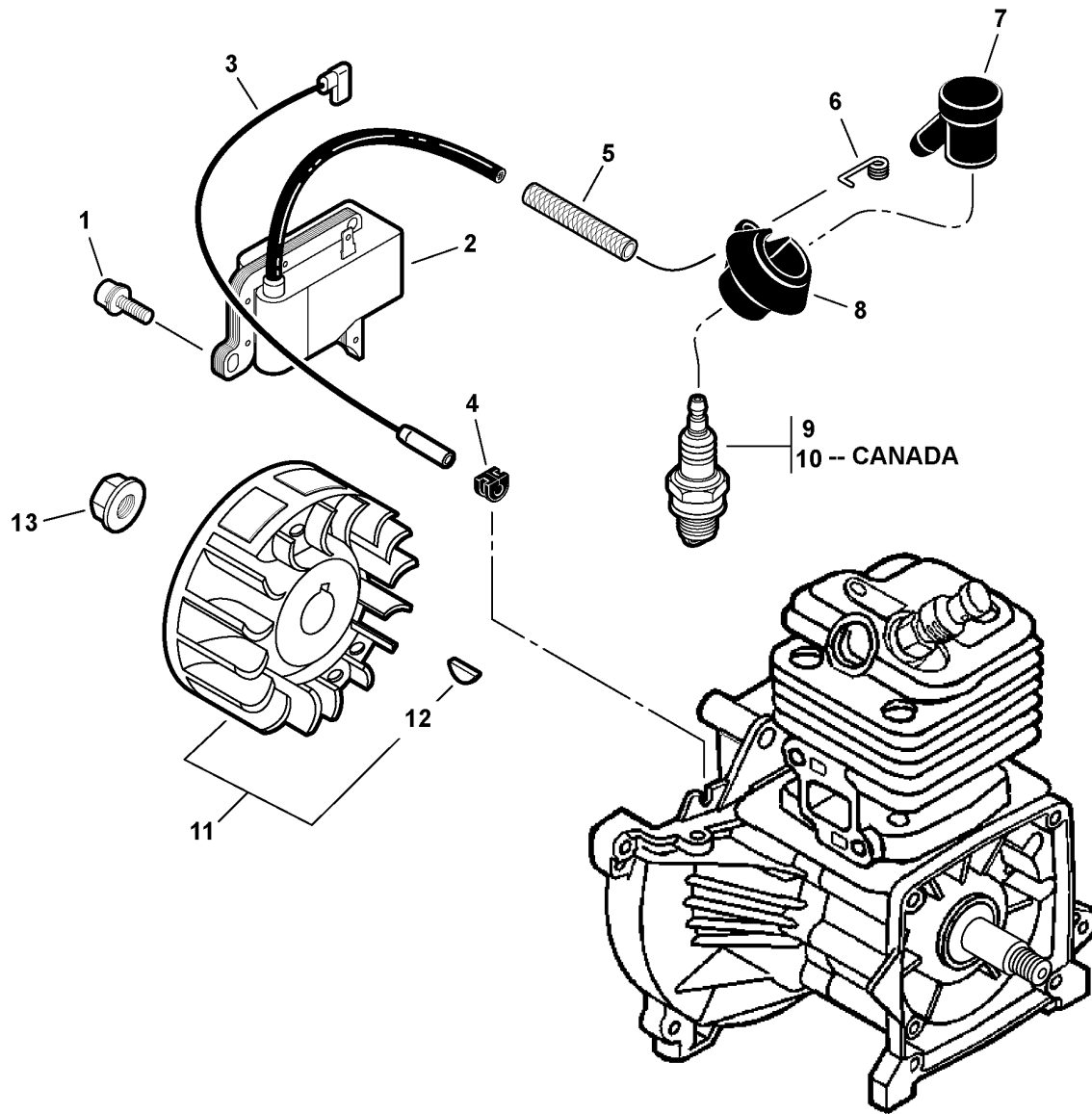
ITEM	PART NUMBER	QTY	DESCRIPTION	REMARKS
1	90016205012	1	SCREW 5X12	
2	90016205028	1	SCREW 5X28	
3	90070200045	1	RING, RETAINING	
4	V420000980	1	CUSHION	
5	90016205020	4	SCREW 5X20	
6	90070100012	1	CIRCLIP 12	
7	A172000150	1	COVER, FAN - ORANGE	
8	90080796001	2	BEARING, BALL - 6001	
9	90070200028	1	CIRCLIP 28	
10	A556000181	1	DRUM, CLUTCH	
11	P021008190	1	CLUTCH ASY	INCLUDES ITEMS 12-16
12	A557000000	2	BOLT, CLUTCH	
13	17504803920	2	WASHER	
14	V451000480	1	SPRING, TENSION	
15	A553000040	2	SHOE, CLUTCH	
16	V453000070	1	PLATE, SPRING	



003 0014 00C

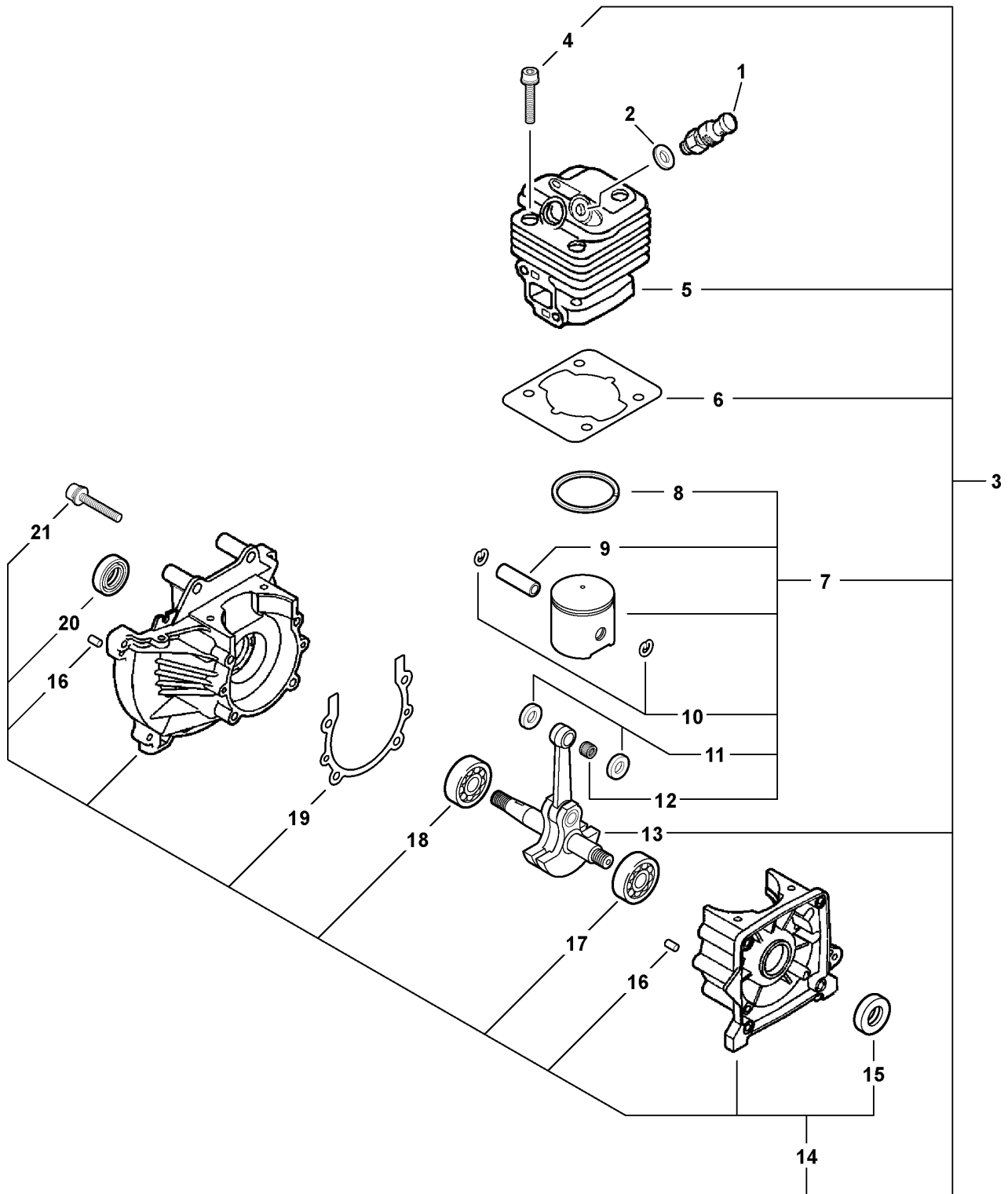


ITEM	PART NUMBER	QTY	DESCRIPTION	REMARKS
1	90016205012	1	SCREW 5X12	
2	90016205028	1	SCREW 5X28	
3	90070200045	1	RING, RETAINING	
4	V420000980	1	CUSHION	
5	90016205020	4	SCREW 5X20	
6	90070100012	1	CIRCLIP 12	
7	A172000150	1	COVER, FAN - ORANGE	
8	90080796001	2	BEARING, BALL - 6001	
9	90070200028	1	CIRCLIP 28	
10	A556000181	1	DRUM, CLUTCH	
11	P021016610	1	CLUTCH ASY	INCLUDES ITEMS 12-16
12	A557000000	2	BOLT, CLUTCH	
13	V453000100	1	PLATE, SPRING	
14	V451000480	1	SPRING, TENSION	
15	A553000040	2	SHOE, CLUTCH	
16	17504903920	2	WASHER	



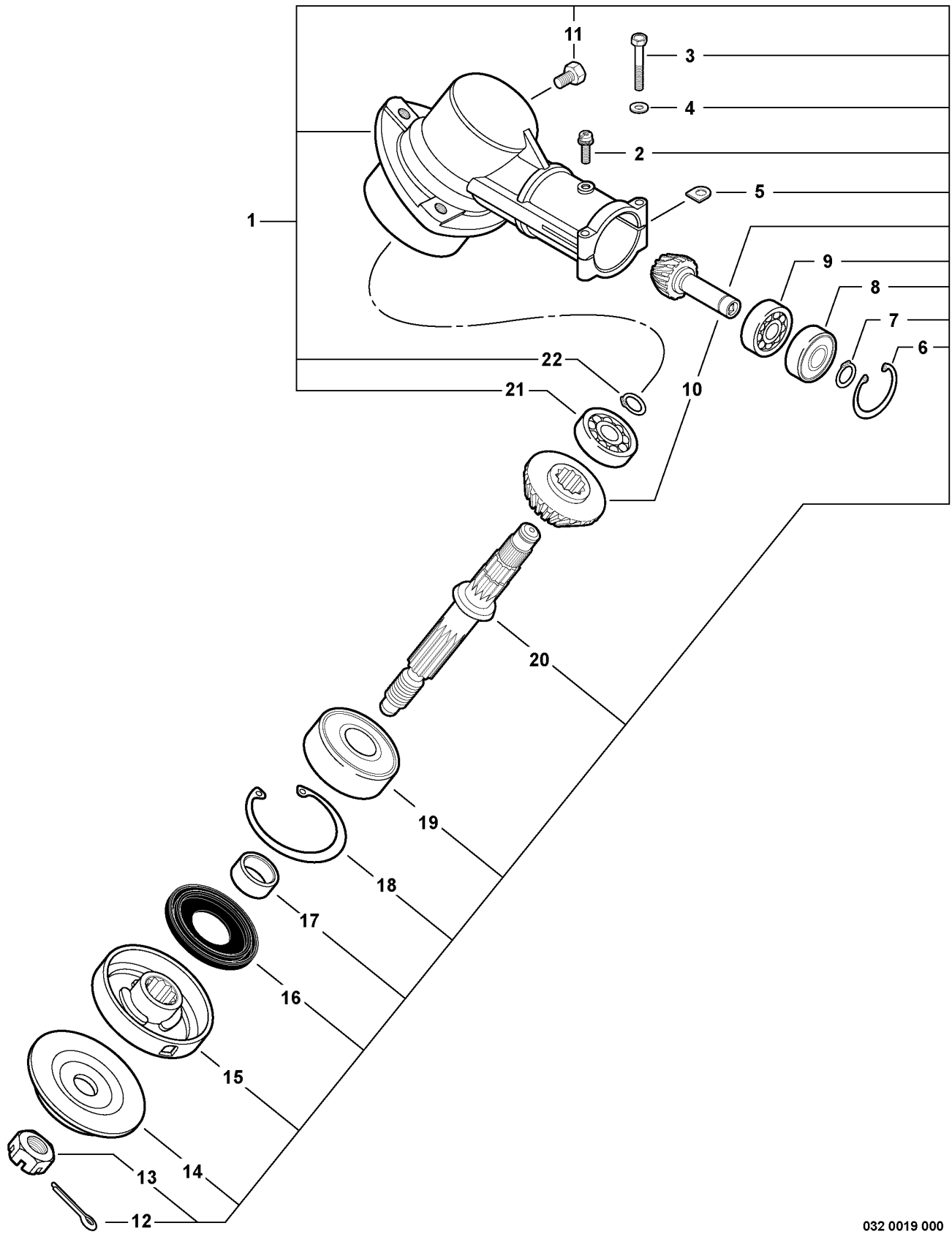
007 0037 00B

ITEM	PART NUMBER	QTY	DESCRIPTION	REMARKS
1	90016205020	2	SCREW 5X20	
2	A411000050	1	COIL, IGNITION	
3	16201055630	1	LEAD, GROUND	
4	15611404920	1	GROMMET	
5	V475001610	1	TUBE, INSULATOR	
6	A426000000	1	TERMINAL, SPARK PLUG CAP	
7	A427000000	1	CAP, SPARK PLUG	
8	V141000020	1	COVER, DUST	
9	15901010630	1	SPARK PLUG -- BPM-7A	
10	15901010230	1	SPARK PLUG -- BPMR-7A	CANADA MODELS
11	P021005911	1	FLYWHEEL KIT	INCLUDES ITEM 12
12	90032303014	1	WOODRUFF KEY	
13	90051900010	1	FLANGE NUT 10	



SB1097 0000 000

ITEM	PART NUMBER	QTY	DESCRIPTION	REMARKS
1	A014000000	1	DECOMPRESSION ASY	
2	15902537530	1	WASHER	
3	SB1097	1	SHORT BLOCK	INCLUDES ITEMS 4-21
4	90016205020	4	SCREW 5X20	
5	A130000880	1	CYLINDER	
6	V100000040	1	GASKET, CYLINDER	
7	P021014260	1	PISTON KIT	INCLUDES ITEMS 8-12
8	10001110530	1	RING, PISTON	
9	V608000000	1	PIN, PISTON	
10	V580000010	2	CIRCLIP, PISTON PIN	
11	V307000060	2	WASHER 10	
12	10001212331	1	BEARING, NEEDLE	
13	A011000120	1	CRANKSHAFT ASY	
14	P021002471	1	CRANKCASE KIT	INCLUDES ITEMS 15-21
15	10021305530	1	OIL SEAL	
16	10021503930	4	DOWEL PIN	
17	9403536201	1	BEARING, BALL - 6201	
18	90081036202	1	BEARING, BALL	
19	V102000001	1	GASKET, CRANKCASE	
20	10021300310	1	OIL SEAL	
21	90016205035	4	SCREW 5X35	



032 0019 000

ITEM	PART NUMBER	QTY	DESCRIPTION	REMARKS
1	61040024533	1	GEAR CASE ASY	INCLUDES ITEMS 2-22
2	90024205010	1	SCREW 5X10	
3	90010005040	2	BOLT 5X40	
4	90060000005	2	WASHER	
5	61023904130	2	WASHER, SHIM	
6	90070200028	1	CIRCLIP 28	
7	90070600012	1	CIRCLIP 12	
8	90080796001	1	BEARING, BALL - 6001	
9	90080036001	1	BEARING, BALL - 6001	
10	61030040430	1	BEVEL GEAR SET	
11	61043450031	1	BOLT 8X8	
12	90030020022	1	SPLIT PIN 2X22	BULK OPTION: 89850201130 -10 PER PACKAGE
13	90051100010	1	NUT 10 - LEFT HANDED	
14	C535000150	1	PLATE, ADAPTER - LOWER	
15	61031307132	1	PLATE, ADAPTER - UPPER	
16	61041307130	1	OIL SEAL	
17	61031507130	1	SPACER	
18	90070200032	1	CIRCLIP 32	
19	90081006201	1	BEARING, BALL - 6201	
20	61031041030	1	SHAFT, GEAR	
21	90080036000	1	BEARING, BALL - 609	
22	90070600012	1	CIRCLIP 12	



69500121431

10", 80 Tooth Brush Blade - 25mm Arbor  
 Hoja de 80 Dientes para Maleza de 25 cm - Árbol de 25mm  
 Lame à 80 Dents de Débroussaillage de 25 cm - Arbre de 25 mm

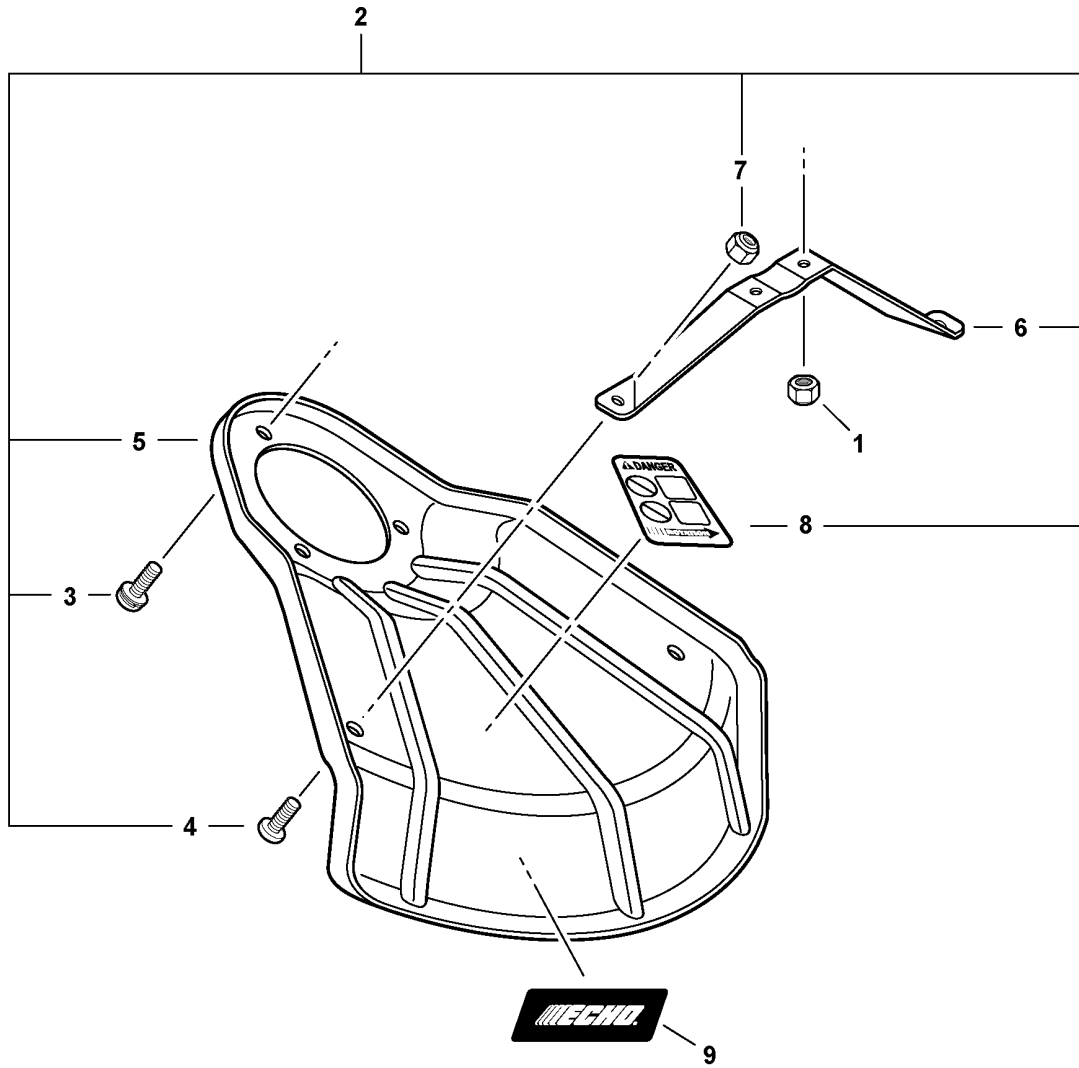
900 0012 000



---

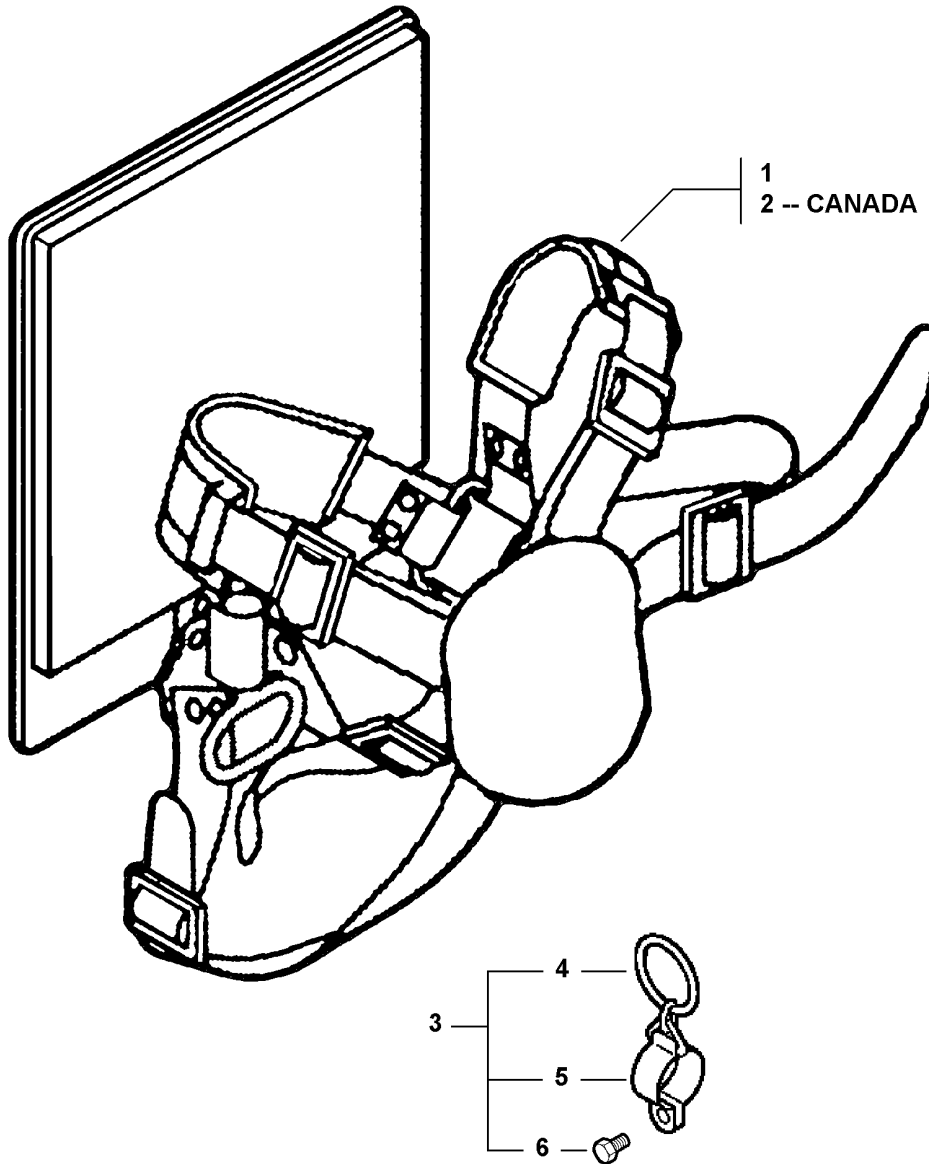
<u>ITEM</u>	<u>PART NUMBER</u>	<u>QTY</u>	<u>DESCRIPTION</u>	<u>REMARKS</u>
	69500121431	1	10", 80-TOOTH BLADE - 25mm ARBOR	

---



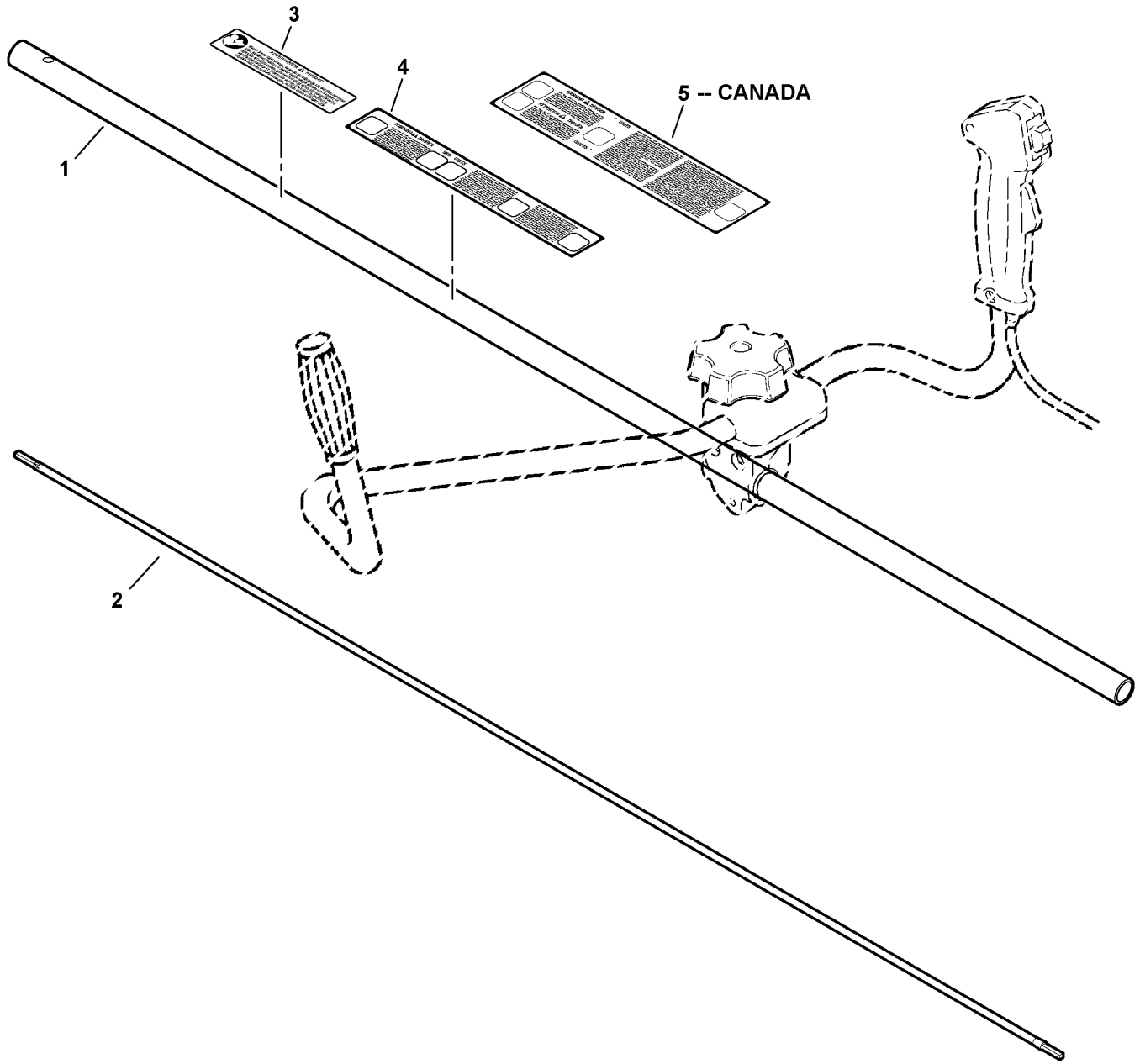
033 0003 000

ITEM	PART NUMBER	QTY	DESCRIPTION	REMARKS
1	90056250005	2	LOCKNUT	
2	69900023532	1	SHIELD ASY - METAL	INCLUDES ITEMS 3-8
3	90024205010	3	SCREW 5X10	
4	90022005008	2	SCREW 5X8	
5	C550000200	1	SHIELD	
6	69901523532	1	BRACKET, SHIELD	
7	90056250005	2	LOCKNUT	
8	89016841031	1	LABEL, CAUTION	
9	X502000320	1	LABEL, ECHO	



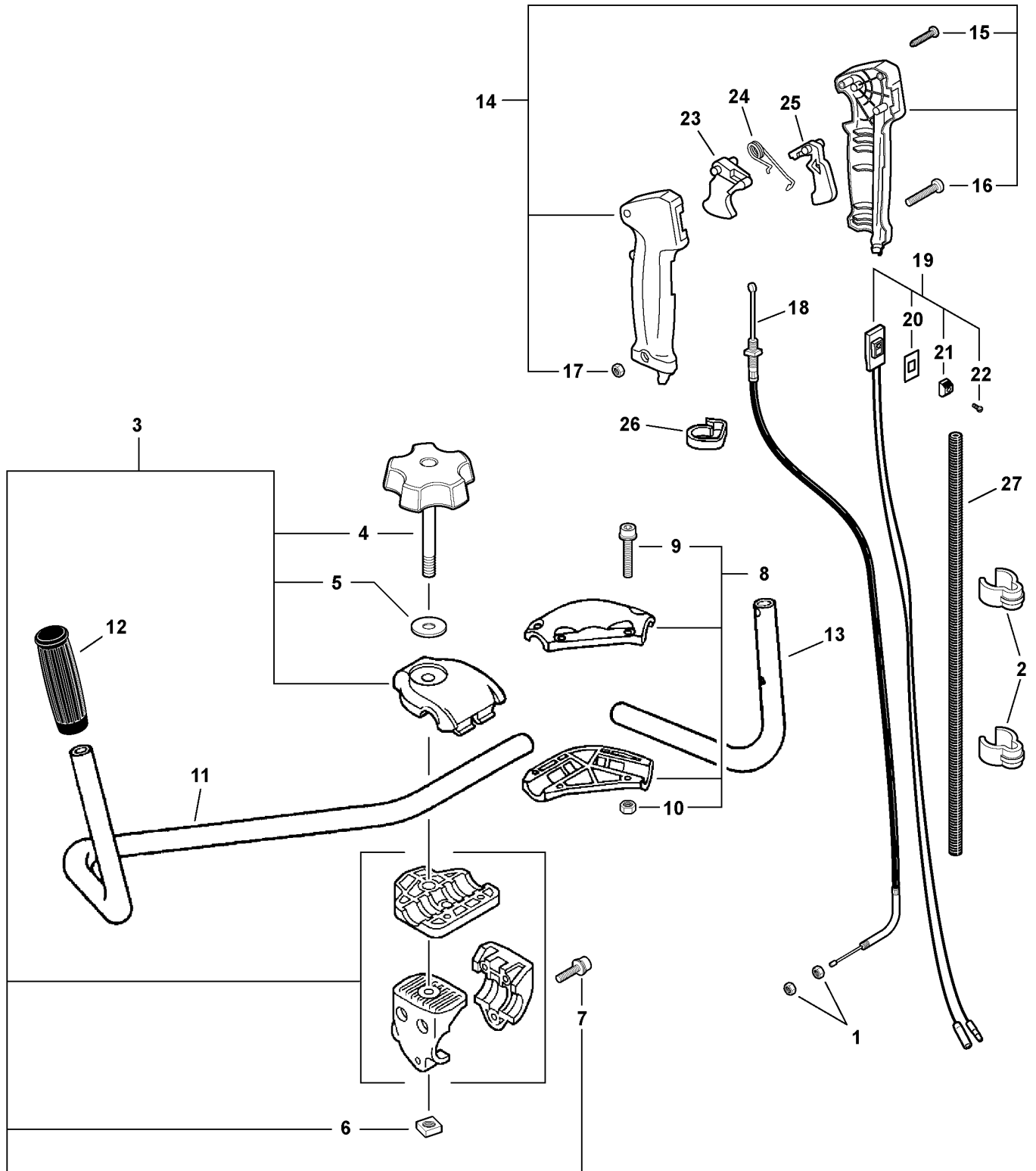
700 0005 000

ITEM	PART NUMBER	QTY	DESCRIPTION	REMARKS
1	30100051831	1	HARNESS ASY	
2	30100049731	1	HARNESS ASY	CANADA MODELS
3	P021012660	1	HOOK ASY	INCLUDES ITEMS 4-6
4	30101505330	1	RING	
5	30121004630	1	CLAMP	
6	911905012	1	SCREW 5X12	



031 0025 0BU

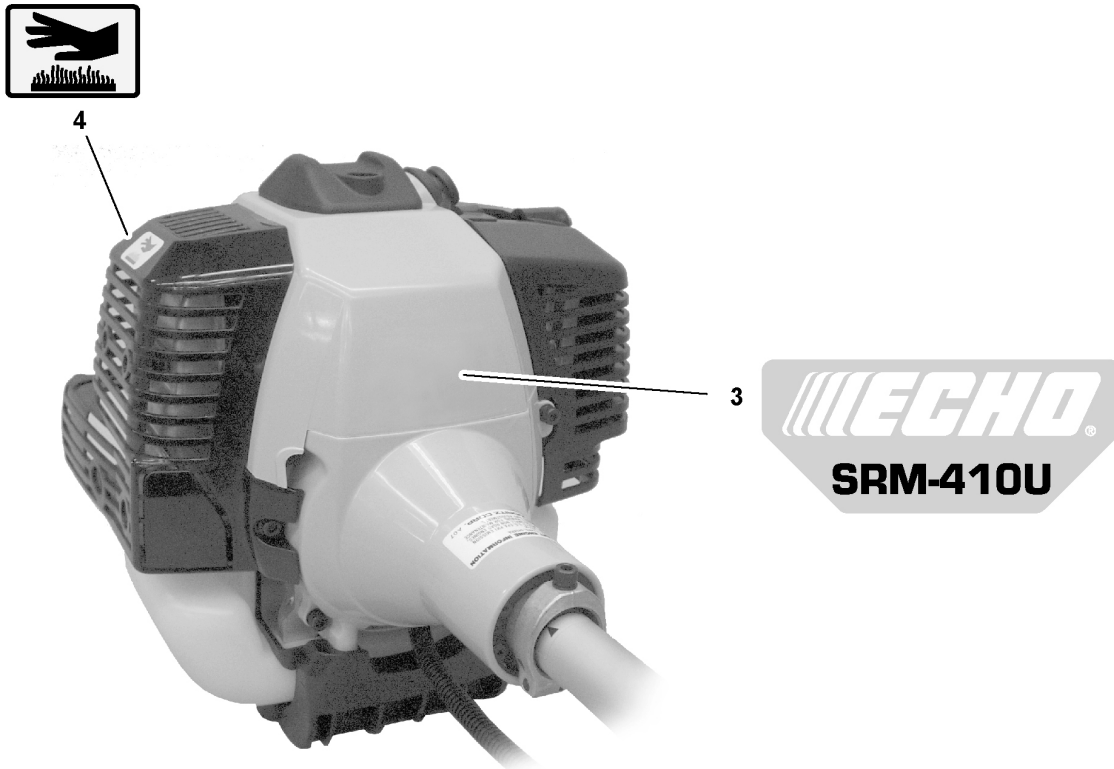
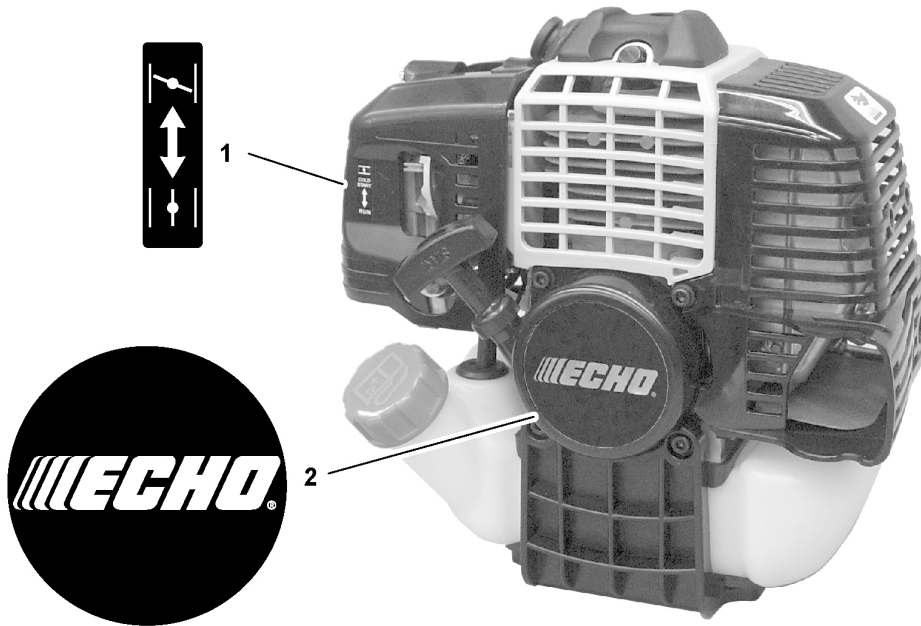
ITEM	PART NUMBER	QTY	DESCRIPTION	REMARKS
1	C050000050	1	PIPE, MAIN	
2	61001149931	1	DRIVESHAFT - SOLID	
3	89017751830	1	LABEL - CAUTION -- SPANISH	
4	89016054130	1	LABEL - CAUTION	
5	89031749030	1	LABEL - CAUTION	CANADA MODELS



030 0044 00U



ITEM	PART NUMBER	QTY	DESCRIPTION	REMARKS
1	90050200006	2	NUT 6	
2	22492452930	2	CLIP	
3	P021002762	1	HANDLE BRACKET ASY	INCLUDES ITEMS 4-7
4	V299000110	1	KNOB	
5	60501454230	1	WASHER	
6	90056550008	1	NUT	
7	90016205030	2	SCREW 5X30	
8	P021012781	1	HANDLE BRACKET ASY	INCLUDES ITEMS 9-10
9	90016205022	4	SCREW 5X22	
10	90050000005	4	NUT 5	
11	35101052931	1	HANDLE, FRONT - LEFT	
12	35131122431	1	GRIP, HANDLE	
13	35121452931	1	HANDLE, FRONT - RIGHT	
14	35110247530	1	THROTTLE CONTROL ASY	INCLUDES ITEMS 15-17
15	90024603025	4	SCREW 3X25	
16	90022005030	1	SCREW 5X30	
17	90050000005	1	NUT 5	
18	V430000340	1	CABLE, THROTTLE	
19	A440000240	1	SWITCH, IGNITION	INCLUDES ITEMS 20-22
20	89015712330	1	LABEL, SWITCH	
21	16341049231	1	KNOB, SWITCH - ORANGE	
22	9154503010	1	SCREW 3X10	
23	17801005960	1	TRIGGER, THROTTLE	
24	17801335631	1	SPRING, THROTTLE LOCK	
25	17801205960	1	LOCKOUT, THROTTLE	
26	15911209961	1	CLIP	
27	17812743230	1	TUBE	



100 0096 000

**SRM-410U Brushcutter**

**Labels**

ITEM	PART NUMBER	QTY	DESCRIPTION	REMARKS
1	89033252730	1	LABEL - CHOKE	
2	X502000460	1	LABEL - ECHO	
3	X547001450	1	LABEL - MODEL -- SRM-410U	
4	X505002310	1	LABEL - CAUTION -- HOT	

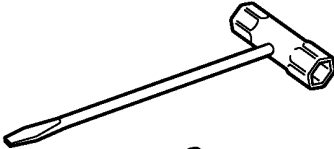
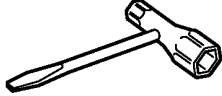
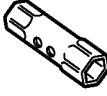








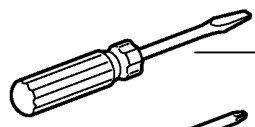
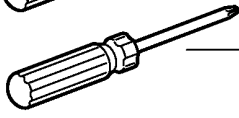

<b>Use Gasket Kit</b>	<b>Contains:</b>	<b>Service Number</b>	<b>Description</b>
P021003370		V100000040	GASKET, CYLINDER
		V102000001	GASKET, CRANKCASE
		V103000070	GASKET, INTAKE
		V103000080	GASKET, INTAKE
		V104000240	SHIELD, EXHAUST
		14586642031	GASKET, EXHAUST

300 0029 000

---

<u>ITEM</u>	<u>PART NUMBER</u>	<u>QTY</u>	<u>DESCRIPTION</u>	<u>REMARKS</u>
1	P021003371	1	GASKET KIT	

---

	<b>SOCKET WRENCH W/SCREWDRIVER (Also Removes Spark Plugs)</b>
	1 - 89541010630 -- 17X19mm
	2 - X602000020 -- 17X19mm
	3 - 89541039131 -- 10X19mm
	4 - 89541006960 -- 13X19mm
	<b>SOCKET WRENCH</b>
	5 - X602000031 -- 17X14.5mm
	<b>LOCKING ROD</b>
	6 - 89751801131 -- 5X120mm
	<b>OPEN END WRENCH</b>
	7 - 89511200330 -- 8X10mm
	8 - 89512220960 -- 17X19mm
	9 - 89501505260 -- 10mm
	<b>HEX BAR</b>
	10 - 89541220960 -- 10mm
	<b>HEX KEY</b>
	11 - 89561203430 -- 3mm
	12 - 89561000130 -- 4mm
	13 - 89561100330 -- 5mm
	<b>TORX KEY</b>
	14 - X605000060 -- T27
	<b>SCREWDRIVER</b>
	15 - 89581100130 -- 125mm SLOTTED
	16 - 89581203930 -- 50mm PHILLIPS
	<b>CHUCK KEY</b>
	17 - 89757005560

**Consult Your Operators Manual For The Tools Used With Your Model**

200 0002 000

ITEM	PART NUMBER	QTY	DESCRIPTION	REMARKS
1	89541010630	1	SOCKET WRENCH/SCREWDRIVER	17X19mm
2	X602000020	1	SOCKET WRENCH/SCREWDRIVER	17X19mm
3	89541039131	1	SOCKET WRENCH/SCREWDRIVER	10X19mm
4	89541006960	1	SOCKET WRENCH/SCREWDRIVER	13X19mm
5	X602000031	1	SOCKET WRENCH	17X14.5mm
6	89751801131	1	LOCKING ROD	5X120mm
7	89511200330	1	OPEN END WRENCH	8X10mm
8	89512220960	1	OPEN END WRENCH	17X19mm
9	89501505260	1	OPEN END WRENCH	10mm
10	89541220960	1	HEX BAR	10mm
11	89561203430	1	HEX KEY	3mm
12	89561000130	1	HEX KEY	4mm
13	89561100330	1	HEX KEY	5mm
14	X605000060	1	TORX KEY	T27
15	89581100130	1	SCREWDRIVER	125mm SLOT HEAD
16	89581203930	1	SCREWDRIVER	50mm CROSS HEAD
17	89757005560	1	CHUCK KEY	



# Part Number Index

Click The Page Number After Any Part Number To View The Diagram Containing That Part.

Part Number	Page	Part Number	Page	Part Number	Page
-----	7, 9	89033252730	35	A313000300	11
10001110530	21	89501505260	39	A320000091	5
10001212331	21	89511200330	39	A350000131	13
10021300310	21	89512220960	39	A356000030	13
10021305530	21	89541006960	39	A390000000	13
10021503930	21	89541010630	39	A390000010	13
12311440630	9	89541039131	39	A393000030	13
12313440030	9	89541220960	39	A393000050	13
12313905560	9	89561000130	39	A411000050	19
12314444330	9	89561100330	39	A426000000	19
12314954230	9	89561203430	39	A427000000	19
12317245130	9	89581100130	39	A440000240	33
12317307930	9	89581203930	39	A553000040	15, 17
12318139130	7	89751801131	39	A556000181	15, 17
13100455530	13	89757005560	39	A557000000	15, 17
13101655830	13	90010005040	23	C050000050	31
13105156030	13	90010505055	7	C535000150	23
13120519831	13	90010506060	11	C550000200	27
13201053630	13	90010605012	5, 13	P003000180	9
13201202960	13	90010605020	5, 13	P003000650	9
13201239331	7	90010605025	7, 13	P003000660	9
13201326630	13	90016205012	11, 15, 17	P003001130	9
13211555930	13	90016205020	15, 17, 19, 21	P003001490	9
14586240630	11	90016205022	33	P003001500	9
14586642031	11	90016205028	15, 17	P021002471	21
15611404920	19	90016205030	33	P021002762	33
15901010230	19	90016205035	21	P021003371	37
15901010630	19	90022005008	27	P021005911	19
15902537530	21	90022005030	33	P021008190	15
15911209961	33	90024204010	11	P021009590	7
16201055630	19	90024205010	23, 27	P021012110	7
16341049231	33	90024603025	33	P021012660	29
17504803920	15	90030020022	23	P021012781	33
17504903920	17	90032303014	19	P021014260	21
17721840630	13	90050000005	33	P021016610	17
17722006310	13	90050200006	33	P022002080	13
17722606310	13	90050200008	13	P022002100	13
17722742030	13	90051100010	23	SB1097	21
17722827030	13	90051900010	19	V100000040	21
17723440630	13	90056250005	27	V102000001	21
17723606910	13	90056550008	33	V1030000070	7
17801005960	33	90060000005	23	V103000080	7
17801205960	33	90070100012	15, 17	V104000241	11
17801335631	33	90070200028	15, 17, 23	V141000020	19
17812743230	33	90070200032	23	V150000550	11
22492452930	33	90070200045	15, 17	V186000080	13
30100049731	29	90070600012	23	V253000100	7
30100051831	29	90080036000	23	V299000110	33
30101505330	29	90080036001	23	V307000060	21
30121004630	29	90080796001	15, 17, 23	V353000020	5
35101052931	33	90081006201	23	V420000980	15, 17
35110247530	33	90081036202	21	V430000340	33
35121452931	33	911905012	29	V451000480	15, 17
35131122431	33	9154503010	33	V453000070	15
43721520760	13	9403536201	21	V453000100	17
60501454230	33	A011000120	21	V471001560	7
61001149931	31	A014000000	21	V475001610	19
61023904130	23	A021001171	9	V580000010	21
61030040430	23	A051000190	13	V608000000	21
61031041030	23	A052000011	13	X502000320	27
61031307132	23	A128000060	7	X502000460	35
61031507130	23	A130000880	21	X505002310	35
61040024533	23	A160000241	5	X547001450	35
61041307130	23	A162000020	5	X602000020	39
61043450031	23	A172000150	15, 17	X602000031	39
69500121431	25	A200000060	7	X605000060	39
69900023532	27	A226000360	7		
69901523532	27	A232000390	7		
89015712330	33	A239000050	7		
89016054130	31	A244000010	7		
89016841031	27	A259000000	9		
89017751830	31	A300000231	11		
89031749030	31	A313000290	11		





# Part Description Index

Click The Page Number After Any Part Description To View The Diagram Containing That Part.

<p><b>1</b></p> <p>10", 80-TOOTH BLADE - 25mm ARBOR.....25</p> <p><b>A</b></p> <p>AIR CLEANER COVER ASY.....7</p> <p><b>B</b></p> <p>BEARING, BALL.....21          BEARING, BALL - 6001.....15, 17, 23          BEARING, BALL - 609.....23          BEARING, BALL - 6201.....21, 23          BEARING, NEEDLE.....21          BEVEL GEAR SET.....23          BODY, CARBURETOR.....9          BOLT 5X40.....23          BOLT 8X8.....23          BOLT, CLUTCH.....15, 17          BRACKET, CABLE.....9          BRACKET, FUEL TANK.....13          BRACKET, SHIELD.....27</p> <p><b>C</b></p> <p>CABLE, THROTTLE.....33          CAP ASY.....13          CAP, LIMITER.....9          CAP, SPARK PLUG.....19          CARBURETOR.....7          CARBURETOR -- WYK-226A.....9          CASE, AIR CLEANER.....7          CHUCK KEY.....39          CIRCLIP 12.....15, 17, 23          CIRCLIP 28.....15, 17, 23          CIRCLIP 32.....23          CIRCLIP, PISTON PIN.....21          CLAMP.....29          CLIP.....13, 33          CLIP, SWIVEL.....9          CLUTCH ASY.....15, 17          COIL, IGNITION.....19          COLLAR 5.....5          CONNECTOR.....13          CONNECTOR, CAP.....13          COVER, AIR CLEANER.....7          COVER, DUST.....19          COVER, ENGINE - ORANGE.....5          COVER, EXHAUST.....5          COVER, FAN - ORANGE.....15, 17          COVER, PRIMER PUMP.....9          CRANKCASE KIT.....21          CRANKSHAFT ASY.....21          CUSHION.....15, 17          CUSHION, FUEL TANK.....13          CYLINDER.....21</p> <p><b>D</b></p> <p>DECOMPRESSION ASY.....21          DIAPHRAGM, PUMP.....9          DOWEL PIN.....21          DRIVESHAFT - SOLID.....31          DRUM, CLUTCH.....15, 17</p>	<p>E-RING.....13</p> <p><b>F</b></p> <p>FILTER, AIR.....7          FILTER, FUEL.....13          FLANGE NUT 10.....19          FLYWHEEL KIT.....19</p> <p><b>G</b></p> <p>GASKET KIT.....37          GASKET, CAP.....13          GASKET, CRANKCASE.....21          GASKET, CYLINDER.....21          GASKET, EXHAUST.....11          GASKET, INTAKE.....7          GASKET, METERING DIAPHRAGM.....9          GASKET, PUMP.....9          GASKET/DIAPHRAGM KIT.....9          GEAR CASE ASY.....23          GRIP, HANDLE.....33          GRIP, STARTER.....13          GROMMET.....19          GROMMET, FUEL.....13          GUARD, TOP.....5          GUIDE, EXHAUST - INNER.....11          GUIDE, EXHAUST - OUTER.....11          GUIDE, ROPE.....13</p> <p><b>H</b></p> <p>HANDLE BRACKET ASY.....33          HANDLE, FRONT - LEFT.....33          HANDLE, FRONT - RIGHT.....33          HARNESS ASY.....29          HEX BAR.....39          HEX KEY.....39          HOOK ASY.....29</p> <p><b>I</b></p> <p>INSERT.....7          INSULATOR, INTAKE.....7</p> <p><b>K</b></p> <p>KNOB.....33          KNOB, SWITCH - ORANGE.....33</p> <p><b>L</b></p> <p>LABEL - CAUTION.....31          LABEL - CAUTION -- HOT.....35          LABEL - CAUTION -- SPANISH.....31          LABEL - CHOKE.....35          LABEL - ECHO.....35          LABEL - MODEL -- SRM-410U.....35          LABEL, CAUTION.....27          LABEL, ECHO.....27          LABEL, SWITCH.....33          LEAD, GROUND.....19          LEVER, METERING.....9          LOCKING ROD.....39          LOCKNUT.....27          LOCKOUT, THROTTLE.....33</p>	<p><b>M</b></p> <p>METERING, DIAPHRAGM.....9          MUFFLER.....11</p> <p><b>N</b></p> <p>NEEDLE - HIGH SPEED.....9          NUT.....33          NUT 10 - LEFT HANDED.....23          NUT 5.....33          NUT 6.....33          NUT 8.....13</p> <p><b>O</b></p> <p>OIL SEAL.....21, 23          OPEN END WRENCH.....39</p> <p><b>P</b></p> <p>PACKING, RING.....9          PAWL ASY.....13          PAWL, STARTER.....13          PIN, METERING LEVER.....9          PIN, PISTON.....21          PIPE, FUEL - 3X6X180mm.....13          PIPE, INTAKE - 3X5X80mm.....7          PIPE, MAIN.....31          PIPE, RETURN - 3X6X60mm.....13          PIPE, VENT - 3X6X120mm.....13          PIPE, VENT - GROMMET.....7          PISTON KIT.....21          PLATE, ADAPTER - LOWER.....23          PLATE, ADAPTER - UPPER.....23          PLATE, EYE.....11          PLATE, PREVENT.....7          PLATE, SPRING.....15, 17          PUMP BODY ASY.....9          PUMP, PURGE.....7</p> <p><b>R</b></p> <p>REPAIR KIT.....9          RING.....29          RING, PISTON.....21          RING, RETAINING.....15, 17          ROPE, STARTER - 3.5X 1000mm.....13</p> <p><b>S</b></p> <p>SCREEN, INLET.....9          SCREEN, MUFFLER.....11          SCREW.....13          SCREW 3X10.....33          SCREW 3X25.....33          SCREW 4X10.....11          SCREW 5X10.....23, 27          SCREW 5X12.....5, 11, 13, 15, 17, 29          SCREW 5X20.....5, 7, 13, 15, 17, 19, 21          SCREW 5X22.....33          SCREW 5X25.....7, 13          SCREW 5X28.....15, 17          SCREW 5X30.....33          SCREW 5X35.....21          SCREW 5X55.....7          SCREW 5X8.....27          SCREW 6X60.....11</p>
---	---	---



# Part Description Index (continued)

SCREW, CABLE BRACKET.....9  
 SCREW, IDLE ADJUST.....9  
 SCREW, METERING LEVER PIN.....9  
 SCREW, PUMP COVER.....9  
 SCREWDRIVER.....39  
 SEAT, FUEL TANK.....13  
 SHAFT, GEAR.....23  
 SHIELD.....27  
 SHIELD ASY - METAL.....27  
 SHIELD, DEBRIS.....7  
 SHIELD, EXHAUST.....11  
 SHOE, CLUTCH.....15, 17  
 SHORT BLOCK.....21  
 SOCKET WRENCH.....39  
 SOCKET WRENCH/SCREWDRIVER.....39  
 SPACER.....23  
 SPARK PLUG -- BPM-7A.....19  
 SPARK PLUG -- BPMR-7A.....19  
 SPLIT PIN 2X22.....23  
 SPOOL, STARTER ROPE.....13  
 SPRING, METERING LEVER.....9  
 SPRING, RETURN.....13  
 SPRING, REWIND.....13  
 SPRING, TENSION.....15, 17  
 SPRING, THROTTLE LOCK.....33  
 STARTER ASY.....13  
 SWITCH, IGNITION.....33  
 SWIVEL.....9

## T

TANK, FUEL.....13  
 TERMINAL, SPARK PLUG CAP.....19  
 THROTTLE CONTROL ASY.....33  
 THROTTLE VALVE ASY.....9  
 TORX KEY.....39  
 TRIGGER, THROTTLE.....33  
 TUBE.....33  
 TUBE, INSULATOR.....19

## V

VALVE, INLET NEEDLE.....9  
 VENT ASY.....13

## W

WASHER.....9, 15, 17, 21, 23, 33  
 WASHER 10.....21  
 WASHER, SHIM.....23  
 WOODRUFF KEY.....19

## **NOTES**



**ECHO, INCORPORATED**

400 Oakwood Road  
Lake Zurich, IL 60047 USA

[WWW.ECHO-USA.COM](http://WWW.ECHO-USA.COM)

---