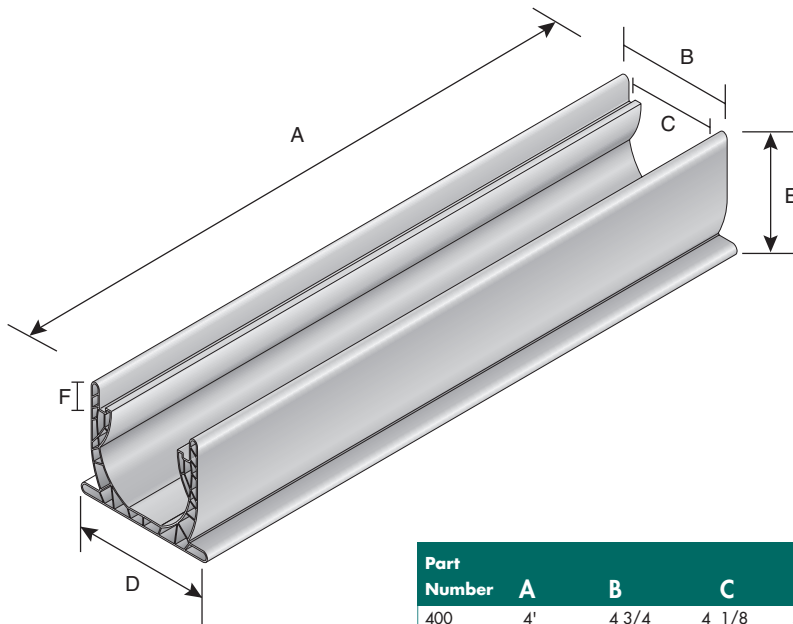


Spee-D Channel Drain



Dimension Key

- A: Length of channel
- B: Outer width of top of channel
- C: Inside width of top of channel
- D: Width of bottom of channel
- E: Height of channel
- F: Height of grate lip
- G: Height from bottom of outlet to top of channel
- H: End of channel to center of flow
- I: Weight

Part Number	A	B	C	D	E	F	G	H	I
400	4'	4 3/4	4 1/8	5 3/4	3 3/4	3/4	N/A	N/A	4.83
400-10	10'	4 3/4	4 1/8	5 3/4	3 3/4	3/4	N/A	N/A	1.1 per ft.
234	2'	4 3/4	4 1/8	5 3/4	3 3/4	3/4	4 1/2	3 3/4	2.67

Load Recommendation Guide



Class A

- Loads of 1-60 psi.
- Recommended for pedestrians, bicycles and wheel chair traffic.



Class B

- Loads of 61-175 psi.
- Recommended for medium-duty pneumatic tire traffic, autos and light trucks at speeds less than 20 m.p.h.

Note: Some installations may require a concrete collar to meet load rating. Loads are based on encasing product in concrete. Product must be installed using NDS instructions.