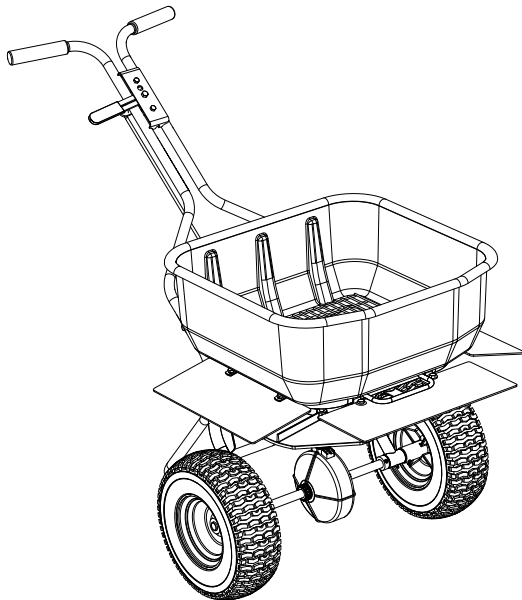


Owner / Operator's Manual

This Manual Must Be Read Before Operating The Equipment

SNOWEX[®]

LEADERS IN ICE CONTROL



SP-85

Serial No. PD-102588 and higher

SP-85SS

Serial No. PE-100800 and higher

TRYNEX[®]
INTERNATIONAL

CUSTOMER COPY

Madison Heights, Michigan 48071
800-SALTERS
www.snowexproducts.com

Table of Contents



General Information	3
Introduction	4
Safety	5
Assembly Instructions.....	6-7
Operating the Spreader.....	8
Maintenance	9
Troubleshooting	10
Warranty	11
Spreader Views	
Model # SP-85 / SP-85SS.....	12-13
Hopper Assembly Parts Breakdown	
Model # SP-85 / SP-85SS.....	14-15
Deflector Assembly Parts Breakdown	
Model # SP-85 / SP-85SS.....	16-17
Axle Assembly Parts Breakdown	
Model # SP-85.....	18-19
Handle Assembly Parts Breakdown	
Model # SP-85.....	20-21
Axle Assembly Parts Breakdown	
Model # SP-85SS	22-23
Handle Assembly Parts Breakdown	
Model # SP-85SS	24-25
Notes	26-27

Have a question or need assistance?

SnowEx Customer Care

(800) 725-8377

or (248) 586-3500

Monday through Friday 8:00 AM to 4:30 PM EST

Fax: (248) 691-8378

E-Mail: customercare@trynexfactory.com

Website: www.snowexproducts.com



General Information



CONGRATULATIONS!

The spreader you have purchased is an example of snow and ice control technology at its finest! Your spreader's self-contained design is a trademark of all SnowEx products. Here's why...

SIMPLICITY: Fewer moving parts manufactured of higher quality means minimal maintenance for your SnowEx spreader.

RELIABILITY: High impact linear low density polyethylene hopper. Custom engineered, powder coated frame. And a custom engineered transmission found only on Snowex products.

VERSATILITY: Multi-use capabilities allows spreading of a variety of materials for snow and ice control.

WARRANTY: Best in the industry, hands down! 2 years standard and now 5 year extended (optional).

The benefits you are about to recognize are that of time, money and effort. We welcome you to the world of SnowEx Performance.

Registration

Record the following information in this manual for quick reference.

Spreader Model Number _____

Spreader Serial Number _____

Date of Purchase _____

Dealer Where Purchased _____

When ordering Parts, the above information is necessary. This will help to see that you receive the correct parts.

At the right is a diagram of the ID tag. This tag on the spreader is located on the frame.

Please fill out the warranty card with all the necessary information to validate it. This will also give us a record so that any safety or service information can be communicated to you.



This manual has been designed for your help. It will assist you and instruct you on the proper set-up, installation and use of this spreader.

Refer to the table of contents for an outline of this manual.

We require that you read and understand the contents of this manual completely (especially all safety information) before attempting any procedure contained herein.



THIS SIGN SHOULD ALERT YOU:

The Society of Automotive Engineers has adopted this **SAFETY ALERT SYMBOL** to pinpoint characteristics that, if **NOT** carefully followed, can create a safety hazard. When you see this symbol in this manual or on the machine itself, **BE ALERT!** Your personal safety and the safety of others is involved.

Defined below are the **SAFETY ALERT** messages and how they will appear in this manual:



DANGER

(RED)

Information that, if not carefully followed, can cause death!



WARNING

(ORANGE)

Information that, if not carefully followed, can cause serious personal injury or death!



CAUTION

(YELLOW)

Information that, if not carefully followed, can cause minor injury or damage to equipment



Before attempting any procedure in this book, these safety instructions must be read and understood by all workers who have any part in the preparation or use of this equipment.

For your safety warning and information decals have been placed on this product to remind the operator of safety precautions . If anything happens to mark or destroy the decals, please request new ones from TurfEx.



Remember, most accidents are preventable and caused by human error. Exercising of care and precautions must be observed to prevent the possibility of injury to operator or others!

Never operate equipment when under the influence of alcohol, drugs, or medications that might alter your judgment and/or reaction time.

Before working with the spreader, secure all loose fitting clothing and unrestrained hair.

Always wear safety glasses with side shields when servicing spreader. Failure to do this could result in serious injury to the eyes.

Never attempt to lift a unit with material in it.

Never allow children to operate or climb on equipment.

Always check areas to be spread to be sure no hazardous conditions or substances are in the area. Always inspect unit for defects: broken, worn or bent parts, weakened areas on spreader.

Remember it is the owner's responsibility to communicate information on safe usage and proper maintenance of all equipment.

Always make sure personnel are clear of areas of danger when using equipment.

Never weld or grind on equipment without having a fire extinguisher available.

Inspect the unit periodically for defects. Parts that are broken, missing or worn out must be replaced immediately. The unit or any part of it can not be altered without prior written permission from the manufacturer.



Never use wet materials or materials with foreign debris with any of these spreaders. These units are designed to handle dry, clean, free flowing material.

Never leave material in hopper for long periods of time. Be aware that all salt is hygroscopic and will attract atmospheric moisture and harden up.

Assembly Instructions

Model # SP-85 / SP-85SS

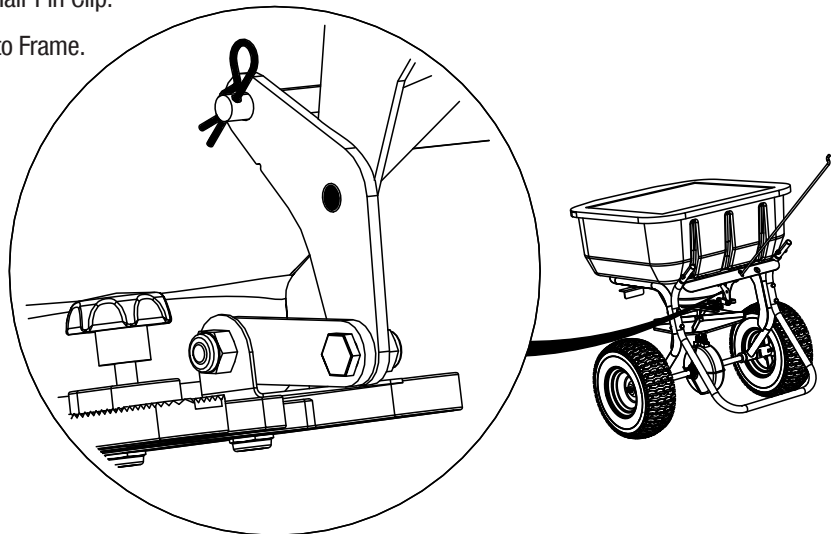
Step 1: Slide Actuator Rod up through the slot in the Spreader Support Leg from the spinner side.



Step 2:

A: Attach Actuator Rod to Gate Linkage. Secure with Hair Pin Clip.

B: Remove Pivot Bolt that attaches the Gate Linkage to Frame.

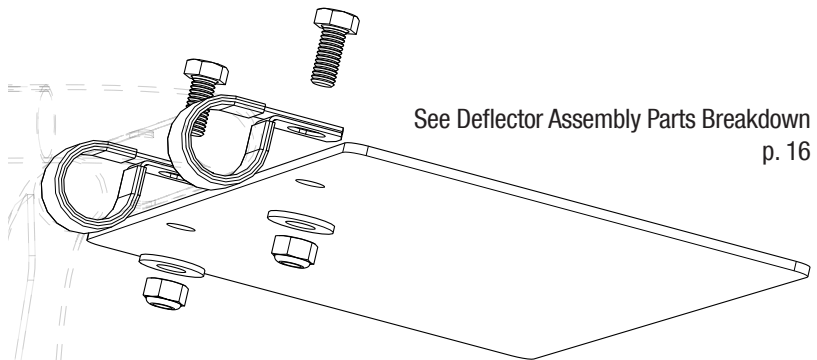
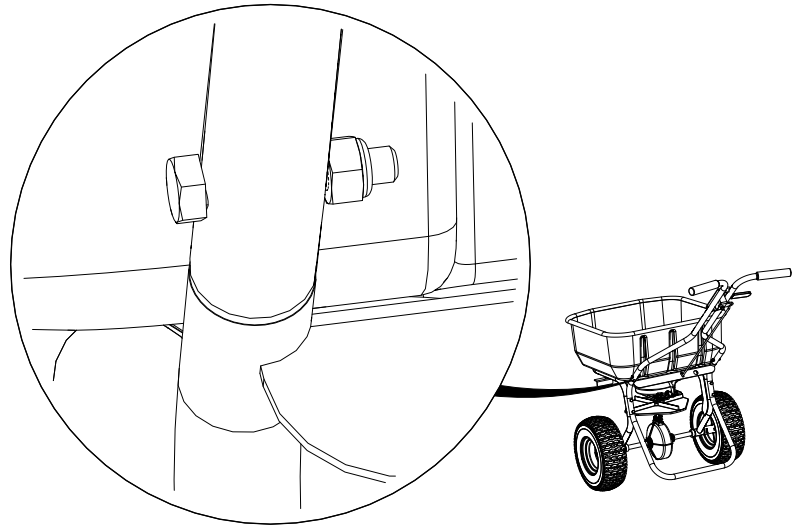
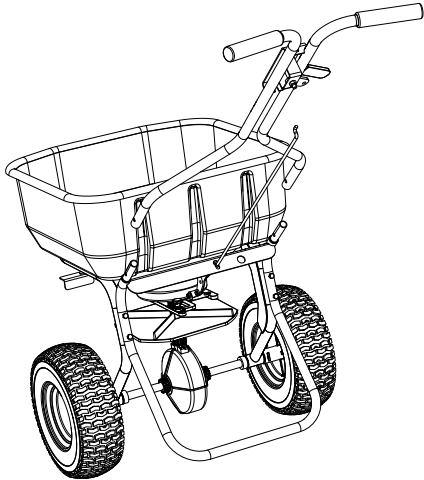


Assembly Instructions

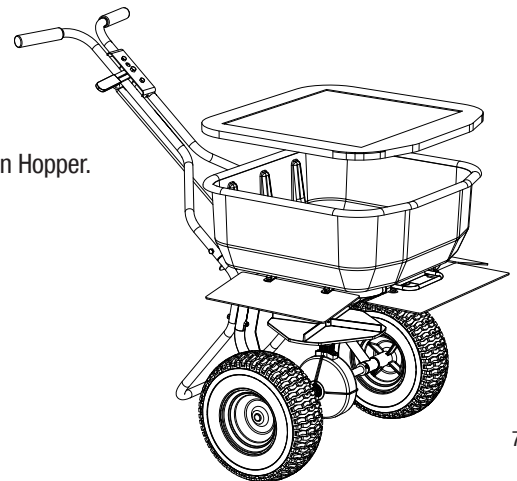
Model # SP-85 / SP-85SS

Step 3:

- A: Attach Actuator Rod to Handle.
- B: Slide Handle Assembly onto Spreader Frame and install corresponding Hardware from provided Hardware Kit.
- C: Reinstall Pivot Bolt that was removed in Step 2B.



Step 5: Put Weather Cover on Hopper.



Operating the Spreader

Model # SP-85 / SP-85SS

SPREADER LOADING

Capacity: 2 Cubic Ft Hopper

WARNING – Do not overload spreader. Weights of material are an average for dry materials.

<u>Material</u>	<u>Weight Per Cubic Ft.</u>
Bulk Salt	80-90 lbs.

- Warning – Never remove spreader from vehicle with material in it as this could cause damage to the frame assembly.
- Warning – Never leave materials in hopper for long periods of time, salt is hygroscopic and will attract atmospheric moisture and harden up.

SPREADING TIPS

- For a wider pass, increase walking pace.
- For a heavier pass, walk slower .
- Use care when operating spreader near pedestrians.
- Calculate spread pattern when near vegetation.

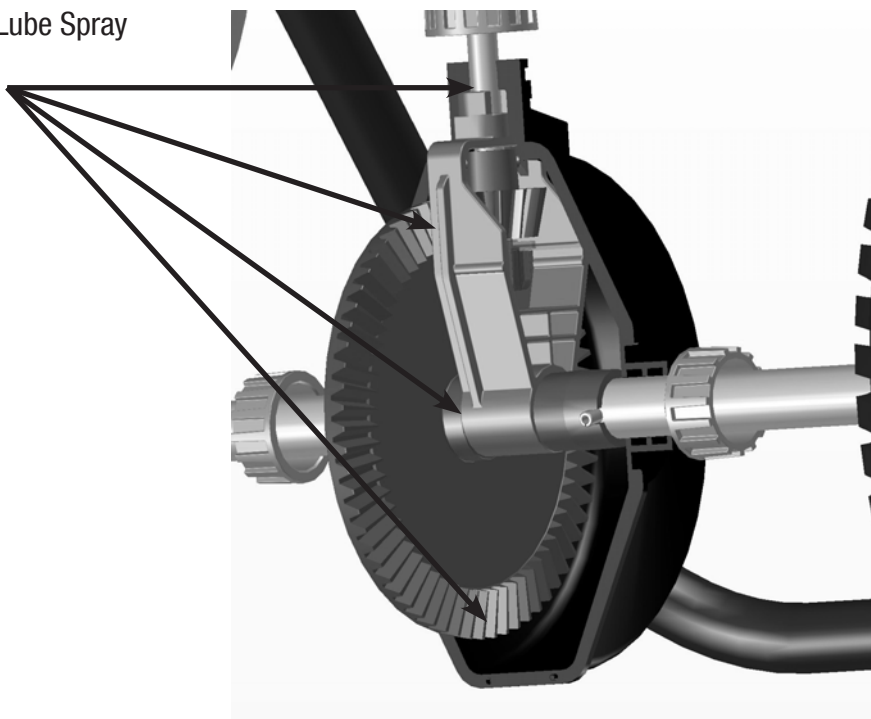
Maintenance

Model # SP-85 / SP-85SS

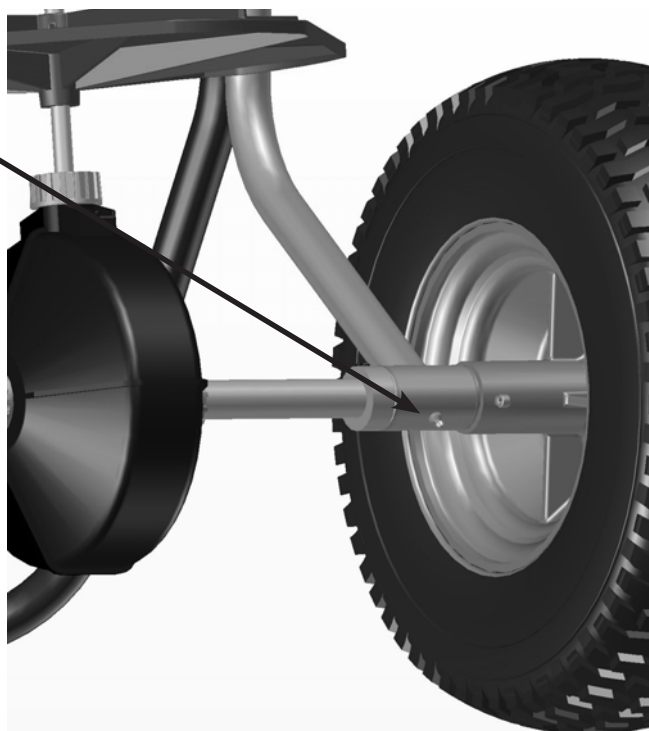
Important

Gears and Axles Must Be Lubricated and Greased Every 20 Hours of Use.

Remove Gear Housing and apply Chain Lube Spray Lubrication.



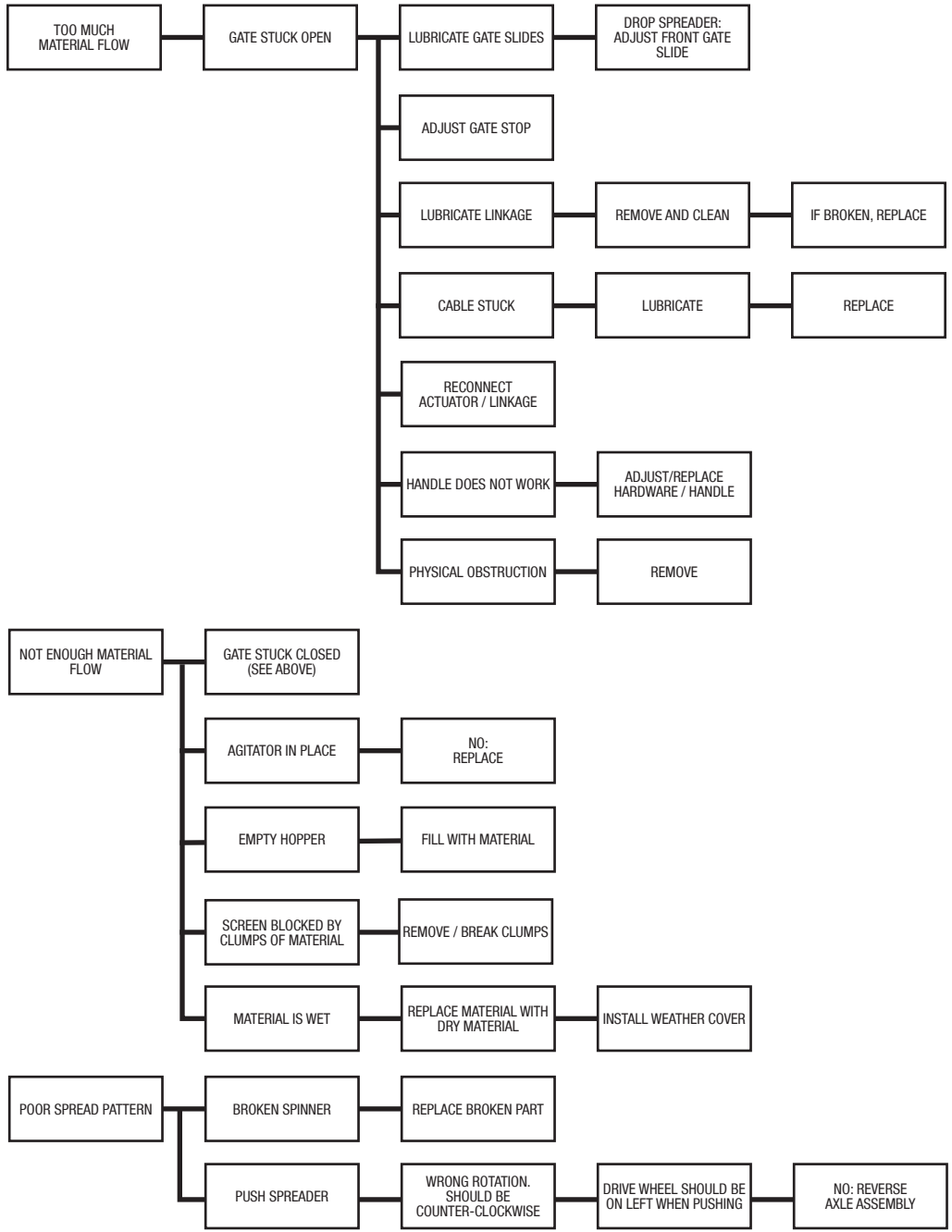
Use General Purpose Grease on both Grease Zerks.



Troubleshooting



Model # SP-85 / SP-85SS



Limited Warranty

SnowEx products are warranted for a period of two years from the date of purchase against defects in material or workmanship under normal use and service, subject to limitations detailed below. Warranty period of two years begins on the date of purchase by the original retail user.

The WARRANTY REGISTRATION must be submitted to the SnowEx for this warranty to become effective. This warranty applies to the original retail purchaser only. This warranty does not cover damages caused by improper installation, misuse, lack of proper maintenance, alterations or repairs made by anyone other than authorized SnowEx dealers or SnowEx personnel. Due to the corrosive properties of the materials dispensed by spreaders, Trynex does not warrant against damage caused by corrosion. Warranty claims by the user must be made to the dealer from where the product was purchased, unless otherwise authorized by SnowEx. SnowEx reserves the right to determine if any part is defective and to repair or replace such parts as it elects. This warranty does not cover shipping costs of defective parts to or from the dealer.

LIMITATION OF LIABILITY

Neither SnowEx, nor any company affiliated with it, makes any warranties, representations or promises as to the performance or quality other than what is herein contained. The liability of SnowEx to the purchaser for damages arising out of the manufacture, sale, delivery, use or resale of this spreader shall be limited to and shall not exceed the costs of repair or replacement of defective parts. SnowEx shall not be liable for loss of use, inconvenience or any other incidental, indirect or consequential damages, so the above limitations on incidental or consequential damages may not apply to you.

NO DEALER HAS AUTHORITY TO MAKE ANY REPRESENTATION OR PROMISE ON BEHALF OF SnowEx, OR TO ALTER OR MODIFY THE TERMS OR LIMITATIONS OF THIS WARRANTY IN ANY WAY.

Spreader Views

Model # SP-85 / SP-85SS



QUALITY MADE
IN THE USA

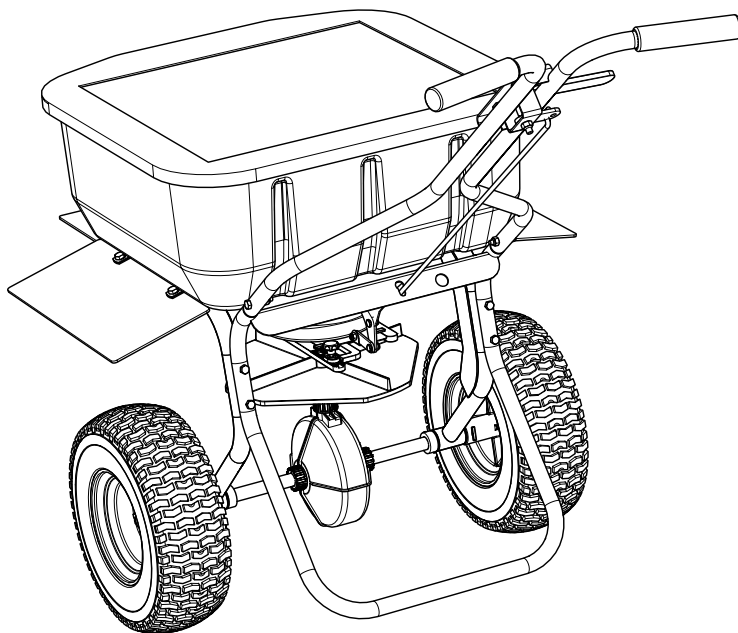
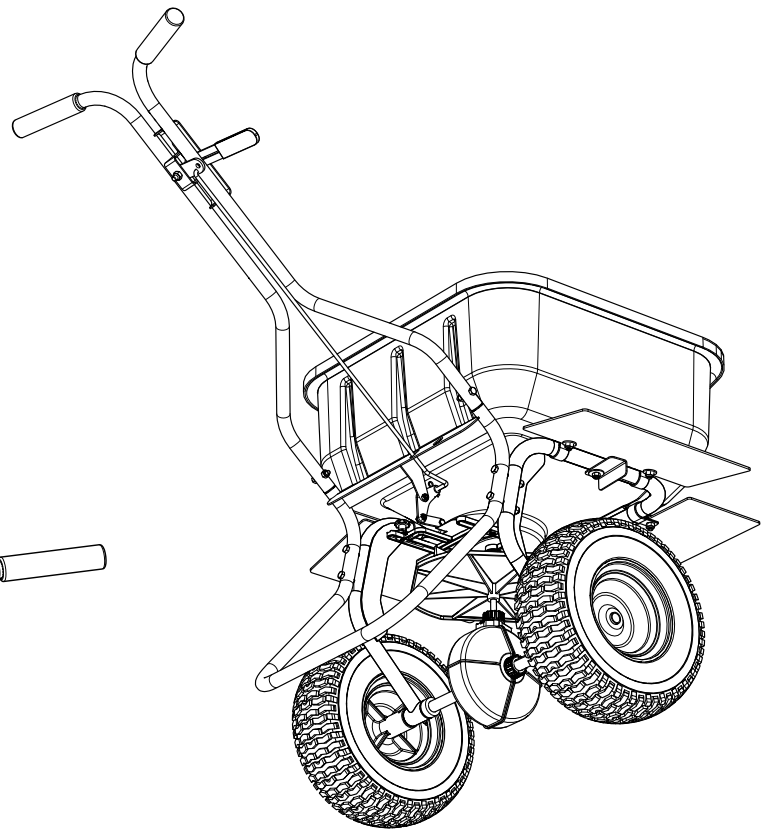
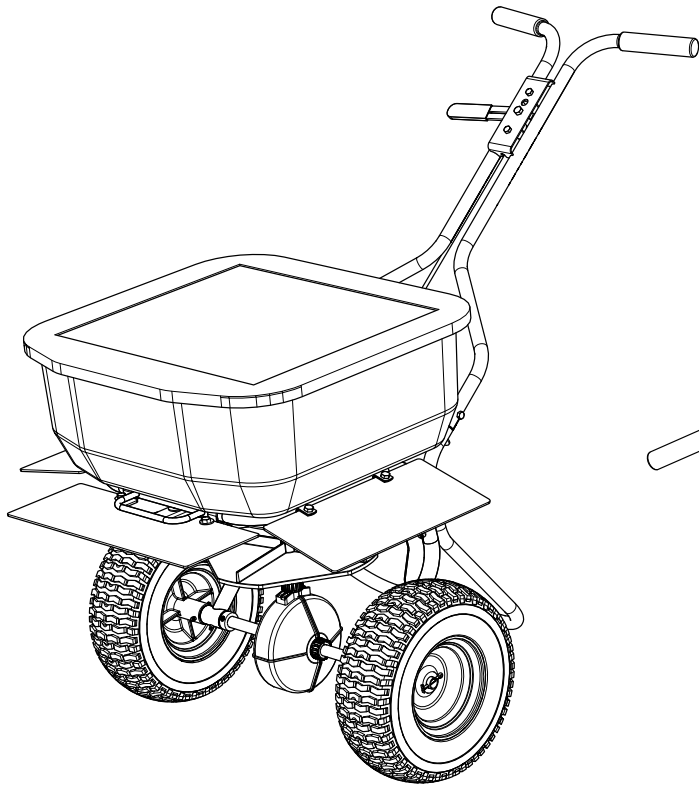


800-725-8377 www.trynexusfactory.com

SnowEx  www.snowexproducts.com
MODEL NO.
SP-85SS 
SERIAL NO. PE-100000 Max. Capacity 160 lbs.

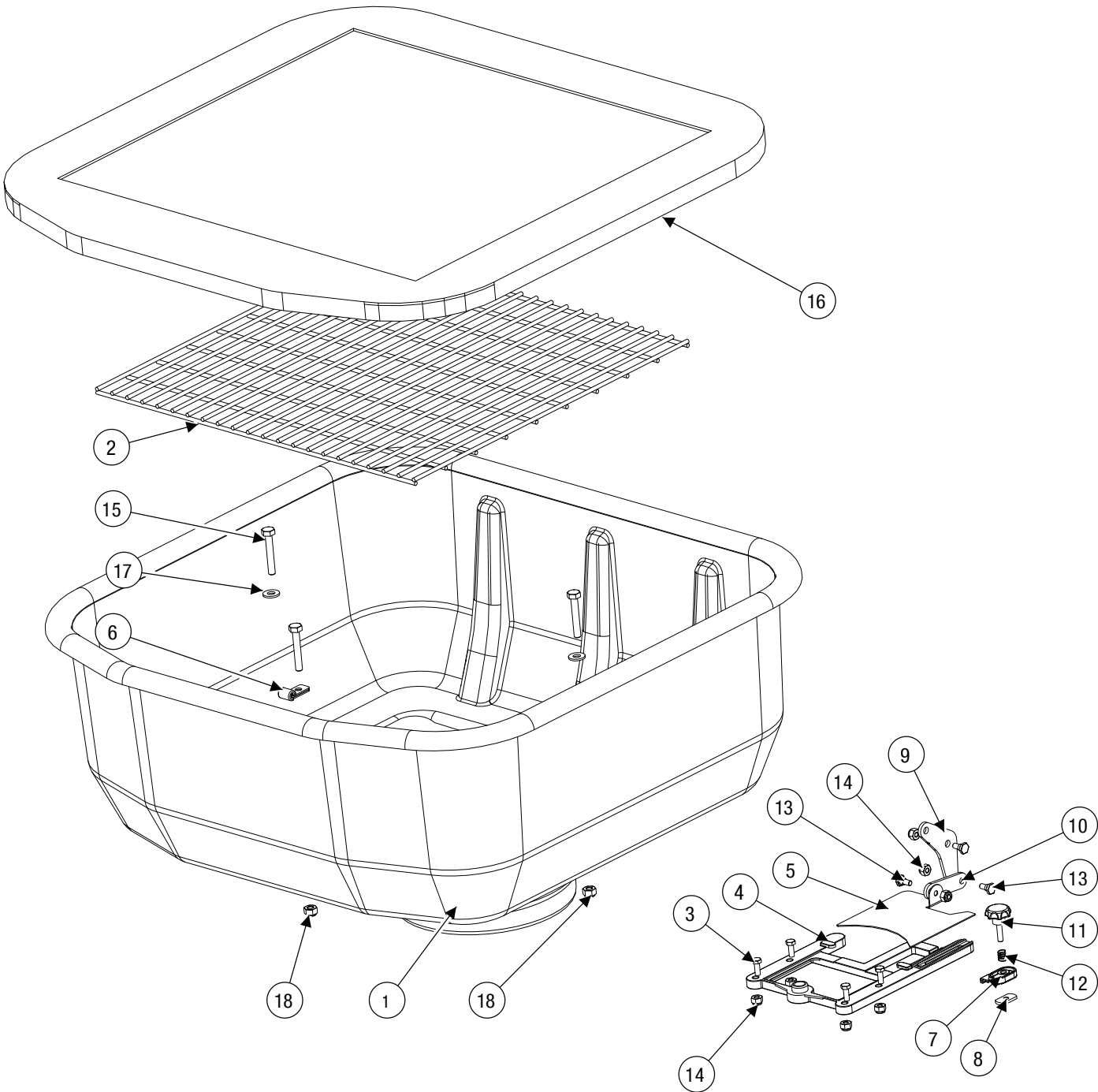
Spreader Views

Model # SP-85 / SP-85SS



Hopper Assembly Parts Breakdown

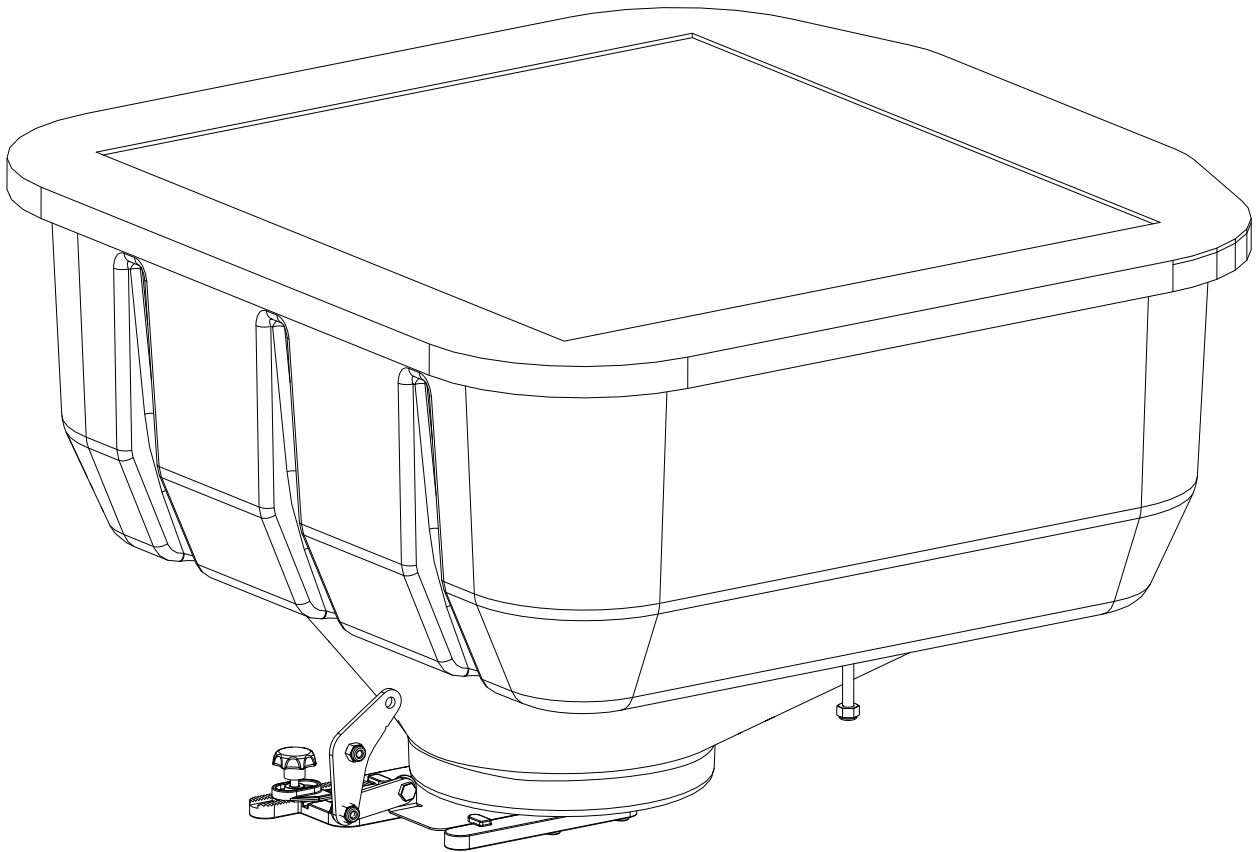
Model # SP-85 / SP-85SS



Hopper Assembly Parts Breakdown



Model # SP-85 / SP-85SS



ID #	Part #	Qty
1	D5900	1
2	D5903	1
3	D5905	4
4	D5912	1
5	D5914	1
6	D5920	1
7	D5927	1

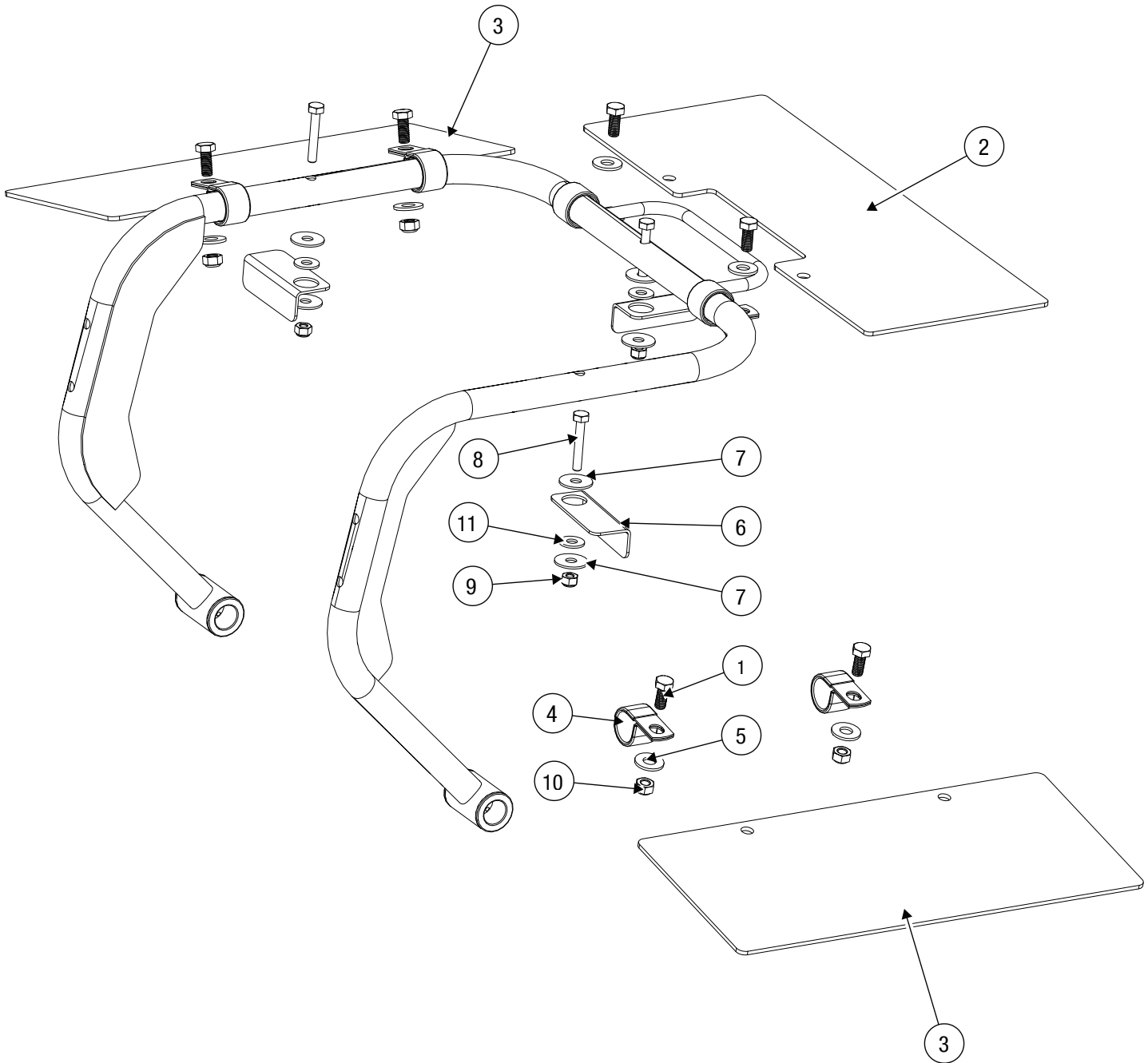
ID #	Part #	Qty
8	D5928	1
9	D5933	1
10	D5934	1
11	D5935	1
12	D5936	1
13	D5937	3
14	D5948	7

ID #	Part #	Qty
15	D5953	3
16	D6041	1
17	T15014	2
18	T15016	3

Deflector Assembly Parts Breakdown



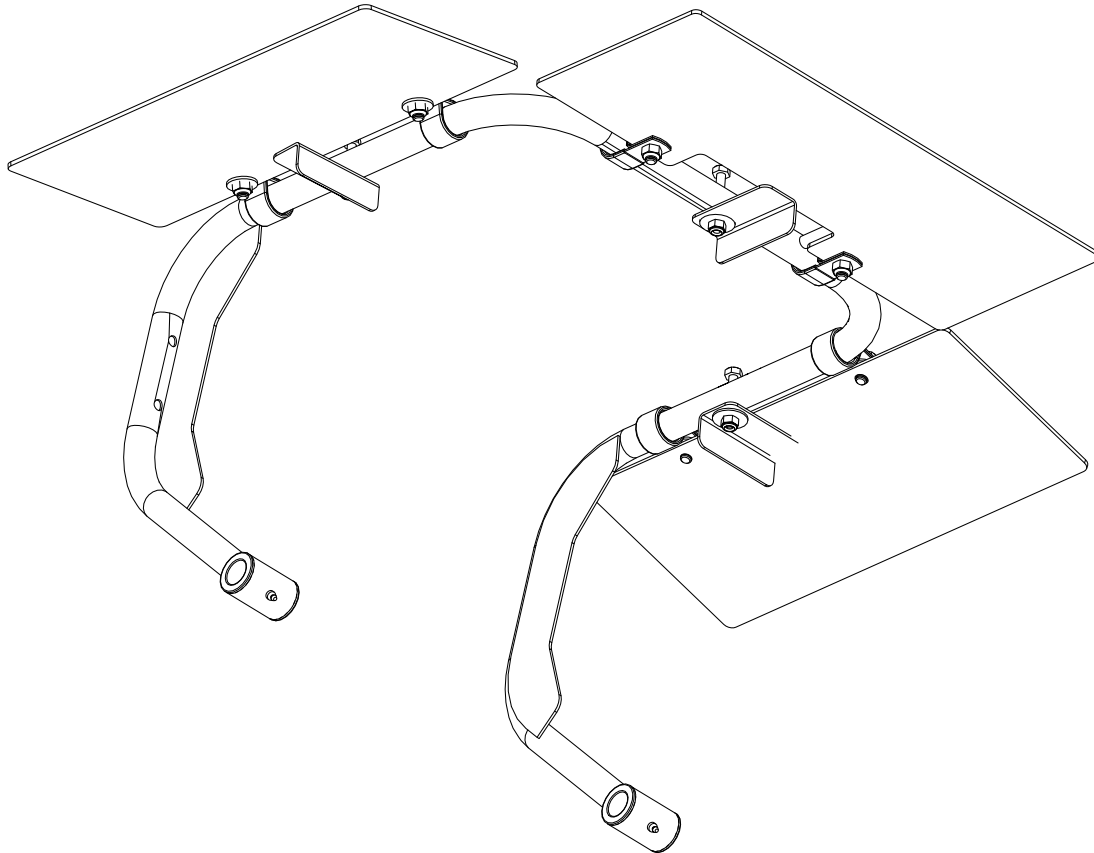
Model # SP-85 / SP-85SS



Deflector Assembly Parts Breakdown



Model # SP-85 / SP-85SS



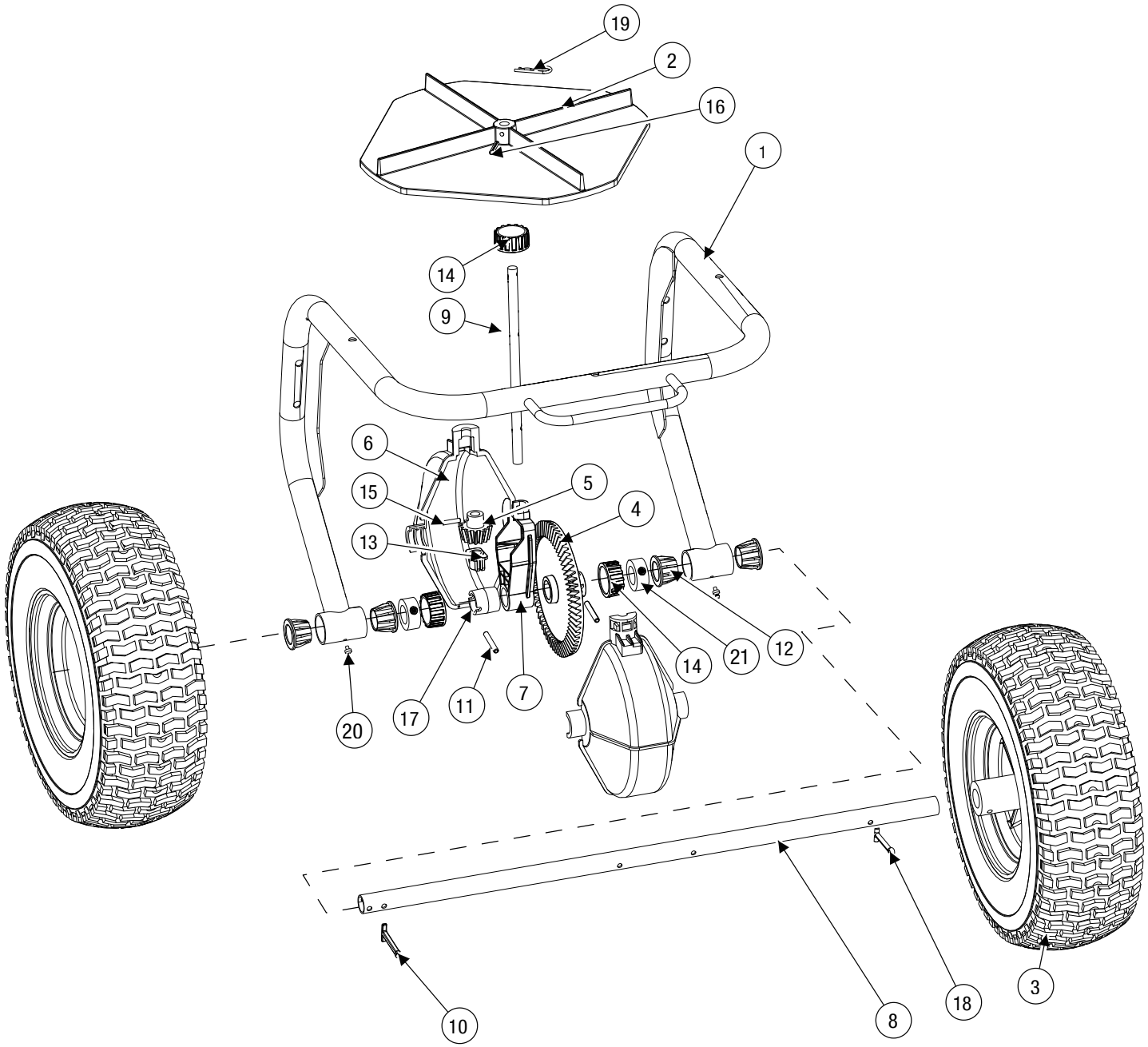
ID #	Part #	Qty
1	D5209	6
2	D5931	1
3	D5932	2
4	D5940	6
5	D5949	6
6	D5951	3

ID #	Part #	Qty
7	D5952	6
8	D5953	3
9	T15016	3
10	T15018	4
11	T15023	3

Axle Assembly Parts Breakdown



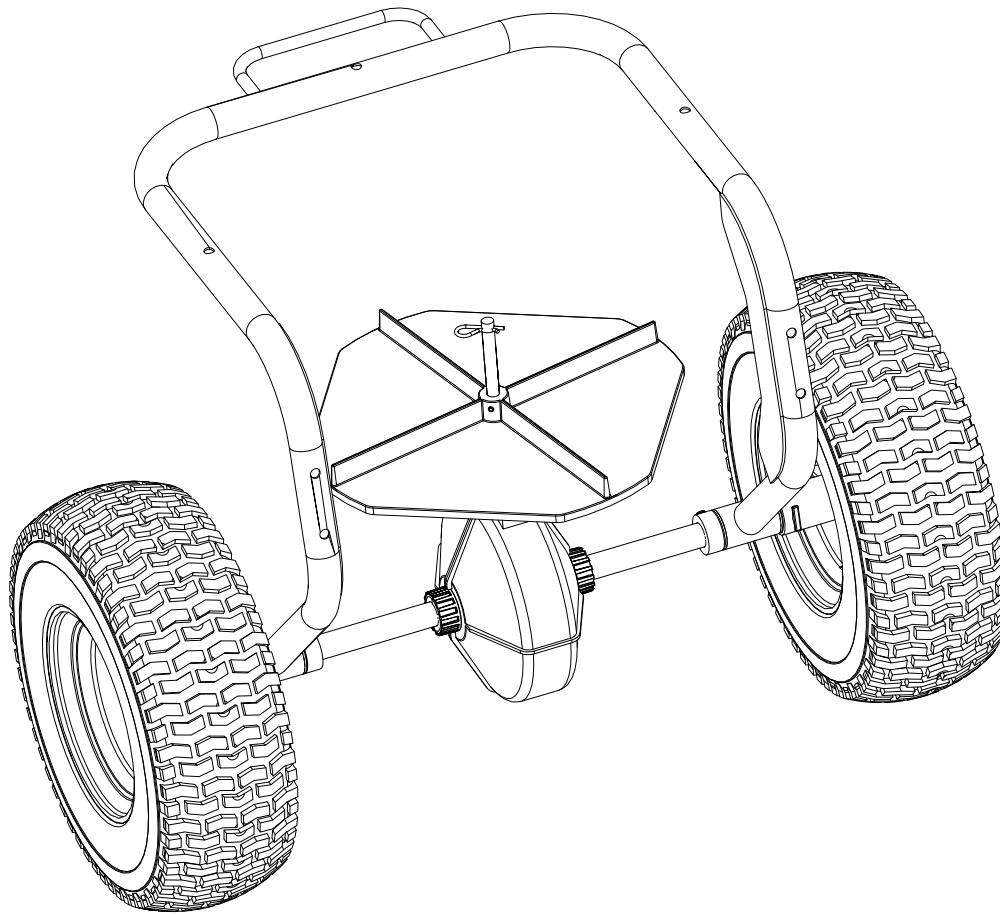
Model # SP-85



Axle Assembly Parts Breakdown



Model # SP-85



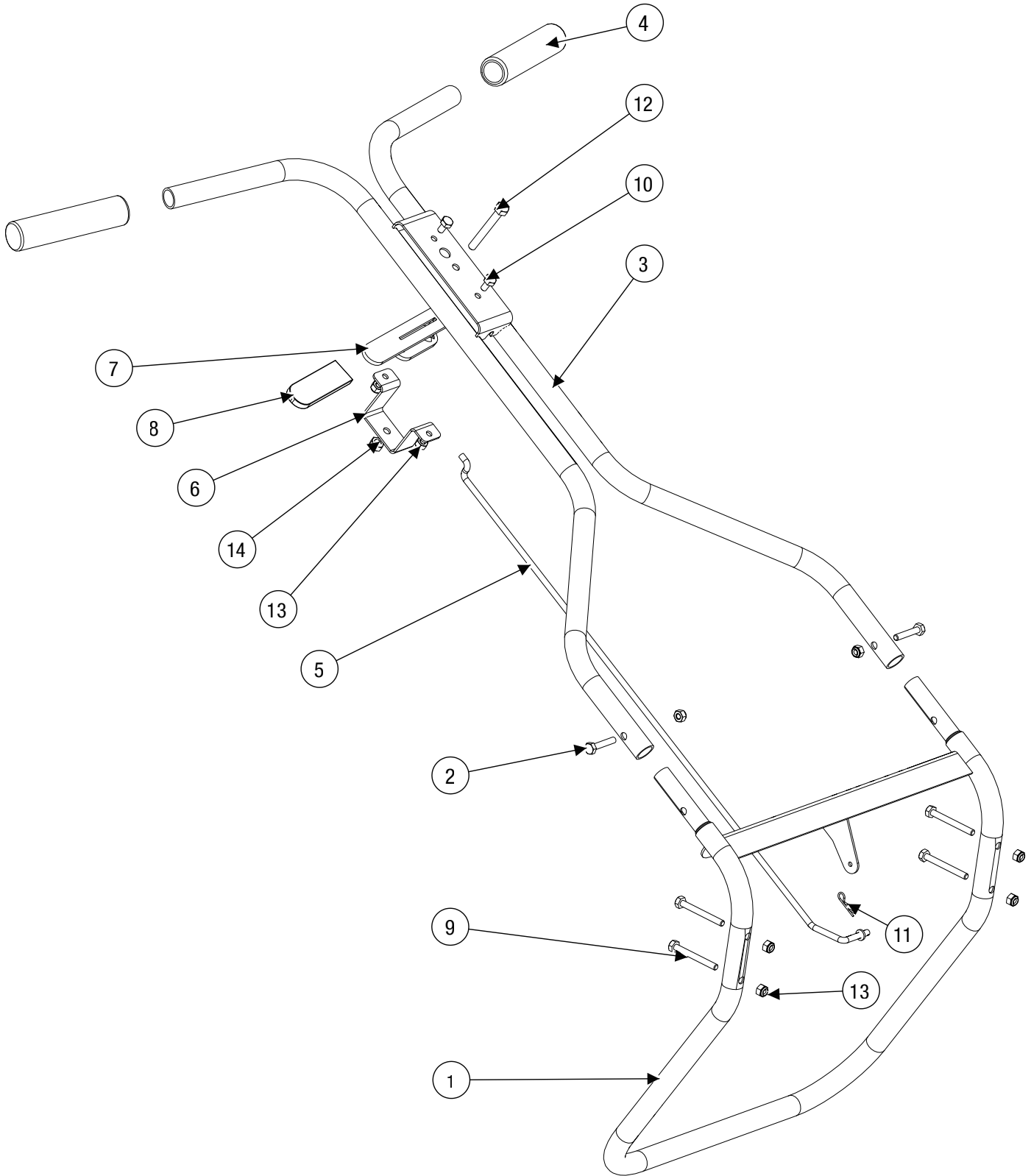
ID #	Part #	Qty
1	D5901	1
2	D5902	1
3	D5904	2
4	D5909	1
5	D5910	1
6	D5911	2
7	D5913	1
8	D5915	1
9	D5956	1
10	D5919	1
11	D5921	2

ID #	Part #	Qty
12	D5923	4
13	D5926	1
14	D5930	3
15	D5938	1
16	D5939	1
17	D5941	1
18	D5947	1
19	D5993	1
20	D5994	2
21	D6024	2

Handle Assembly Parts Breakdown



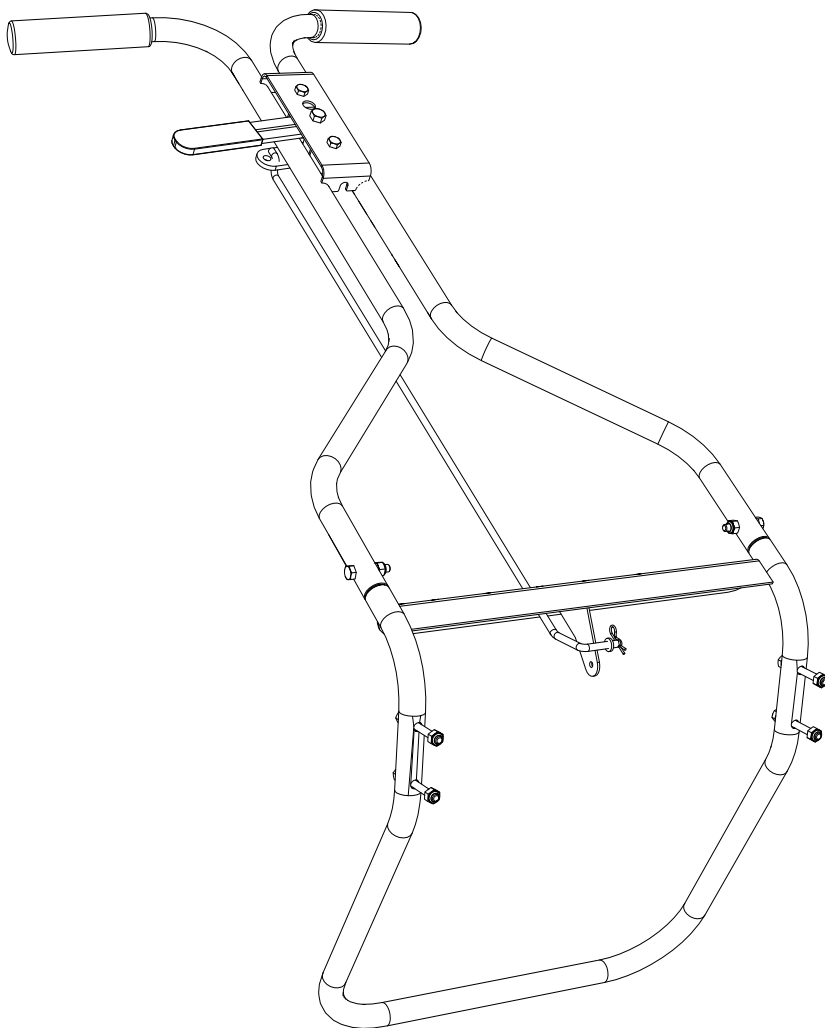
Model # SP-85



Handle Assembly Parts Breakdown



Model # SP-85



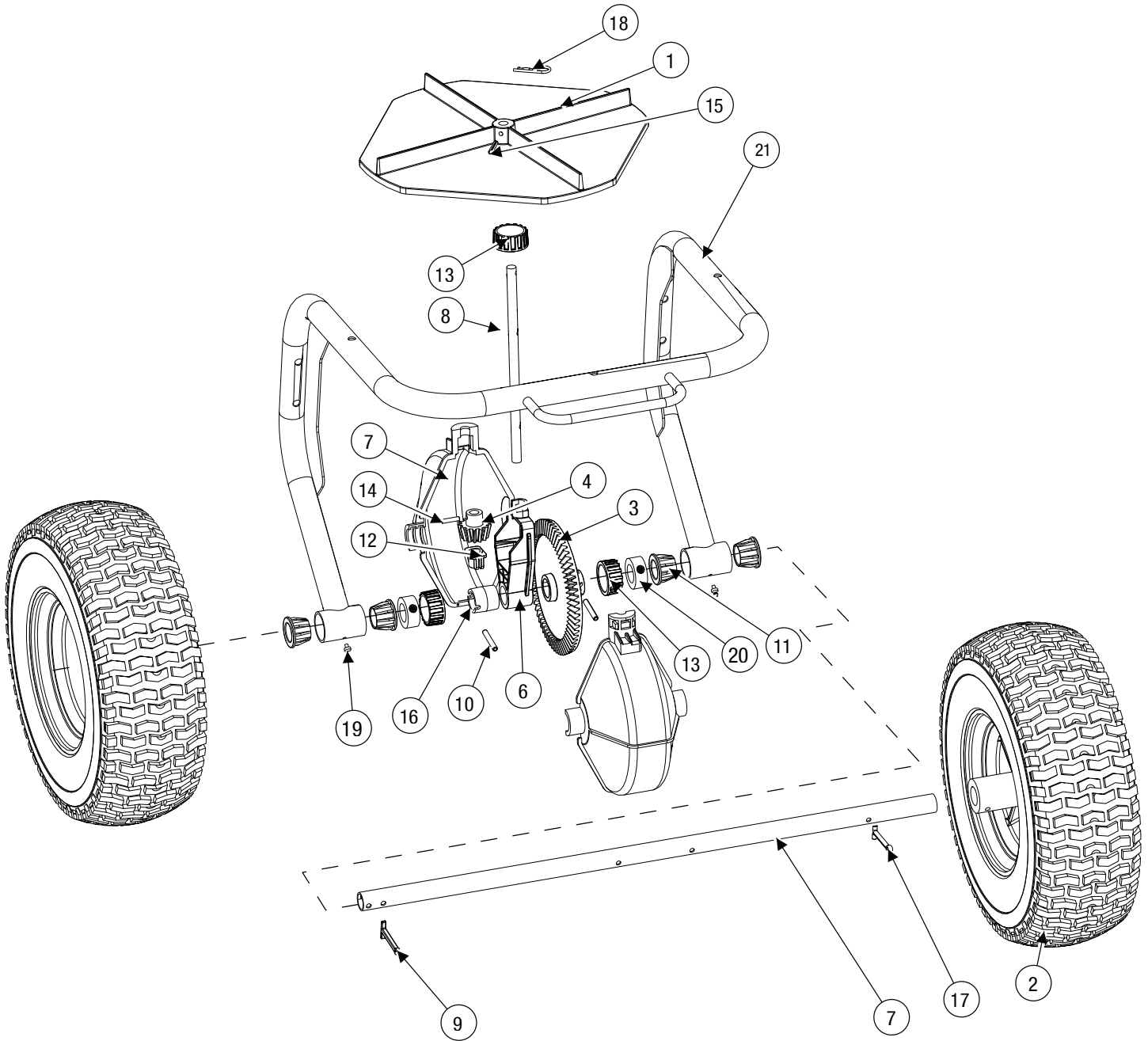
ID #	Part #	Qty
1	D5906	1
2	D5907	2
3	D5908	1
4	D5917	2
5	D5918	1
6	D5924	1
7	D5925	1
8	D5929	1

ID #	Part #	Qty
9	D5943	4
10	D5944	2
11	D5945	1
12	D5946	1
13	T15016	8
14	T15018	1

Axle Assembly Parts Breakdown



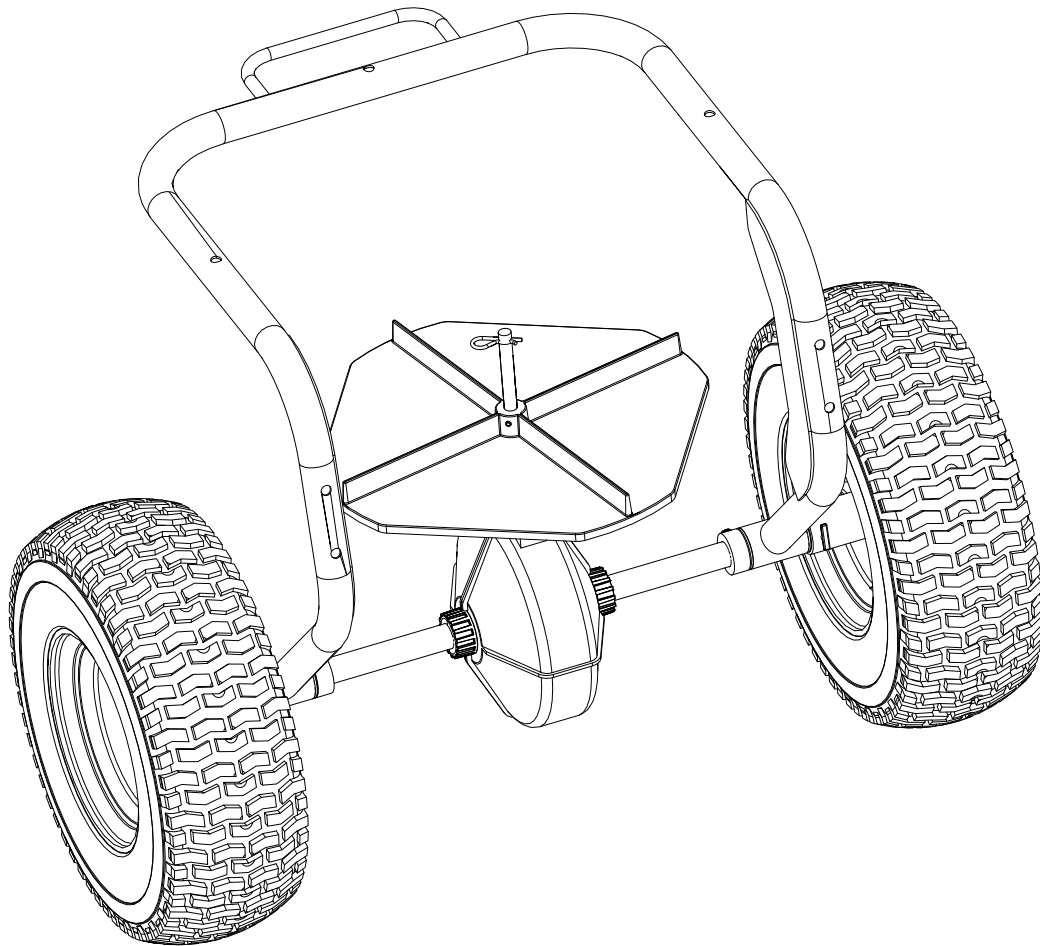
Model # SP-85SS



Axle Assembly Parts Breakdown



Model # SP-85SS



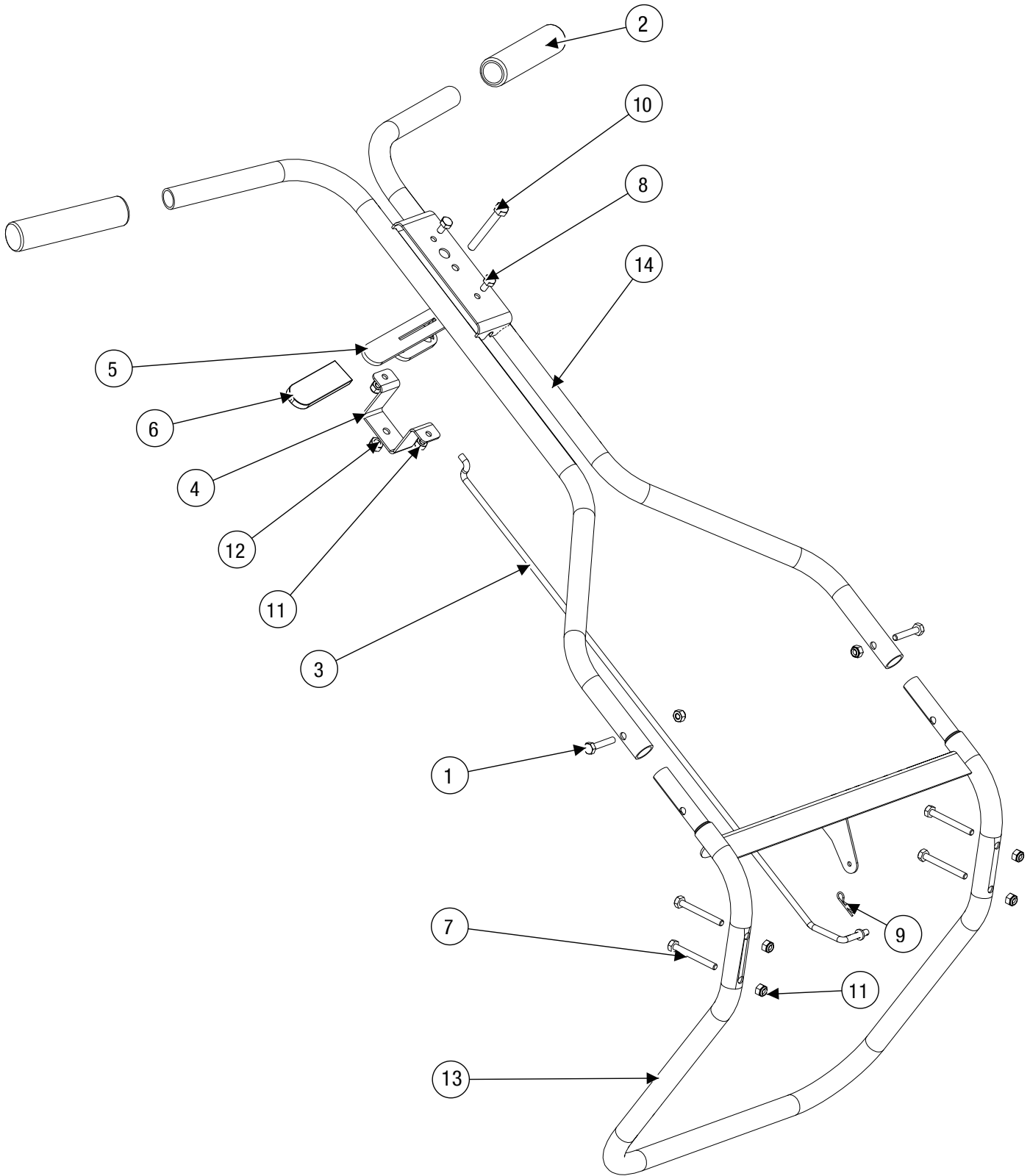
ID #	Part #	Qty
1	D5902	1
2	D5904	2
3	D5909	1
4	D5910	1
5	D5911	2
6	D5913	1
7	D5915	1
8	D5956	1
9	D5919	1
10	D5921	2
11	D5923	4

ID #	Part #	Qty
12	D5926	1
13	D5930	3
14	D5938	1
15	D5939	1
16	D5941	1
17	D5947	1
18	D5993	1
19	D5994	2
20	D6024	2
21	T30151	1

Handle Assembly Parts Breakdown



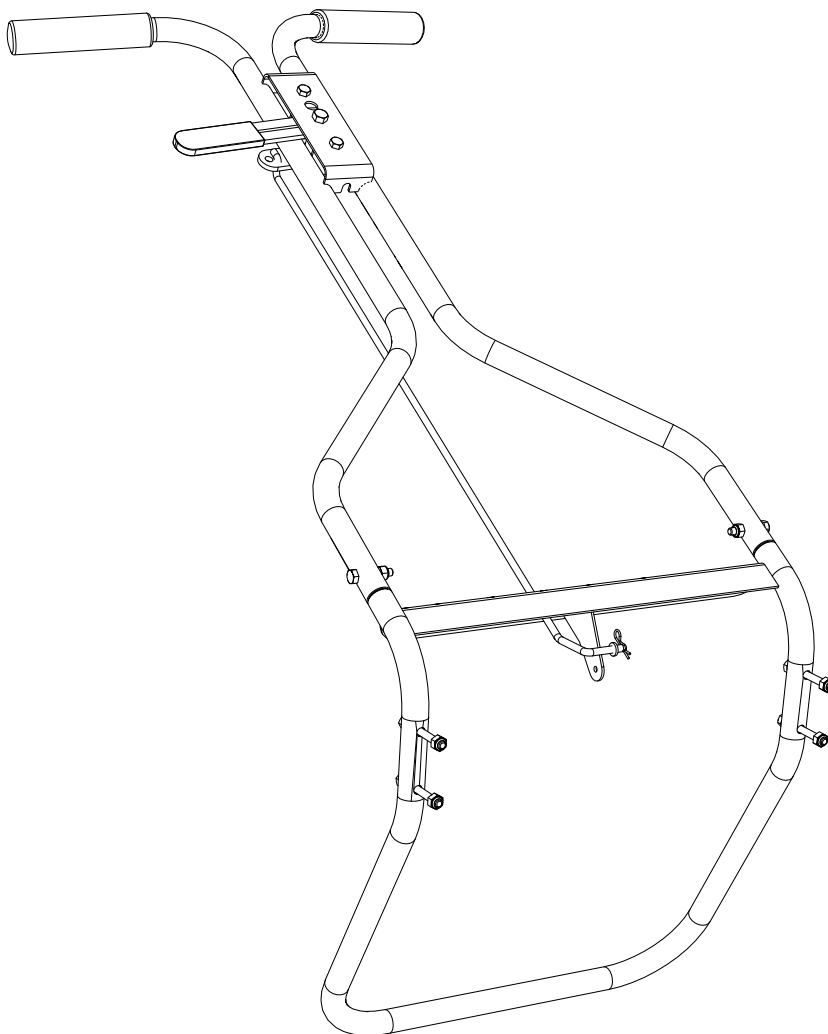
Model # SP-85SS



Handle Assembly Parts Breakdown



Model # SP-85SS



ID #	Part #	Qty
1	D5907	2
2	D5917	2
3	D5918	1
4	D5924	1
5	D5925	1
6	D5929	1
7	D5943	4
8	D5944	2

ID #	Part #	Qty
9	D5945	1
10	D5946	1
11	T15016	8
12	T15018	1
13	T30152	1
14	T50153	1

Notes



