



Walk-Behind Broadcast Spreader

SP-65

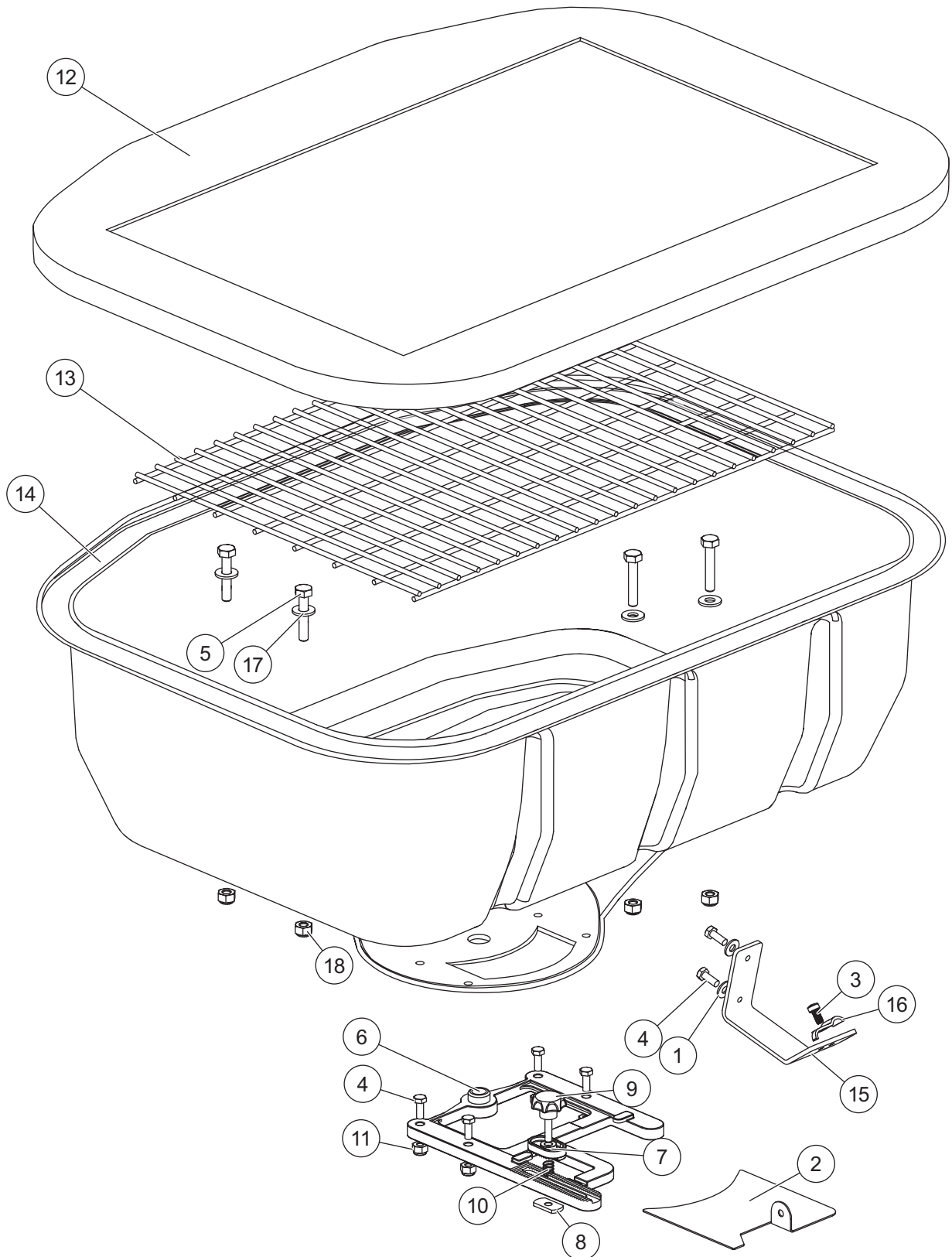
Parts List



This document is for SnowEx® SP-65 walk-behind broadcast spreaders with serial numbers PA-201033 – PA-204133, and serial numbers beginning with 140724 and higher.

SP-65 WALK-BEHIND BROADCAST SPREADER PARTS LIST

HOPPER COMPONENTS



SP-65 WALK-BEHIND BROADCAST SPREADER PARTS LIST

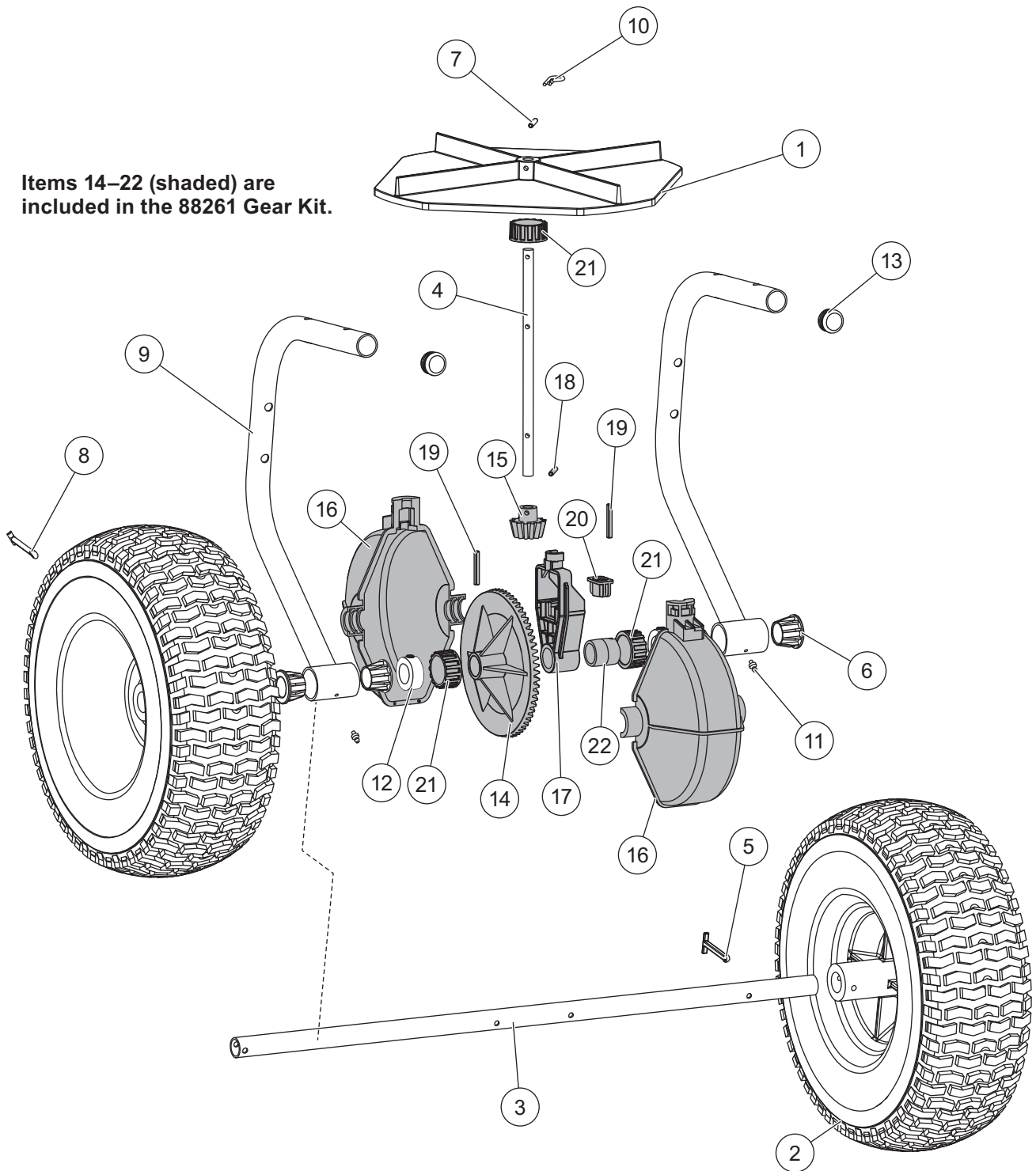
Hopper Components							
Item	Part	Qty	Description	Item	Part	Qty	Description
1	51026	2	#10 Flat Washer SS	10	50944	1	0.279 x 0.030 x 0.355 Spring SS
2	D5345	1	Gate Slide	11	50958	4	#10-32 Locknut Waxed SS
3	D5361	1	10-32 x 3/8" Fillister Head Screw SS	12	50959	1	Hopper Cover
4	50908	6	#10-32 x 1/2 Hex Cap Screw SS	13	50961	1	Top Screen
5	50911	4	1/4-20 x 1-3/8 Hex Cap Screw SS	14	D5981	1	Hopper
6	50913	1	Gate Track	15	D5982	1	Cable Bracket
7	50938	1	Gate Adjustment Stop	16	F50772	1	Cable Clip
8	50939	1	#10-32 Weld Nut	17	50969	4	1/4 Flat Washer SS
9	50943	1	Knob	18	50970	4	1/4-20 Hex Locknut Waxed SS

SS = Stainless Steel

SP-65 WALK-BEHIND BROADCAST SPREADER PARTS LIST

AXLE ASSEMBLY COMPONENTS

Items 14–22 (shaded) are included in the 88261 Gear Kit.

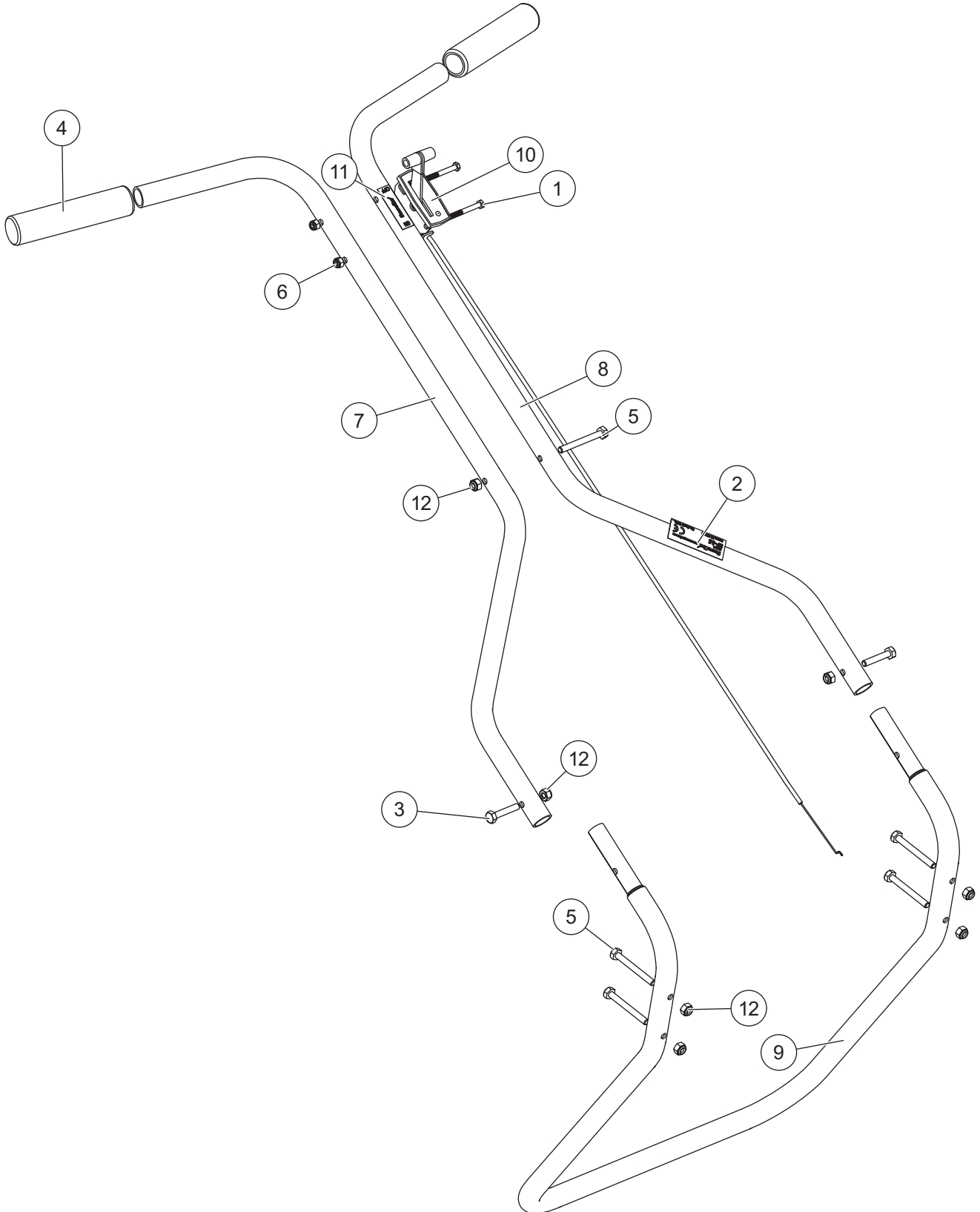


SP-65 WALK-BEHIND BROADCAST SPREADER PARTS LIST

Axle Assembly							
Item	Part	Qty	Description	Item	Part	Qty	Description
1	88271	1	12" Spinner, Poly	8	50957	1	3/16 x 1-1/2 Cotter Pin SS
2	50907	2	13 x 5 Wheel	9	50962	2	Hopper Frame Leg
3	50915	1	3/4 x 24.3 Axle	10	50963	1	Stir Wire
4	50916	1	3/8 x 8-1/2 Spinner Shaft	11	50964	2	Grease Fitting Straight
5	50933	1	3/16 x 2 Cotter Pin SS	12	50965	2	Shaft Collar
6	50935	4	Wheel Bushing Nylon	13	50966	2	Tube Cap
7	50947	1	5/32 x 1 Spring Pin	ns	88261	1	Gear Kit
88261 Gear Kit							
14		1	5-1/2 Bevel Gear	19		2	3/16 x 1-1/4 Spring Pin
15		1	1-1/2 Bevel Gear	20		1	Spinner Shaft Support
16		2	Gear Cover	21		3	Lock Ring
17		1	Gear Support	22		1	Axle Spacer
18		1	5/32 x 3/4 Spring Pin				
ns = not shown				SS = Stainless Steel			

SP-65 WALK-BEHIND BROADCAST SPREADER PARTS LIST

HANDLE ASSEMBLY COMPONENTS



SP-65 WALK-BEHIND BROADCAST SPREADER PARTS LIST

Handle Assembly Components							
Item	Part	Qty	Description	Item	Part	Qty	Description
1	D5365	2	#10-32 2-1/2 Hex Cap Screw SS	7	D5975	1	Handle, Right
2		1	Label - Serial Number	8	D5976	1	Handle, Left
3	50911	2	1/4-20 x 1-3/8 Hex Cap Screw SS	9	D5977	1	Frame Stand
4	50917	2	Handle Grip	10	D5983	1	Gate Cable
5	50948	5	1/4-20 x 2-1/4 Hex Cap Screw SS	11	D5990	1	Label - ON/OFF
6	50958	2	#10-32 Locknut, Waxed SS	12	50970	7	1/4-20 Hex Locknut, Waxed SS
SS = Stainless Steel							



TrynEx International
531 Ajax Drive
Madison Heights, MI 48071-2429
www.snowexproducts.com

 A DIVISION OF DOUGLAS DYNAMICS, LLC

Copyright © 2017 Douglas Dynamics, LLC. All rights reserved. This material may not be reproduced or copied, in whole or in part, in any printed, mechanical, electronic, film or other distribution and storage media, without the written consent of TrynEx International. Authorization to photocopy items for internal or personal use by TrynEx International outlets or spreader owner is granted.

TrynEx International reserves the right under its product improvement policy to change construction or design details and furnish equipment when so altered without reference to illustrations or specifications used. TrynEx International may require or recommend optional equipment for spreaders. TrynEx International offers a limited warranty for all spreaders and accessories. See separately printed page for this important information. The following are registered (®) trademarks of Douglas Dynamics, LLC: SnowEx®, TrynEx®.

Printed in U.S.A.