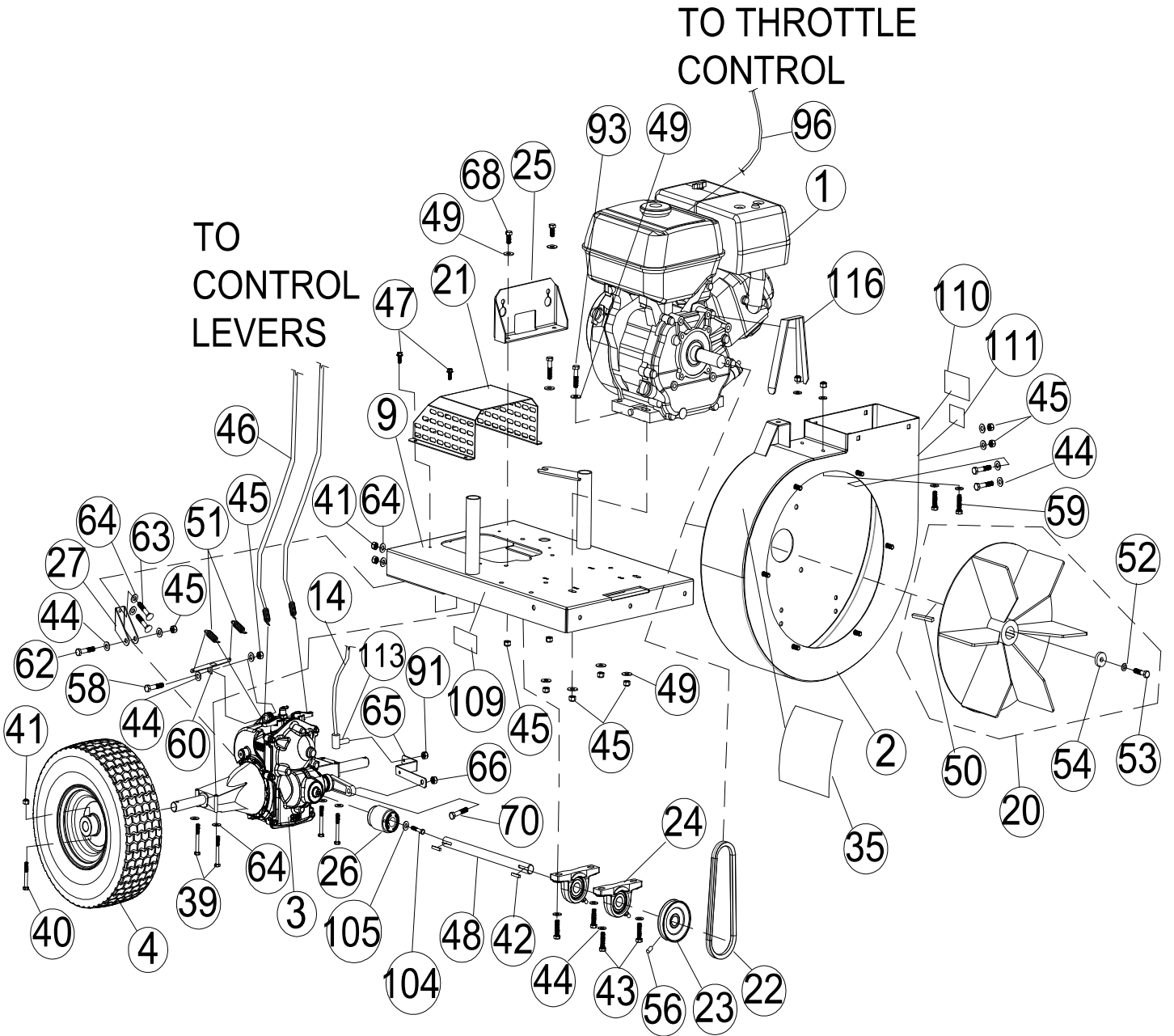




QVSP ENGINE PARTS DRAWING





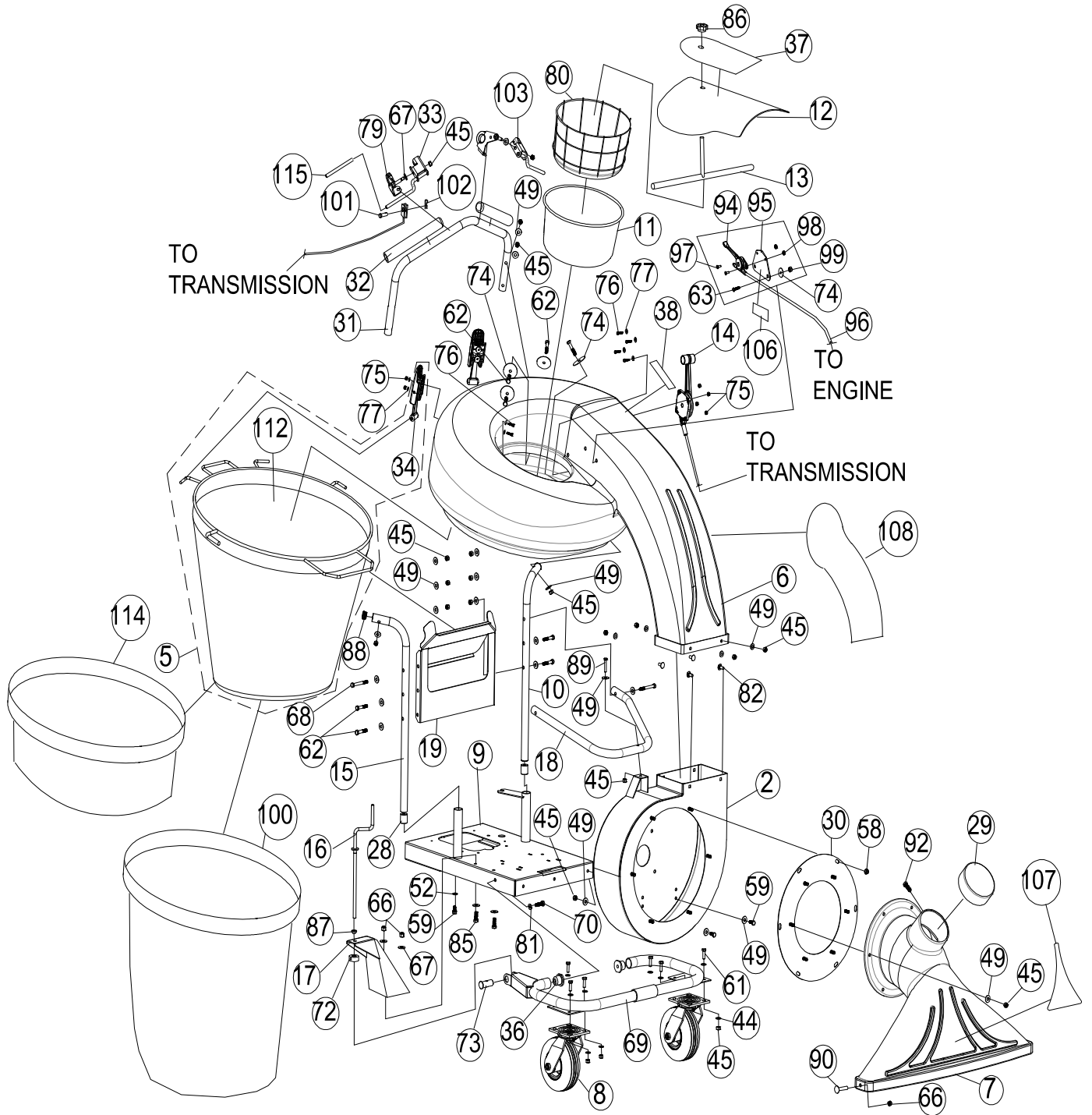
QVSP Owner's Manual

QVSP ENGINE PARTS LIST

ITEM	DESCRIPTION	QV550HSP PART NO.	QTY	QV900HSP PART NO.	QTY	ITEM	DESCRIPTION	QV550HSP PART NO.	QTY	QV900HSP PART NO.	QTY
1	ENGINE HONDA 5.5 OHV GX160	600115	1	-	-	62	SCREWCAP 5/16"-18 X 1 3/4" HCS ZP	8041031	1	8041031	1
	ENGINE HONDA 9 OHV GX270	-	-	430287	1	63	CARRIAGE BOLT 1/4"-20 X 3/4" ZP	8024021	2	8024021	2
2	HOUSING WA W/LABELS	831600	1	831600	1	64	WASHER 1/4" SAE	8172007	8	8172007	8
3	TRANSAXLE HYDRO GEAR	831218	1	831218	1	65	BRACKET OFFSET SHIFT	831220	1	831220	1
4	WHEEL 13" X 5" PNEU	831203	2	831203	2	66	NUT LOCK 3/8"-16 HEX	8160003	1	8160003	1
9	ENGINE BASE WA	831105	1	831107	1	68	SCREWCAP 5/16"-18 X 3/4" HCS ZP	8041035	2	8041035	2
14	CABLE SHIFTER CONTROL	831228	1	831228	1	70	SCREWCAP 3/8"-16 X 1 1/4" HCS ZP	8041051	1	8041051	1
20	IMPELLER ASSY 5HP (torque 17-22 ft.lbs [23-30 N.m])	831607	1	-	-	91	NUT 1/4"-28 HEX	8149001	1	8149001	1
	IMPELLER ASSY 9HP (torque 55-60 ft. lbs [75-81 N.m.J])	-	-	831121-S	1	93	SCREWCAP 5/16"-18 X 1 1/2" HCS ZP	8041030	4	-	-
21	COVER TRANSAXLE WA	831114	1	831114	1		SCREWCAP 5/16"-18 X 1 3/4" HCS ZP	-	-	8041031	4
22	BELT GATES 6822	831219	1	-	-	96	CABLE THROTTLE	440178	1	440178	1
	BELT GATES 6824	-	-	831280	1	104	SCREWCAP 1/4"-20 X 3/4" W/PATCH	831263	1	831263	1
23	PULLEY 3.25 X 3/4" BORE	610417	1	610417	1	105	WASHER .266 X .750 X .156 THK	831264	1	831264	1
24	BEARING 3/4" CAST P BLOCK	350133	2	350133	2	109	LABEL DANGER GUARD	900327	2	900327	2
25	BRACKET MOUNT CONTROL CABLE	831113	1	831113	1	110	LABEL MADE IN USA	520116	1	520116	1
26	COUPLER TRANSAXLE	831205	1	831205	1	111	LABEL PATENT PENDING	500183	1	500183	1
27	BRACKET ANTI ROTATION	831217	1	831217	1	113	BALL JOINT DETACHABLE	831615	1	831615	1
35	LABEL WARNING QV	831265	1	831265	1	116	BELT GUIDE QV	831302	1	831303	1
39	SCREWCAP 1/4"-20 X 2 1/4 HCS ZP	8041011	4	8041011	4						
40	BOLT SHOULDER 1/4" X 1 1/2"	831255	2	831255	2						
41	NUT LOCK 1/4"-20 HEX ZP	8160001	4	8160001	4						
42	KEY 3/16" SQ X 1"	9201078	2	9201078	2						
43	SCREWCAP 5/16"-18 X 1 1/4" HCS ZP	8041029	4	8041029	4						
44	WASHER 5/16" SAE	8172008	18	8172008	18						
45	NUT LOCK 5/16"-18 HEX ZP	8160002	10	8160002	10						
46	CABLE TRANS AXLE DRIVE	831309	2	831309	2						
47	SCREW SELF TAP 1/4"-20 X 5/8" HWH TYPE F	890359	4	890359	4						
48	SHAFT DRIVE 5HP QV	831206	1	-	-						
	SHAFT DRIVE 9HP QV	-	-	831230	1						
49	WASHER 5/16" FLAT	8171003	4	8171003	4						
50	KEY 3/16" SQ X 2 1/4"	9201087	1	-	-						
	KEY 1/4" SQ X 2 1/8"	-	-	9201122	1						
51	SPRING RETURN	831210	2	831210	2						
52	WASHER LOCK 5/16" SPLIT	8177011	1	-	-						
	WASHER LOCK 7/16" ST MED	-	-	8177013	1						
53	SCREWCAP 5/16 -24 X 2 1/4" GR. 8 W/PATCH	831272	1	-	-						
	SCREWCAP 7/16-20 X 2" GR. 8 ZP	-	-	500188	1						
54	WASHER 1.125 OD X 0.344 ID X 0.25	441150	1	-	-						
	WASHER 1.5 OD X 0.45 ID X 0.5 THK	-	-	440176	1						
56	SET SCREW 5/16"-18 X 5/16"	8084106	2	8084106	2						
58	SCREWCAP 5/16"-18 X 1 3/4" HCS ZP	8041030	1	8041030	1						
59	SCREWCAP 5/16"-18 X 3/4" HCS ZP	8041026	4	8041026	4						
60	BRACKET RETURN SPRING MOUNT	831310	1	831310	1						



QVSP HOOD PARTS DRAWING





QVSP Owner's Manual

QVSP HOOD PARTS LIST

ITEM	DESCRIPTION	QV550HSP PART NO.	QTY	QV900HSP PART NO.	QTY	ITEM	DESCRIPTION	QV550HSP PART NO.	QTY	QV900HSP PART NO.	QTY
2	HOUSING QV WA W/LABELS	831600	1	831600	1	90	BOLT CARRIAGE 3/8" -16 X 1"	8024058	2	8024058	2
5	BAG QV	831612	1	831612	1	92	SCREW PLASTITE 1/4"-20 X 3/4" HWH ZP	840082	1	840082	1
6	HOOD QVSP W/LABELS	831603	1	831603	1	94	CONTROL THROTTLE	440013	1	440013	1
7	NOZZLE 32"	831606	1	831606	1	95	PLATE THROTTLE	500385	1	500385	1
8	CASTER SWIVEL QV	831201	2	831201	2	96	CABLE THROTTLE	440178	1	440178	1
9	ENGINE BASE 5 HP WA SP	831105	1	-	-	97	SCREW MACH HD PHIL #10-24	830514	2	830514	2
	ENGINE BASE 9 HP WA SP	-	-	831108	1	98	NUT LOCK LT #10-24	8164005	2	8164005	2
10	HANDLE LOWER LFT	831404	1	831404	1	99	NUT FLANGE 1/4"-20	900453	2	900453	2
11	HOOD FILTER	831226	1	831226	1	100	DUST SOCK DOUBLE LAYER QV	831282	1	831282	1
12	HOOD SCOOP QVSP W/LABEL	831602	1	831602	1	101	PIN CLEVIS 0.25 X 0.50	440124	2	440124	2
13	ROD FILTER HOLDER QV	831266	1	831266	1	102	PIN CLIP HITCH_051 X 3/4"	440193	2	440193	2
14	SHIFTER CONTROL	831228	1	831228	1	103	ARM CONTROL WA	440277	1	440277	1
15	HANDLE LOWER RT	831403	1	831403	1	106	LABEL THROTTLE	810656	1	810656	1
16	HEIGHT ADJ ROD	831214	1	831214	1	107	LABEL NOZZLE QV	831261	1	831261	1
17	HEIGHT ADJ BRACKET WA	831110	1	831110	1	108	LABEL BADGING QV	831260	2	831260	2
18	HANDLE WISHBONE	831405	1	831405	1	112	BAG QV NO CLASPS SERVICE	831613	1	831613	1
19	BRACKET HANDLE SUPPORT	831222	1	831222	1	114	DUST SKIRT	831268	1	831268	1
28	SPACER HANDLE 9 HP	-	-	831229	2	115	GRIP CLUTCH CONTROL	440242	2	440242	2
29	CAP 5" VINYL BLACK	831211	1	831211	1						
30	PLATE NOZZLE WA QV	831109	1	831109	1						
31	HANDLE UPPER QV	831406	1	831406	1						
32	GRIP 1" OD X 9.5"	430342	2	430342	2						
33	ARM CLUTCH CONTROL QV WA	831116	2	831116	2						
34	BAG LATCH	840016	2	840016	2						
36	BUSHING FRAME PIVOT	831207	2	831207	2						
37	LABEL INSTRUCTION QV	831258	1	831258	1						
38	LABEL DRIVE DIRECTION	831270	1	831270	1						
44	WASHER 5/16" SAE	8172008	12	8172008	12						
45	NUT LOCK 5/16"-18 HEX ZP	8160002	33	8160002	33						
49	WASHER 5/16" FLAT	8171003	33	8171003	33						
52	WASHER LOCK 5/16" SPLIT	8177011	2	8177011	2						
58	NUT 5/16"-18 SER HEX WSHR FLNG ZP	350346	6	350346	6						
59	SCREWCAP 5/16"-18 X 3/4" HCS ZP	8041026	4	8041026	4						
61	SCREWCAP 5/16"-18 X 1" HCS ZP	8041028	6	8041028	6						
62	SCREWCAP 5/16"-18 X 1 3/4" HCS ZP	8041031	12	8041031	12						
63	SCREWCAP 1/4"-20 X 3/4"	8041004	2	8041004	2						
66	NUT LOCK 3/8" -16 HEX	8160003	4	8160003	4						
67	WASHER 3/8" FLAT	8171004	7	8171004	7						
68	SCREWCAP 5/16"-18 2 3/4" HCS ZP	8041035	2	8041035	2						
69	FRAME CASTER QV WA	831108	1	831108	1						
70	SCREWCAP 3/8"-16 X 1 1/4" HCS ZP	8041051	2	8041051	2						
72	STOP COLLAR	831216	1	831216	1						
73	PIVOT HEIGHT ADJ WA	831117	1	831117	1						
74	WASHER 2" OD X 0.344 ID X 16 GA	810652	8	810652	8						
75	NUT LOCK #10-24 HEX	8155007	8	8155007	8						
76	SCREW MACH #10-24 X 3/4"	8059136	8	8059136	8						
77	WASHER #10 SAE	8172005	12	8172005	12						
79	CONTROL MOUNT HANDLE WA	831115	2	831115	2						
80	FILTER FRAME	831223	1	831223	1						
81	WASHER LOCK 3/8" ST MED	8177012	2	8177012	2						
82	BOLT CARRIAGE 5/16"-18 X 3/4" ZP	8024039	4	8024039	4						
85	SCREWCAP 3/4"-16 X 1" HCS ZP	8041050	2	8041050	2						
86	KNOB 3/8"-18 SOLID HUB	811230	1	811230	1						
87	BUSING HEIGHT ADJ BRKT QV	831215	1	831215	1						
88	PLUG TUBE INSERT 1" OD	890132	2	890132	2						
89	SCREWCAP 5/16"-20 X 1 1/2"	8041030	1	8041030	1						