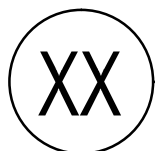


LEGEND:

- ① AIR RELIEF VALVE
- ② FINISHED GRADE
- ③ 1/2" FPT X 1/2" FPT PVC ADAPTER
- ④ IH RISER
- ⑤ FILTER FABRIC
- ⑥ PVC LATERAL PIPE
- ⑦ BRICK

NOTES

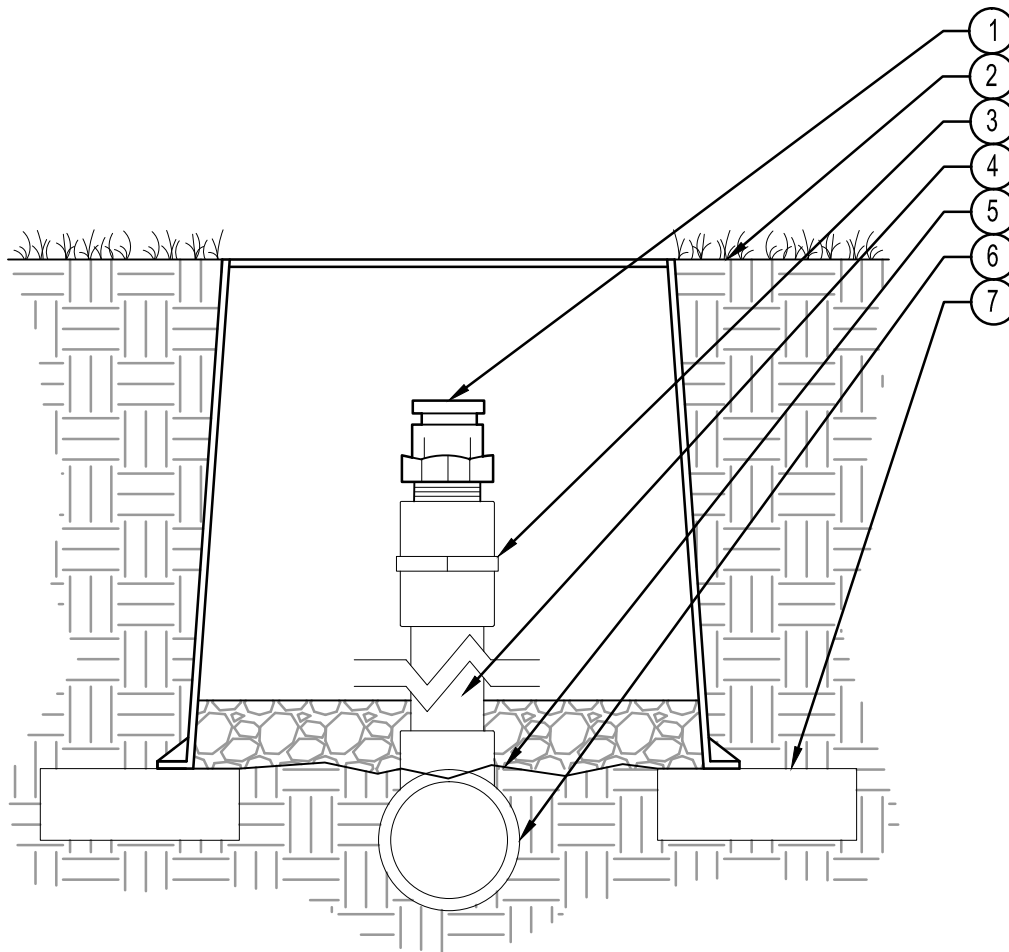
AIR RELIEF VALVE TO BE INSTALLED AT OPTIMAL HIGHEST POINT FROM CONTROL ZONE KIT. MULTIPLE AIR RELIEF VALVES MAY BE NEEDED TO ACCOMMODATE DIFFERENCES IN GRADE.



AIR RELIEF VALVE - IH RISER

Hunter HM.ARV.03

NOT TO SCALE

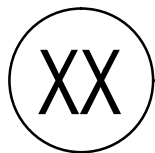


LEGEND:

- ① AIR RELIEF VALVE
- ② FINISHED GRADE
- ③ PVC FITTING
- ④ PVC RISER
- ⑤ FILTER FABRIC
- ⑥ PVC LATERAL PIPE
- ⑦ BRICK

NOTES

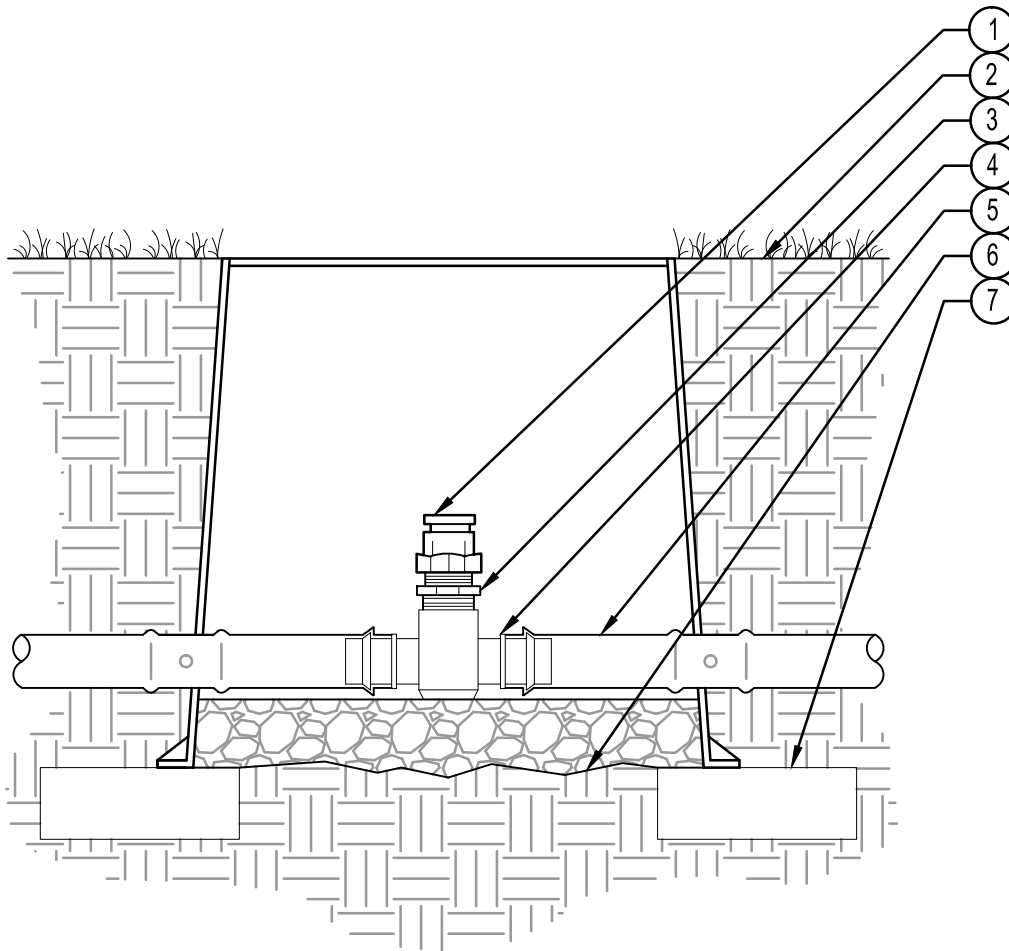
AIR RELIEF VALVE TO BE INSTALLED AT OPTIMAL HIGHEST POINT FROM CONTROL ZONE KIT. MULTIPLE AIR RELIEF VALVES MAY BE NEEDED TO ACCOMMODATE DIFFERENCES IN GRADE.



AIR RELIEF VALVE - PVC RISER

Hunter HM.ARV.01

NOT TO SCALE



LEGEND:

- ① AIR RELIEF VALVE
- ② FINISHED GRADE
- ③ 3/4" MPT X 1/2" FPT BUSHING
- ④ PLD-075-TBTEE FITTING
- ⑤ PROFESSIONAL LANDSCAPE DRIPLINE
- ⑥ FILTER FABRIC
- ⑦ BRICK

NOTES

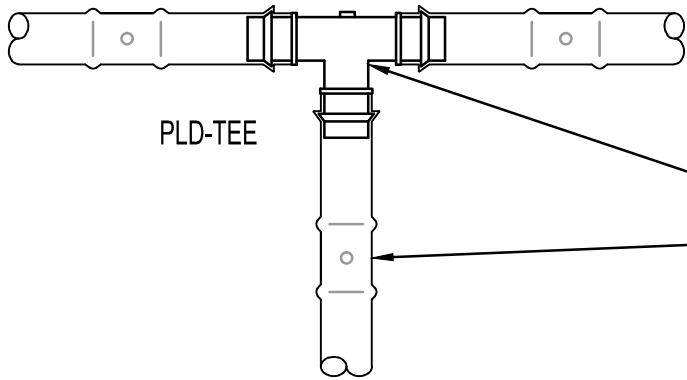
AIR RELIEF VALVE TO BE INSTALLED AT OPTIMAL HIGHEST POINT FROM CONTROL ZONE KIT. MULTIPLE AIR RELIEF VALVES MAY BE NEEDED TO ACCOMMODATE DIFFERENCES IN GRADE.



AIR RELIEF VALVE - TUBING

Hunter HM.ARV.02

NOT TO SCALE

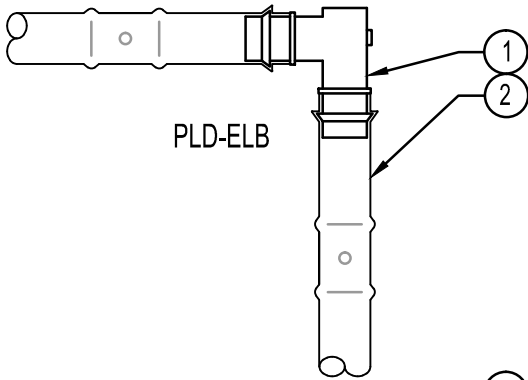


PLD-TEE

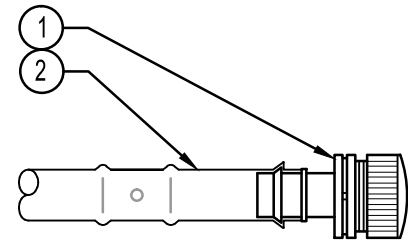
LEGEND:

① PLD FITTING

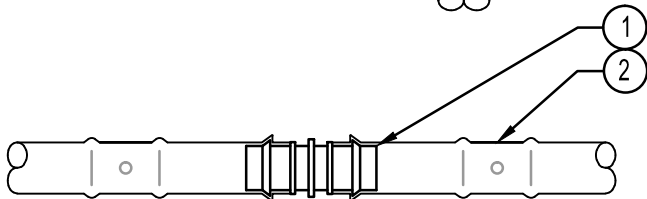
② PROFESSIONAL LANDSCAPE DRIPLINE



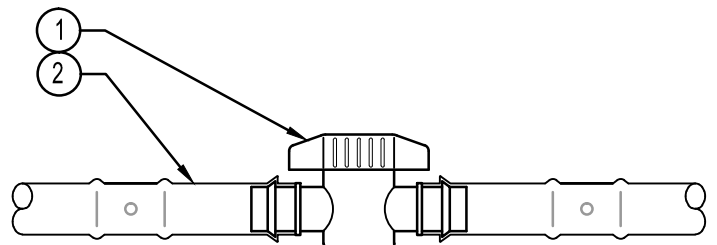
PLD-ELB



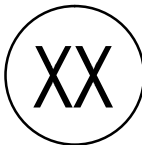
PLD-CAP



PLD-CPL



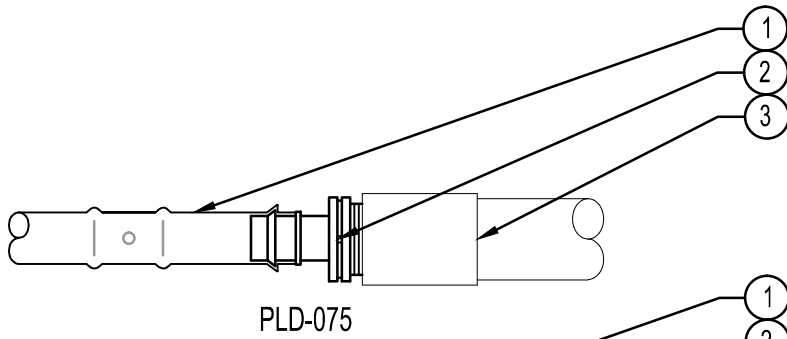
PLD-BV



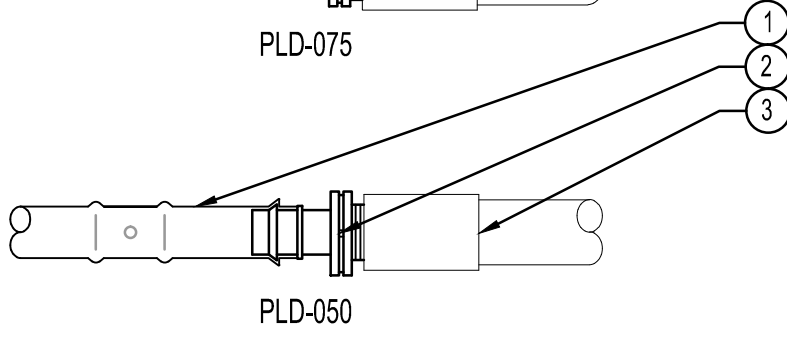
INSERT FITTINGS - POLY TO POLY

Hunter HM.FIT.02

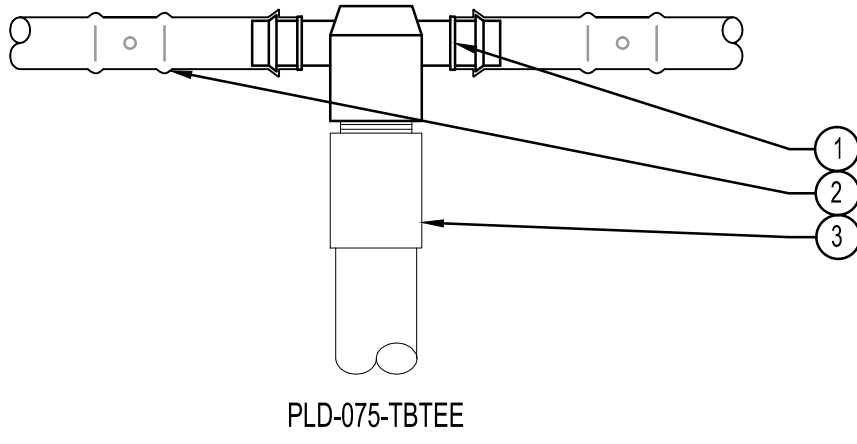
NOT TO SCALE



PLD-075



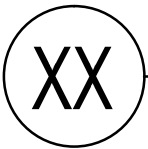
PLD-050



PLD-075-TBTEE

LEGEND:

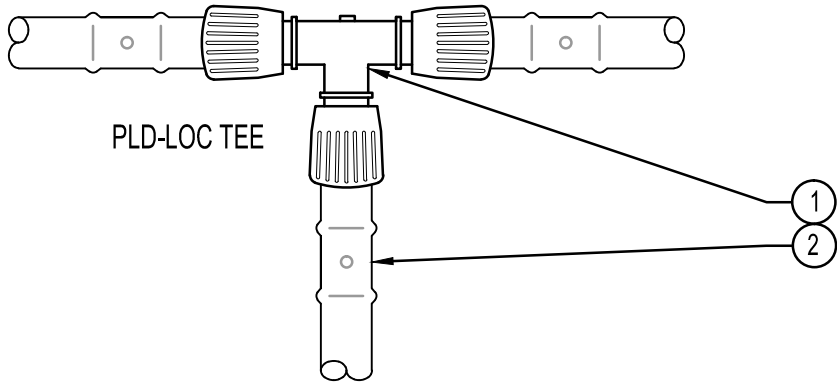
- ① PROFESSIONAL LANDSCAPE DRIPLINE
- ② PLD FITTING
- ③ PVC LATERAL - AS PER PLAN



INSERT FITTINGS - PVC TO POLY

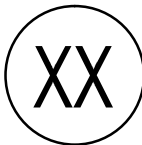
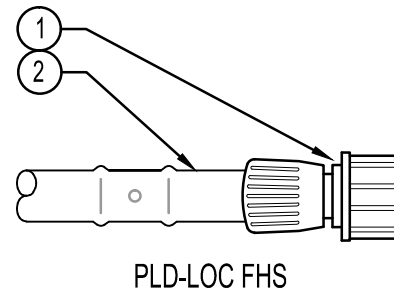
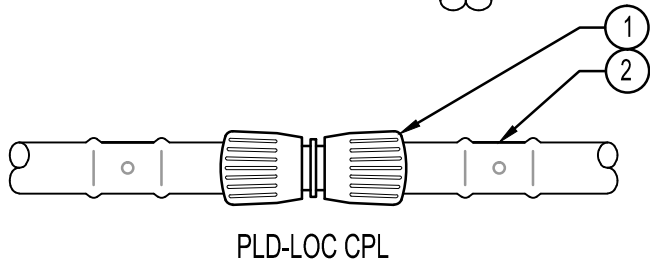
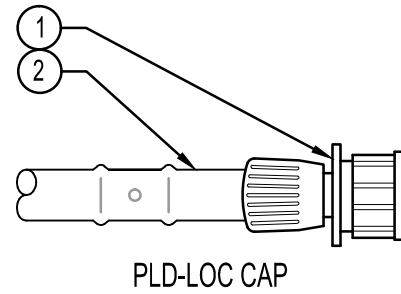
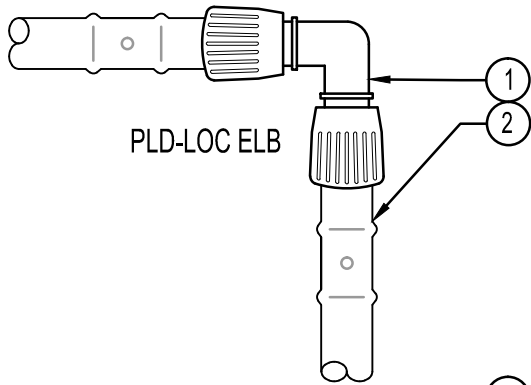
Hunter HM.FIT.01

NOT TO SCALE



LEGEND:

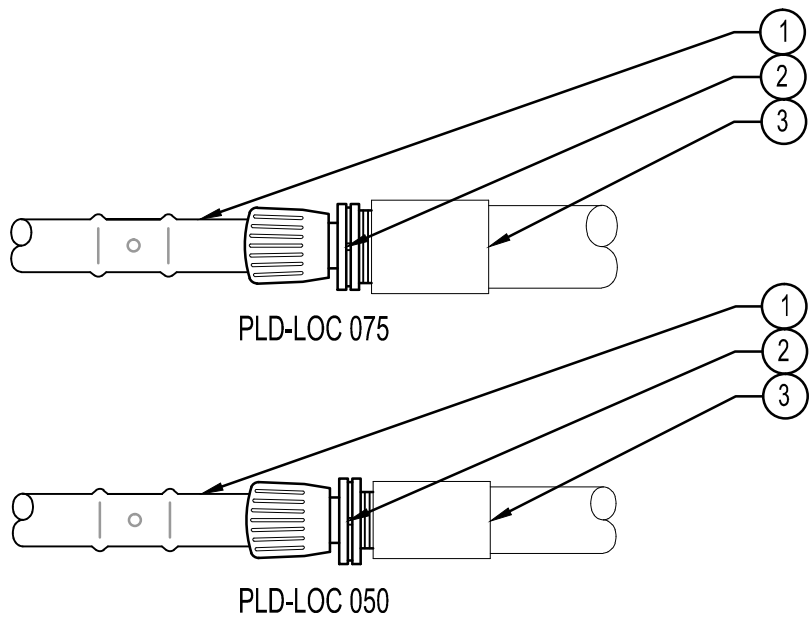
- ① PLD-LOC FITTING
- ② PROFESSIONAL LANDSCAPE DRIPLINE



PLD-LOC FITTINGS - POLY TO POLY

Hunter HM.FIT.03

NOT TO SCALE



LEGEND:

- ① PROFESSIONAL LANDSCAPE DRIPLINE
- ② PLD-LOC FITTING
- ③ PVC LATERAL - AS PER PLAN



PLC-LOC - PVC TO POLY

Hunter HM.FIT.04

NOT TO SCALE