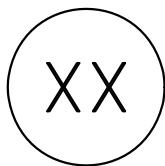
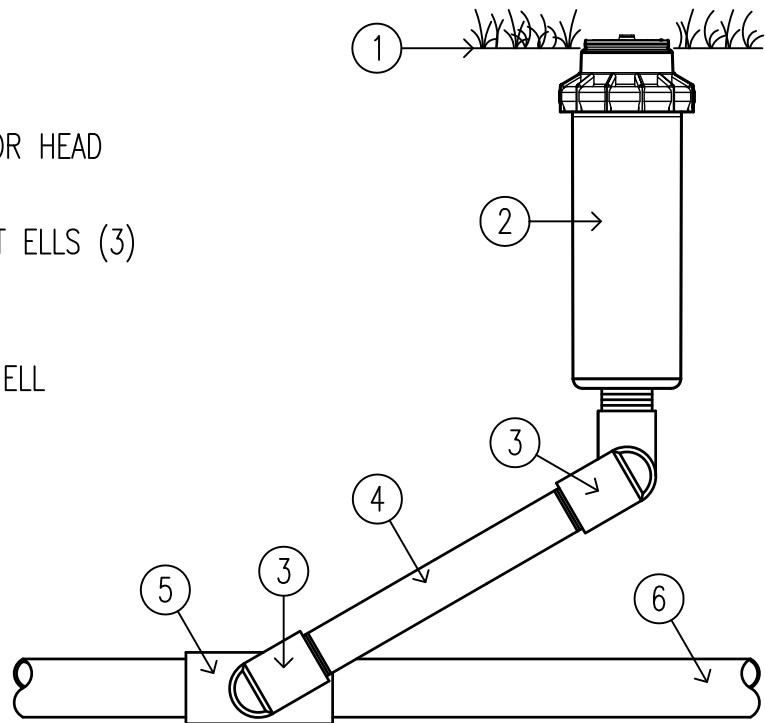


*When using larger GPM nozzles, beware of high friction loss in swing joints.

- ① FINISH GRADE
- ② MODEL PGP ROTOR HEAD
- ③ 3/4" PVC STREET ELLS (3)
- ④ SCH 80 NIPPLE
- ⑤ LATERAL TEE OR ELL
- ⑥ LATERAL PIPE

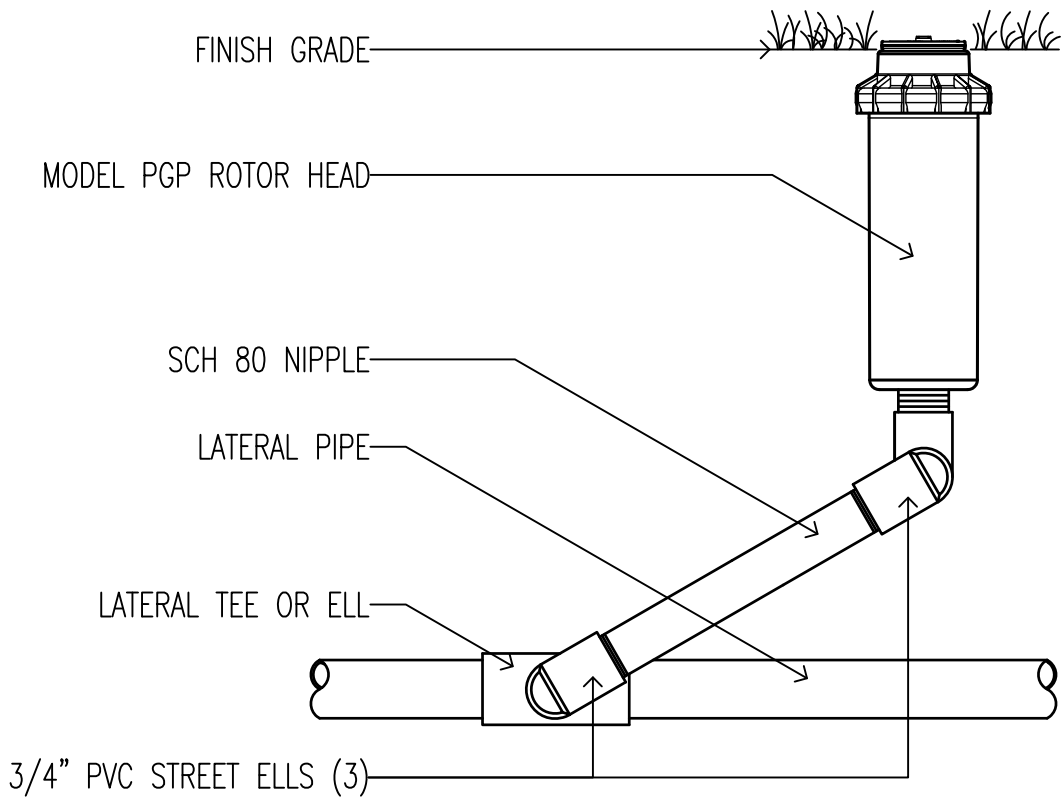


PGP ROTOR HEAD

SCALE: 3" = 1'-0"

Hunter IRRIGATION DETAIL

*When using larger GPM nozzles, beware of high friction loss in swing joints.



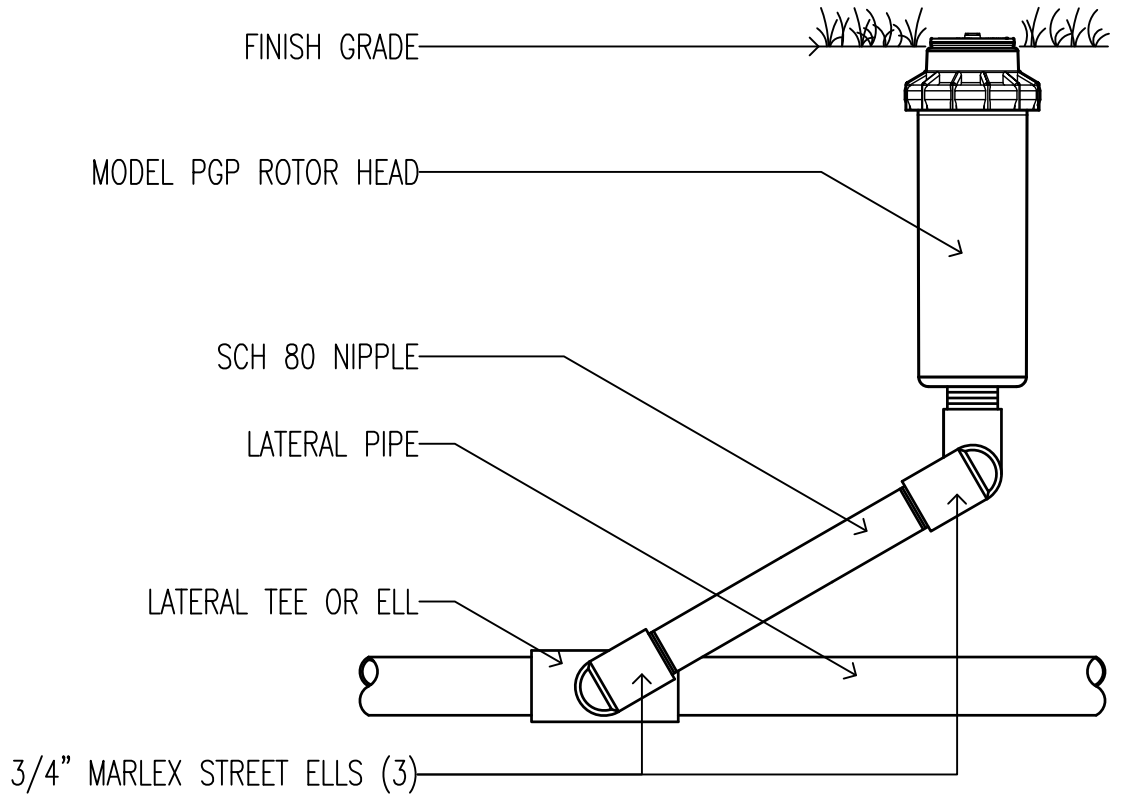
XX

PGP ROTOR HEAD

SCALE: 3" = 1'-0"

Hunter IRRIGATION DETAIL

*When using larger GPM nozzles, beware of high friction loss in swing joints.



XX

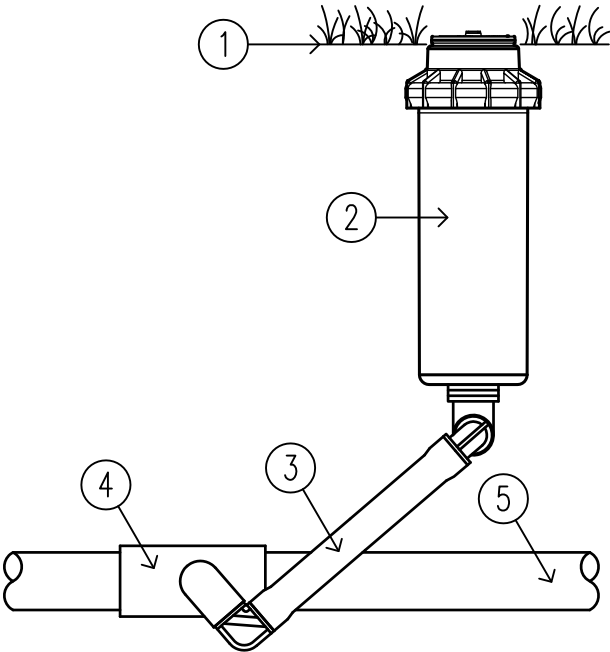
PGP ROTOR HEAD

SCALE: 3" = 1'-0"

Hunter IRRIGATION DETAIL

*When using larger GPM nozzles, beware of high friction loss in swing joints.

- ① FINISH GRADE
- ② MODEL PGP ROTOR HEAD
- ③ HUNTER SWING JOINT
MODEL SJ-7XXX
- ④ LATERAL TEE OR ELL
- ⑤ LATERAL PIPE

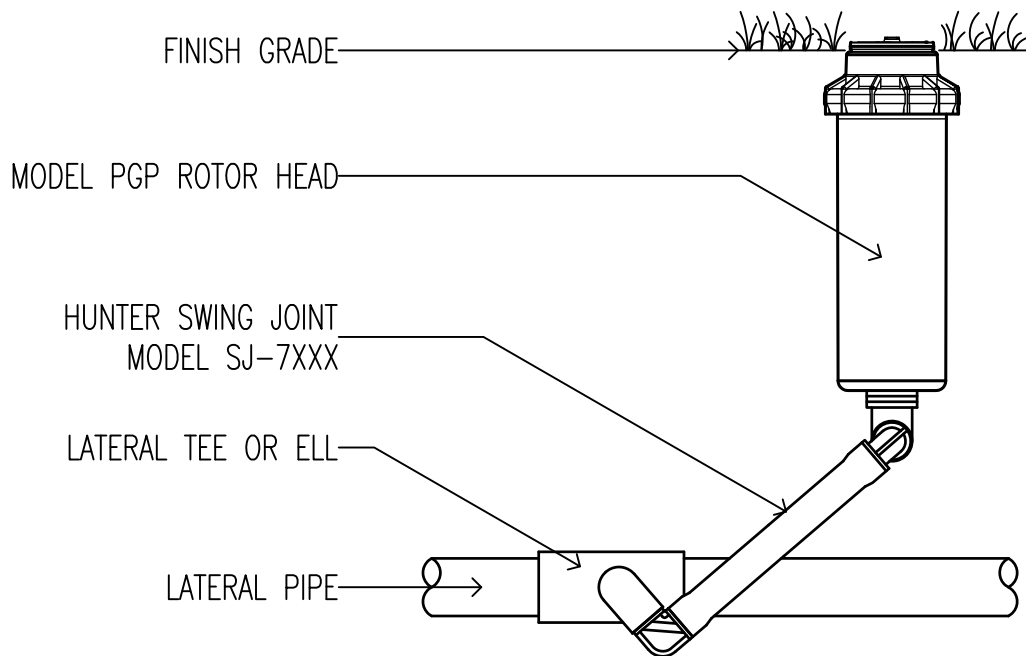


XX

PGP ROTOR HEAD

SCALE: 3" = 1'-0" Hunter IRRIGATION DETAIL

*When using larger GPM nozzles, beware of high friction loss in swing joints.



XX

PGP ROTOR HEAD

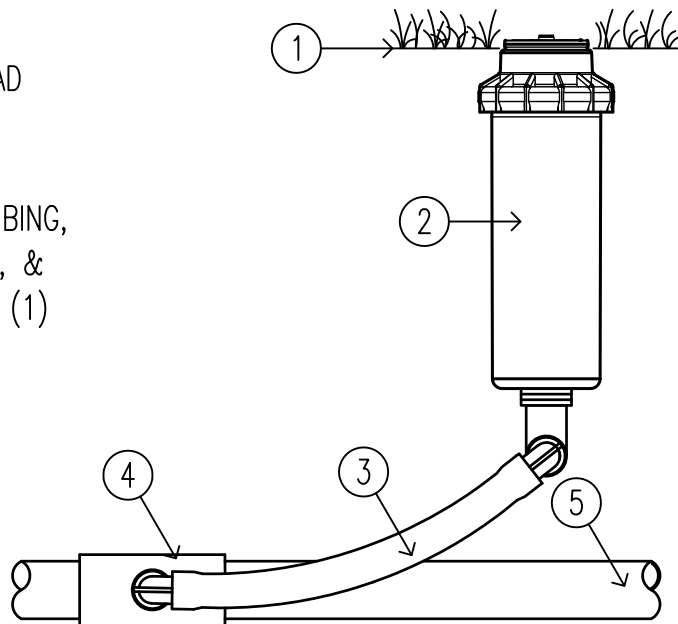
SCALE: 3" = 1'-0"

Hunter

IRRIGATION DETAIL

*When using larger GPM nozzles, beware of high friction loss in swing joints.

- ① FINISH GRADE
- ② MODEL PGP ROTOR HEAD
- SWING JOINT:
 - ③ HUNTER 'PRO-FLEX' TUBING,
HSBE-075 ELBOWS (2), &
MARLEX STREET ELBOW (1)
 - ④ LATERAL TEE OR ELL
 - ⑤ LATERAL PIPE



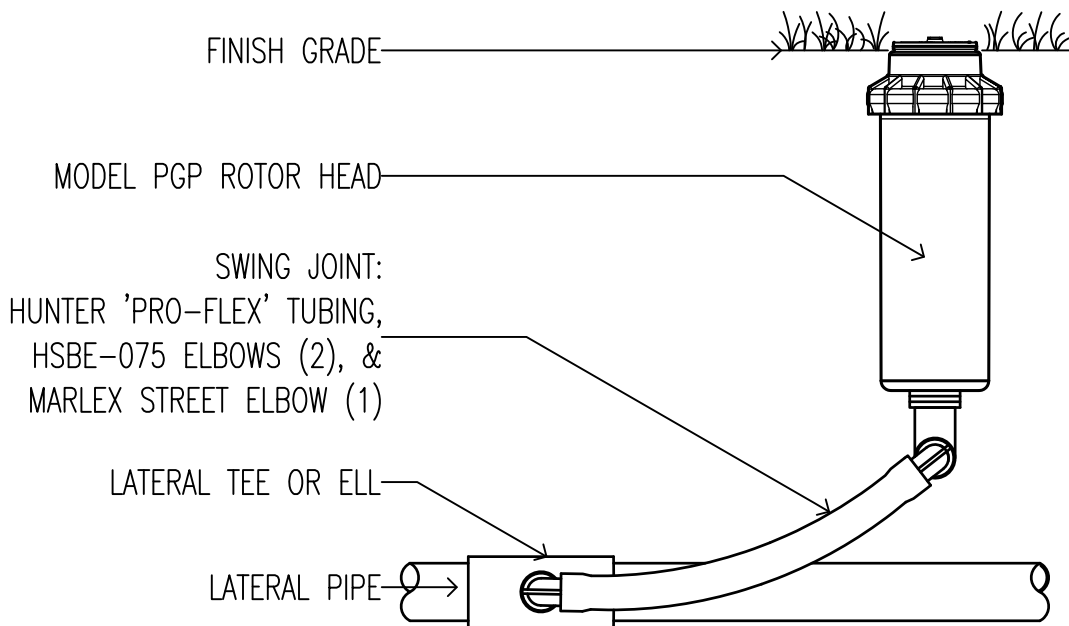
XX

PGP ROTOR HEAD

SCALE: 3" = 1'-0"

Hunter® IRRIGATION DETAIL

*When using larger GPM nozzles, beware of high friction loss in swing joints.



XX

PGP ROTOR HEAD

SCALE: 3" = 1'-0"

Hunter IRRIGATION DETAIL