

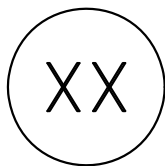
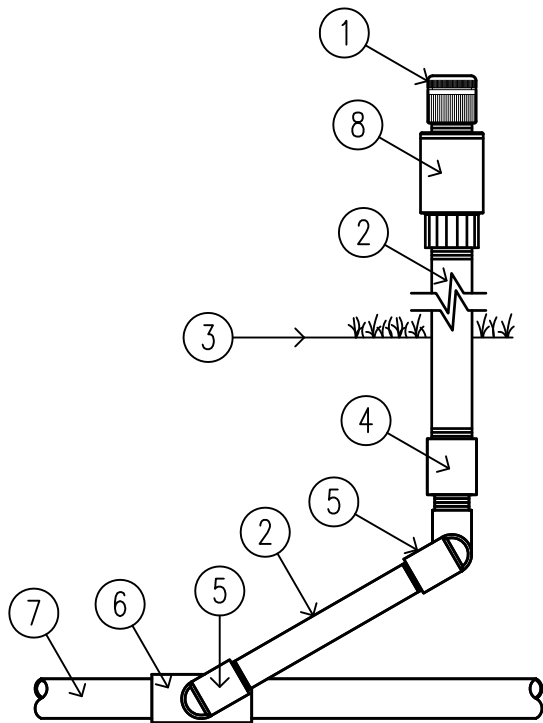
XX

PCB BUBBLER

SCALE: 3" = 1'-0"

Hunter IRRIGATION DETAIL

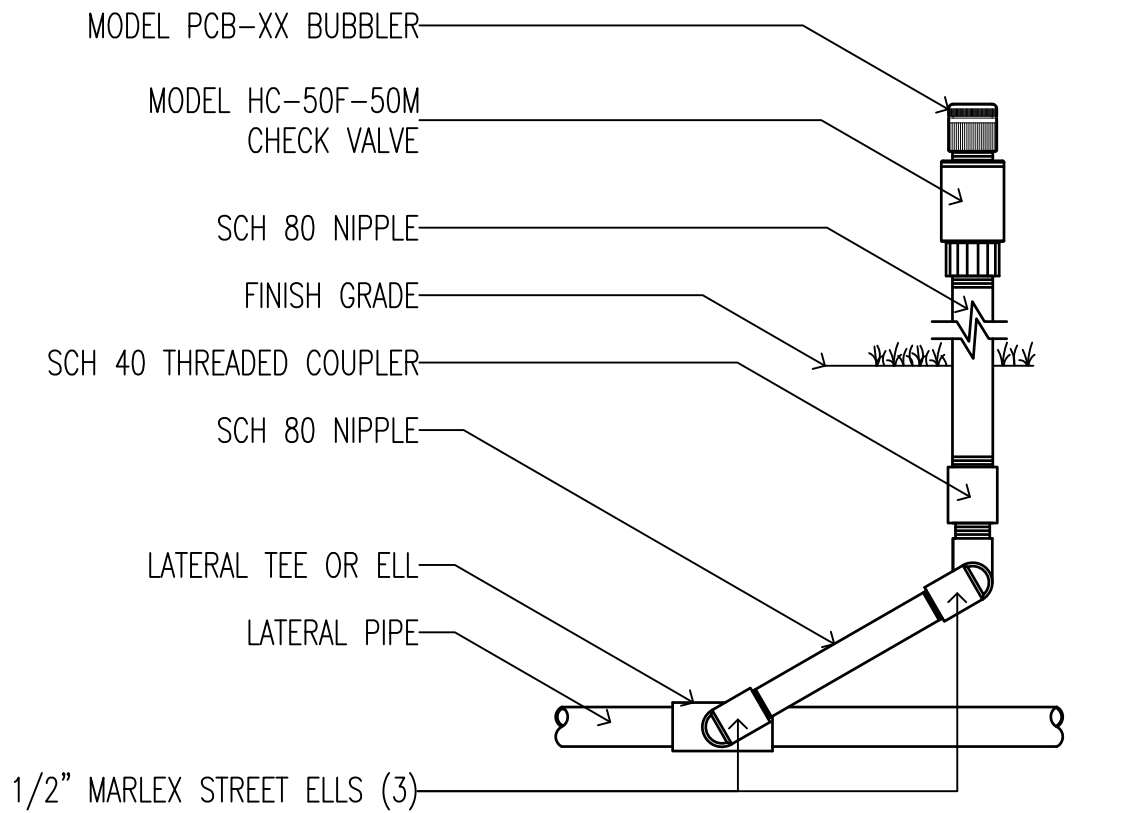
- ① MODEL PCB-XX BUBBLER
- ② SCH 80 NIPPLE
- ③ FINISH GRADE
- ④ SCH 40 THREADED COUPLER
- ⑤ 1/2" MARLEX STREET ELLS (3)
- ⑥ LATERAL TEE OR ELL
- ⑦ LATERAL PIPE
- ⑧ MODEL HC-50F-50M CHECK VALVE



PCB BUBBLER

SCALE: 3" = 1'-0"

Hunter IRRIGATION DETAIL



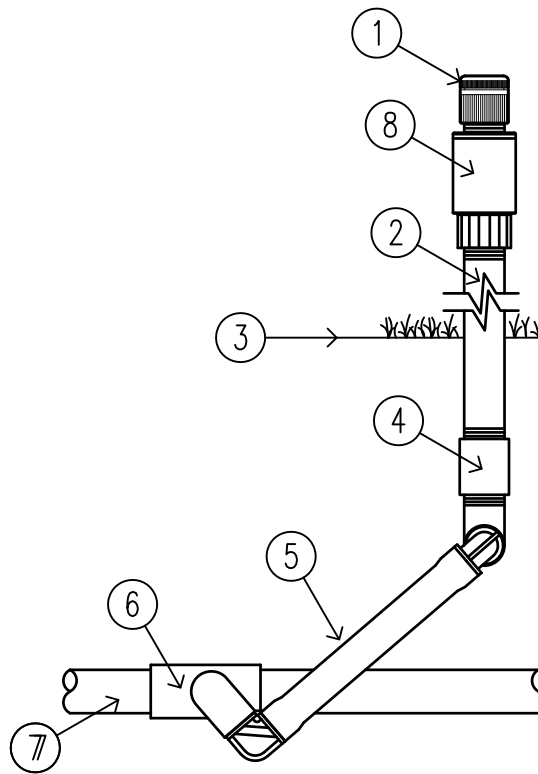
XX

PCB BUBBLER

SCALE: 3" = 1'-0"

Hunter IRRIGATION DETAIL

- ① MODEL PCB-XX BUBBLER
- ② SCH 80 NIPPLE
- ③ FINISH GRADE
- ④ SCH 40 THREADED COUPLER
- ⑤ HUNTER SWING JOINT
MODEL SJ-5XX-X
- ⑥ LATERAL TEE OR ELL
- ⑦ LATERAL PIPE
- ⑧ MODEL HC-50F-50M
CHECK VALVE

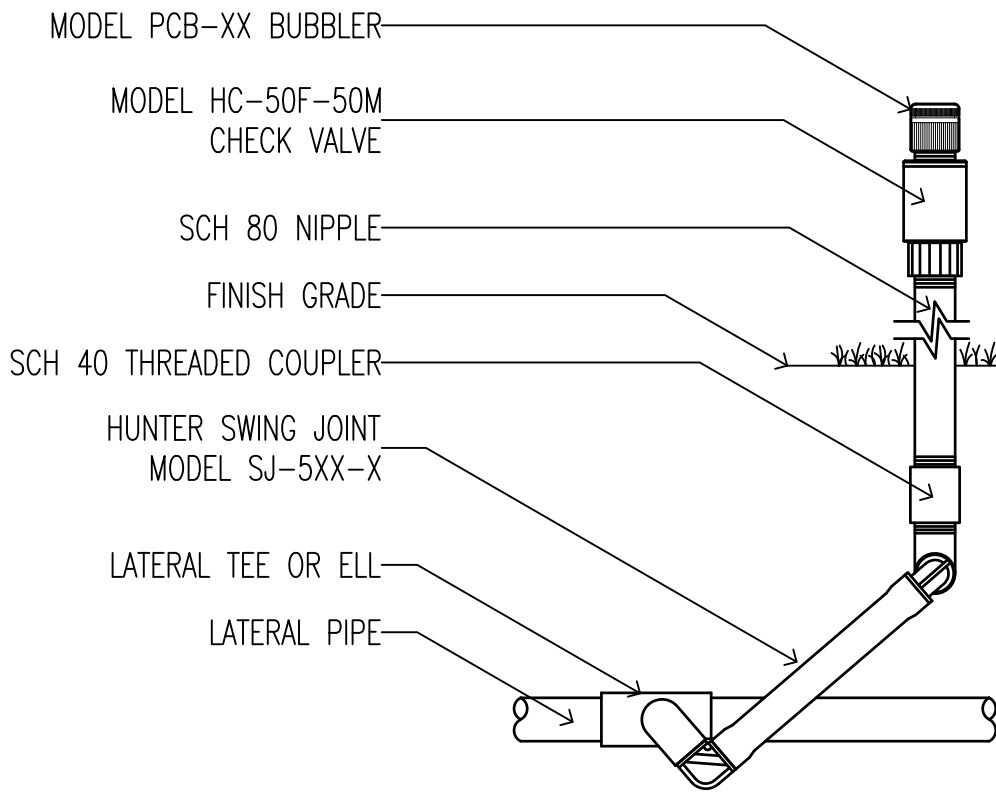


XX

PCB BUBBLER

SCALE: 3" = 1'-0"

Hunter® IRRIGATION DETAIL



XX

PCB BUBBLER

SCALE: 3" = 1'-0"



IRRIGATION DETAIL

① MODEL PCB-XX BUBBLER

② SCH 80 NIPPLE

③ FINISH GRADE

④ SCH 40 THREADED COUPLER

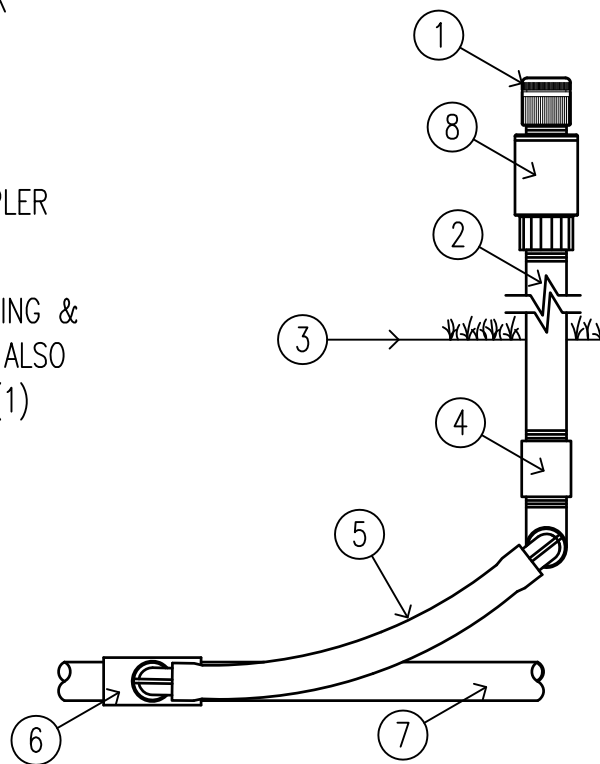
PRO FLEX SWING JOINT:

⑤ HUNTER 'PRO-FLEX' TUBING &
HSBE-050 ELBOWS (2), ALSO
MARLEX STREET ELBOW (1)

⑥ LATERAL TEE OR ELL

⑦ LATERAL PIPE

⑧ MODEL HC-50F-50M
CHECK VALVE

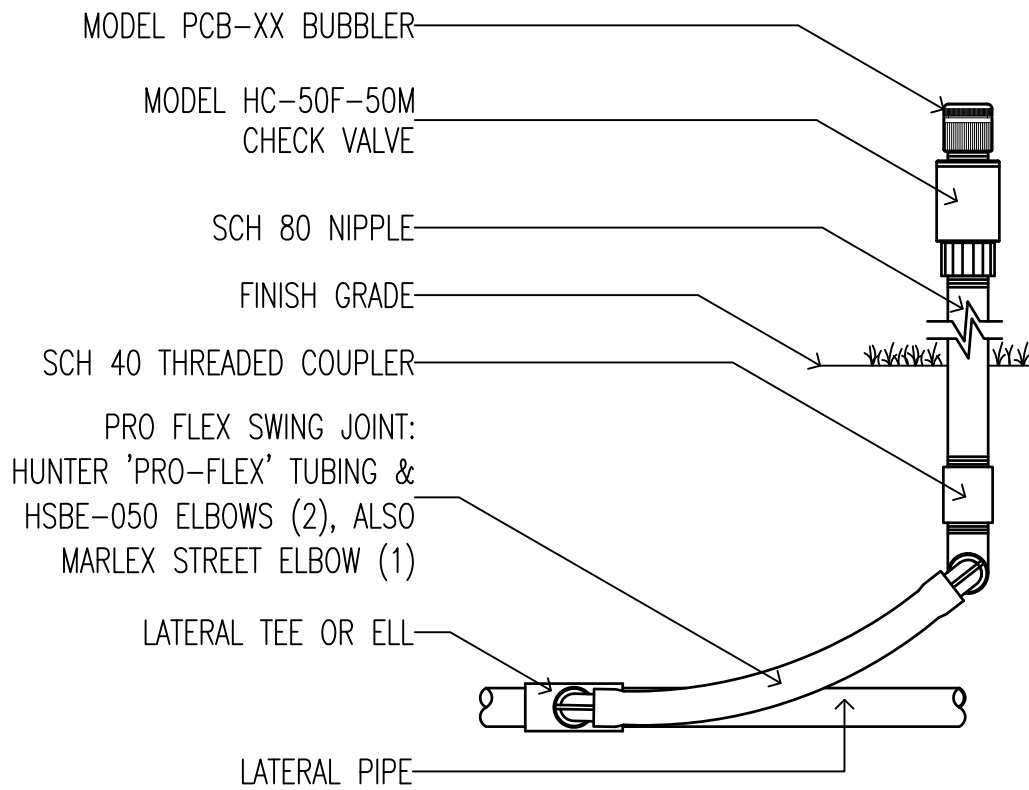


XX

PCB BUBBLER

SCALE: 3" = 1'-0"

Hunter IRRIGATION DETAIL



XX

PCB BUBBLER

SCALE: 3" = 1'-0"

Hunter IRRIGATION DETAIL

① MODEL PCB BUBBLER

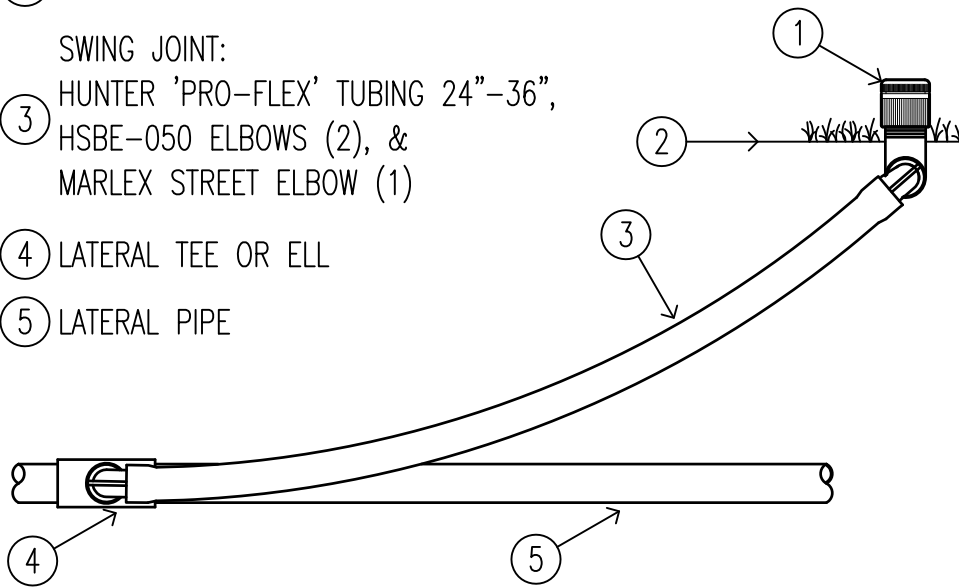
② FINISH GRADE

SWING JOINT:

③ HUNTER 'PRO-FLEX' TUBING 24"-36",
HSBE-050 ELBOWS (2), &
MARLEX STREET ELBOW (1)

④ LATERAL TEE OR ELL

⑤ LATERAL PIPE

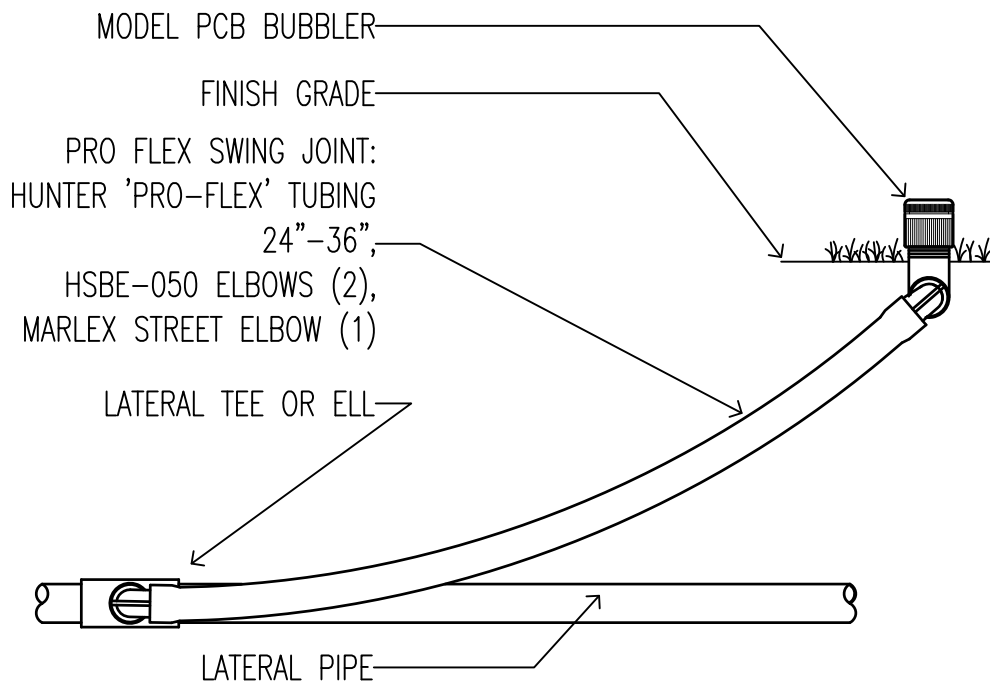


XX

PCB BUBBLER

SCALE: 3" = 1'-0"

Hunter IRRIGATION DETAIL



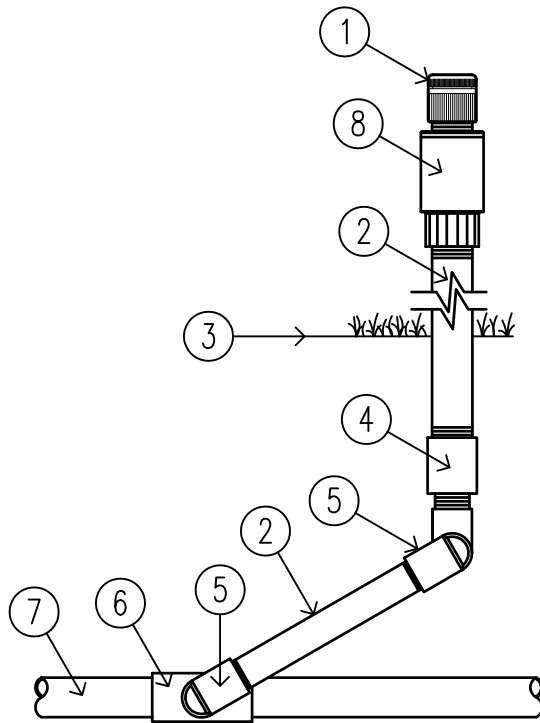
XX

PCB BUBBLER

SCALE: 3" = 1'-0"

Hunter IRRIGATION DETAIL

- ① MODEL PCB-XX BUBBLER
- ② SCH 80 NIPPLE
- ③ FINISH GRADE
- ④ SCH 40 THREADED COUPLER
- ⑤ 1/2" PVC STREET ELLS (3)
- ⑥ LATERAL TEE OR ELL
- ⑦ LATERAL PIPE
- ⑧ MODEL HC-50F-50M CHECK VALVE



XX

PCB BUBBLER

SCALE: 3" = 1'-0"

Hunter IRRIGATION DETAIL