



Accessories for ECHO products can be found at:

Los accesorios para los productos ECHO se pueden encontrar en:

www.echo-usa.com/products/catalogs

OPTIONAL ACCESSORIES & ATTACHMENTS:

| | |
|------------------------------|-------------|
| Rain Gutter Kit | 99944100025 |
| Curved Tip Blower Tube | E165000160 |

ACCESORIOS OPCIONALES

| | |
|---|-------------|
| Juego de canaletas para limpiezas | 99944100025 |
| Tubo de Soplado de punta curva | E165000160 |

BULK PIPE / TUBO AL POR MAYOR

| | |
|--------------------------------|-------|
| 3×5mm black/negro | 90014 |
| 3×6mm black/negro | 90015 |
| 3×7mm black/negro | 90016 |
| 3×6mm clear/transparente | 90017 |
| 2×4mm clear/transparente | 90018 |

BULK STARTER ROPE

CUERDA DEL ARRANCADOR AL POR MAYOR

| | |
|---|-------------|
| Diameter / diámetro 2.3 mm (3/32 in.)..... | 99944435000 |
| Diameter / diámetro 3.0 mm (1/8 in.)..... | 99944440000 |
| Diameter / diámetro 3.5 mm (9/64 in.)..... | 99944445000 |
| Diameter / diámetro 4.0 mm (5/32 in.)..... | 99944450000 |
| Diameter / diámetro 4.4 mm (11/64 in.)..... | 99944455000 |
| Diameter / diámetro 4.8 mm (3/16 in.)..... | 99944460000 |

ECHO, INCORPORATED

400 Oakwood Road, Lake Zurich, Illinois 60047

WWW.ECHO-USA.COM

©2015 ECHO, Incorporated. All Rights Reserved

**PARTS CATALOG
LISTA DE PIEZAS**

**PB-580T
Backpack Blower
PB-580T Soplador de mochila**



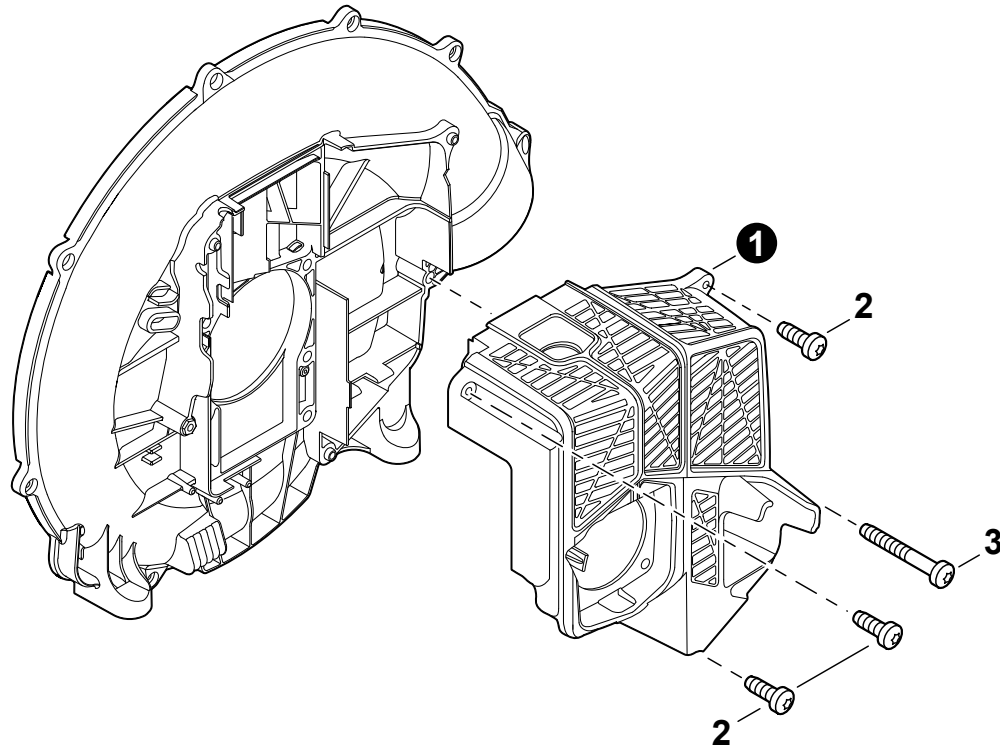
58.2 cc

**SERIAL NUMBER
NÚMERO DE SERIE**

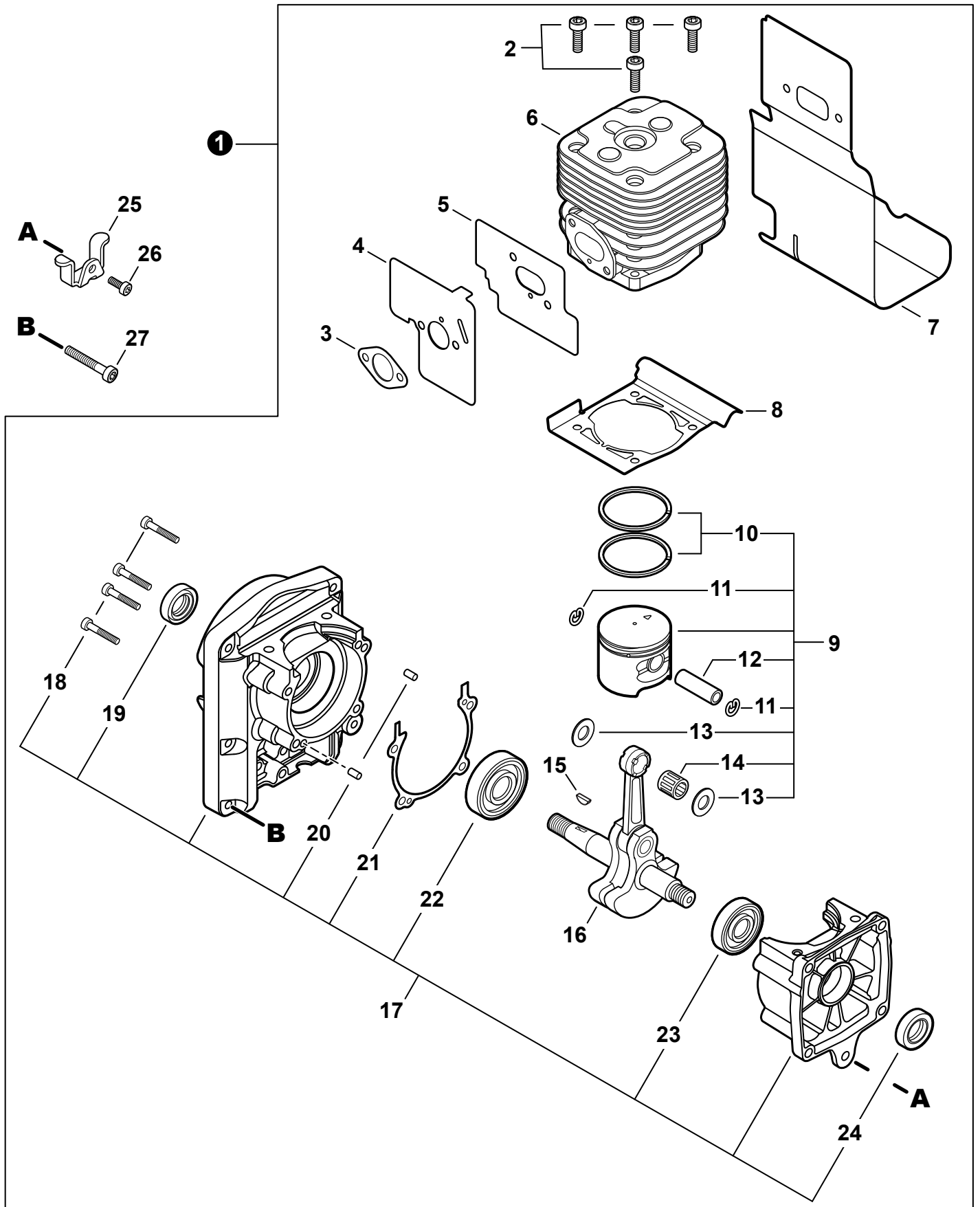
P44614001001 - P44614999999

P/N 99922204298
REVISED 06/28/16

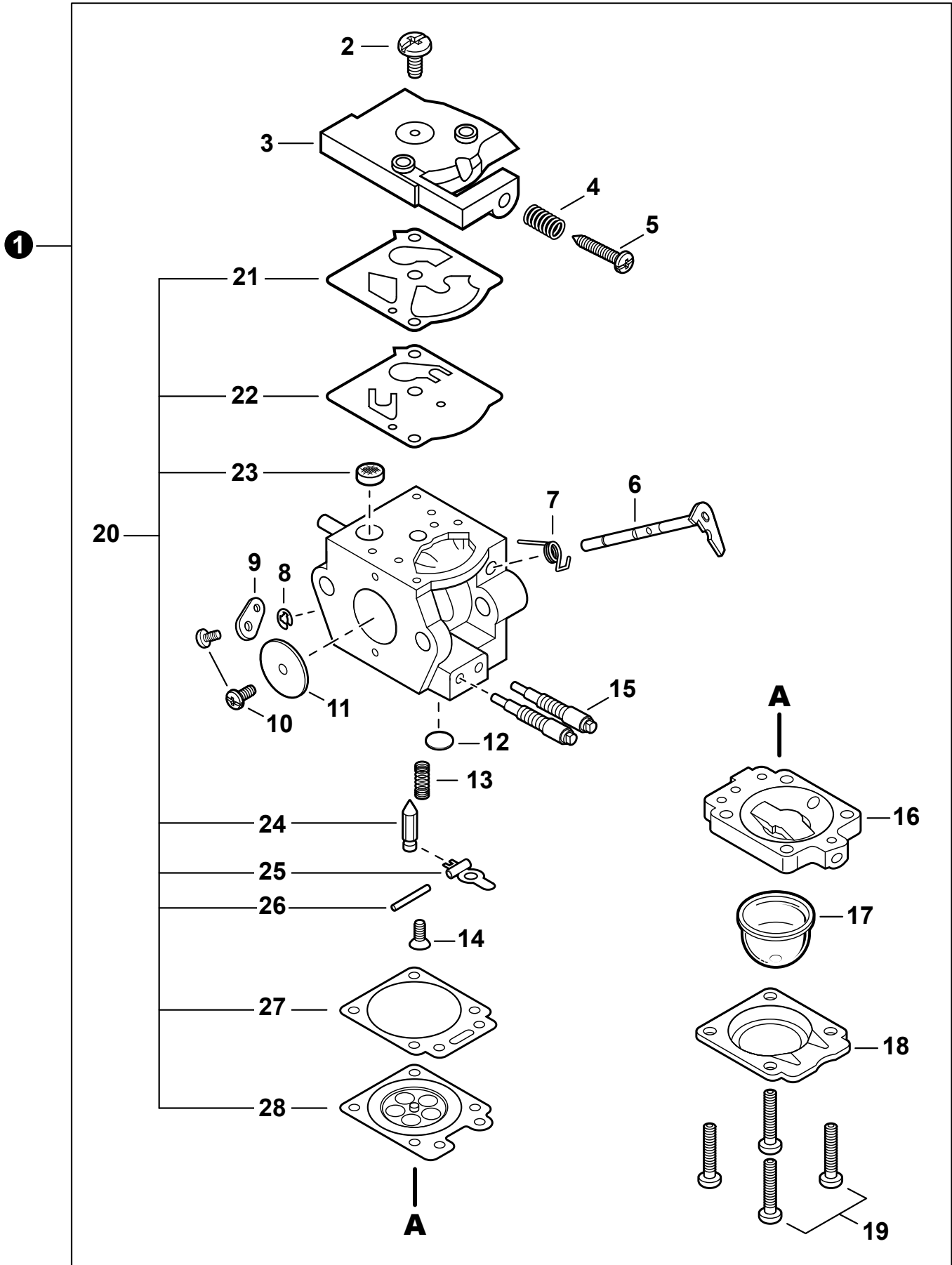
| | |
|--|-----------|
| Engine Cover | 3 |
| Cubierta del motor | |
| Engine | 4 |
| Motor | |
| Engine | 5 |
| Motor | |
| Carburetor | 6 |
| Carburador | |
| Carburetor | 7 |
| Carburador | |
| Intake | 8 |
| Admisión | |
| Exhaust | 9 |
| Escape | |
| Ignition | 10 |
| Encendido | |
| Starter | 11 |
| Arrancador Autorretráctil | |
| Fuel System | 12 |
| Sistema de combustible | |
| Harness, Backpack Frame, Debris Guard | 13 |
| Arnés , Armazón de mochila, Protector contra residuos | |
| Fan Case | 14 |
| Cubierta del ventilador | |
| Throttle Control S/N: P44614001001-P44614003591 | 15 |
| Control del acelerador N/S: P44614001001-P44614003591 | |
| Throttle Control S/N: P44614003592-P44614039030 | 16 |
| Control del acelerador N/S: P44614003592-P44614039030 | |
| Throttle Control S/N: P44614039031-P44614123797 | 17 |
| Control del acelerador N/S: P44614039031-P44614123797 | |
| Throttle Control S/N: P44614123798-P44614999999 | 18 |
| Control del acelerador N/S: P44614123798-P44614999999 | |
| Blower Tubes | 19 |
| Tubos de la soplador | |
| Labels | 20 |
| Etiquetas | |
| Maintenance Kits - RePower | 21 |
| Equipo de Mantenimiento - RePower | |



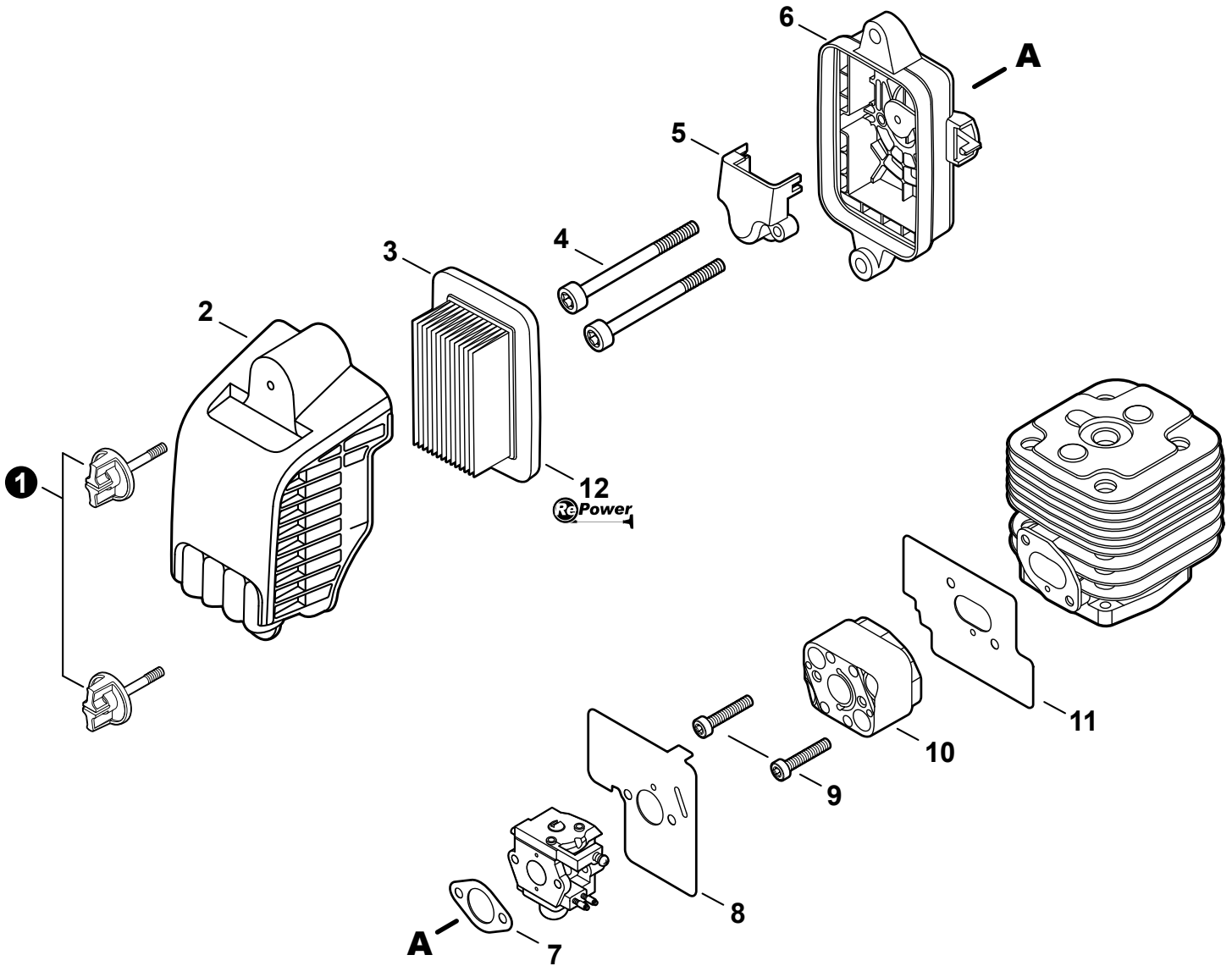
| NO. | PART NUMBER | QTY. | DESCRIPTION | DESCRIPCIÓN |
|-----|-------------|------|-----------------|--------------------|
| 1 | A190001480 | 1 | COVER, ENGINE | CUBIERTA DEL MOTOR |
| 2 | V805000010 | 3 | BOLT, TORX 5×20 | PERNO TORX 5×20 |
| 3 | V805000040 | 1 | BOLT, TORX 5×55 | PERNO TORX 5×55 |



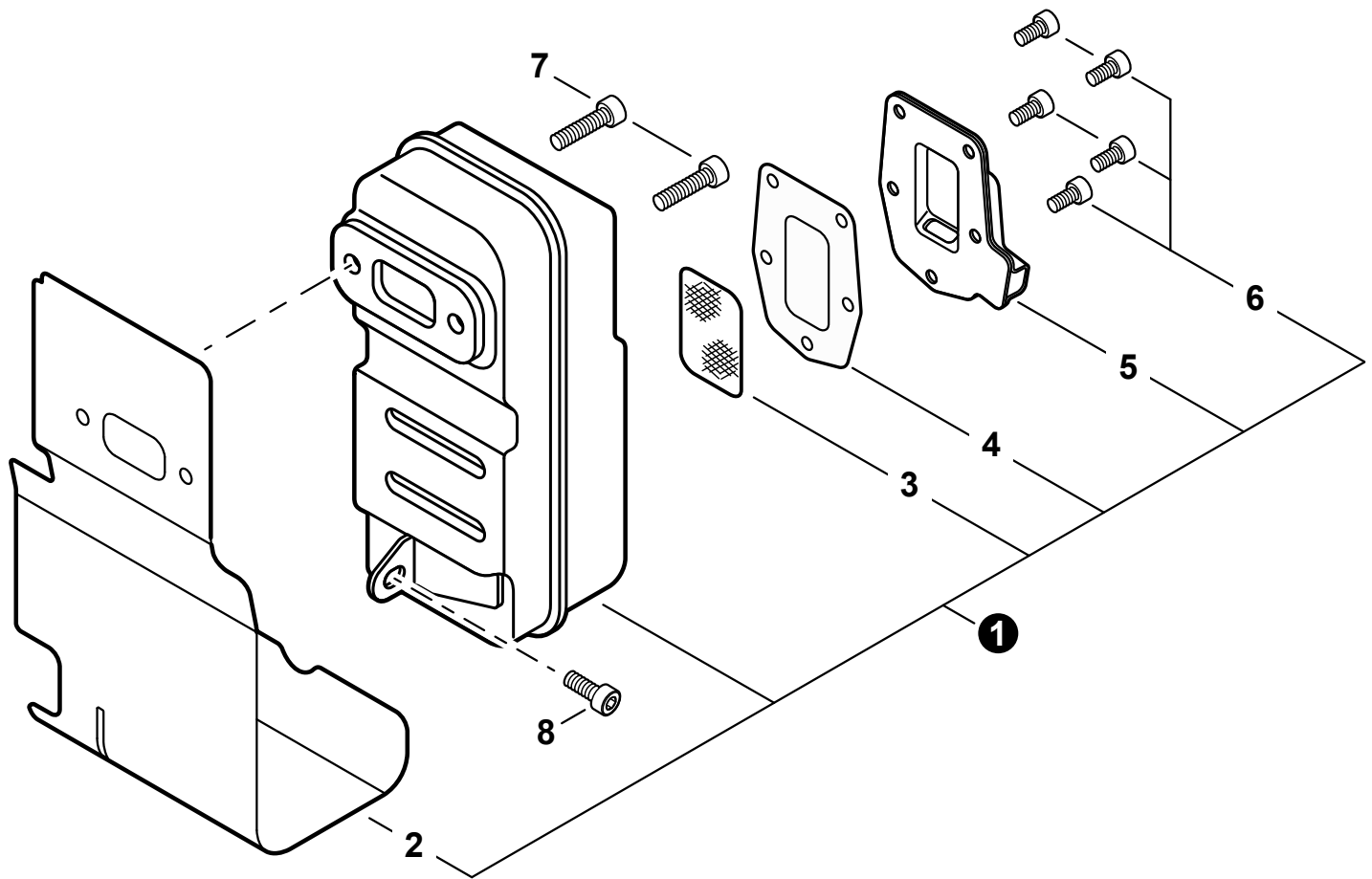
| NO. | PART NUMBER | QTY. | DESCRIPTION | DESCRIPCIÓN |
|-----|-------------|------|-------------------------|----------------------------------|
| 1 | SB1113 | 1 | SHORT BLOCK | BLOQUE CORTO |
| 2 | V805000210 | 4 | +BOLT, TORX 5×20 | +PERNO TORX 5×20 |
| 3 | V103001790 | 1 | +GASKET, INTAKE | +EMPAQUETADURA DE ADMISIÓN |
| 4 | V103001780 | 1 | +GASKET, INTAKE | +EMPAQUETADURA DE ADMISIÓN |
| 5 | V103001770 | 1 | +HEAT SHIELD, INTAKE | +PROTECTOR TÉRMICO DEL ADMISIÓN |
| 6 | A130002250 | 1 | +CYLINDER | +CILINDRO |
| 7 | V104002230 | 1 | +HEAT SHIELD, EXHAUST | +PROTECTOR TÉRMICO DEL ESCAPE |
| 8 | V100000811 | 1 | +GASKET, CYLINDER | +EMPAQUETADURA DE CILINDRO |
| 9 | P021048140 | 1 | +PISTON KIT | +JUEGO DE PISTÓN |
| 10 | 10001132330 | 2 | ++RING, PISTON | ++ANILLO DEL PISTÓN |
| 11 | V580000010 | 2 | ++RING, SNAP Ø10 | ++ANILLO RETENEDOR Ø10 |
| 12 | V608000000 | 1 | ++PIN, PISTON 10 | ++PASADOR DEL PISTÓN 10 |
| 13 | 10001417330 | 2 | ++WASHER, THRUST | ++ARANDELA DE EMPUJE |
| 14 | V555000010 | 1 | ++BEARING, NEEDLE 10 | ++COJINETE DE AGUJAS 10 |
| 15 | 90032303014 | 1 | +KEY, WOODRUFF 3×14 | +CHAVETA WOODRUFF 3×14 |
| 16 | A011001390 | 1 | +CRANKSHAFT | +CIGÜEÑAL |
| 17 | P021048150 | 1 | +CRANKCASE KIT | +JUEGO DE CARTER |
| 18 | V805000180 | 4 | ++BOLT, TORX 5×30 | ++PERNO TORX 5×30 |
| 19 | 10021300310 | 1 | ++SEAL, OIL | ++SELLO DE ACEITE |
| 20 | 90033040080 | 2 | ++PIN, LOCATING 4×8 | ++PASADOR DE POSICIONAMIENTO 4×8 |
| 21 | V102000270 | 1 | ++GASKET, CRANKCASE | ++EMPAQUETADURA DE CÁRTER |
| 22 | 9400036302 | 1 | ++BEARING, BALL 6302 C3 | ++COJINETE DE BALINES 6302 C3 |
| 23 | 90081036202 | 1 | ++BEARING, BALL 6202 | ++COJINETE DE BALINES 6202 |
| 24 | V508000100 | 1 | ++SEAL, OIL 15 | ++SELLO DE ACEITE 15 |
| 25 | V401000600 | 1 | CUSHION 5 | AMORTIGUADOR 5 |
| 26 | V805000140 | 1 | BOLT, TORX 5×12 | PERNO TORX 5×12 |
| 27 | V805000180 | 6 | BOLT, TORX 5×30 | PERNO TORX 5×30 |



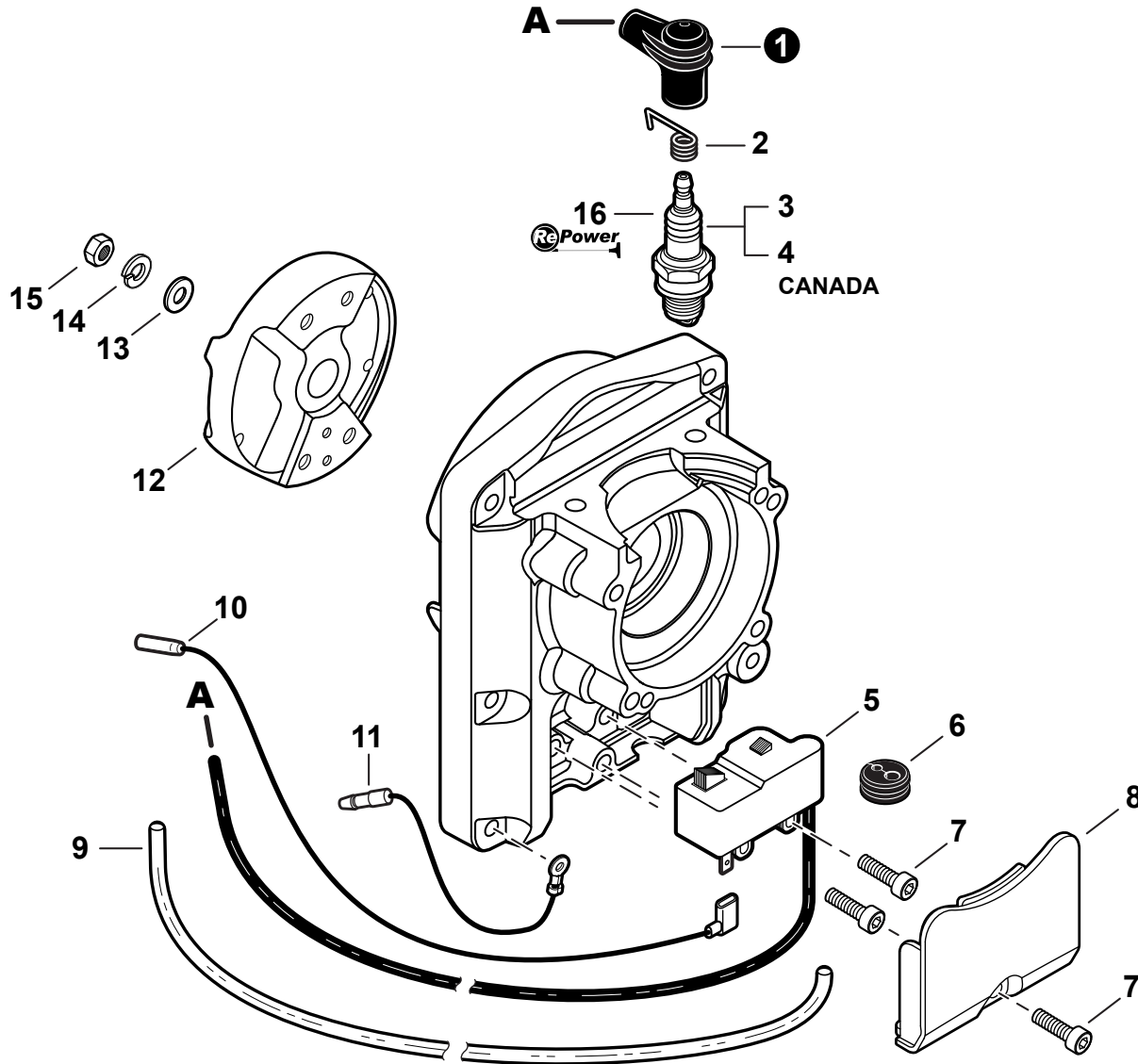
| NO. | PART NUMBER | QTY. | DESCRIPTION | DESCRIPCIÓN |
|-----|-------------|------|------------------------------|---------------------------------------|
| 1 | A021004331 | 1 | CARBURETOR WTA-35 | CARBURADOR WTA-35 |
| 2 | 12311003930 | 1 | +SCREW | +TORNILLO |
| 3 | P003005960 | 1 | +COVER, FUEL PUMP | +CUBIERTA DE LA BOMBA DE COMBUSTIBLE |
| 4 | 12313304260 | 1 | +SPRING, IDLE ADJUST | +RESORTE PARA AJUSTAR EL RALENTÍ |
| 5 | P003001400 | 1 | +SCREW, IDLE ADJUST | +TORNILLO PARA AJUSTAR EL RALENTI |
| 6 | P003005530 | 1 | +SHAFT, THROTTLE | +EJE DEL ACELERADOR |
| 7 | P003003890 | 1 | +SPRING | +RESORTE |
| 8 | 12312715030 | 1 | +E-RING | +RETENEDOR TIPO "E" |
| 9 | P003003910 | 1 | +LEVER, THROTTLE | +PALANCA DE ACELERADOR |
| 10 | 12311438830 | 2 | +SCREW | +TORNILLO |
| 11 | 12311610530 | 1 | +VALVE, THROTTLE | +VÁLVULA DEL ACELERADOR |
| 12 | 12314610631 | 1 | +PLUG, WELCH | +TAPÓN WELCH |
| 13 | 12312203660 | 1 | +SPRING, METERING LEVER | +RESORTE PALANCA DE MEDICIÓN |
| 14 | P003005400 | 1 | +SCREW | +TORNILLO |
| 15 | P003005880 | 2 | +NEEDLE, MIXTURE | +AGUJA DE REGULACION |
| 16 | 12318046130 | 1 | +BODY ASSY, PURGE | +MONTAJE DE CUERPO DE PURGA |
| 17 | 12318140630 | 1 | +BULB, PURGE | +BULBO DE PURGA |
| 18 | 12314205560 | 1 | +RETAINER, PURGE BULB | +SUJETADOR DE BULBO DE PURGA |
| 19 | 12314402960 | 4 | +SCREW | +TORNILLO |
| 20 | P033000080 | 1 | +REPAIR KIT, CARBURETOR | +JUEGO DE REPARACIÓN DE CARBURADOR |
| 21 | | 1 | ++GASKET, PUMP | ++EMPAQUETADURA DE LA BOMBA |
| 22 | | 1 | ++DIAPHRAGM, PUMP | ++DIAFRAGMA DE LA BOMBA |
| 23 | | 1 | ++SCREEN, FUEL INLET | ++MALLA FILTRADORA |
| 24 | | 1 | ++VALVE, INLET NEEDLE | ++VÁLVULA REGULADORA |
| 25 | | 1 | ++LEVER, METERING | ++PALANCA DE MEDICIÓN |
| 26 | | 1 | ++PIN, METERING LEVER | ++PASADOR DE PALANCA DE MEDICIÓN |
| 27 | | 1 | ++GASKET, METERING DIAPHRAGM | ++EMPAQUETADURA DIAFRAGMA DE MEDICIÓN |
| 28 | | 1 | ++DIAPHRAGM, METERING | ++DIAFRAGMA DE MEDICIÓN |



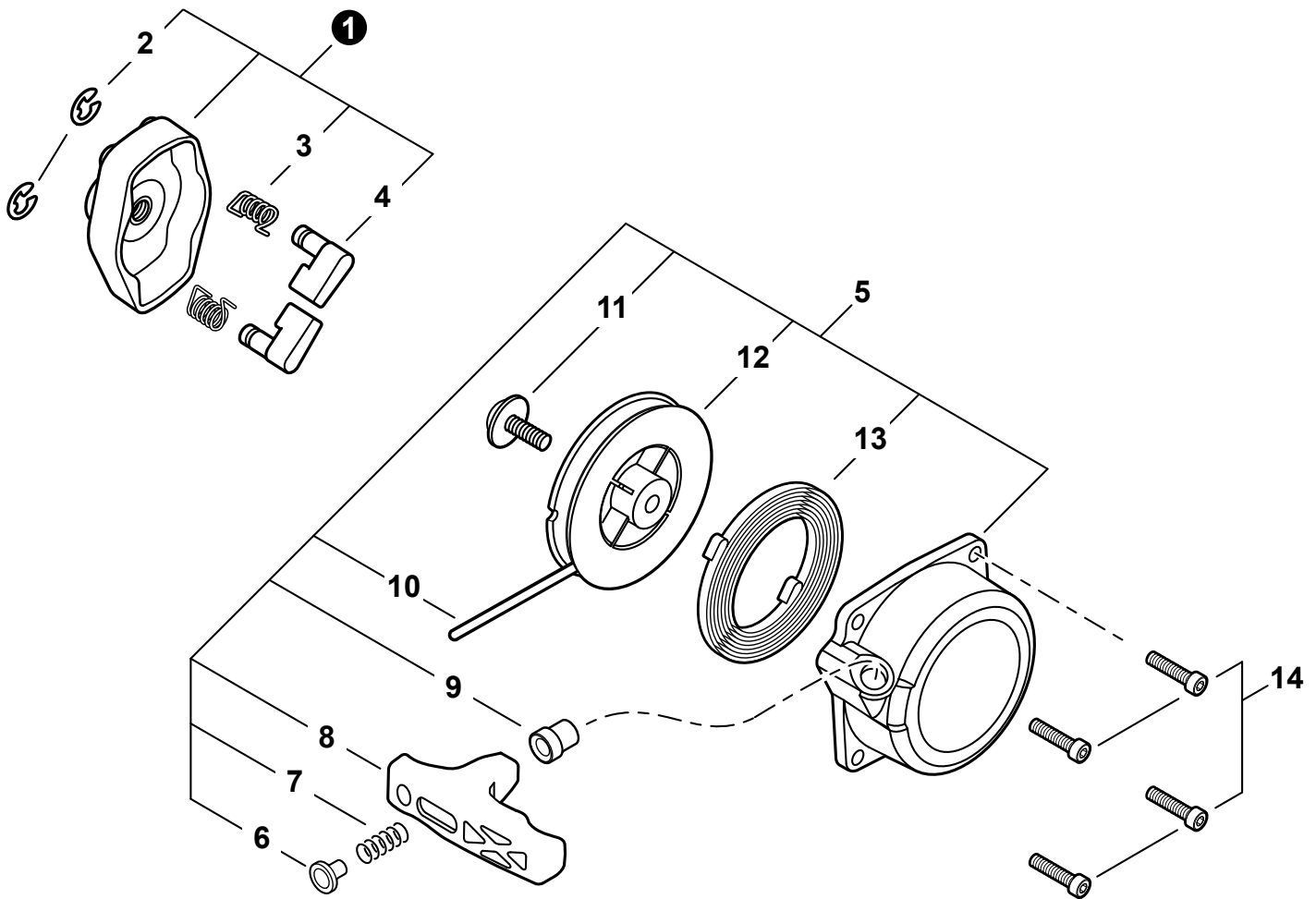
| NO. | PART NUMBER | QTY. | DESCRIPTION | DESCRIPCIÓN |
|-----|-------------|------|------------------------|--|
| 1 | A235000380 | 2 | KNOB, AIR FILTER COVER | PERILLA DE CUBIERTA DEL FILTRO DE AIRE |
| 2 | A232001780 | 1 | COVER, AIR FILTER | CUBIERTA DEL FILTRO DE AIRE |
| 3 | A226000032 | 1 | FILTER, AIR | FILTRO DE AIRE |
| 4 | V805000340 | 2 | BOLT, TORX 5×60 | PERNO TORX 5×60 |
| 5 | A244000300 | 1 | PLATE, PREVENT | PLACA DE PREVENCIÓN |
| 6 | P021047960 | 1 | CASE, AIR FILTER | CAJA DEL FILTRO DE AIRE |
| 7 | V103001790 | 1 | GASKET, INTAKE | EMPAQUETADURA DE ADMISIÓN |
| 8 | V103001780 | 1 | GASKET, INTAKE | EMPAQUETADURA DE ADMISIÓN |
| 9 | V805000220 | 2 | BOLT, TORX 5×25 | PERNO TORX 5×25 |
| 10 | A200001040 | 1 | INSULATOR, INTAKE | AISLADOR DE ADMISIÓN |
| 11 | V103001770 | 1 | HEAT SHIELD, INTAKE | PROTECTOR TÉRMICO DEL ADMISIÓN |
| 12 | 90156 | 1 | TUNE-UP KIT - REPOWER | JUEGO DE PUESTA A PUNTO - REPOWER |



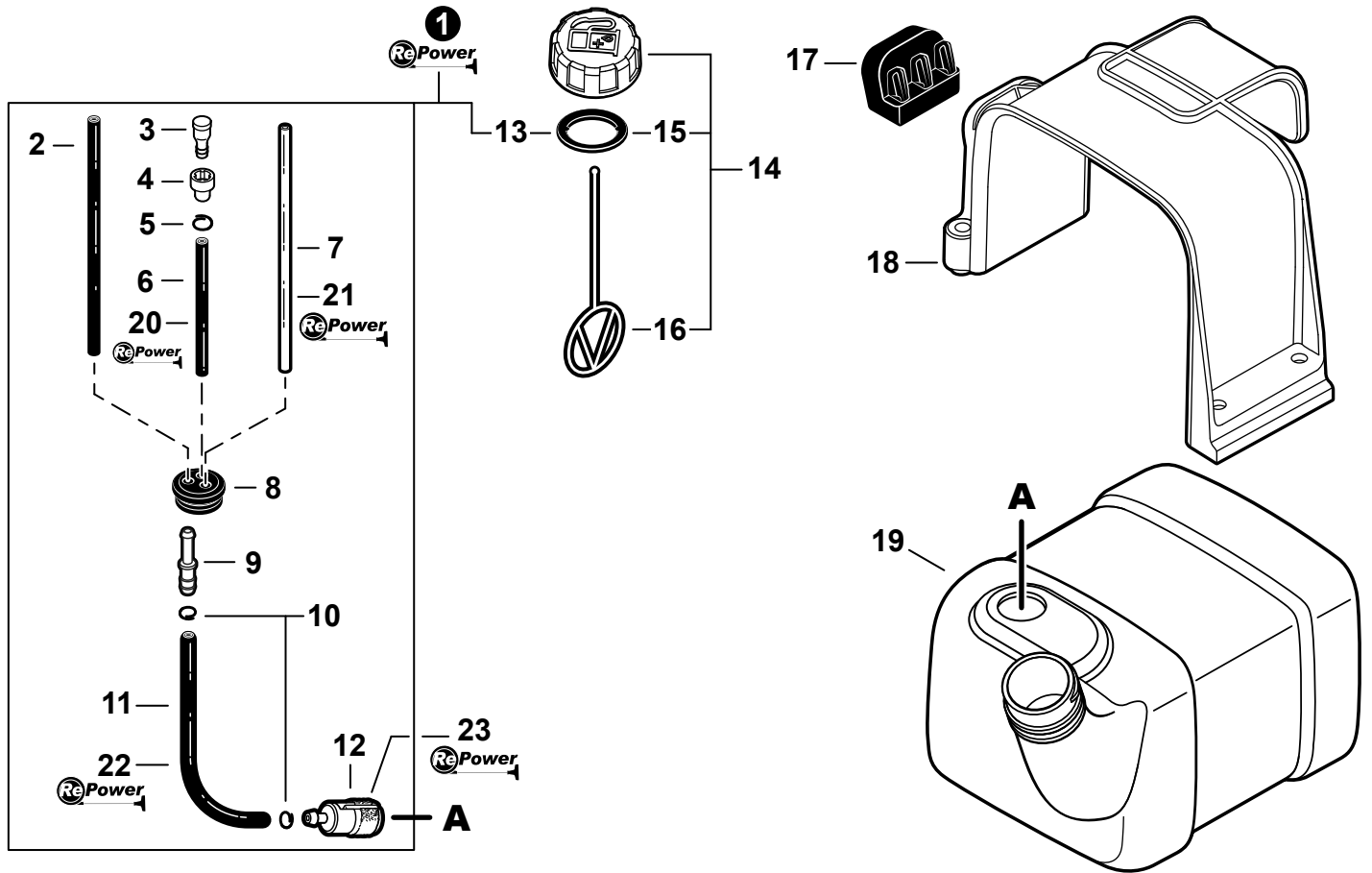
| NO. | PART NUMBER | QTY. | DESCRIPTION | DESCRIPCIÓN |
|-----|-------------|------|-------------------------|-------------------------------|
| 1 | P021048160 | 1 | MUFFLER ASSY | MONTAJE DE SILENCIADOR |
| 2 | V104002230 | 1 | +HEAT SHIELD, EXHAUST | +PROTECTOR TÉRMICO DEL ESCAPE |
| 3 | 14586206720 | 1 | +SCREEN, SPARK ARRESTER | +PANTALLA DEL GUARDACHISPAS |
| 4 | V104002220 | 1 | +GASKET, EXHAUST | +EMPAQUETADURA DE ESCAPE |
| 5 | A313001630 | 1 | +GUIDE, EXHAUST | +GUÍA DE ESCAPE |
| 6 | V804000040 | 5 | +BOLT, TORX 4×10 | +PERNO TORX 4×10 |
| 7 | 90010506020 | 2 | BOLT 6×20 | PERNO 6×20 |
| 8 | V805000250 | 1 | BOLT, TORX 5×16 | PERNO TORX 5×16 |



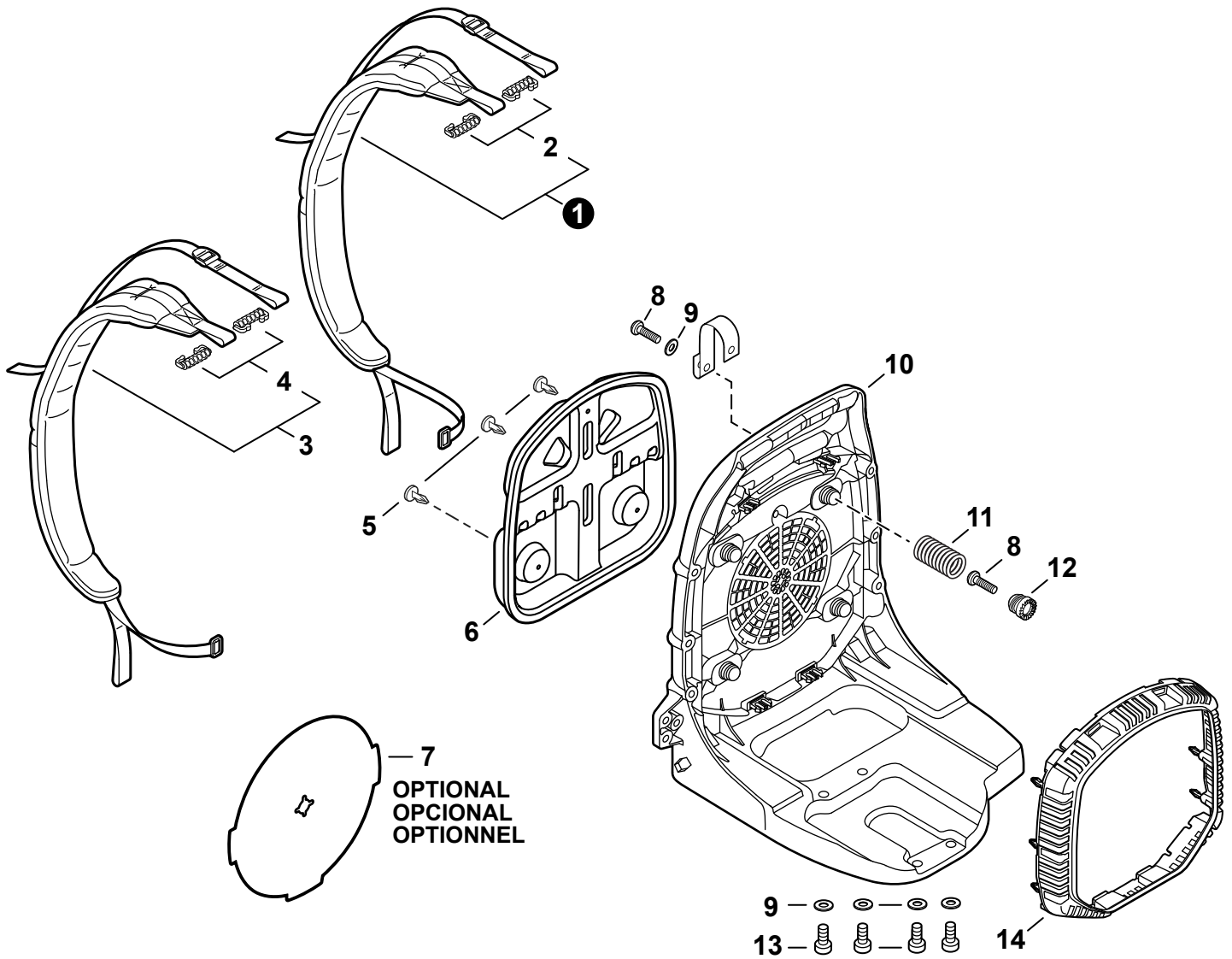
| NO. | PART NUMBER | QTY. | DESCRIPTION | DESCRIPCIÓN |
|-----|-------------|------|-----------------------|-----------------------------------|
| 1 | 15901203433 | 1 | CAP, SPARK PLUG | TAPA DE BUJÍA |
| 2 | 15901103432 | 1 | TERMINAL, SPARK PLUG | TERMINAL DE BUJÍA |
| 3 | 15901019830 | 1 | SPARK PLUG - BPM8Y | BUJÍA BPM8Y |
| 4 | A425000000 | 1 | SPARK PLUG - BPMR8Y | BUJÍA BPMR8Y |
| 5 | A411001620 | 1 | COIL, IGNITION | BOBINA DE ENCENDIDO |
| 6 | 15111204630 | 1 | GROMMET | OJAL |
| 7 | V805000250 | 3 | BOLT, TORX 5×16 | PERNO TORX 5×16 |
| 8 | A127000420 | 1 | COVER, DUST | CUBIERTA ANTIPOLVO |
| 9 | V475008320 | 1 | TUBE | TUBO |
| 10 | V485002780 | 1 | LEAD - IGNITION | CABLE DE ENCENDIDO |
| 11 | V485002770 | 1 | LEAD - GROUND | CABLE DE TIERRA |
| 12 | A409001270 | 1 | FLYWHEEL | VOLANTE |
| 13 | 90060200010 | 1 | WASHER 10 | ARANDELA 10 |
| 14 | 90060500010 | 1 | WASHER, SPRING 10 | ARANDELA DE PRESION 10 |
| 15 | 90050100010 | 1 | NUT 10 | TUERCA 10 |
| 16 | 90156 | 1 | TUNE-UP KIT - REPOWER | JUEGO DE PUESTA A PUNTO - REPOWER |



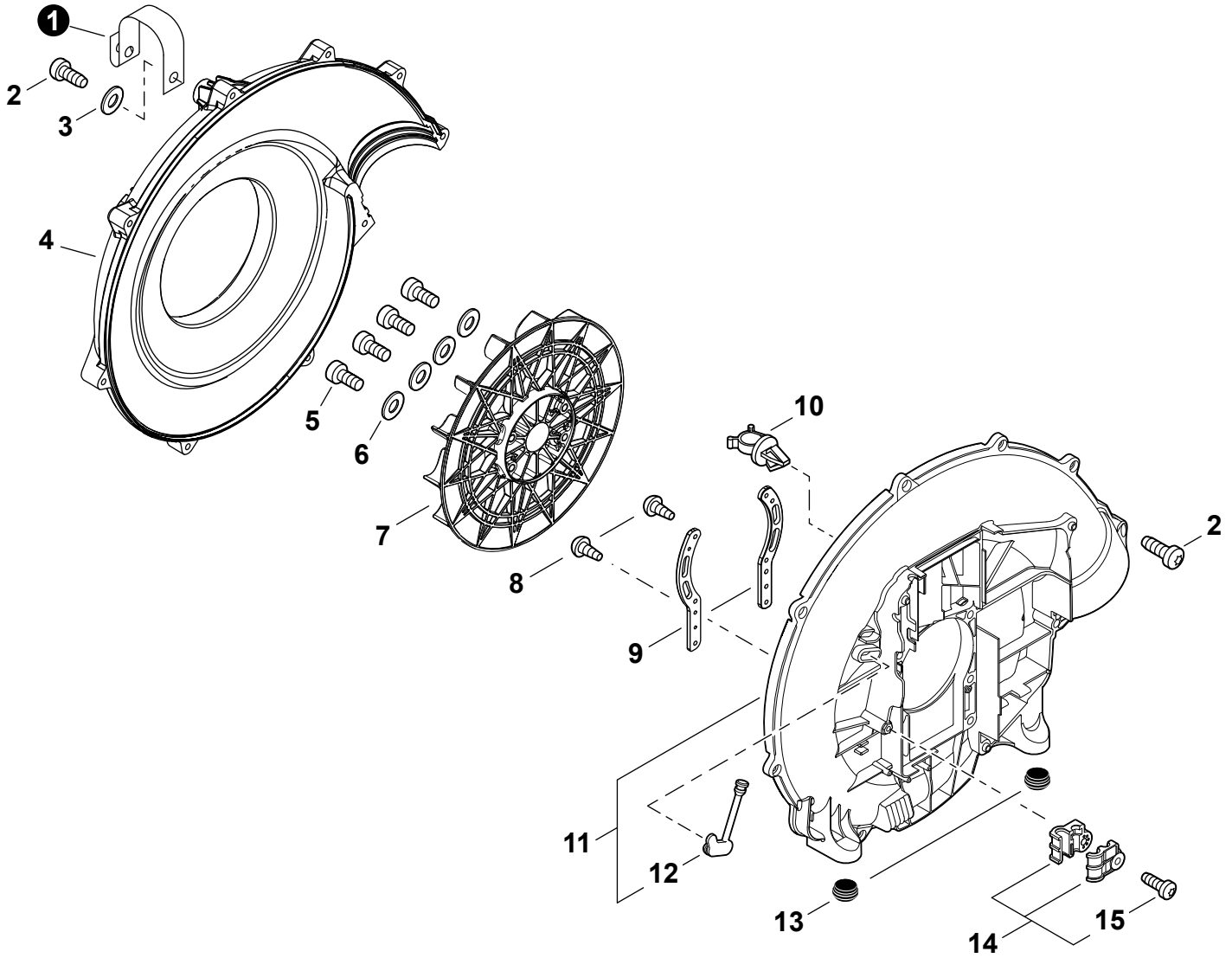
| NO. | PART NUMBER | QTY. | DESCRIPTION | DESCRIPCIÓN |
|-----|-------------|------|----------------------|--------------------------------------|
| 1 | A052000490 | 1 | PULLEY ASSY, STARTER | MONTAJE DE POLEA DEL ARRANCADOR |
| 2 | P022002100 | 2 | +E-RING 4 | +RETENEDOR TIPO "E" 4 |
| 3 | 17723440630 | 2 | +SPRING, RETURN | +RESORTE DE RETORNO |
| 4 | P022036620 | 2 | +PAWL, STARTER | +TRINQUETE |
| 5 | A051002980 | 1 | STARTER ASSY, RECOIL | MONTAJE DE ARRANCADOR AUTORRETRÁCTIL |
| 6 | V376001400 | 1 | +RETAINER, ROPE | +RETENEDOR DE CUERDA |
| 7 | V450001170 | 1 | +SPRING, COMPRESSION | +RESORTE DE COMPRESIÓN |
| 8 | P022036780 | 1 | +GRIP, STARTER | +AGARRE DEL ARRANCADOR |
| 9 | 17722742030 | 1 | +GUIDE, ROPE | +GUÍA DE CUERDA |
| 10 | P022038570 | 1 | +ROPE | +CUERDA |
| 11 | 17723644330 | 1 | +SCREW | +TORNILLO |
| 12 | P022036630 | 1 | +REEL, ROPE | +CARRETE DEL CABLE |
| 13 | P022036640 | 1 | +SPRING, SPIRAL | +RESORTE ESPIRAL |
| 14 | V805000160 | 4 | BOLT, TORX 5×20 | PERNO TORX 5×20 |



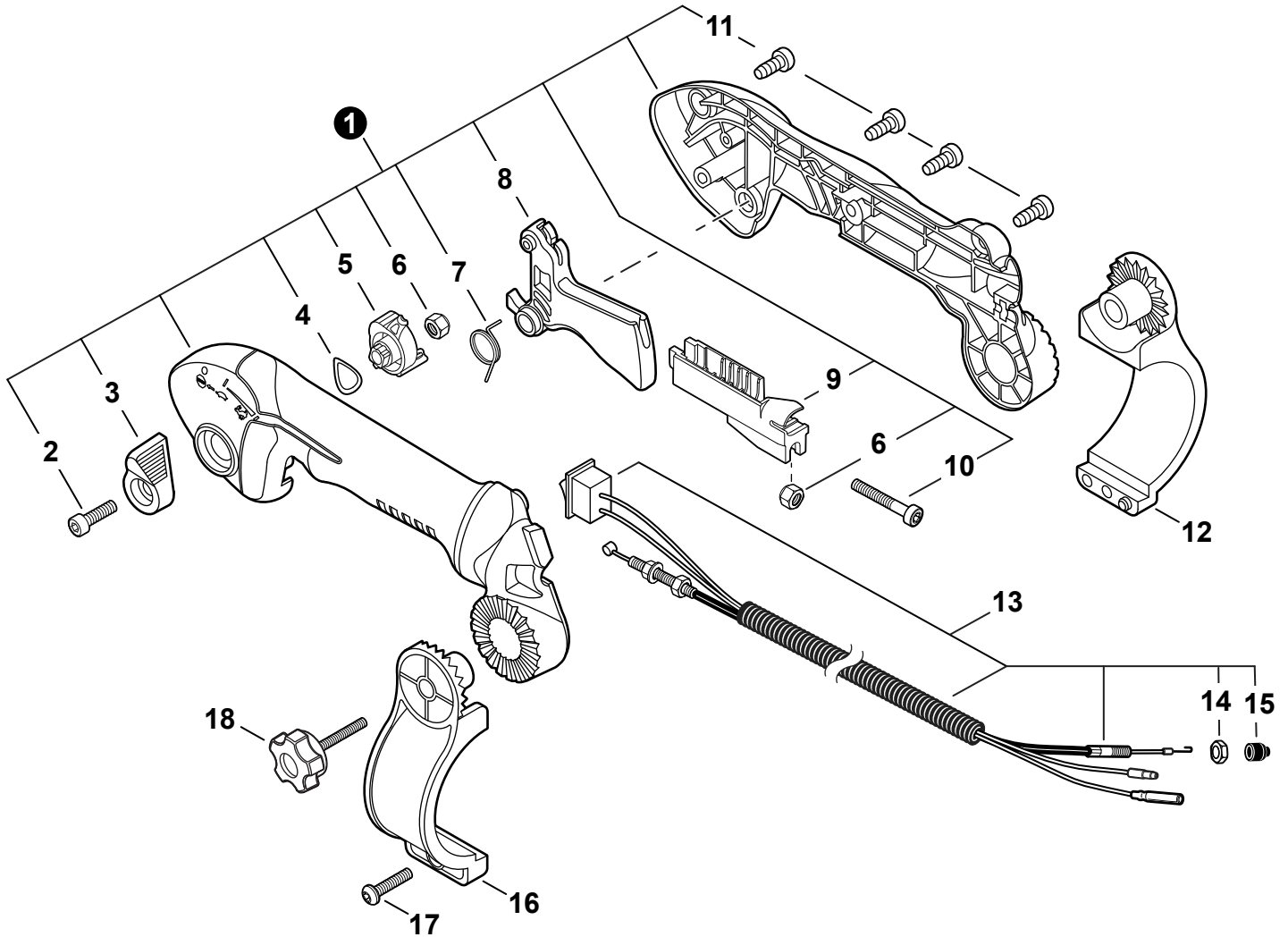
| NO. | PART NUMBER | QTY. | DESCRIPTION | DESCRIPCIÓN |
|-----|-------------|------|---------------------------|--|
| 1 | 90158 | 1 | FUEL SYSTEM KIT - REPOWER | KIT DEL SISTEMA DE COMBUSTIBLE - REPOWER |
| 2 | V471004770 | 1 | +PIPE, FUEL 3×5×205 BLACK | +TUBO DE COMBUSTIBLE 3×5×205 NEGRO |
| 3 | A356000031 | 1 | +VENT ASSY | +VÁLVULA DE RESPIRADERO |
| 4 | 13132840630 | 1 | +HOLDER, VENT | +SOPORTE DE RESPIRADERO |
| 5 | V490001230 | 1 | +CLIP Ø6.5MM | +SUJETADOR Ø6.5MM |
| 6 | V471004780 | 1 | +PIPE, FUEL 3×6×40 BLACK | +TUBO DE COMBUSTIBLE 3×6×40 NEGRO |
| 7 | V471004760 | 1 | +PIPE 3×6×180 CLEAR | +TUBO 3×6×180 TRANSPARENTE |
| 8 | 13211555930 | 1 | +GROMMET, FUEL | +OJAL DE COMBUSTIBLE |
| 9 | V186000520 | 1 | +CONNECTOR, PIPE Ø5×Ø3.5 | +CONECTOR DE TUBO Ø5×Ø3.5 |
| 10 | V490001240 | 2 | +CLIP Ø6 | +SUJETADOR Ø6 |
| 11 | V471000600 | 1 | +PIPE, FUEL 3×5×120 BLACK | +TUBO DE COMBUSTIBLE 3×5×120 NEGRO |
| 12 | A369000440 | 1 | +FILTER, FUEL | +FILTRO DE COMBUSTIBLE |
| 13 | V107000150 | 1 | +GASKET, FUEL CAP | +EMPAQUETADURA DEL TAPA DE COMBUSTIBLE |
| 14 | P021040030 | 1 | CAP ASSY, FUEL | MONTAJE DE TAPA DE COMBUSTIBLE |
| 15 | V107000150 | 1 | +GASKET, FUEL CAP | +EMPAQUETADURA DEL TAPA DE COMBUSTIBLE |
| 16 | 13105156030 | 1 | +CONNECTOR, CAP L= 100mm | +CONECTOR DE TAPA L= 100mm |
| 17 | V420004620 | 1 | CUSHION | AMORTIGUADOR |
| 18 | A392000390 | 1 | RETAINER, FUEL TANK | SUJETADOR DE TANQUE DE COMBUSTIBLE |
| 19 | A350000870 | 1 | TANK, FUEL | TANQUE DE COMBUSTIBLE |
| 20 | 90015 | 1 | PIPE, BULK - 3×6mm BLACK | TUBO AL POR MAYOR 3×6mm NEGRO |
| 21 | 90017 | 1 | PIPE, BULK - 3×6mm CLEAR | TUBO AL POR MAYOR 3×6mm TRANSPARENTE |
| 22 | 90014 | 1 | PIPE, BULK - 3×5mm BLACK | TUBO AL POR MAYOR 3×5mm NEGRO |
| 23 | 90156 | 1 | TUNE-UP KIT - REPOWER | JUEGO DE PUESTA A PUNTO - REPOWER |



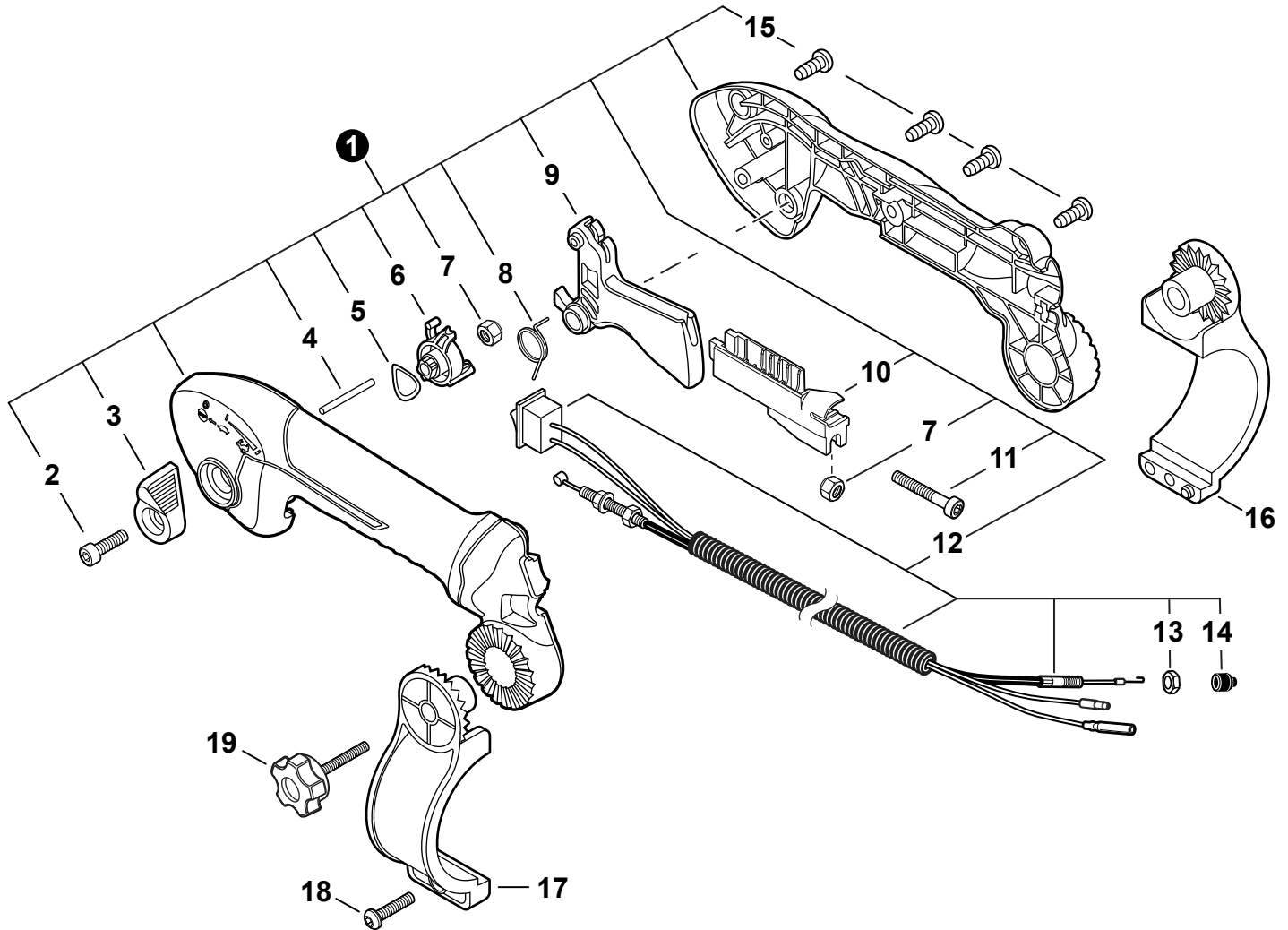
| NO. | PART NUMBER | QTY. | DESCRIPTION | DESCRIPCIÓN |
|-----|-------------|------|----------------------|----------------------------|
| 1 | P021048260 | 1 | HARNESS ASSY, RIGHT | MONTAJE DE ARNÉS DERECHA |
| 2 | V491000480 | 2 | +CLIP | +SUJETADOR |
| 3 | P021048250 | 1 | HARNESS ASSY, LEFT | MONTAJE DE ARNÉS IZQUIERDA |
| 4 | V491000480 | 2 | +CLIP | +SUJETADOR |
| 5 | V491000090 | 3 | CLIP | SUJETADOR |
| 6 | C630000190 | 1 | CUSHION, BACKPACK | AMORTIGUADOR DE MOCHILA |
| 7 | C635000000 | 1 | INSERT, COLD WEATHER | SEPARADOR PARA CLIMA FRIO |
| 8 | V805000010 | 5 | BOLT, TORX 5×20 | PERNO TORX 5×20 |
| 9 | 61301907350 | 5 | WASHER 5.5×16×2T | ARANDELA 5.5×16×2T |
| 10 | C620000480 | 1 | FRAME, BACKPACK | ARMAZÓN DE MOCHILA |
| 11 | V450000780 | 4 | SPRING, COMPRESSION | RESORTE DE COMPRESIÓN |
| 12 | V456000320 | 4 | HOLDER, SPRING | RETENEDOR DE RESORTE |
| 13 | V805000160 | 4 | BOLT, TORX 5×20 | PERNO TORX 5×20 |
| 14 | E104000250 | 1 | GUARD, DEBRIS | PROTECTOR CONTRA RESIDUOS |



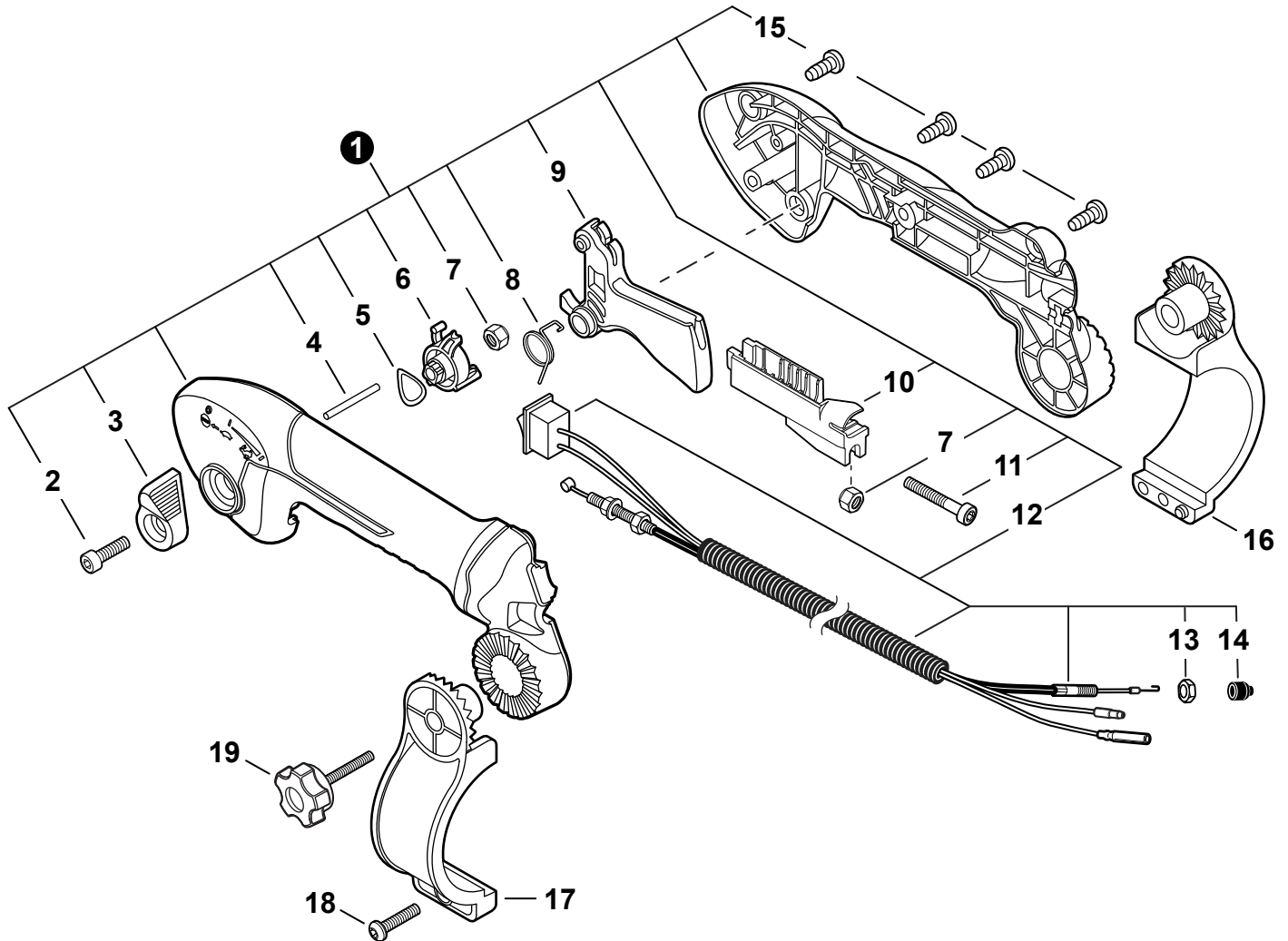
| NO. | PART NUMBER | QTY. | DESCRIPTION | DESCRIPCIÓN |
|-----|-------------------|----------|-------------------------|------------------------------------|
| 1 | C617000730 | 1 | STRAP, SAFETY 1.2×100 | CINTA DE SEGURIDAD 1.2×100 |
| 2 | V805000010 | 9 | BOLT, TORX 5×20 | PERNO TORX 5×20 |
| 3 | 61301907350 | 1 | WASHER 5.5×16×2T | ARANDELA 5.5×16×2T |
| 4 | E103001300 | 1 | COVER, FAN | CUBIERTA DEL VENTILADOR |
| 5 | V805000180 | 4 | BOLT, TORX 5×30 | PERNO TORX 5×30 |
| 6 | 61301907350 | 4 | WASHER 5.5×16×2T | ARANDELA 5.5×16×2T |
| 7 | E100000270 | 1 | FAN, BLOWER | VENTILADOR DE LA SOPLADOR |
| 8 | 90024603012 | 2 | SCREW TAPPING 3×12 | TORNILLO ROSCADO 3×12 |
| 9 | C632000250 | 2 | BRACKET, ENGINE | ABRAZADERA DEL MOTOR |
| 10 | V491000110 | 1 | CLIP, CABLE | SUJETADOR DE CABLE |
| 11 | P021048180 | 1 | FAN CASE SET | JUEGO DE CAJA DE VENTILADOR |
| 12 | V144000670 | 1 | +GROMMET | +OJAL |
| 13 | V420000910 | 2 | CUSHION | AMORTIGUADOR |
| 14 | P021048170 | 1 | CABLE HOLDER SET | JUEGO DE SUJETADOR DE CABLE |
| 15 | V805000230 | 1 | +BOLT, TORX 5×25 | +PERNO TORX 5×25 |



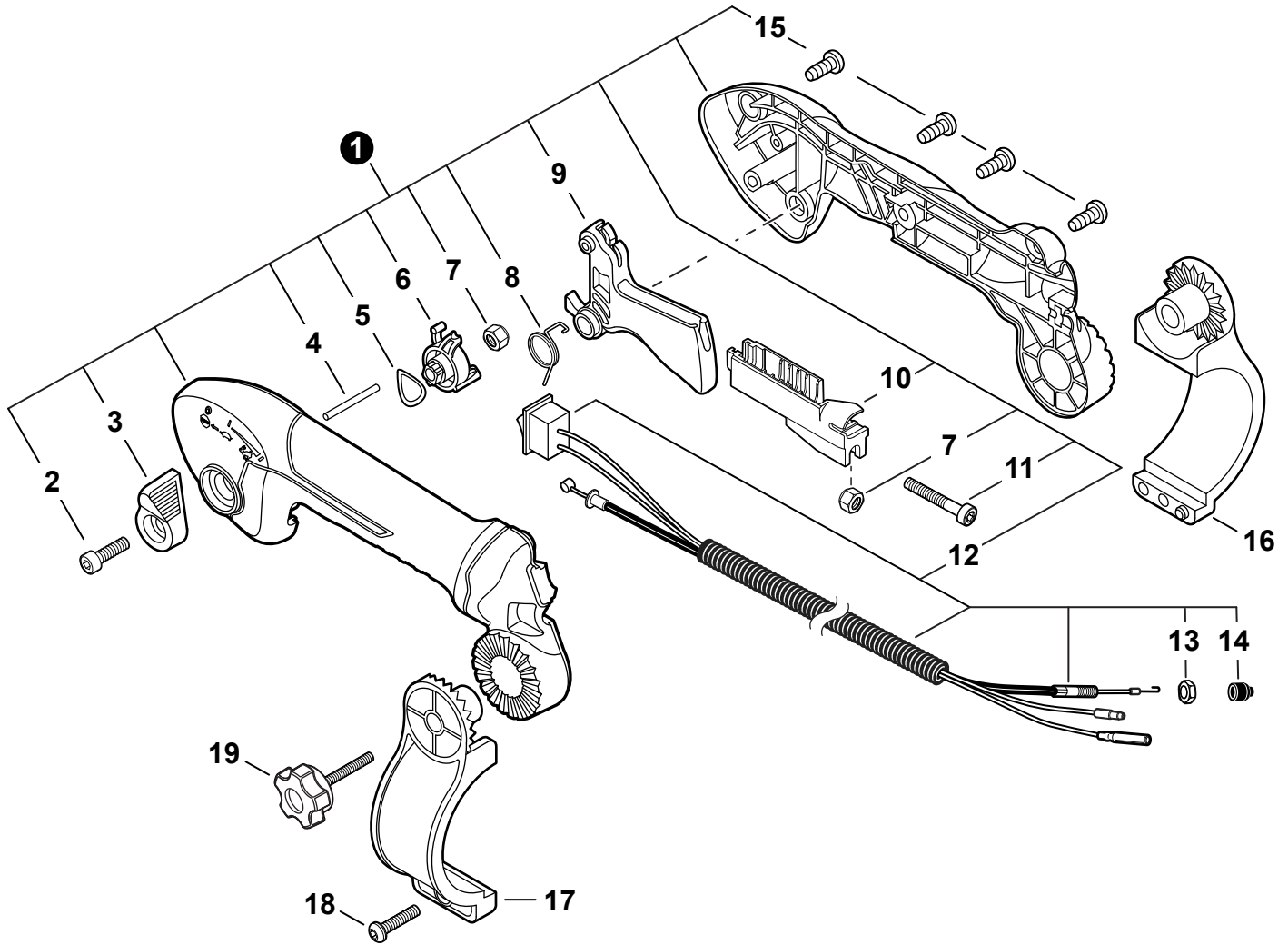
| NO. | PART NUMBER | QTY. | DESCRIPTION | DESCRIPCIÓN |
|-----|-------------|------|-----------------------------------|--|
| 1 | P021048200 | 1 | THROTTLE CONTROL KIT - TUBE MOUNT | JUEGO DE CONTROL DEL ACELERADOR SUJETO AL TUBO |
| 2 | V805000160 | 1 | +BOLT, TORX 5×20 | +PERNO TORX 5×20 |
| 3 | C453000560 | 1 | +LEVER, THROTTLE | +GATILLO ACELERADOR |
| 4 | 42975201850 | 1 | +WASHER, WAVE 12 | +ARANDELA DE PRESION 12 |
| 5 | C453000550 | 1 | +CONTROL, THROTTLE | +CONTROL DEL ACELERADOR |
| 6 | 90056250005 | 2 | +NUT, LOCK M5 | +CONTRATUERCA M5 |
| 7 | V452001610 | 1 | +SPRING, TORSION | +RESORTE DE TORSIÓN |
| 8 | C450000920 | 1 | +TRIGGER, THROTTLE | +GATILLO DEL ACELERADOR |
| 9 | C482000100 | 1 | +CONNECTOR, CABLE | +CONECTOR DE CABLE |
| 10 | V805000050 | 1 | +BOLT, TORX 5×30 | +PERNO TORX 5×30 |
| 11 | V805000000 | 4 | +BOLT, TORX 5×16 | +PERNO TORX 5×16 |
| 12 | C405000241 | 1 | BRACKET, HANDLE - RIGHT | ABRAZADERA DE MANGO - DERECHO |
| 13 | V043001060 | 1 | CABLE ASSY, CONTROL | MONTAJE DE CABLE PARA CONTROL |
| 14 | 90050000006 | 1 | +NUT, HEX M6 | +TUERCA HEXAGONAL 6M |
| 15 | 17808208260 | 1 | +CAP, DUST | +TAPA ANTIPOLVO |
| 16 | C405000231 | 1 | BRACKET, HANDLE - LEFT | ABRAZADERA DE MANGO - IZQUIERDA |
| 17 | V805000010 | 1 | BOLT, TORX 5×20 | PERNO TORX 5×20 |
| 18 | 30581208260 | 1 | KNOB, SCREW | PERILLA TIPO TORNILLO |



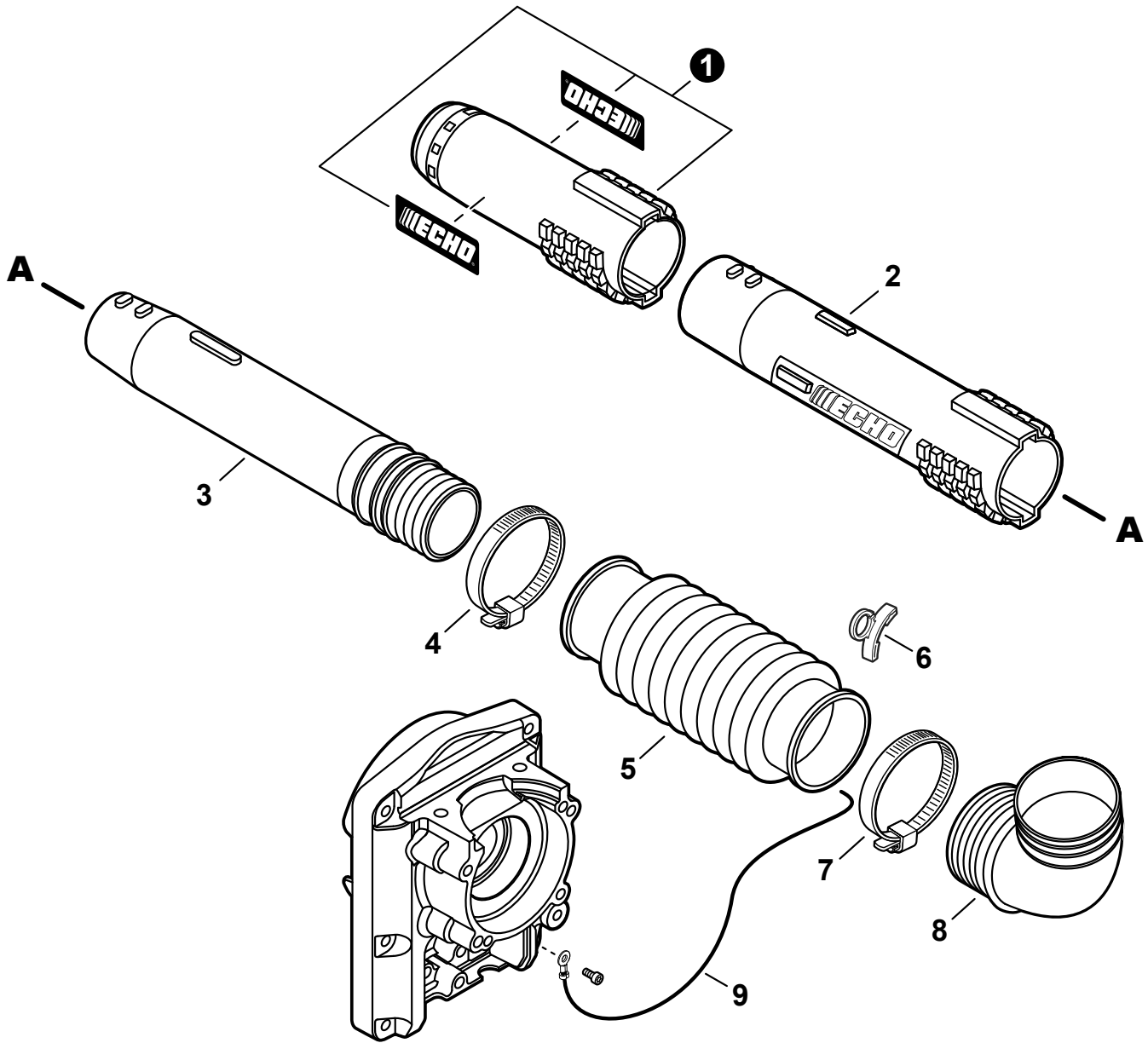
| NO. | PART NUMBER | QTY. | DESCRIPTION | DESCRIPCIÓN |
|-----|-------------|------|-----------------------------------|--|
| 1 | P021049300 | 1 | THROTTLE CONTROL KIT - TUBE MOUNT | JUEGO DE CONTROL DEL ACELERADOR SUJETO AL TUBO |
| 2 | V805000160 | 1 | +BOLT, TORX 5×20 | +PERNO TORX 5×20 |
| 3 | C453000560 | 1 | +LEVER, THROTTLE | +GATILLO ACELERADOR |
| 4 | V621000040 | 1 | +PIN 3×32 | +PASADOR 3×32 |
| 5 | 42975201850 | 1 | +WASHER, WAVE 12 | +ARANDELA DE PRESION 12 |
| 6 | C453000580 | 1 | +CONTROL, THROTTLE | +CONTROL DEL ACELERADOR |
| 7 | 90056250005 | 2 | +NUT, LOCK M5 | +CONTRATUERCA M5 |
| 8 | V452001610 | 1 | +SPRING, TORSION | +RESORTE DE TORSIÓN |
| 9 | C450000920 | 1 | +TRIGGER, THROTTLE | +GATILLO DEL ACELERADOR |
| 10 | C482000100 | 1 | +CONNECTOR, CABLE | +CONECTOR DE CABLE |
| 11 | V805000050 | 1 | +BOLT, TORX 5×30 | +PERNO TORX 5×30 |
| 12 | V043001060 | 1 | +CABLE ASSY, CONTROL | +MONTAJE DE CABLE PARA CONTROL |
| 13 | 90050000006 | 1 | ++NUT, HEX M6 | ++TUERCA HEXAGONAL 6M |
| 14 | 17808208260 | 1 | ++CAP, DUST | ++TAPA ANTIPOLVO |
| 15 | V805000000 | 4 | +BOLT, TORX 5×16 | +PERNO TORX 5×16 |
| 16 | C405000241 | 1 | BRACKET, HANDLE - RIGHT | ABRAZADERA DE MANGO - DERECHO |
| 17 | C405000231 | 1 | BRACKET, HANDLE - LEFT | ABRAZADERA DE MANGO - IZQUIERDA |
| 18 | V805000010 | 1 | BOLT, TORX 5×20 | PERNO TORX 5×20 |
| 19 | 30581208260 | 1 | KNOB, SCREW | PERILLA TIPO TORNILLO |



| NO. | PART NUMBER | QTY. | DESCRIPTION | DESCRIPCIÓN |
|-----|-------------|------|-----------------------------------|--|
| 1 | P021050610 | 1 | THROTTLE CONTROL KIT - TUBE MOUNT | JUEGO DE CONTROL DEL ACELERADOR SUJETO AL TUBO |
| 2 | V805000160 | 1 | +BOLT, TORX 5×20 | +PERNO TORX 5×20 |
| 3 | C453000560 | 1 | +LEVER, THROTTLE | +GATILLO ACELERADOR |
| 4 | V621000040 | 1 | +PIN 3×32 | +PASADOR 3×32 |
| 5 | 42975201850 | 1 | +WASHER, WAVE 12 | +ARANDELA DE PRESION 12 |
| 6 | C453000580 | 1 | +CONTROL, THROTTLE | +CONTROL DEL ACELERADOR |
| 7 | 90056250005 | 2 | +NUT, LOCK M5 | +CONTRATUERCA M5 |
| 8 | V452001630 | 1 | +SPRING, TORSION | +RESORTE DE TORSIÓN |
| 9 | C450000921 | 1 | +TRIGGER, THROTTLE | +GATILLO DEL ACELERADOR |
| 10 | C482000100 | 1 | +CONNECTOR, CABLE | +CONECTOR DE CABLE |
| 11 | V805000050 | 1 | +BOLT, TORX 5×30 | +PERNO TORX 5×30 |
| 12 | V043001060 | 1 | +CABLE ASSY, CONTROL | +MONTAJE DE CABLE PARA CONTROL |
| 13 | 90050000006 | 1 | ++NUT, HEX M6 | ++TUERCA HEXAGONAL 6M |
| 14 | 17808208260 | 1 | ++CAP, DUST | ++TAPA ANTIPOLVO |
| 15 | V805000000 | 4 | +BOLT, TORX 5×16 | +PERNO TORX 5×16 |
| 16 | C405000241 | 1 | BRACKET, HANDLE - RIGHT | ABRAZADERA DE MANGO - DERECHO |
| 17 | C405000231 | 1 | BRACKET, HANDLE - LEFT | ABRAZADERA DE MANGO - IZQUIERDA |
| 18 | V805000010 | 1 | BOLT, TORX 5×20 | PERNO TORX 5×20 |
| 19 | 30581208260 | 1 | KNOB, SCREW | PERILLA TIPO TORNILLO |



| NO. | PART NUMBER | QTY. | DESCRIPTION | DESCRIPCIÓN |
|-----|-------------|------|-----------------------------------|--|
| 1 | P021051890 | 1 | THROTTLE CONTROL KIT - TUBE MOUNT | JUEGO DE CONTROL DEL ACELERADOR SUJETO AL TUBO |
| 2 | V805000160 | 1 | +BOLT, TORX 5×20 | +PERNO TORX 5×20 |
| 3 | C453000560 | 1 | +LEVER, THROTTLE | +GATILLO ACELERADOR |
| 4 | V621000040 | 1 | +PIN 3×32 | +PASADOR 3×32 |
| 5 | 42975201850 | 1 | +WASHER, WAVE 12 | +ARANDELA DE PRESION 12 |
| 6 | C453000580 | 1 | +CONTROL, THROTTLE | +CONTROL DEL ACELERADOR |
| 7 | 90056250005 | 2 | +NUT, LOCK M5 | +CONTRATUERCA M5 |
| 8 | V452001630 | 1 | +SPRING, TORSION | +RESORTE DE TORSIÓN |
| 9 | C450000921 | 1 | +TRIGGER, THROTTLE | +GATILLO DEL ACELERADOR |
| 10 | C482000101 | 1 | +CONNECTOR, CABLE | +CONECTOR DE CABLE |
| 11 | V805000050 | 1 | +BOLT, TORX 5×30 | +PERNO TORX 5×30 |
| 12 | V043001120 | 1 | +CABLE ASSY, CONTROL | +MONTAJE DE CABLE PARA CONTROL |
| 13 | 90050000006 | 1 | ++NUT, HEX M6 | ++TUERCA HEXAGONAL 6M |
| 14 | 17808208260 | 1 | ++CAP, DUST | ++TAPA ANTIPOLVO |
| 15 | V805000000 | 4 | +BOLT, TORX 5×16 | +PERNO TORX 5×16 |
| 16 | C405000241 | 1 | BRACKET, HANDLE - RIGHT | ABRAZADERA DE MANGO - DERECHO |
| 17 | C405000231 | 1 | BRACKET, HANDLE - LEFT | ABRAZADERA DE MANGO - IZQUIERDA |
| 18 | V805000010 | 1 | BOLT, TORX 5×20 | PERNO TORX 5×20 |
| 19 | V299000630 | 1 | KNOB, SCREW | PERILLA TIPO TORNILLO |



| NO. | PART NUMBER | QTY. | DESCRIPTION | DESCRIPCIÓN |
|-----|-------------|------|---------------------------|---|
| 1 | P021049080 | 1 | TUBE SET, BLOWER - NOZZLE | JUEGO DE TUBO DE LA SOPLADOR - BOQUILLA |
| 2 | E165000141 | 1 | TUBE, BLOWER - STRAIGHT | TUBO DE LA SOPLADOR - RECTO |
| 3 | E165000130 | 1 | TUBE, BLOWER - SWIVEL | TUBO DE LA SOPLADOR - GIRATORIO |
| 4 | V495000430 | 1 | CLAMP 58.7MM / 82.5MM | ABRAZADERA 58.7MM / 82.5MM |
| 5 | E164000080 | 1 | TUBE, BLOWER - FLEXIBLE | TUBO DE LA SOPLADOR - FLEXIBLE |
| 6 | V491000191 | 1 | CLIP, CABLE | SUJETADOR DE CABLE |
| 7 | V495000440 | 1 | CLAMP 77.8MM /101.6MM | ABRAZADERA 77.8MM /101.6MM |
| 8 | E160000131 | 1 | TUBE, BLOWER - ELBOW | TUBO DE LA SOPLADOR - CODO |
| 9 | V485002181 | 1 | WIRE, STATIC DISCHARGE | PROTECCION DE ELECTRICIDAD ESTÁTICA |



| NO. | PART NUMBER | QTY. | DESCRIPTION | DESCRIPCIÓN |
|-----|-------------|------|----------------------------|---|
| 1 | X532000671 | 1 | LABEL, SPARK PLUG - BPM8Y | ETIQUETA DE BUJÍA BPM8Y |
| 2 | X532000720 | 1 | LABEL, SPARK PLUG - BPMR8Y | ETIQUETA DE BUJÍA BPMR8Y |
| 3 | X503013240 | 1 | LABEL, MODEL - PB-580T | ETIQUETA MODELO - PB-580T |
| 4 | X505002310 | 1 | LABEL, CAUTION - HOT | ETIQUETA DE PRECAUCIÓN CALIENTE |
| 5 | 89011804262 | 2 | LABEL, ECHO BLOWER TUBE | ETIQUETA DE ECHO PARA TUBO DE LA SOPLADOR |
| 6 | X505002080 | 1 | LABEL, CAUTION - ISO | ETIQUETA DE PRECAUCIÓN - ISO |
| 7 | X505007910 | 1 | LABEL, CAUTION - BLOWER | ETIQUETA DE PRECAUCIÓN - SOPLADOR |
| 8 | X502000410 | 1 | LABEL, ECHO | ETIQUETA ECHO |
| 9 | 89012152730 | 1 | LABEL, CHOKE | ETIQUETA DEL ESTRANGULADOR |
| 10 | 89033252730 | 1 | LABEL, CHOKE | ETIQUETA DEL ESTRANGULADOR |

| NO. | PART NUMBER | QTY. | DESCRIPTION | DESCRIPCIÓN |
|-----|-------------|------|---------------------------|--|
| 1 | 90156 | 1 | TUNE-UP KIT - REPOWER | JUEGO DE PUESTA A PUNTO - REPOWER |
| 2 | A226000032 | 1 | +FILTER, AIR | +FILTRO DE AIRE |
| 3 | A369000440 | 1 | +FILTER, FUEL | +FILTRO DE COMBUSTIBLE |
| 4 | A425000000 | 1 | +SPARK PLUG - BPMR8Y | +BUJÍA BPMR8Y |
| 5 | 90158 | 1 | FUEL SYSTEM KIT - REPOWER | KIT DEL SISTEMA DE COMBUSTIBLE - REPOWER |
| 6 | V471004770 | 1 | +PIPE, FUEL 3×5×205 BLACK | +TUBO DE COMBUSTIBLE 3×5×205 NEGRO |
| 7 | A356000031 | 1 | +VENT ASSY | +VÁLVULA DE RESPIRADERO |
| 8 | 13132840630 | 1 | +HOLDER, VENT | +SOPORTE DE RESPIRADERO |
| 9 | V490001230 | 1 | +CLIP Ø6.5MM | +SUJETADOR Ø6.5MM |
| 10 | V471004780 | 1 | +PIPE, FUEL 3×6×40 BLACK | +TUBO DE COMBUSTIBLE 3×6×40 NEGRO |
| 11 | V471004760 | 1 | +PIPE 3×6×180 CLEAR | +TUBO 3×6×180 TRANSPARENTE |
| 12 | 13211555930 | 1 | +GROMMET, FUEL | +OJAL DE COMBUSTIBLE |
| 13 | V186000520 | 1 | +CONNECTOR, PIPE Ø5×Ø3.5 | +CONECTOR DE TUBO Ø5×Ø3.5 |
| 14 | V490001240 | 2 | +CLIP Ø6 | +SUJETADOR Ø6 |
| 15 | V471000600 | 1 | +PIPE, FUEL 3×5×120 BLACK | +TUBO DE COMBUSTIBLE 3×5×120 NEGRO |
| 16 | A369000440 | 1 | +FILTER, FUEL | +FILTRO DE COMBUSTIBLE |
| 17 | V107000150 | 1 | +GASKET, FUEL CAP | +EMPAQUETADURA DEL TAPA DE COMBUSTIBLE |
| 18 | 90015 | 1 | PIPE, BULK - 3×6mm BLACK | TUBO AL POR MAYOR 3×6mm NEGRO |
| 19 | 90017 | 1 | PIPE, BULK - 3×6mm CLEAR | TUBO AL POR MAYOR 3×6mm TRANSPARENTE |
| 20 | 90014 | 1 | PIPE, BULK - 3×5mm BLACK | TUBO AL POR MAYOR 3×5mm NEGRO |