

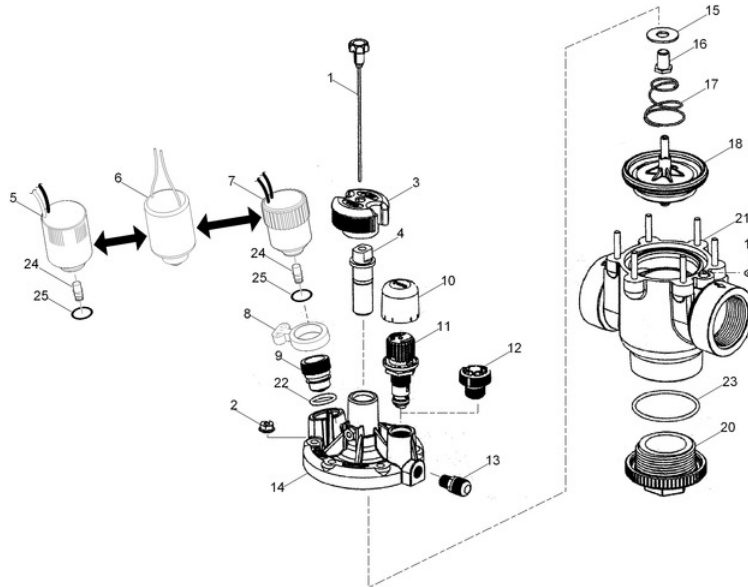


P-220 and P-220G Series, 1 Inch Valve

Model #:

Year:

Serial #:



No.	Description	Qty.
1	102-3756 Metering Rod Assy., P-220	1
2	118-1721 Hex Nut, Flanged	7
3	89-9780 Handle, Flow Control	1
4	102-0966 Stem Assy., Flow Control	1
5	102-2709 Solenoid Assy., 24VDC, Latching	1
6	118-5982 Solenoid Assy. With Plunger, 24 VAC, 60 Hz	1
6	102-7054 Solenoid Assy. with Plunger, 24 VAC, 50 Hz	1
7	102-3443 Solenoid-Low Wattage, w/Surge Protection (Black Wires)	1
8	606902 Handle, Bleed Plug	1
9	102-4787 Bleed Plug	1
10	835203 Cap, Vandal Resistant (Pressure Regulating Models Only)	1
11	EZR-30 Regulator Module, 30 psi (Includes Item 10)	1
11	EZR-100 Regulator Module, 100 psi (Includes Item 10)	1

No.	Description	Qty.
12	89-9521 Blanking Plug Assy. (Non-pressure Regulating Models Only)	1
13	834101 Valve Assy., Schrader	1
14	102-0366 Bonnet Assy.	1
15	856202 Stem Washer	1
16	1033-H Bushing	1
17	H1040 Spring	1
18	102-0368 Diaphragm Assy.	1
19	1054-HO-Ring, Body	1
20	536203 Plug, Body, NPT & BSP	1
21	Valve Body Assy.	1
22	1009701 O-Ring, Bleed Plug	1
23	24130-Ring, Body Plug	1
24	89-9562 Plunger Assy. (Used with Items 5 and 7)	1
25	360-02200-Ring (0.070 x 0.551 x 0.691) (Used with Items 5 and 7)	1
	102-0847 Assy., Kit, Service, 1" & 1.5", P-220 (Includes Items 2-4, 12-14 and 17)	