



**Count on it.**

**Parts Catalog**

**OSMAC® G3 Satellite**

Model No. OSMAC G3 SATELLITE



# Ordering Replacement Parts

To order replacement parts, please supply the part number, the quantity, and the description of each part desired.

## Understanding Reference Numbers

Each identified part in an illustration has a reference number. The reference number for a part also appears in the parts list, along with other information about the part.

This catalog uses two special reference number formats, one to indicate parts in a service assembly and another to indicate the quantity of a given part in an illustration.

## Service Assembly Reference Numbers

Parts in service assemblies have reference numbers in the form a:b. The a represents the reference number of the entire service assembly and the b represents a sequential number unique to each part within the service assembly.

For example, a wheel assembly might be identified by reference number 6, the tire by 6:1, the valve by 6:2, and the wheel by 6:3. When you order the assembly identified by reference number 6, you receive all parts identified by reference numbers 6:1, 6:2, and 6:3. However, you may also order any part individually. Reference numbers of this type appear in illustration and in parts lists.

## Reference Numbers Indicating Quantity

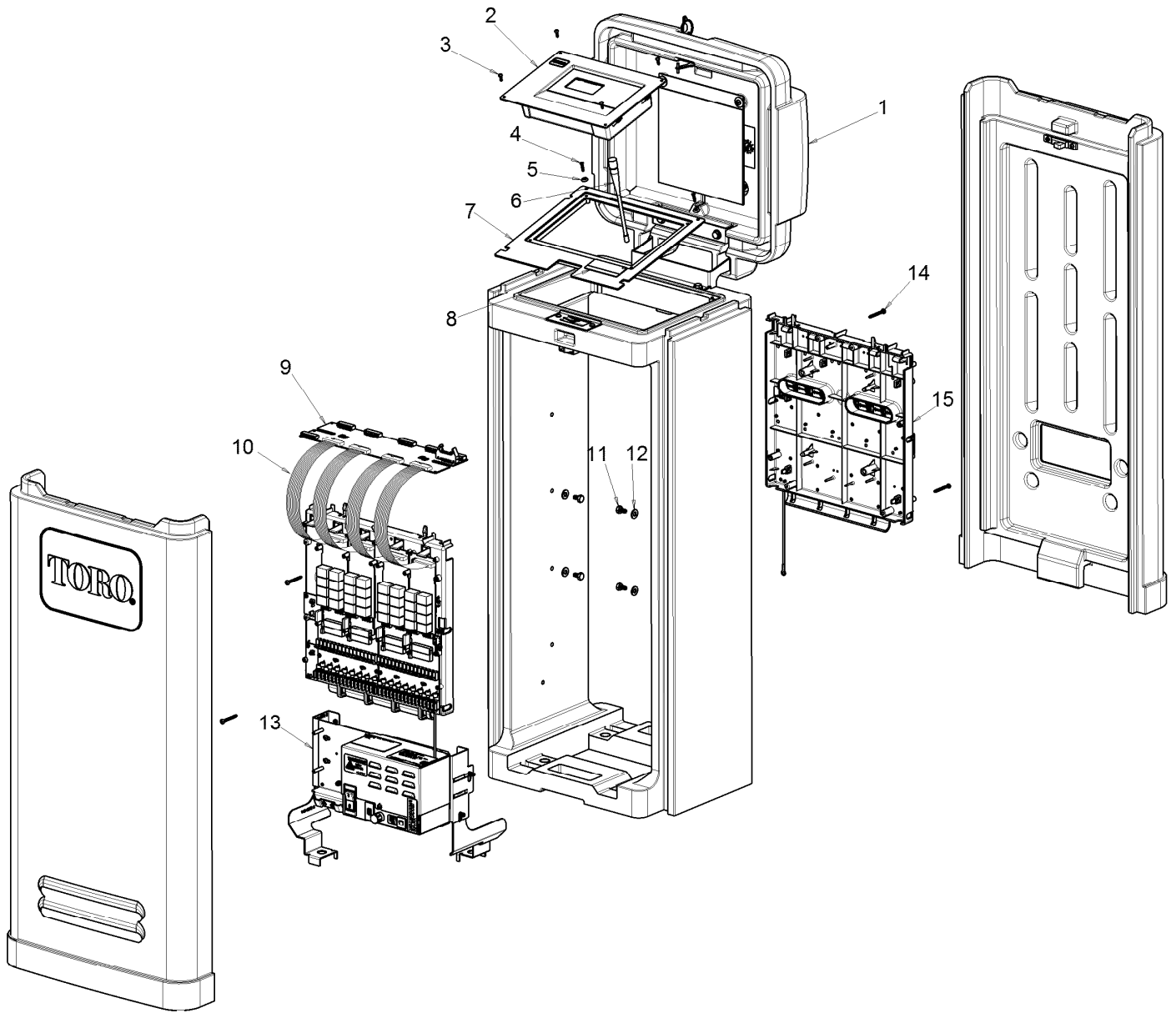
In an illustration, if a reference number indicates more than one part, the reference number has the form nX y. The n represents the quantity of the part, the X is the multiplication symbol, and the y represents the reference number.

For example, in an illustration, the reference number 2X 37 means that two of the parts identified by reference number 37 are indicated.

# Contents

- OSMAC G3 - Satellite 2016-2018 ..... 4
- OSMAC G3 - Front/Backplate Assembly ..... 6
- OSMAC G3 - Satellite, 2019 Model and Newer ..... 8
- OSMAC G3 - Power Supply ..... 10

# OSMAC G3 - Satellite 2016-2018

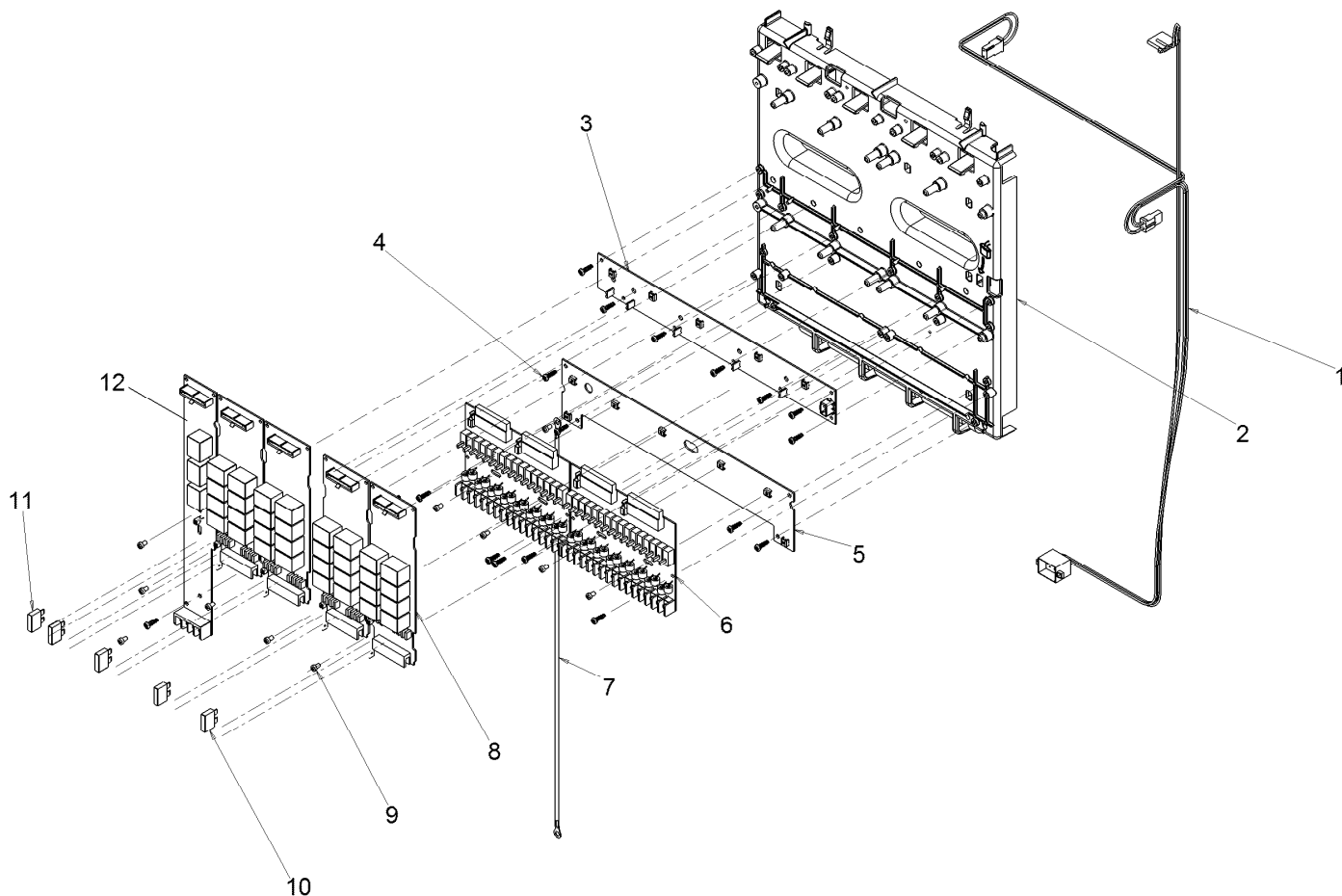


## OSMAC G3 - Satellite 2016-2018 (continued)

<i>Ref.</i>	<i>Part Number</i>	<i>Qty.</i>	<i>Description</i>	<i>Ref.</i>	<i>Part Number</i>	<i>Qty.</i>	<i>Description</i>
1	118-0828	1	Plastic Pedestal, Short, Green, Assembly	8	91-0910	1	Decal, Caution
1	118-0829	1	Plastic Pedestal, Short, Tree Bark, Assembly	9	102-0672	1	Output Distribution Module Assy.
1	118-0830	1	Plastic Pedestal, Short, Desert Sand, Assembly	10	102-0670	4	Ribbon Cable, Distribution To Output, 4
2	118-2986SK	1	Timing Module, Osmac G3	11	363-8634	4	Screw-Cap, HH
	118-6929	1	Tm Cable ■●	12	360-0140	4	Washer-Flat
3	363-6504	4	Tap Screw, Timing Mechanism	13	118-6366SK	1	Power Supply Assembly (See Power Supply Section For Individual Component Listing)
4	363-6520	2	Tap Screw, Countersunk, Tm Faceplate	14	3-2696	4	Screw-Tap, #8
5	363-8394	2	Washer, Faceplate	15	89-9931SK	1	Mounting Front/Backplate, Plastic
6	363-7402	1	Bnc Antenna, 6"				
7	102-0664	1	Tm Mounting Faceplate				

● SERVICE ITEMS

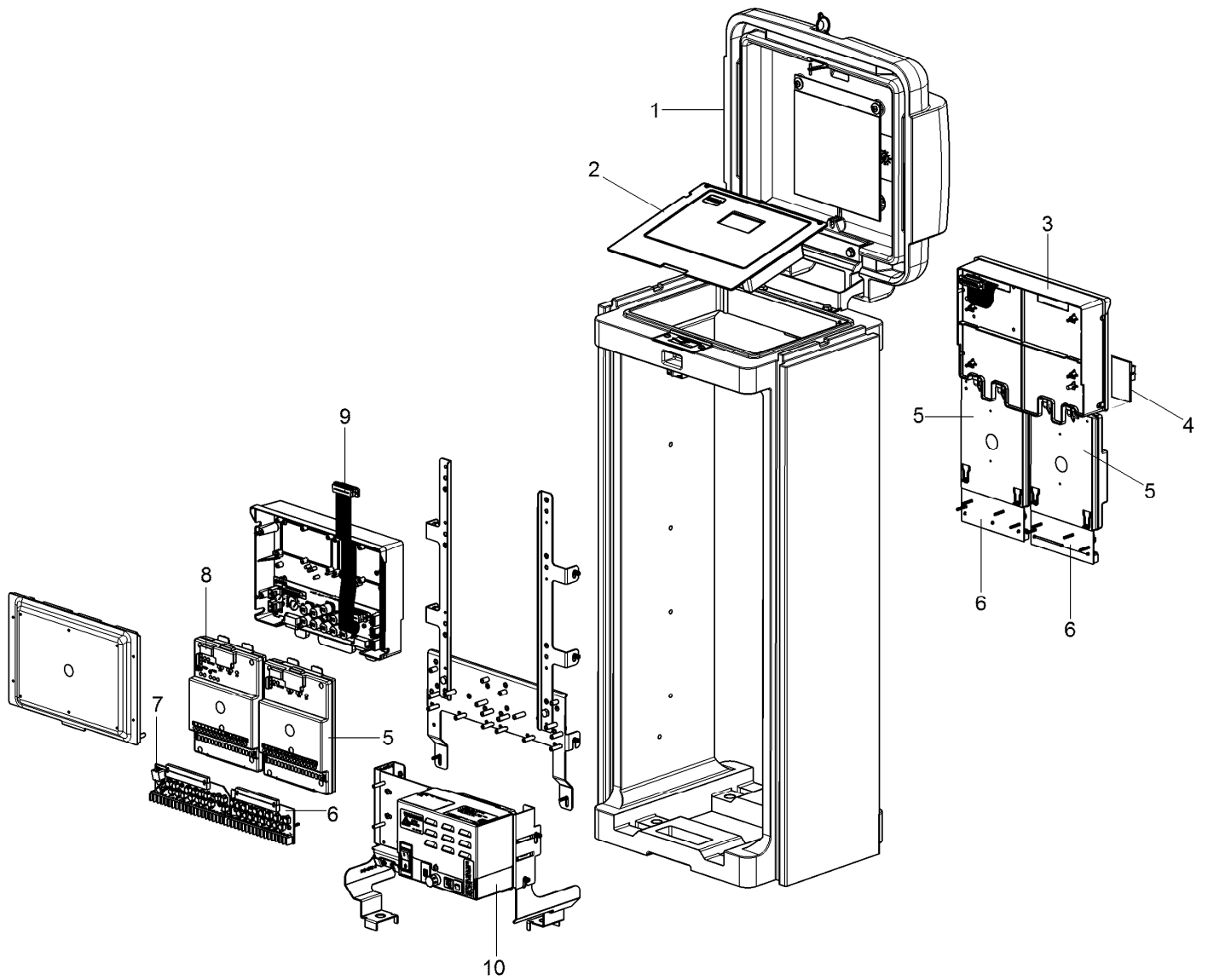
■ Not illustrated



## OSMAC G3 - Front/Backplate Assembly

Ref.	Part Number	Qty.	Description
1	89-9983	1	Cable Assy., Power Supply
2	89-9931SK	1	Mounting Front/Backplate, Plastic
3	102-0653	1	24 Vac Bus Bar
4	363-8289	18	Screw, Tap, #6
5	102-0652	1	Earth Ground Bus Bar
6	102-0641	2	Terminal Block, Switches, Option M3
6	102-0642	2	Terminal Block, Switches, Surge Pills, Option M4
7	89-6930	1	14GA Ground Wire, Yel/Grn
8	102-0654	4	Osmac G3 Output Module
9	363-3947	10	Screw, Thruss
10	102-0657	4	Fuse, 3.0 Amp, Fast-Blow, Service (5-Pack)
11	102-0658	1	Fuse, 1.0 Amp, Fast-Blow, Service (5-Pack)
12	102-0669	1	Pump/Common Module Assy.

# OSMAC G3 - Satellite, 2019 Model and Newer

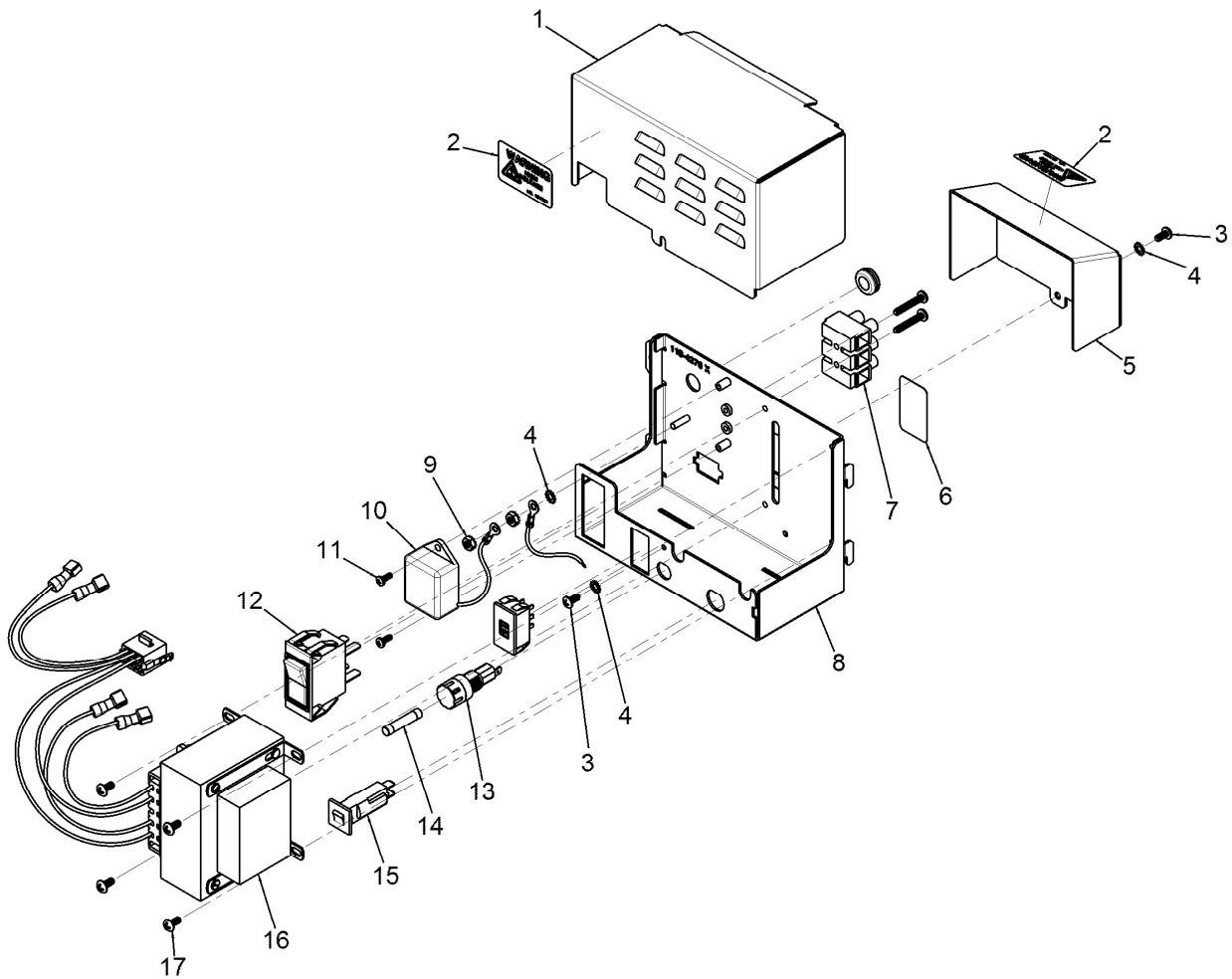


# OSMAC G3 - Satellite, 2019 Model and Newer (continued)

<i>Ref.</i>	<i>Part Number</i>	<i>Qty.</i>	<i>Description</i>	<i>Ref.</i>	<i>Part Number</i>	<i>Qty.</i>	<i>Description</i>
1	118-0828	1	Plastic Pedestal, Short, Green, Assembly	6	118-3047SK	3	Output Surge Assembly, Level 4
1	118-0829	1	Plastic Pedestal, Short, Tree Bark, Assembly	7	118-6035SK	1	Output/Pump Surge Assembly, Level 3
1	118-0830	1	Plastic Pedestal, Short, Desert Sand, Assembly	7	118-6034SK	1	Output/Pump Surge Assembly, Level 4
2	118-2986SK	1	Timing Module, Osmac G3	8	118-6369SK	1	Pump/Com/Output Module
3	118-4438SK	1	Distribution Panel Assembly, Backside	9	118-4172	1	Cable, Tm To Power Board
4	118-3128SK	1	Distribution Board, Backside	10	118-6366SK	1	Power Supply Assembly (See Power Supply Section For Individual Component Listing) ●
5	118-6370SK	3	Output Module Assembly				
6	118-6032SK	3	Output Surge Assembly, Level 3				

● Not illustrated





## OSMAC G3 - Power Supply

Ref.	Part Number	Qty.	Description
1	118-4269	1	Cover, Power Supply Housing
2	89-0722	2	Label, Warning
3	360-0498	2	Screw, Machine, 8-32 X 1/4
4	363-6505	3	Lock Washer, #8, Steel
5	118-4268	1	Cover, Power Supply Terminal
6	89-7325	1	Label, Terminal Block
7	363-3981	1	Terminal Block, 3-Position, 6 Awg
8	118-4270	1	Bottom, Power Supply Housing
9	363-1483	2	Nut-Hex, K Lock
10	118-0538SK	1	Toro Transient Filter, Ttf
11	363-8690	2	Screw, Machine, 6-32 X 3/8, Phph, Stl
12	363-3361	1	Switch, Circuit Breaker, 1.5A
13	360-0750	1	Holder, Fuse
14	363-2497	1	Fuse, 3.2 Amp
15	363-5270	1	Circuit Breaker, 4.0A
16	102-0409	1	Transformer Assembly
17	3-1453	4	Screw, Machine, 10-32 X 3/8, Phph, SS
	102-0645	1	Power Supply Assy. ●

● Not illustrated



**Count on it.**