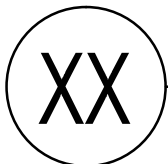


LEGEND:

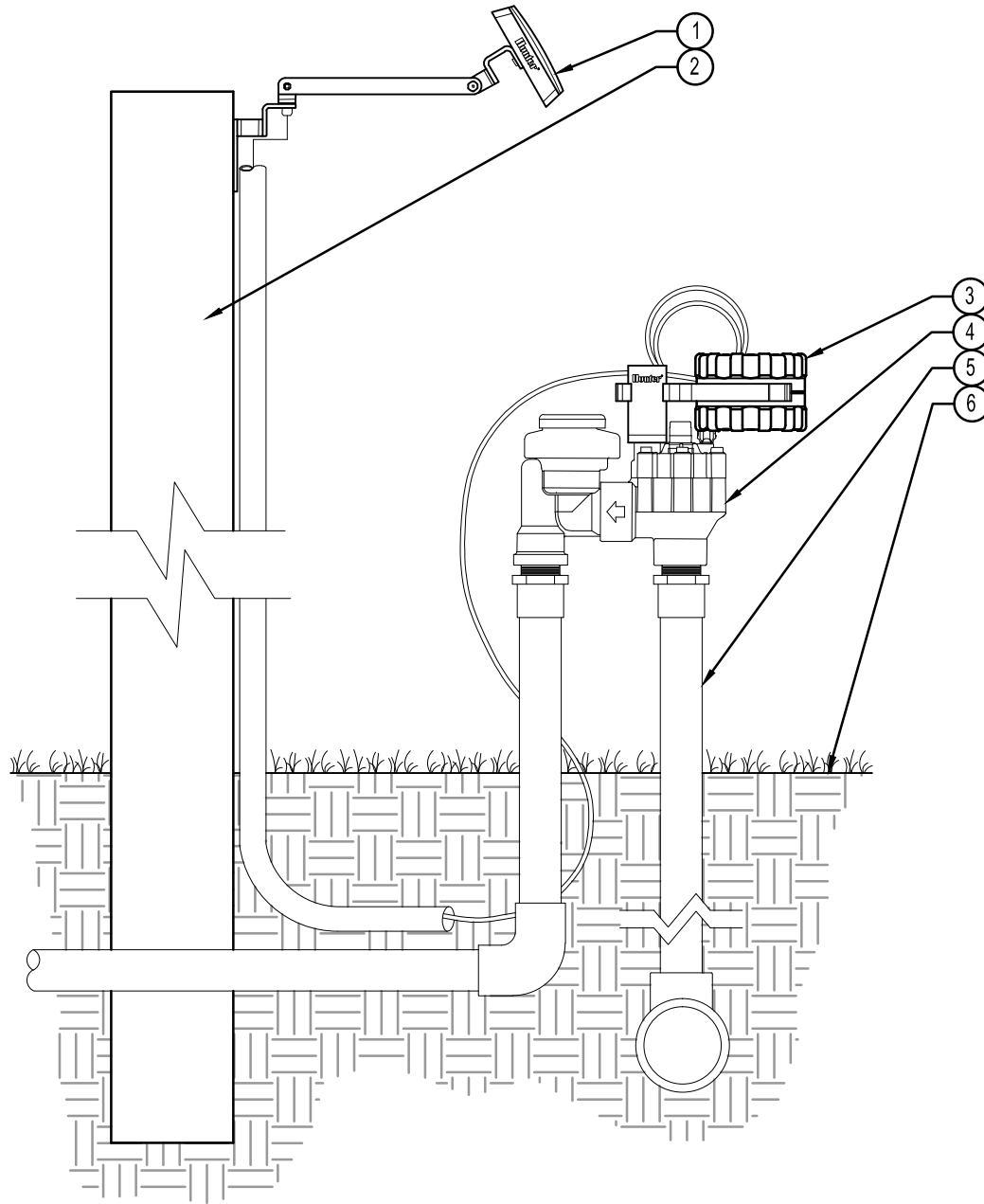
- ① IRRIGATION CONTROLLER (NODE) PER PLAN
- ② VALVE PER PLAN
- ③ PVC MAIN LINE
- ④ FINISHED GRADE



NODE ON ASV VALVE

Hunter C.NODE.04

NOT TO SCALE



LEGEND:

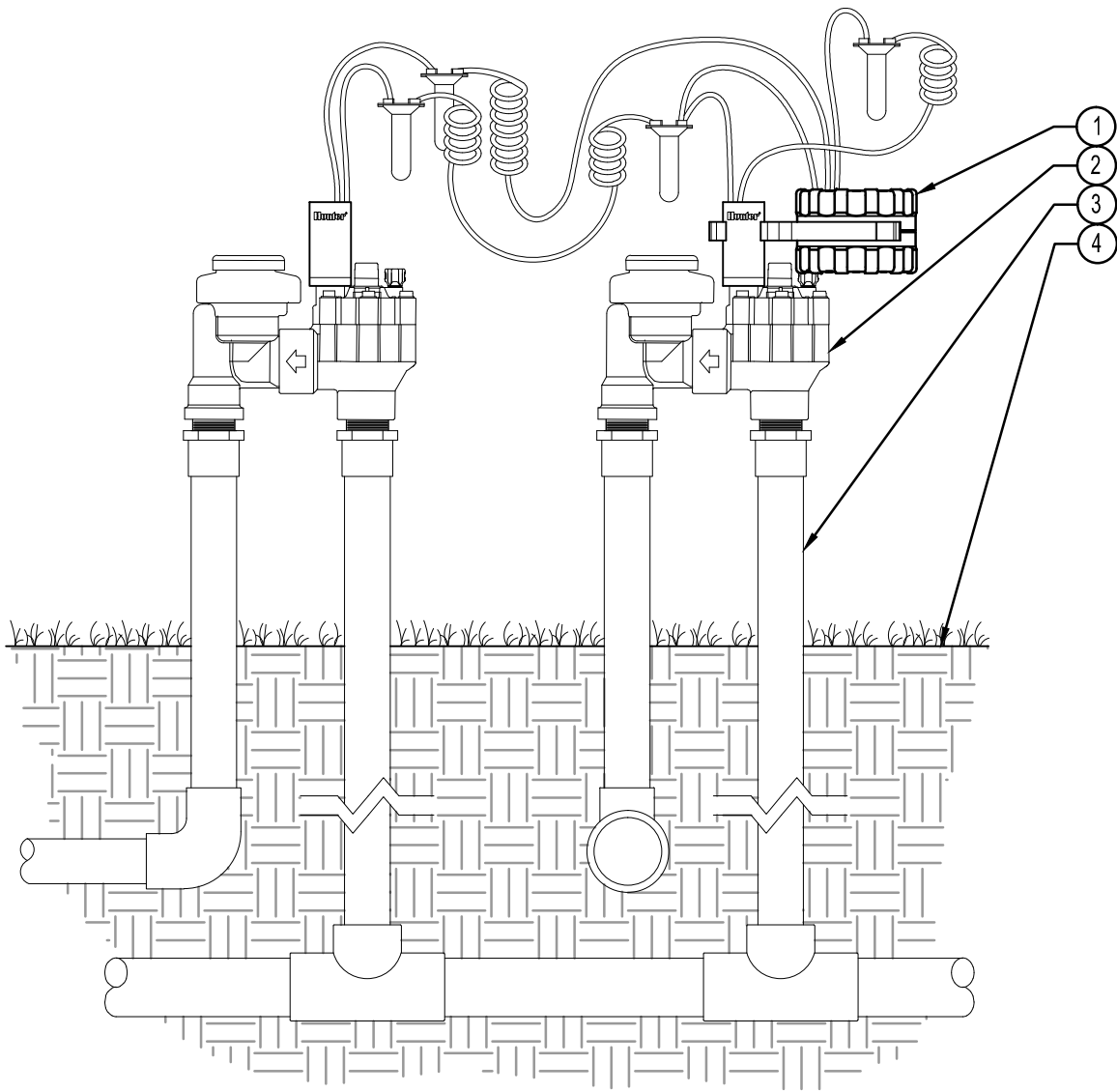
- ① SOLAR PANEL
- ② POST OR SUITABLE MOUNTING SURFACE
- ③ IRRIGATION CONTROLLER (NODE) PER PLAN
- ④ VALVE PER PLAN
- ⑤ PVC MAIN LINE
- ⑥ FINISHED GRADE



NODE ON ASV VALVE WITH SOLAR PANEL

Hunter C.NODE.05

NOT TO SCALE



LEGEND:

- ① IRRIGATION CONTROLLER (NODE) PER PLAN
- ② VALVE PER PLAN
- ③ PVC MAIN LINE
- ④ FINISHED GRADE

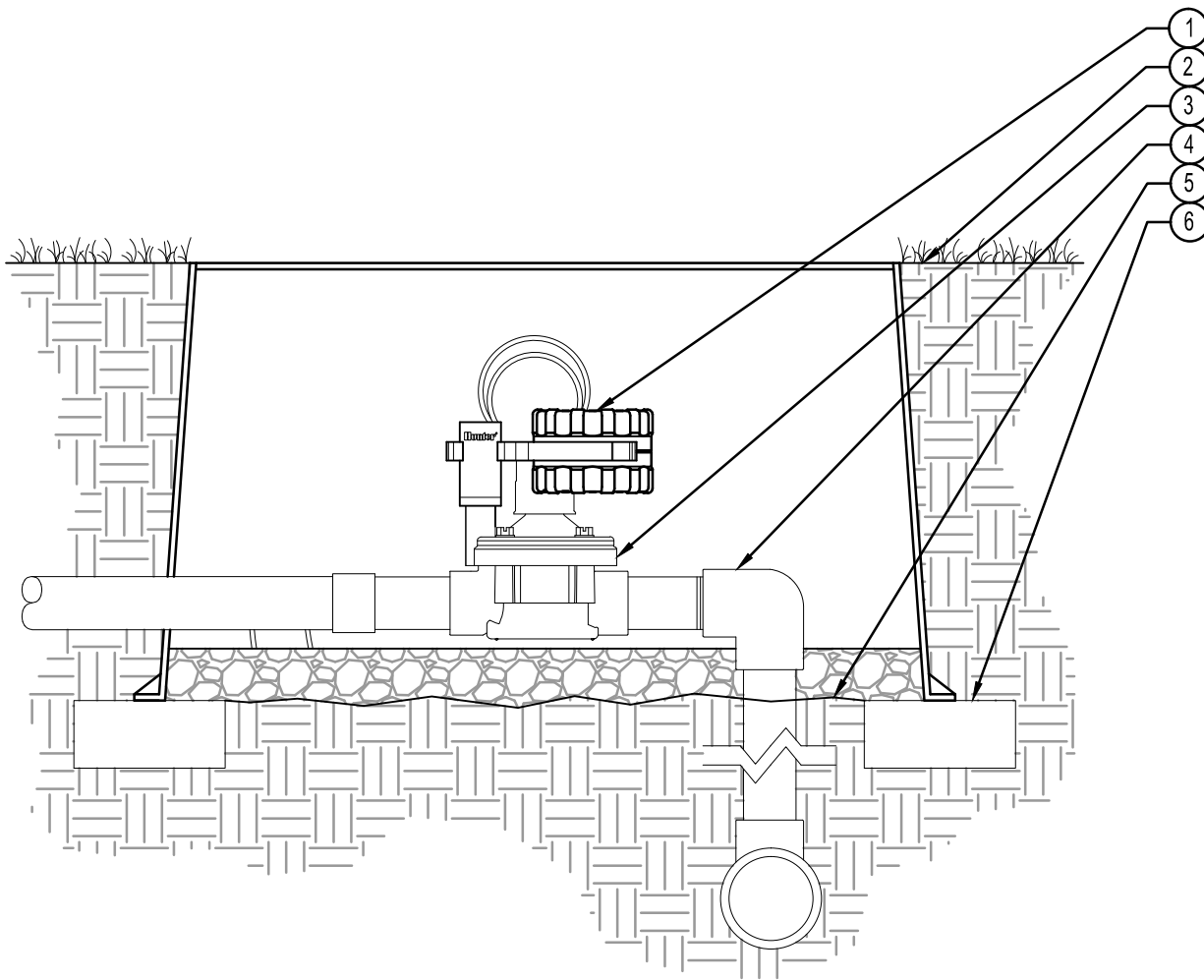
XX

NODE ON ASV WITH MULTIPLE VALVES



C.NODE.06

NOT TO SCALE

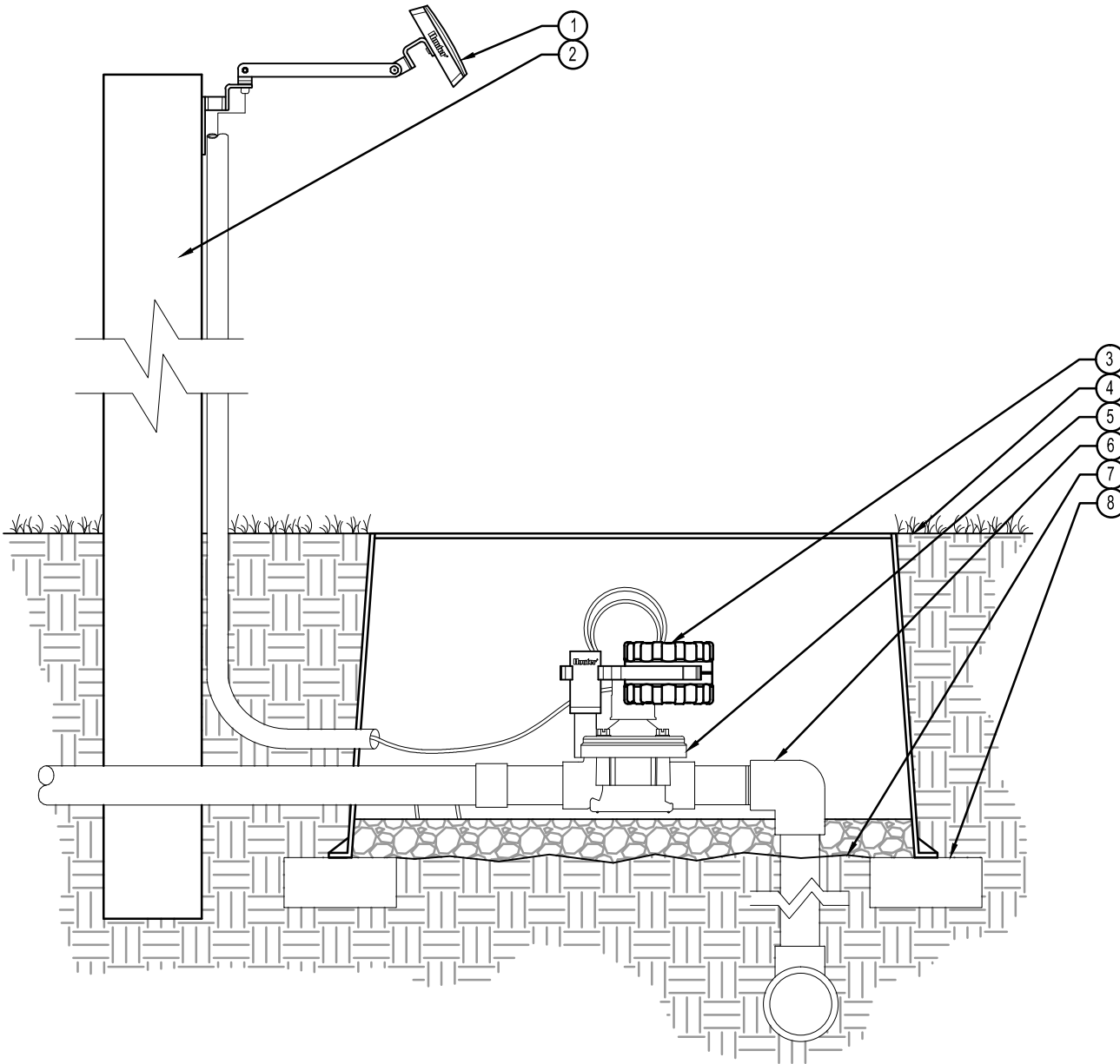


LEGEND:

- ① IRRIGATION CONTROLLER (NODE) PER PLAN
- ② FINISHED GRADE
- ③ VALVE PER PLAN
- ④ PVC MAIN LINE
- ⑤ FILTER FABRIC
- ⑥ BRICK

XX NODE ON VALVE
Hunter C.NODE.01

NOT TO SCALE



LEGEND:

- ① SOLAR PANEL
- ② POST OR SUITABLE MOUNTING SURFACE
- ③ IRRIGATION CONTROLLER (NODE) PER PLAN
- ④ FINISHED GRADE
- ⑤ VALVE PER PLAN
- ⑥ PVC MAIN LINE
- ⑦ FILTER FABRIC
- ⑧ BRICK

XX NODE ON VALVE WITH SOLAR PANEL
Hunter C.NODE.02

NOT TO SCALE