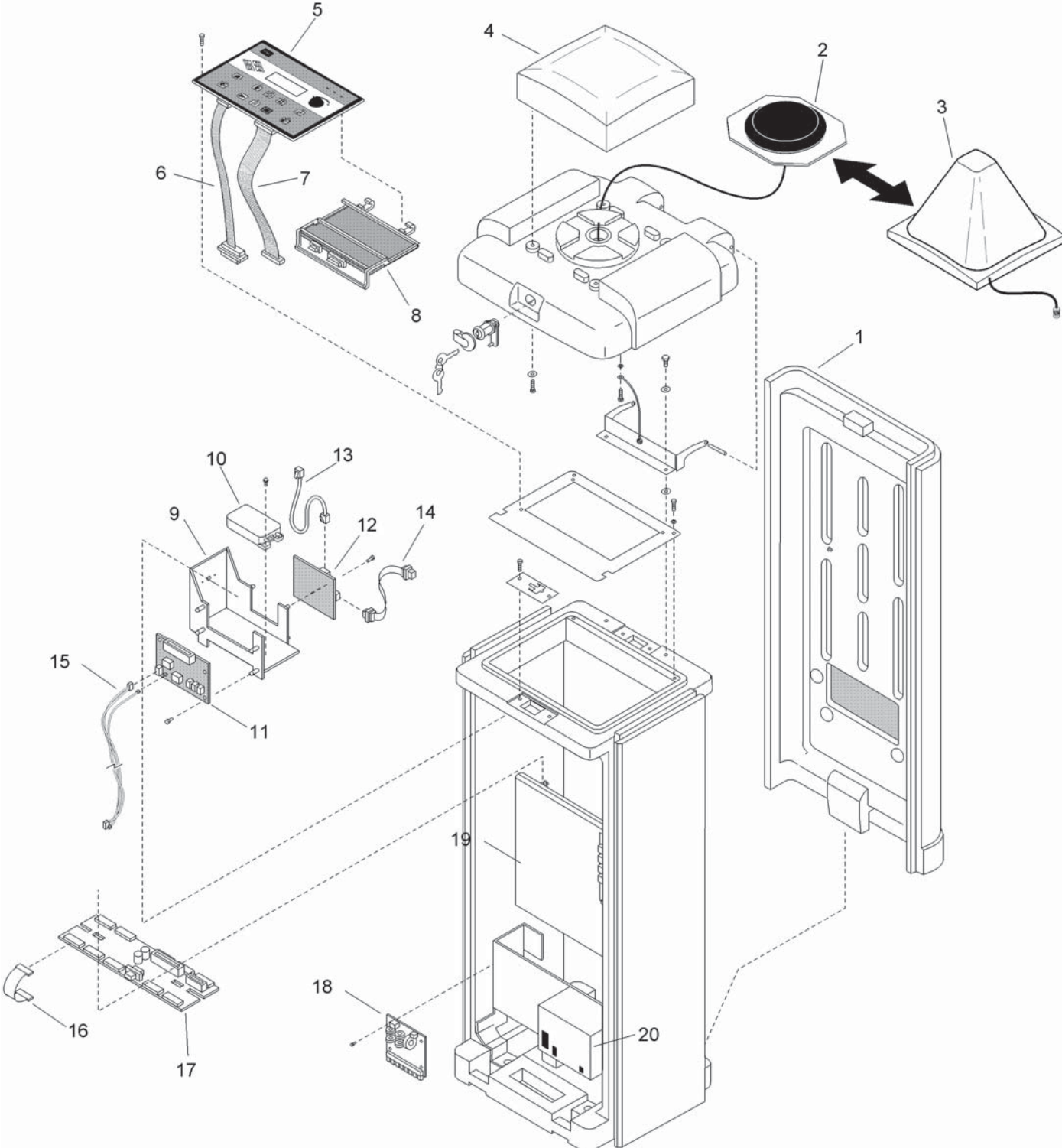


Network VP and VPE - Plastic Cabinet



Network VP and VPE - Plastic Cabinet (continued)

<i>Ref.</i>	<i>Part Number</i>	<i>Qty.</i>	<i>Description</i>	<i>Ref.</i>	<i>Part Number</i>	<i>Qty.</i>	<i>Description</i>
1		1	Satellite Plastic Pedestal & Components (See Plastic Cabinet Components Section) ♦	12	102-3125SK	1	Radio Interface Board ○ ▲
2		1	Antenna Assy., Plastic Pedestal (See Service Item 102-6808) ♦	13	363-3619SK	1	Rj-45 Cable Assy. ○ ▲
3		1	Dome Antenna Assy., Plastic Pedestal ♦	14	102-3257SK	1	Db-9 Cable Assy. ○ ▲
4		1	Cover, Satellite Lid (See Plastic Cabinet Components Section) ♦	15			Cable Assy., Modem To Surge Board ♦ ▲
5	102-3497SK	1	Timing Mechanism (Tm), Vp Satellite	16	102-0670		Ribbon Cable, Distribution To Output, 4" Length □
5	102-9738SK	1	Timing Mechanism, Vpe Satellite	17	102-2782SK	1	Distribution Board
6	102-4573SK	1	Cable Assy., Tm To Modem	17	102-9124SK	1	Ltc+ To Vp Conversion Kit
7	102-3030SK	1	Cable Assy., Tm To Distribution, 12"	18	102-8086SK	1	Pcb Assy. Surge Board □
8	89-9026	1	Standard Modem, Svc.	19			Vp And Vpe Internal Components (See Vp And Vpe Internal Components Section) ♦
9		1	Bracket, Radio Assy. ♦ ▲	20		1	Power Supply Assy. (See Power Supply Assy. Section) ♦
10	363-4638SK	1	Maxon Radio ▲		363-4185SK		Battery, Vp Back-Up, Service ● ■
11	89-7701	1	Modem Assy., Universal, Service ○ ▲		89-9044		Cable Assy. Svc., Surge To Modem & Surge To Terminal Block ● ■
					102-6808		Kit, Service, Antenna Assy., Plastic Pedestal ● ■

● SERVICE ITEMS

▲ UHF Models Only

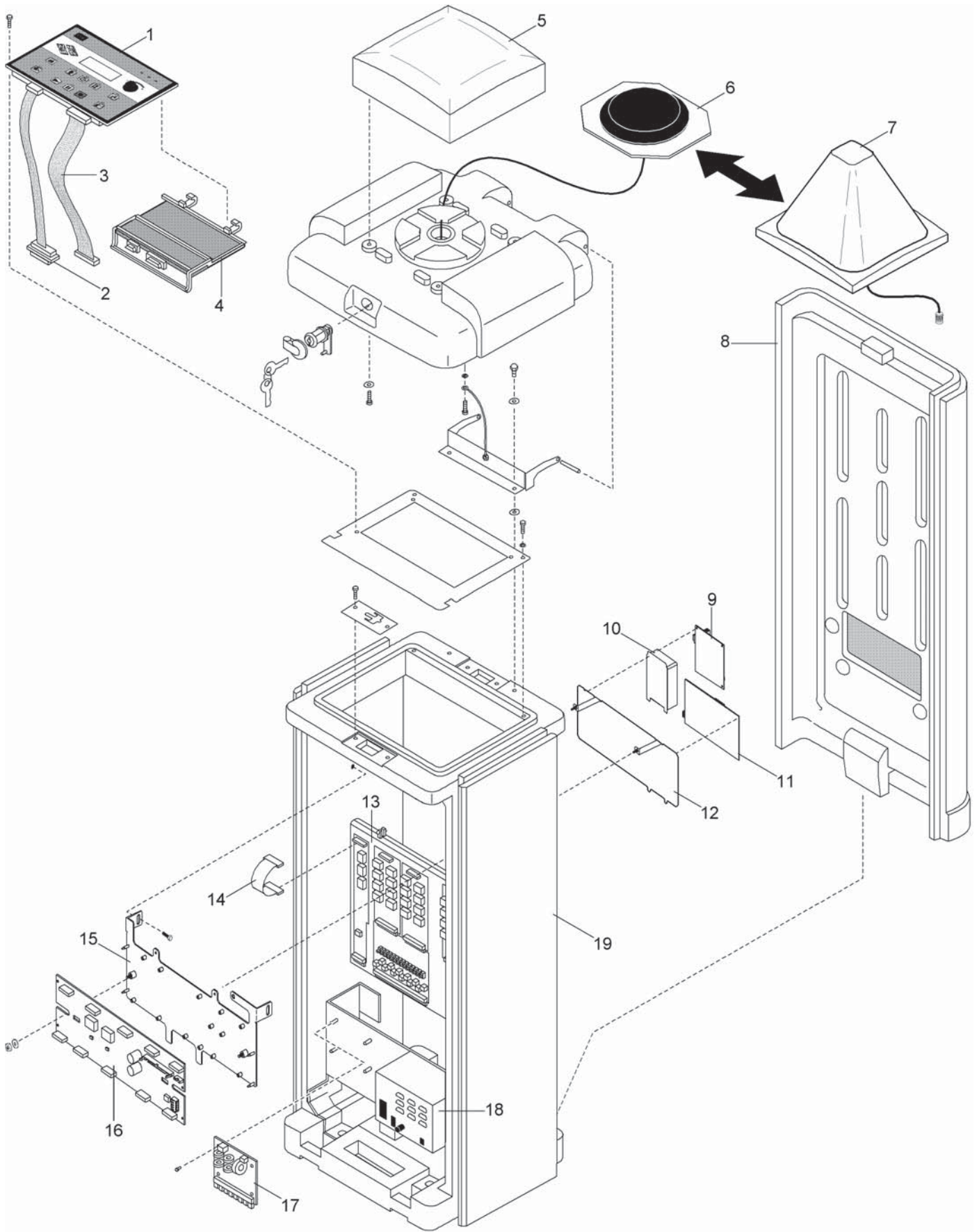
□ Quantity Varies With Model

○ Order Through Finished Goods Distribution System - Minneapolis

■ Not illustrated

♦ Not serviced separately

Network VP and VPe - 2013 and Later

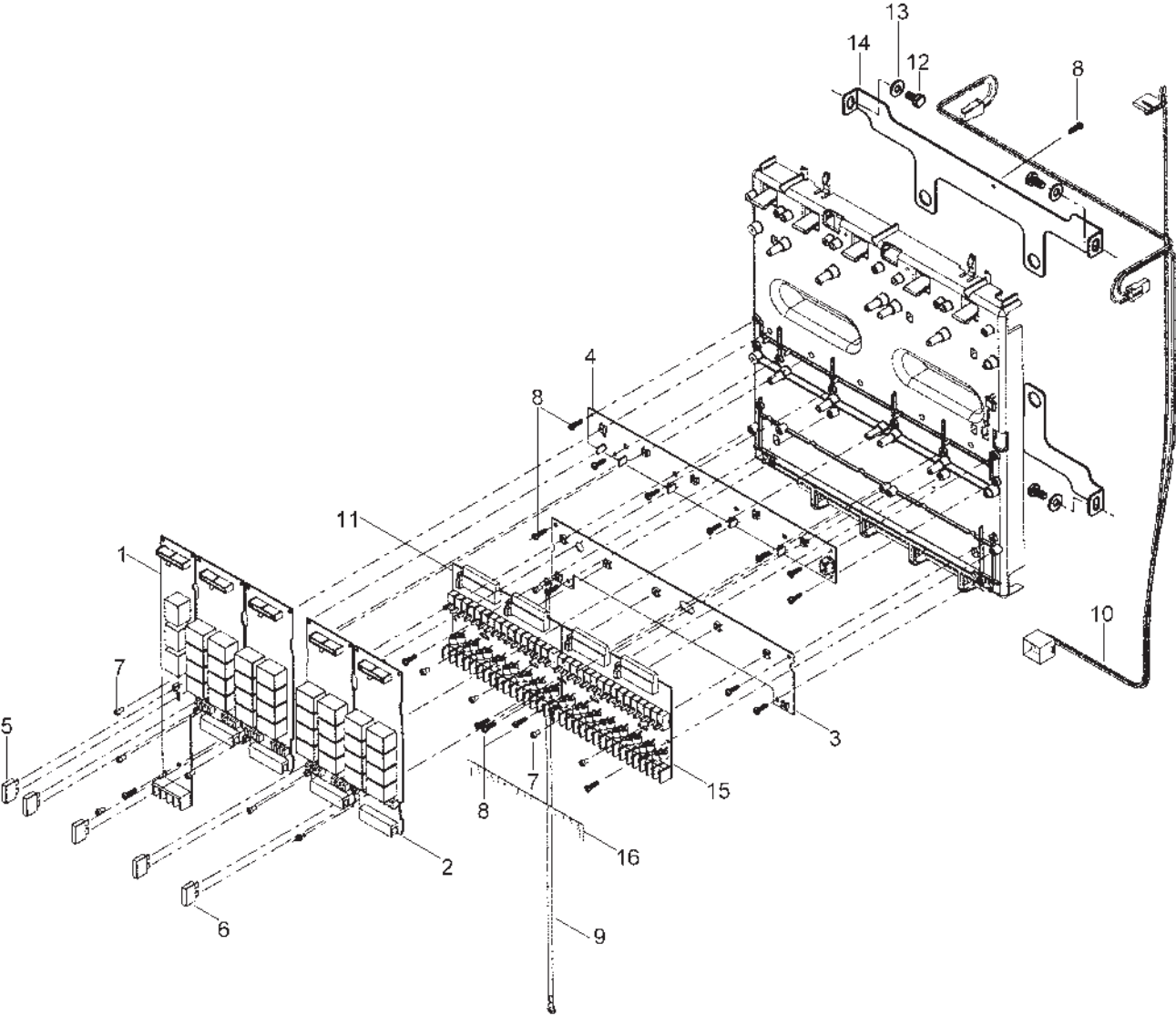


Network VP and VPe - 2013 and Later (continued)

<i>Ref.</i>	<i>Part Number</i>	<i>Qty.</i>	<i>Description</i>	<i>Ref.</i>	<i>Part Number</i>	<i>Qty.</i>	<i>Description</i>
1	102-3497SK	1	Timing Mechanism (Tm), Vp Satellite	12	118-1938SK	1	Bracket, Radio, Vertical
2	102-4573SK	1	Cable Assy., Tm To Modem	13		1	Vp Internal Components (See Vp Internal Components Section) ●
3	102-3030SK	1	Cable Assy., Tm To Distribution, 12"	14	102-0670	5	Ribbon Cable, Distribution To Output, 4" Length
4	89-9026	1	Standard Modem, Svc.	14	118-2736	5	Ribbon Cable, Distribution To Output, 12" Length
4	364-1003	1	Cable Assy., Tm To Distribution, 18"	15	118-1937SK	1	Bracket, Power Distribution Board, Vertical
5		1	Cover, Satellite Lid (See Golf Controller Plastic Pedestal Cabinet Components Section) ●	16	118-2737SK	1	Power Distribution Board, Straight Connectors
6	102-6808	1	Kit, Service, Antenna Assy., Plastic Pedestal	17	102-8086SK	1	Pcb Assy. Surge Board
7		1	Dome Antenna Assy., Plastic Pedestal ●	18		1	Power Supply Assy. (See Power Supply Assembly Section) ●
8		1	Satellite Plastic Pedestal & Components (See Golf Controller, Plastic Pedestal Cabinet Components Section) ●	19		1	Satellite Plastic Pedestal & Components (See Golf Controller, Plastic Pedestal Cabinet Components Section) ●
9	102-3125SK	1	Radio Interface Board				
10	363-4638SK	1	Maxon Radio				
11	89-7701	1	Modem Assy., Universal, Service				

● Not serviced separately

Network VP and VPE - Internal Components



Network VP and VPE - Internal Components (continued)

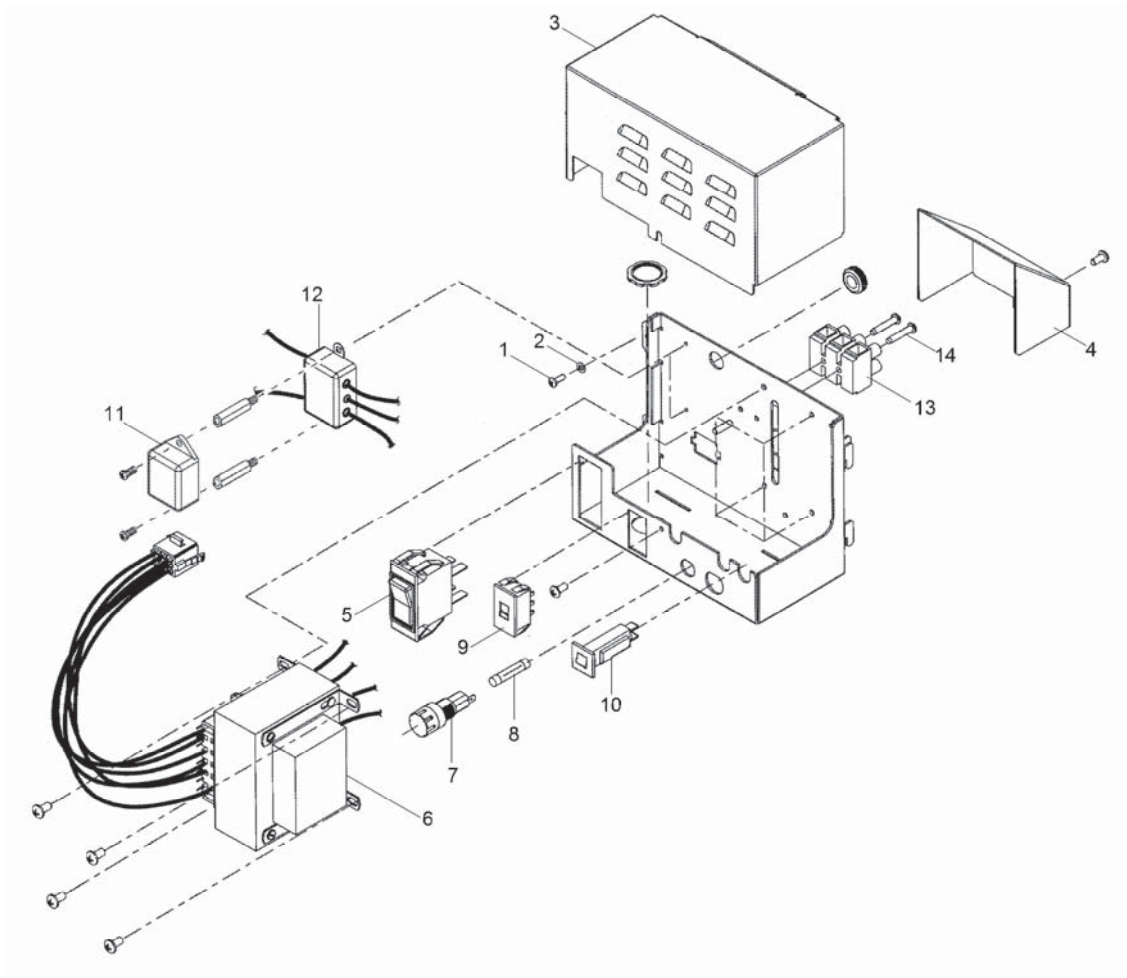
<i>Ref.</i>	<i>Part Number</i>	<i>Qty.</i>	<i>Description</i>	<i>Ref.</i>	<i>Part Number</i>	<i>Qty.</i>	<i>Description</i>
1	102-3015SK	1	Pump/Common Module Assy. (Includes Items 5, 7 And 102-0670 Ribbon Cable)	11	102-0639		16-Station Module Assy. (M1 Surge Upgrade) (Includes Items 7 And 8) ▲ ◆
2	102-0654		Output Module Assy., 8-Station (Includes Items 6, 7 And 102-0670 Ribbon Cable) ▲ ◆	11	102-0640		16-Station Module Assy. (M2 Surge Upgrade) (Includes Items 7 And 8) ▲ ◆
3	102-0652	1	Ground Bus Bar Pcb Assy., Service (Includes Item 8)	11	102-0641		16-Station Module Assy. (M3 Surge Upgrade) (Includes Items 7 And 8) ▲ ◆
4	102-0653	1	24 Vac Bus Bar Pcb Assy., Service (Includes Item 8)	11	102-0642		16-Station Module Assy. (M4 Surge Upgrade) (Includes Items 7 And 8) ▲ ◆
5	102-0658	1	Fuse, 1.0 Amp, Fast-Blow, Service (5-Pack)	12	360-0595	4	Screw, Machine, 1/4-20 X 1/2"
6	102-0657	4	Fuse, 3.0 Amp, Fast-Blow, Service (5-Pack)	13	360-0140	4	Washer-Flat
7	102-0671	11	Screw, Machine, 6-32 X 1/4"	14		2	Bracket, Mount Backplate ■
8	363-1355	20	Screw, Tap, #6	15	102-4586		Plastic Cover, Switches ▲
9	102-0685	1	Wire Harness Assy., Grounding	16	102-5940SK		Kit, Station Labels, Numbered, Plastic ▲
10	102-0686	1	Wire Harness Assy., Power Supply				
N/I	102-0638		8-Station Terminal Block (M0 Surge Level) ▲ ◆ ●				

● Not illustrated

▲ Quantity Varies With Model

◆ Order Through Finished Goods Distribution System - Minneapolis

■ Not serviced separately



Network VP and VPE - Power Supply

Ref.	Part Number	Qty.	Description
1	4-1063	2	Screw, Tap, #6
2		2	Washer, Lock, #6 ♦
3	102-0646	1	Cover, Power Supply
4	102-0695	1	Cover, Wire Terminal
5	102-0666	1	On/Off Switch
6	102-0382	1	Transformer Assy., Service ●
6	102-3759	1	Transformer Assy., Service (For Japanese Models Only) ●
7	102-0649	1	Fuse Holder W/Cap
8	102-0650	1	Fuse, 3.2 Amp, Slow-Blow (10-Pack) ●
9	102-0648	1	Slide Switch 115/230V
10	102-0651	1	Circuit Breaker, 4.0 Amp
11	118-0538SK	1	Ttf Surge Protector
12	102-0700	1	Filter Assy., Rfi
13	102-0667	1	Terminal Block, 115/230V (Includes Item 14) ▲
14	360-0297	2	Screw, #6 X 3/4"
	102-0645	1	Power Supply Assembly (Includes Items 1-14) ■

● SERVICE ITEMS
▲ (Includes Item 14)

■ Not illustrated
♦ Not serviced separately