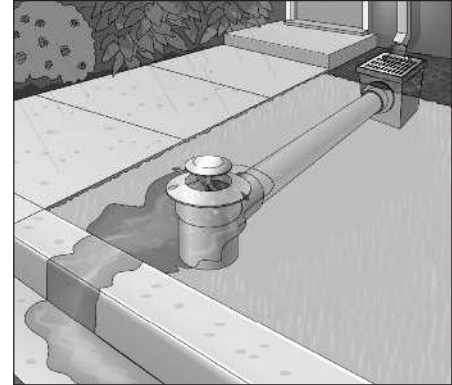


POP-UP DRAINAGE EMITTER



The Pop-Up Drainage Emitter is an easy, safe and efficient solution.

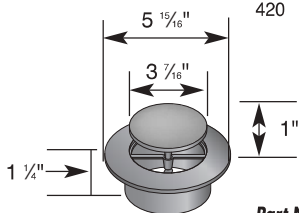
- It allows water to be diverted and released to water-safe areas away from structures, erosion-prone landscapes and poor drainage areas.
- It allows water captured by grates, catch basins, channel drains, Flo-Well, downspouts and roof gutter systems to flow through the drainage pipe and away from structural foundations to safe or useful areas. For example, water can be routed from a low area next to a foundation to a water safe area such as a curbside drainage system.
- It is opened by the hydrostatic pressure of water flowing through the drain pipe. As flow diminishes the Emitter closes again. The special patented design allows the Emitter to open with a negligible amount of pressure. Since the Emitter is closed during dry weather, debris and rodents cannot enter the drain pipes.
- It does not rise high enough to interfere with mowers.
- Spring automatically retracts – closes and prevents damage from lawn mowers.
- It blends into the surrounding landscapes.



Allows water to flow to street without core drilling the curb.

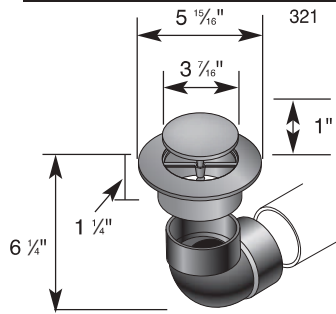
3" & 4" POP-UP DRAINAGE EMITTER

Part No.	Description	Color	Pkg. Qty.	Wt. Ea. (lbs.)	Product Class	Specifications
420	3" & 4" Pop-Up Drainage Emitter	Green	20	0.28	10ND	NDS #420, 3" and 4" Polyolefin Pop-Up Drainage Emitter, Center Drive Pop-Up with UV inhibitor, 40 G.P.M.



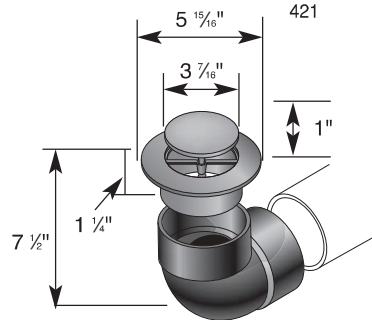
Fits 3" and 4" hub Sewer and Drain Fittings
Can now be installed in vertical applications - ideal for discharging water from retaining walls and street curbs. Spring automatically retracts.

Part No.	Description	Color	Pkg. Qty.	Wt. Ea. (lbs.)	Product Class	Specifications
321	3" Emitter with Elbow	Green	25	0.60	10ND	NDS #321, 3" Polyolefin Pop-Up Drainage Emitter, Center Drive Pop-Up with UV inhibitor, PVC 90 degree elbow with 1/4" Drain hole. 40 G.P.M.



May be used with Flo-Well to relieve overflow.
Can now be installed in vertical applications - ideal for discharging water from retaining walls and street curbs
Spring automatically retracts - prevents damage from lawn mowers.

Part No.	Description	Color	Pkg. Qty.	Wt. Ea. (lbs.)	Product Class	Specifications
421	4" Emitter with Elbow	Green	20	0.85	10ND	NDS #421, 4" Polyolefin Pop-Up Drainage Emitter, Center Drive Pop-Up with UV inhibitor, PVC 90 degree elbow with 1/4" Drain hole. 40 G.P.M.



May be used with Flo-Well to relieve overflow.
Can now be installed in vertical applications - ideal for discharging water from retaining walls and street curbs
Spring automatically retracts - prevents damage from lawn mowers.

Note: All dimensions are nominal. All weights are for shipping purposes only. Availability is subject to change.



NDS Customer Service
851 N. Harvard Ave, Lindsay, CA 93247
Phone: (800) 726-1994 • (559) 562-9888
Fax: (800) 726-1998 • (559) 562-4488
www.NDSPRO.com

Part No.	Description	Color	Pkg. Qty.	Wt. Ea. (lbs.)	Product Class	Specifications
430	3" and 4" Pop-Up Drainage Emitter with Elbow and Universal Adapter	Green	20	1.00	10ND	NDS #430 4" Polyolefin Pop-Up Drainage Emitter, Center Drive Spring loaded Pop-Up with UV inhibitor, PVC 90 degree elbow with 1/4" drain hole 40 G.P.M.
	Universal Adapter fits 3" and 4" corrugated pipe, 3" and 4" sewer and drain pipe, 4" SCH. 40 pipe, and 3" and 4" triple wall pipe.					
	Universal Adapter, part #1241, also sold separately.					

6" POP-UP DRAINAGE EMITTER

Part No.	Description	Color	Pkg. Qty.	Wt. Ea. (lbs.)	Product Class	Specifications
620	6" Pop-Up Drainage Emitter	Green	15	0.61	10ND	NDS #620 6" Polyolefin Pop-Up Drainage Emitter, Center Spring loaded Drive Pop-Up with UV inhibitor, 100 G.P.M

Part No.	Description	Color	Pkg. Qty.	Wt. Ea. (lbs.)	Product Class	Specifications
624	6" Pop-Up Emitter with Elbow and Corrugated Pipe Adapter	Green	10	3.45	10ND	NDS #624 6" Polyolefin Pop-Up Drainage Emitter, Center Spring loaded Drive Pop-Up with UV Inhibitor, PVC 90 degree elbow with 1/4" drain hole 100 G.P.M

Part No.	Description	Color	Pkg. Qty.	Wt. Ea. (lbs.)	Product Class	Specifications
625	6" Pop-Up Emitter with Spee-D® Basin	Green	8	2.21	10ND	NDS #625 6" Polyolefin Pop-Up Drainage Emitter, Center Spring loaded Drive Pop-Up with UV Inhibitor, with 6" Spee-D® Basin, 100 G.P.M

Part No.	Description	Color	Pkg. Qty.	Wt. Ea. (lbs.)	Product Class	Specifications

Note: All dimensions are nominal. All weights are for shipping purposes only. Availability is subject to change.