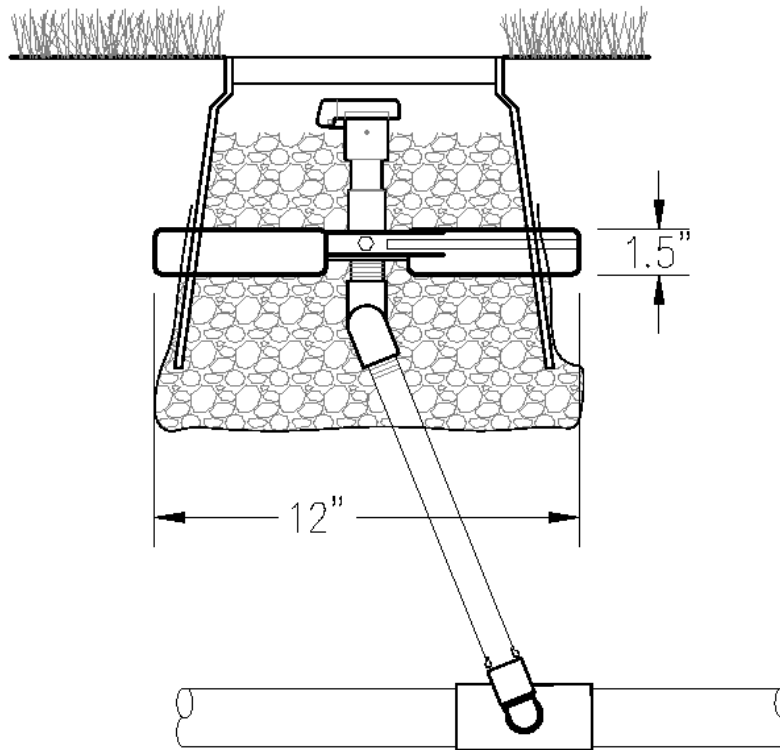


SUBMITTAL SHEET

QCV - Stabilizer (LS-120 & LS-150) For 3/4", 1" and 1-1/2" Quick Coupling Valves



SIZES: **LS-120 (3/4" & 1"), LS-150 (1-1/2")**
MATERIAL: **Class 350 Ductile Iron per ASTM A-536, Grade 65-45-12, AWWA C153**
EPOXY COATING: **ANSI/AWWA C116/A21.16-09, NSF 61 & CSA Z245.20-98, 10-12 MIL**
HARDWARE: **304 Stainless Steel**

Specification:

All quick coupling valves shall be restrained with cast ductile iron restrainers that attach securely to the base of the valve. Restrainer shall make contact with the hex flats of the valve and be secured by a single bolt. Stabilizer shall prevent rotation and vertical motions. All stabilizer's shall be constructed by Leemco, Inc., U.S.A.



Leemco, Inc.
360 S. Mount Vernon
Colton, CA. 92324
Ph: (909) 422-0088 Fx: (909) 422-0086
Web: www.leemco.com

Leemco has a large variety of Fittings & Valve Accessories...
Please refer to our IPS, DPS and DIN Price Lists for available Models and Sizes.