



**Count on it.**

**Parts Catalog**

**INFINITY Series Golf Sprinkler  
Body, 1" and 1.5"**

Model No. INFINITY Series



# Ordering Replacement Parts

To order replacement parts, please supply the part number, the quantity, and the description of each part desired.

## Understanding Reference Numbers

Each identified part in an illustration has a reference number. The reference number for a part also appears in the parts list, along with other information about the part.

This catalog uses two special reference number formats, one to indicate parts in a service assembly and another to indicate the quantity of a given part in an illustration.

## Service Assembly Reference Numbers

Parts in service assemblies have reference numbers in the form a:b. The a represents the reference number of the entire service assembly and the b represents a sequential number unique to each part within the service assembly.

For example, a wheel assembly might be identified by reference number 6, the tire by 6:1, the valve by 6:2, and the wheel by 6:3. When you order the assembly identified by reference number 6, you receive all parts identified by reference numbers 6:1, 6:2, and 6:3. However, you may also order any part individually. Reference numbers of this type appear in illustration and in parts lists.

## Reference Numbers Indicating Quantity

In an illustration, if a reference number indicates more than one part, the reference number has the form nX y. The n represents the quantity of the part, the X is the multiplication symbol, and the y represents the reference number.

For example, in an illustration, the reference number 2X 37 means that two of the parts identified by reference number 37 are indicated.

# List of Abbreviations

**AR:** as required

**ASM:** assembly

**BBC:** blade brake control

**BHTF:** button head thread forming

**CARR:** carriage

**CCW:** counter clockwise

**CW:** clockwise

**DEG:** degrees

**DPA:** Dual Point Adjustment

**ECM:** electronic control module

**EXT:** external

**FH:** flat head

**GA:** gauge

**HD:** heavy-duty

**HF:** hex flange

**HH:** hex head

**HHF:** hex head flange

**HHFTF:** hex head flange thread forming

**HJ:** hex jam

**HLH:** hex lag head

**HOC:** height-of-cut

**HSBH:** hex socket button head

**HSFH:** hex socket flat head

**HSH:** hex socket head

**HWH:** hex washer head

**HWHTF:** hex washer head thread forming

**HYD:** hydraulic

**LH:** left hand

**LP:** Liquefied Petroleum Gas

**LPG:** Liquefied Petroleum Gas

**NI:** nylon insert

**NPTF:** national pipe thread fine

**PFH:** phillips flat head

**PPH:** phillips pan head

**PPHTF:** phillips pan head thread forming

**PRH:** phillips round head

**PTH:** phillips truss head

**PTO:** power-take-off

**RH:** right hand

**ROPS:** roll-over protection system

**RRB:** rear roller brush

**SFH:** slotted fillister head

**SHH:** slotted hex head

**SHWH:** slotted hex washer head

**SPH:** slotted pan head

**SQH:** square head

**SRH:** slotted round head

**STD:** standard

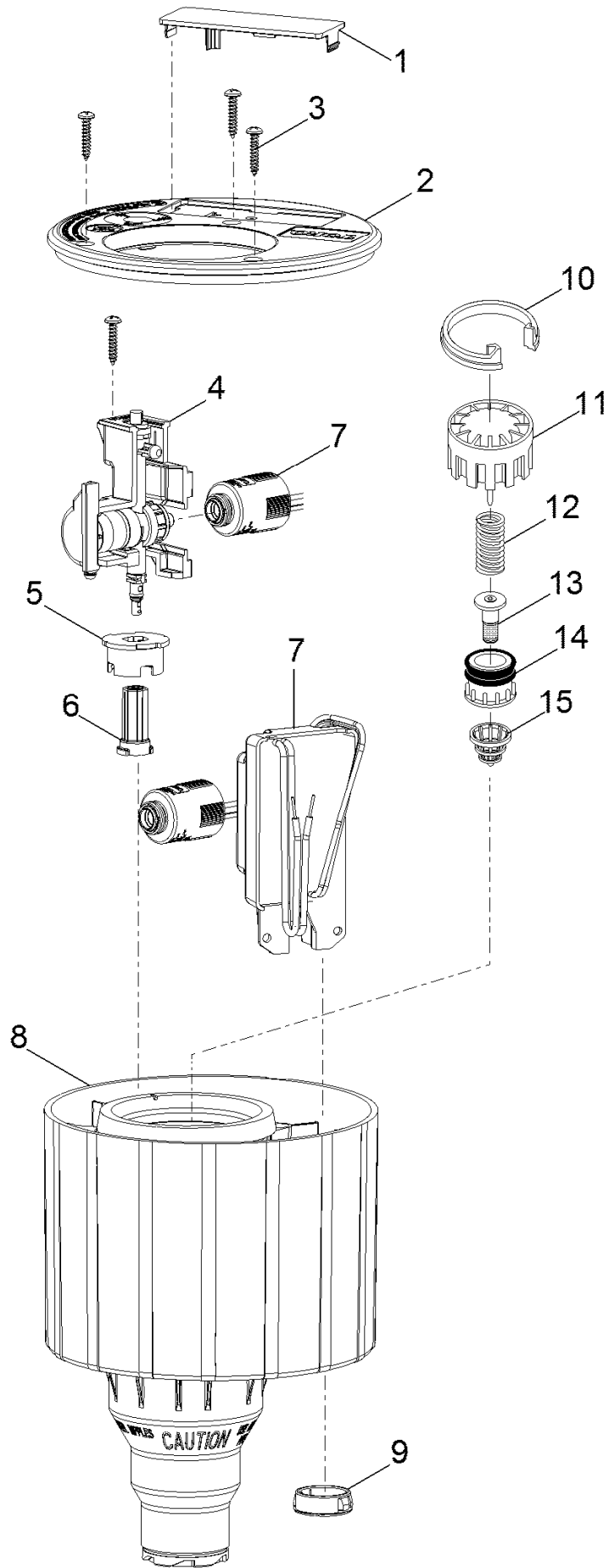
**TAP:** self tapping

**TTH:** torx truss head

# Contents

INFINITY Series 1 Inch Golf Sprinkler Body ..... 4  
INFINITY Series 1.5 Inch Golf Sprinkler Body ..... 6

# INFINITY Series 1 Inch Golf Sprinkler Body



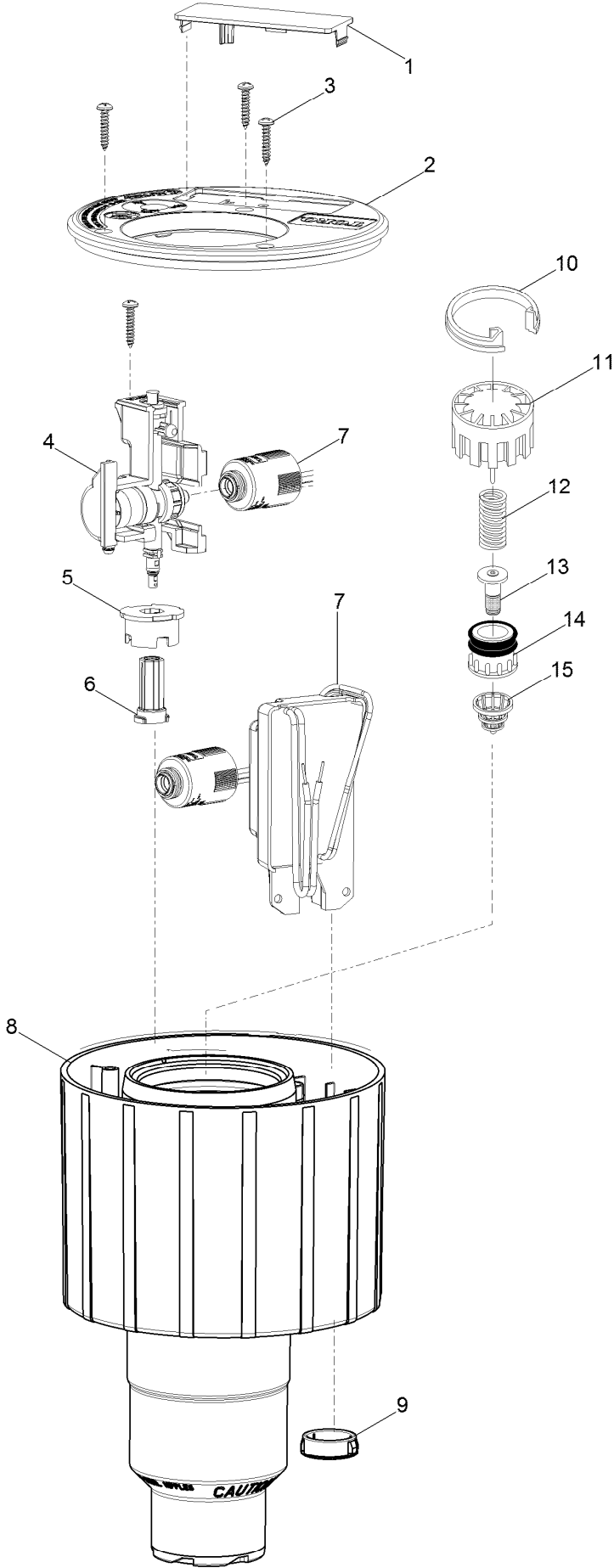
# INFINITY Series 1 Inch Golf Sprinkler Body (continued)

<i>Ref.</i>	<i>Part Number</i>	<i>Qty.</i>	<i>Description</i>	<i>Ref.</i>	<i>Part Number</i>	<i>Qty.</i>	<i>Description</i>
1	118-1840	1	Marker, Blank	7	102-2709	1	Solenoid Assy., 24Vdc, Latching (Red W/ White Stripe And Black Wires)
1	118-3029	1	Marker, Laser Etched				
2	118-1813	1	Cover	7	118-0841	1	Gdc Module, 1-Station, Golf Body With Solenoid
3	4102001	6	Screw, Tap, 10-16 X 1.25	8	118-3031	1	Body, W/ Comp, 1" Acme
4	118-1826	1	Pilot Valve, Spike-Guard Solenoid	9	364-1164	1	Plug, Cable Access
4	118-1982	1	Pilot Valve W/O Solenoid	10	89-4702	1	Snap Ring, Valve
4	118-1983	1	Pilot Valve W/ Nickel Plated Spike-Guard Solenoid	11	102-0623	1	Cylinder Assy., El & No/Com
4	118-1984	1	Pilot Valve W/ Dc Latching Solenoid	12	102-6411	1	Spring, Valve, El/No, Silver
4	118-1985	1	Pilot Valve W/ 600/700 Solenoid	13	35-9646	1	Filter Assy., Metering, El, Nc
5	118-1815	1	Retainer, Check Valve	14	89-1054	1	Piston Assy., El & Nc (Include Item 13)
6	118-1827	1	Check Flow Assy., Vih Communication	15	102-0784	1	Rock Screen, 1"
7	118-0248	1	Solenoid, 600/700 Series (Red & Black Wires)		118-3651	1	Wire Splice Kit (Includes 2 Gel Caps And 2 Wire Nuts) ■●
7	102-3443	1	Solenoid-Low Wattage, W/Surge Protection (Black Wires)		995-80	1	Nut Driver, 1/2 (For Check Flow Assembly) ■●
7	102-3444	1	Solenoid-Low Wattage, W/Surge Protection, Nickel Plated (Red Wires)				

● SERVICE ITEMS

■ Not illustrated

# INFINITY Series 1.5 Inch Golf Sprinkler Body



# INFINITY Series 1.5 Inch Golf Sprinkler Body (continued)

<i>Ref.</i>	<i>Part Number</i>	<i>Qty.</i>	<i>Description</i>	<i>Ref.</i>	<i>Part Number</i>	<i>Qty.</i>	<i>Description</i>
1	118-1840	1	Marker, Blank	7	102-2709	1	Solenoid Assy., 24Vdc, Latching (Red W/ White Stripe And Black Wires)
1	118-3029	1	Marker, Laser Etched				
2	118-1813	1	Cover				
3	4102001	6	Screw, Tap, 10-16 X 1.25	7	118-0841	1	Gdc Module, 1-Station, Golf Body With Solenoid
4	118-1826	1	Pilot Valve, Spike-Guard Solenoid	8	118-3030	1	Body, W/ Comp, 1.5" Acme
4	118-1982	1	Pilot Valve W/O Solenoid	9	364-1164	1	Plug, Cable Access
4	118-1983	1	Pilot Valve W/ Nickel Plated Spike-Guard Solenoid	10	3-3304	1	Snap Ring, Valve
4	118-1984	1	Pilot Valve W/ Dc Latching Solenoid	11	102-0626	1	Cylinder Assy., EI And No/Com
4	118-1985	1	Pilot Valve W/ 600/700 Solenoid	12	102-6411	1	Spring, Valve, EI/No, Silver
5	118-1815	1	Retainer, Check Valve	13	35-9645	1	Filter Assy., Metering, EI & Nc
6	118-1827	1	Check Flow Assy., Vih Communication	14	102-5101	1	Piston Assy., EI
7	118-0248	1	Solenoid, 600/700 Series (Red & Black Wires)	15	102-6065	1	Rock Screen, 1.5"
7	102-3443	1	Solenoid-Low Wattage, W/Surge Protection (Black Wires)		118-3651	1	Wire Splice Kit (Includes 2 Gel Caps And 2 Wire Nuts) ■●
7	102-3444	1	Solenoid-Low Wattage, W/Surge Protection, Nickel Plated (Red Wires)		995-80	1	Nut Driver, 1/2 (For Check Flow Assembly) ■●

● SERVICE ITEMS

■ Not illustrated



**Count on it.**