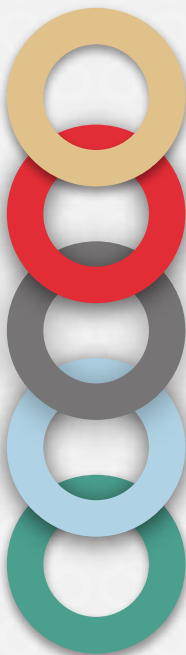


# ACCU-SYNC™

VALVE PRESSURE REGULATOR

FIXED



**Hunter®**  
THE IRRIGATION INNOVATORS

# ACCU-SYNC™

AS-20, 30, 40, 50, or 70






Regulating pressure saves water and extends the life of the irrigation system. Water savings is achieved by operating each zone at the best pressure for that equipment and application type. Accu-Sync ensures that every zone in every system stays in check for maximum water savings and longevity.



adjustable  
model available



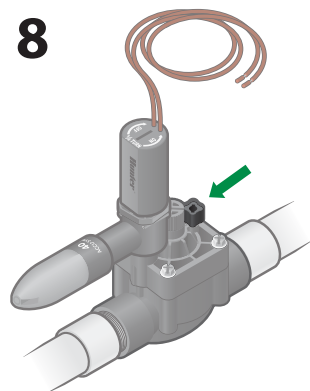
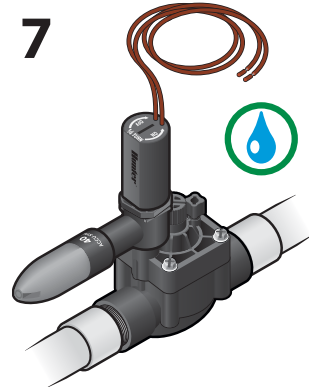
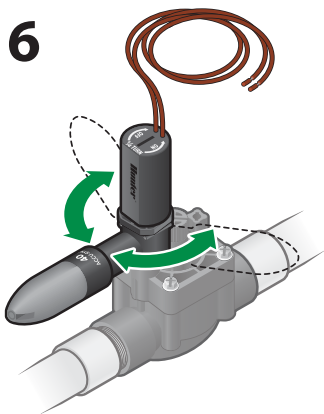
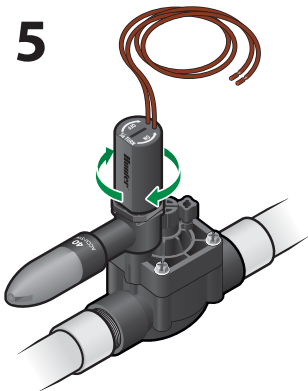
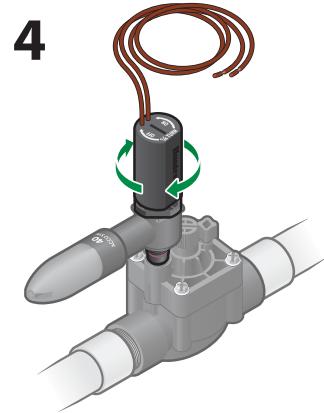
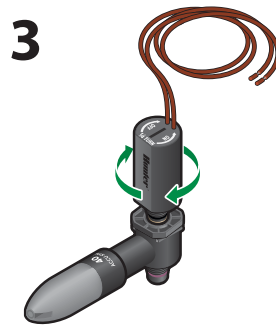
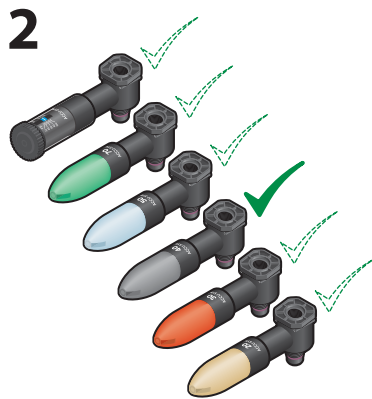
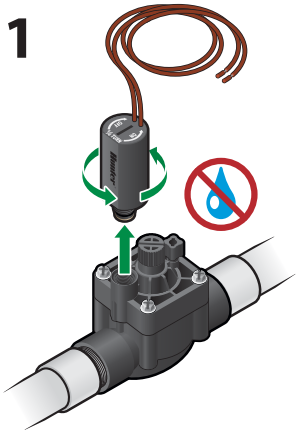
## FIXED MODELS

-  **AS-20: 20 PSI (1.4 bar)**  
Application: Point source micro irrigation
-  **AS-30: 30 PSI (2.1 bar)**  
Application: Spray systems
-  **AS-40: 40 PSI (2.8 bar)**  
Application: MP Rotator and large drip systems
-  **AS-50: 50 PSI (3.5 bar)**  
Application: Mid-range rotors
-  **AS-70: 70 PSI (4.8 bar)**  
Application: Large rotors

Compatible with all  
Hunter valves.

Consult our catalog or  
brochure for Accu-Sync and  
valve flow rate and size  
compatibility.

**Hunter**®  
THE IRRIGATION INNOVATORS



Locate the **external** bleed plug, and open to remove any air.