



Accessories for ECHO products can be found at:

Los accesorios para los productos ECHO se pueden encontrar en:

www.echo-usa.com/products/catalogs



PARTS CATALOG
LISTA DE PIEZAS

HC-155
Hedge Clipper
HC-155 Recortadora de cercos



21.2 cc

SERIAL NUMBER
NÚMERO DE SERIE

T45914001001-T4591499999

ECHO, INCORPORATED

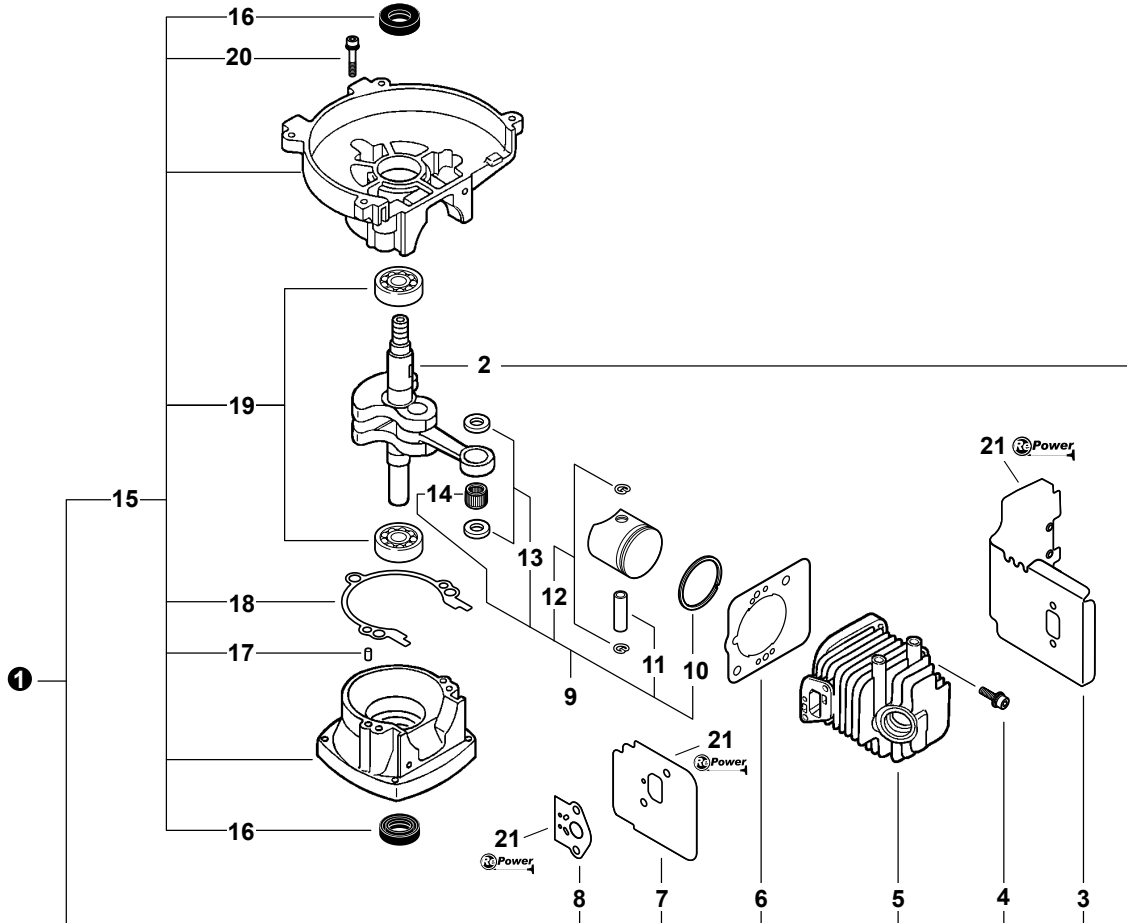
400 Oakwood Road, Lake Zurich, Illinois 60047

WWW.ECHO-USA.COM

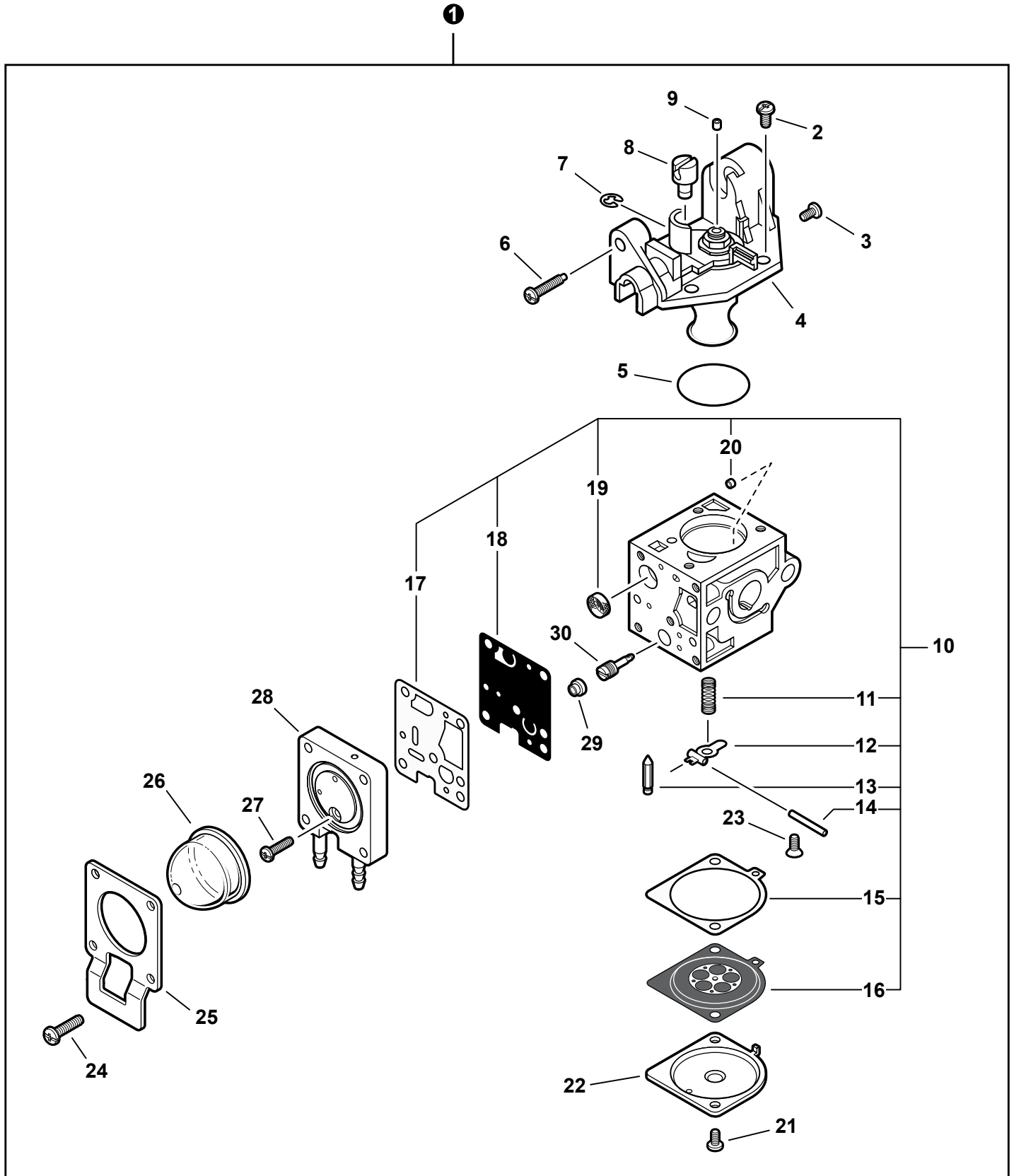
©2015 ECHO, Incorporated. All Rights Reserved

P/N 99922204323
REVISED 05/18/15

Engine 3 Motor	Handle, Gear Case - 24" WITHOUT Tip Guard 21 Mango, Caja de Engranajes - 24" sin protector de la punta
Carburetor 4 Carburador	Labels 22 Etiquetas
Carburetor 5 Carburador	RePower Maintenance Kits 23 Juegos de mantenimiento RePower
Intake 6 Admisión	
Exhaust 7 Escape	
Engine Cover, Debris Guard 8 Cubierta del Motor, Protector Contra Residuos	
Starter 9 Arrancador	
Ignition 10 Encendido	
Fuel System 11 Sistema de combustible	
Handles, Throttle Control 12 Mangos, Control del Acelerador	
Clutch 13 Embrague	
Handle, Gear Case - 20" WITH Tip Guard 14 Mango, Caja de Engranajes - 20" con protector de la punta	
Handle, Gear Case - 20" WITH Tip Guard 15 Mango, Caja de Engranajes - 20" con protector de la punta	
Handle, Gear Case - 20" WITHOUT Tip Guard ... 16 Mango, Caja de Engranajes - 20" sin protector de la punta	
Handle, Gear Case - 20" WITHOUT Tip Guard ... 17 Mango, Caja de Engranajes - 20" sin protector de la punta	
Handle, Gear Case - 24" WITH Tip Guard 18 Mango, Caja de Engranajes - 24" con protector de la punta	
Handle, Gear Case - 24" WITH Tip Guard 19 Mango, Caja de Engranajes - 24" con protector de la punta	
Handle, Gear Case - 24" WITHOUT Tip Guard 20 Mango, Caja de Engranajes - 24" sin protector de la punta	

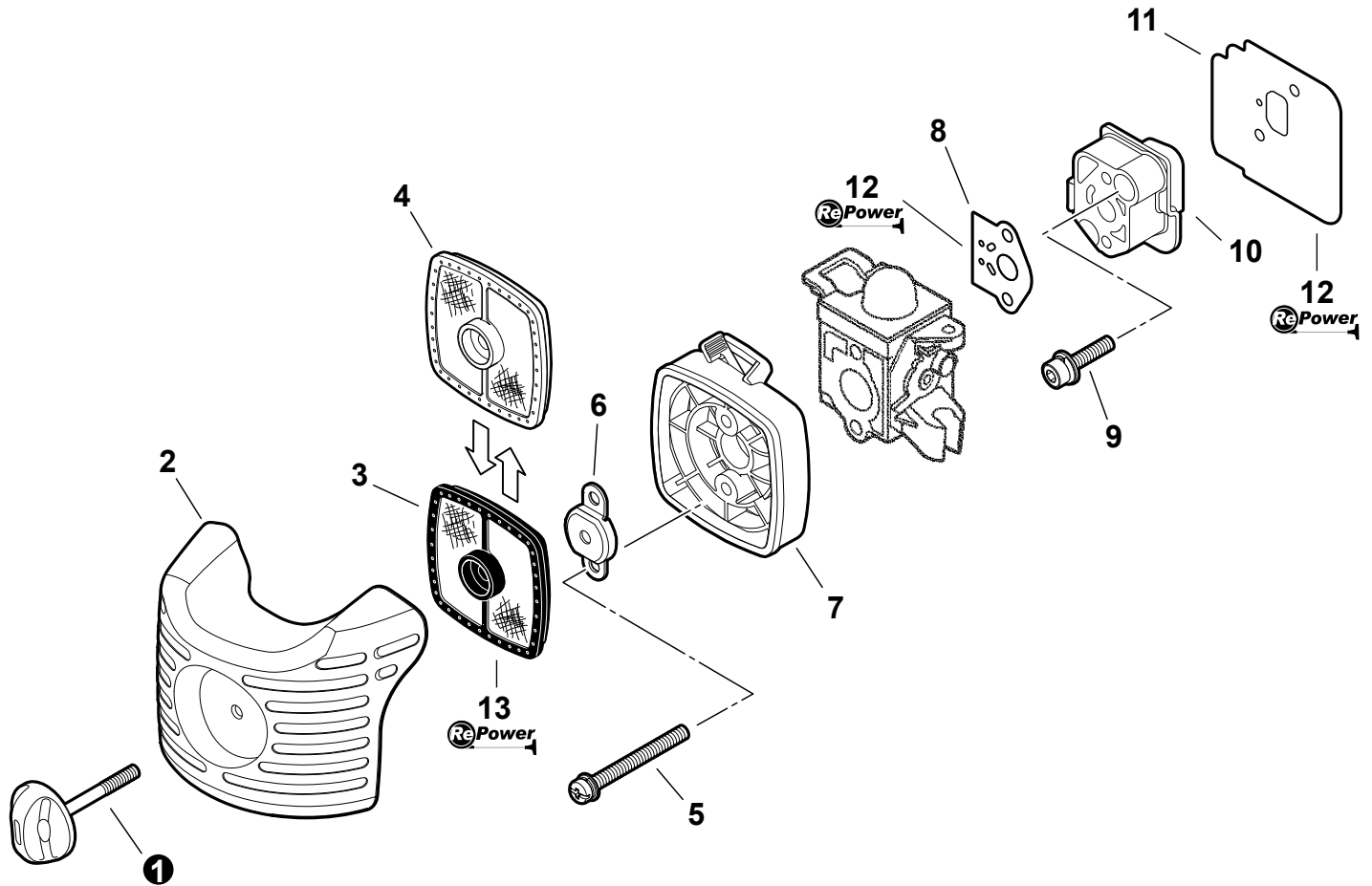


NO.	PART NUMBER	QTY.	DESCRIPTION	DESCRIPCIÓN
1	SB1075	1	SHORT BLOCK -- SB1075	BLOQUE CORTO -- SB1075
2	A011000223	1	+CRANKSHAFT ASSY	+CONJUNTO DE CIGÜEÑAL
3	V104000850	1	+SHIELD, EXHAUST	+PROTECTOR, ESCAPE
4	90016205022	2	+SCREW - 5×25	+TORNILLO - 5×25
5	A130000550	1	+CYLINDER	+CILINDRO
6	V100000160	1	+GASKET, CYLINDER	+JUNTA, CILINDRO
7	V103000180	1	+GASKET, INTAKE	+JUNTA, ADMISIÓN
8	V103000410	1	+GASKET, INTAKE	+JUNTA, ADMISIÓN
9	P021007772	1	+PISTON KIT	+KIT DE PISTÓN
10	A101000090	1	++RING, PISTON	++ANILLO, PISTÓN
11	10001311520	1	++PIN, PISTON	++PASADOR, PISTÓN
12	10001504630	2	++RING, RETAINING	++ANILLO, RETÉN
13	10001408960	2	++WASHER	++ARANDELA
14	10011305930	1	++BEARING, NEEDLE - 8	++COJINETE, DE AGUJAS - 8
15	10020452132	1	+CRANKCASE KIT	+KIT DE CÁRTER
16	10021242031	2	++SEAL, OIL	++SELLO, ACEITE
17	90033040080	2	++PIN, LOCATING	++PIN, LOCATING
18	10024242030	1	++GASKET, CRANKCASE	++JUNTA, CÁRTER
19	9403536201	2	++BEARING, BALL - 6201	++COJINETE DE BOLAS - 6201
20	90016205028	3	++SCREW - 5×28	++TORNILLO - 5×28
21	P021013500	1	GASKET KIT	KIT DE JUNTAS

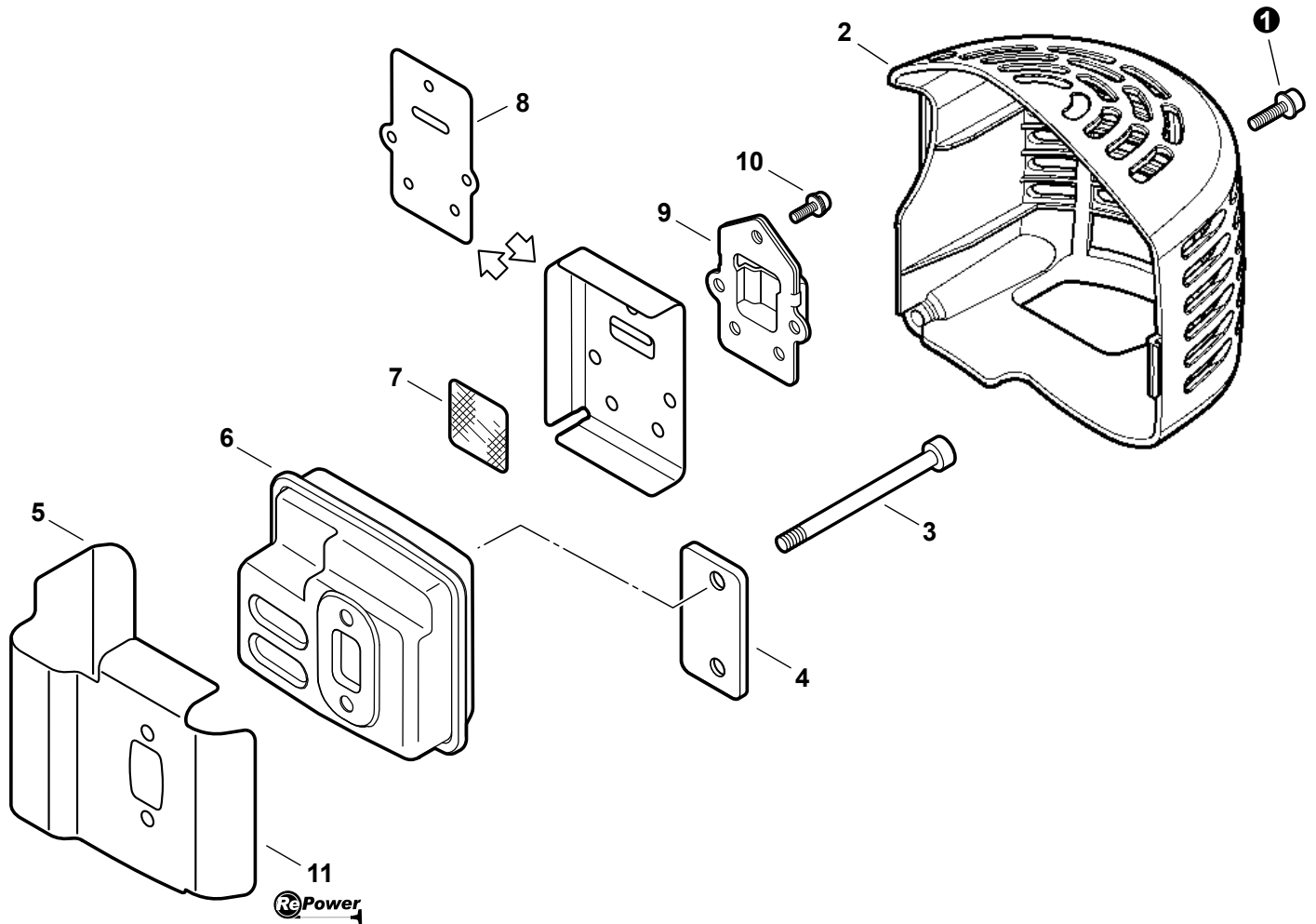




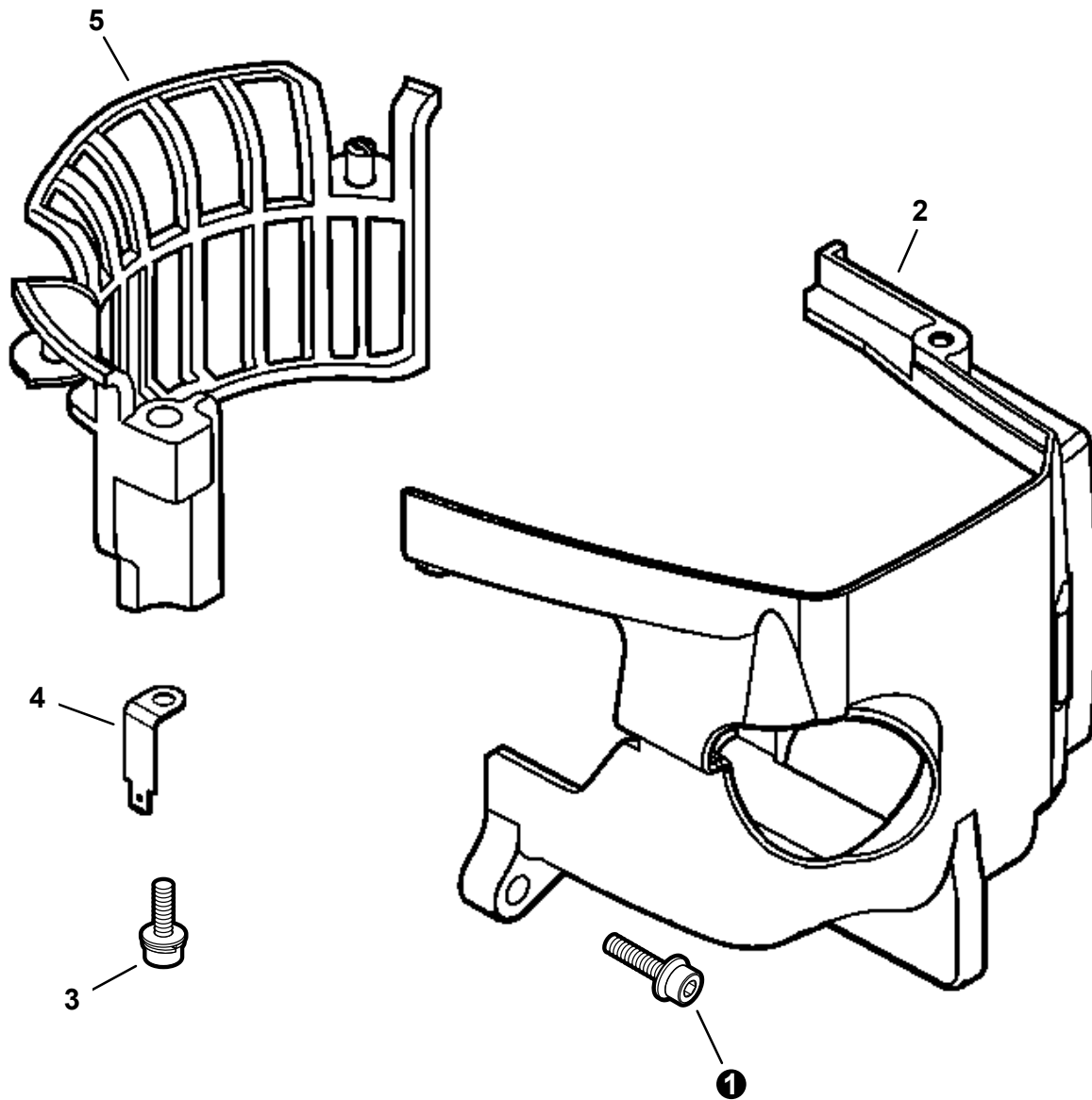
NO.	PART NUMBER	QTY.	DESCRIPTION	DESCRIPCIÓN
1	A021001613	1	CARBURETOR -- RB-K91A	CARBURADOR -- RB-K91A
2	12534413931	3	+SCREW	+TORNILLO
3	12534452130	1	+SCREW	+TORNILLO
4	P005002050	1	+ROTOR COVER ASSY	+CONJUNTO DE CUBIERTA DEL ROTOR
5	P005000280	1	+O-RING	+ANILLO O
6	P005000100	1	+SCREW, IDLE ADJUST	+TORNILLO, AJUSTE DE RALENTÍ
7	P005000190	1	+RING, RETAINING	+ANILLO, RETÉN
8	P005002090	1	+SWIVEL	+PIVOTE
9	P005001270	1	+PLUG	+TAPÓN
10	P005001670	1	+REPAIR KIT	+KIT DE REPARACIÓN
11	-----	1	++SPRING, METERING LEVER	++RESORTE, PALANCA DE DOSIFICACIÓN
12	-----	1	++LEVER, METERING	++PALANCA, DOSIFICACIÓN
13	-----	1	++VALVE, INLET NEEDLE	++VÁLVULA DE AGUJA, ADMISIÓN
14	-----	1	++PIN, METERING LEVER	++PASADOR, PALANCA DE DOSIFICACIÓN
15	-----	1	++GASKET, DIAPHRAGM	++JUNTA, DIAFRAGMA
16	-----	1	++DIAPHRAGM, METERING	++DIAFRAGMA, DOSIFICACIÓN
17	-----	1	++GASKET, PUMP	++JUNTA, BOMBA
18	-----	1	++DIAPHRAGM, PUMP	++DIAFRAGMA, BOMBA
19	-----	1	++STRAINER	++TAMIZ
20	P005001000	1	++GUIDE, ROLLER	++GUÍA, RODILLO
21	12534452130	2	+SCREW	+TORNILLO
22	12534252130	1	+COVER, METERING	+CUBIERTA, MEDICIÓN
23	12533942030	1	+SCREW, METERING LEVER PIN	+TORNILLO, PASADOR DE RETÉN
24	P005001900	4	+SCREW, PURGE BULB RETAINER	+TORNILLO, RETÉN DEL BULBO DE LA PURGA
25	P005000250	1	+RETAINER, PURGE BULB	+RETÉN, BULBO DE LA PURGA
26	12538108660	1	+BULB, PURGE	+BULBO, PURGA
27	P005000270	1	+SCREW, PURGE BASE	+TORNILLO, BASE, PURGA
28	P005001890	1	+BASE, PURGE	+BASE, PURGA
29	P005001270	1	+PLUG	+TAPÓN
30	P005002060	1	+NEEDLE - HIGH SPEED	+AGUJA - ALTA VELOCIDAD



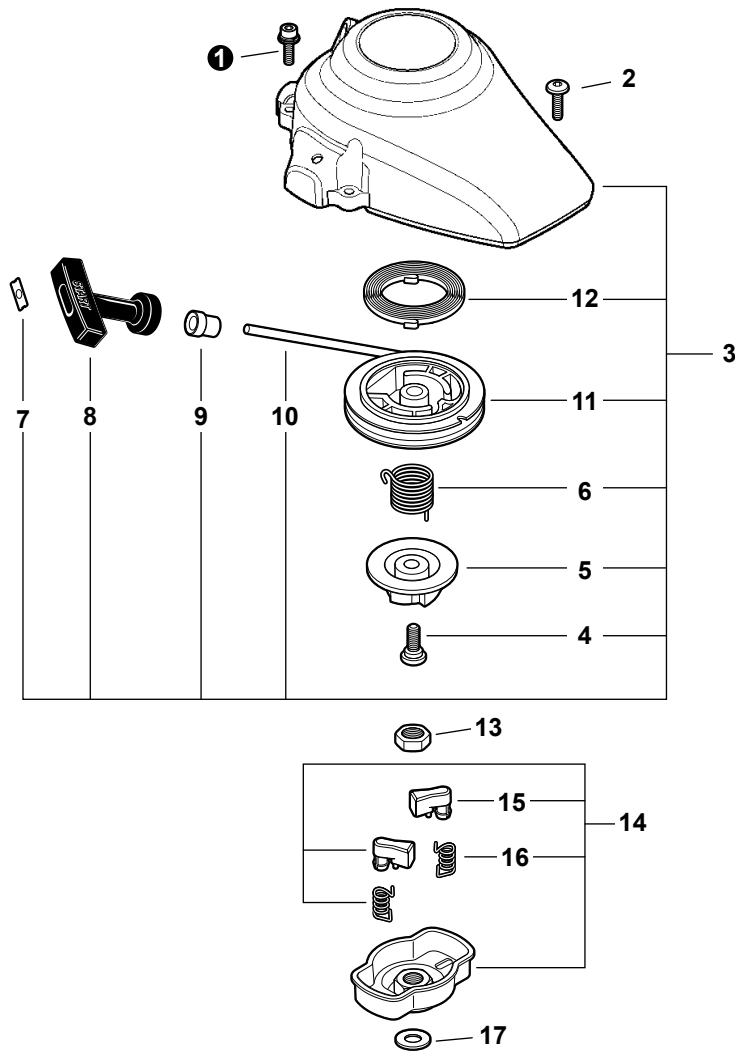
NO.	PART NUMBER	QTY.	DESCRIPTION	DESCRIPCIÓN
1	V299000250	1	THUMBSCREW	TORNILLO, DE OREJETAS
2	A232000400	1	COVER, AIR FILTER	CUBIERTA, FILTRO DE AIRE
3	A226001410	1	FILTER, AIR - DOUBLE LAYER	FILTRO DE AIRE - CAPA DOBLE
4	13031054130	1	FILTER, AIR - SINGLE LAYER	FILTRO DE AIRE - CAPA ÚNICA
5	90024205065	2	SCREW - 5×65	TORNILLO - 5×65
6	12901152730	1	PLATE, PREVENT	PLACA, PRE-RESPIRADERO
7	P021012870	1	CASE, AIR FILTER	CARCARA, FILTRO DE AIRE
8	V103000410	1	GASKET, INTAKE	JUNTA, ADMISIÓN
9	A200001020	1	INSULATOR, INTAKE	ADMISIÓN, ADMISIÓN
10	90016205025	2	SCREW - 5×25	TORNILLO - 5×25
11	V103000180	1	SHIELD, INTAKE	PROTECTOR, ADMISIÓN
12	P021013500	1	GASKET KIT	KIT DE JUNTAS
13	90008	1	RePower FILTER KIT	JUEGO DE FILTRO - REPOWER
13	90152	1	RePower TUNE-UP KIT	KIT DE PUESTA A PUNTO



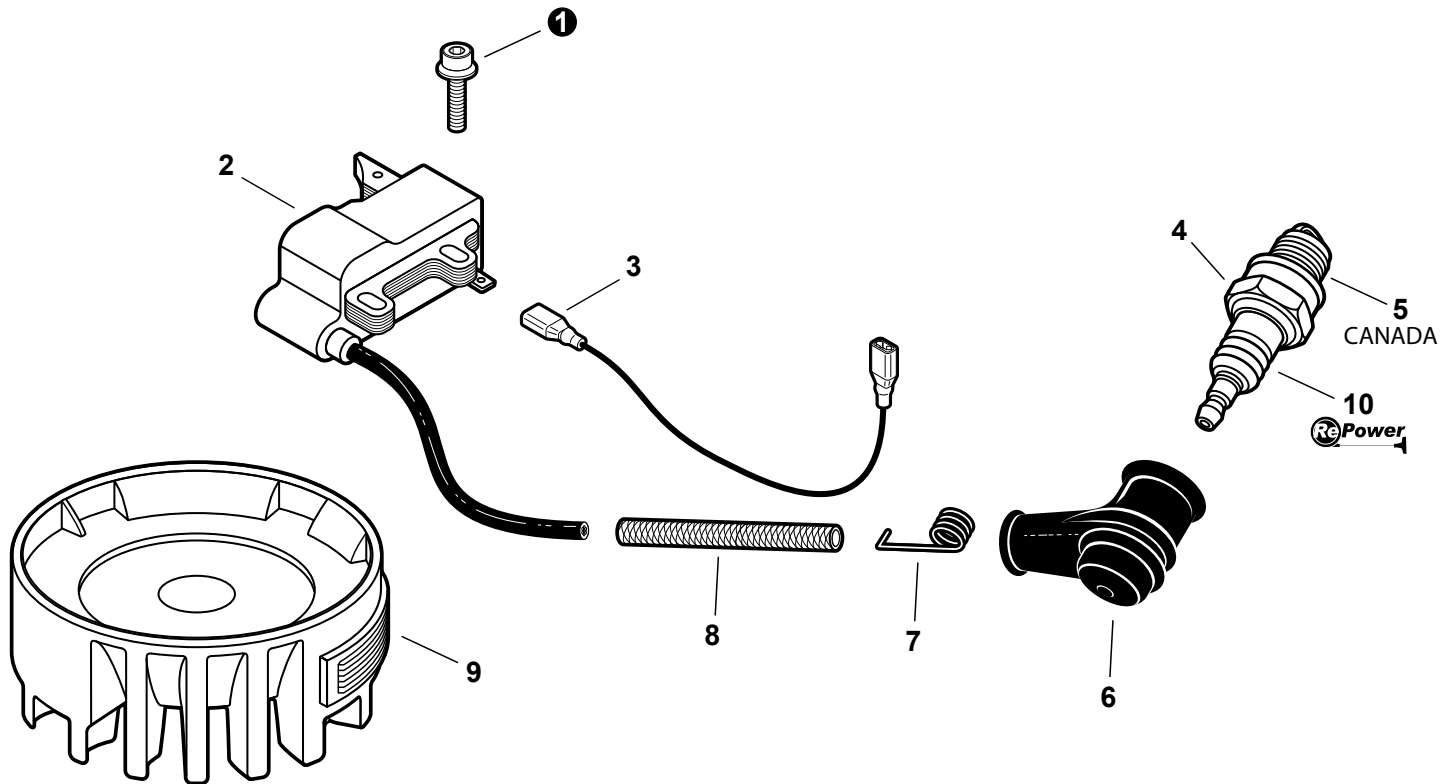
NO.	PART NUMBER	QTY.	DESCRIPTION	DESCRIPCIÓN
1	90010605016	2	SCREW - 5×16	TORNILLO - 5×16
2	A320000430	1	COVER, EXHAUST	CUBIERTA, ESCAPE
3	90010505055	2	SCREW - 5×55	TORNILLO - 5×55
4	V150000371	1	PLATE	PLACA
5	V104000850	1	SHIELD, EXHAUST	PROTECTOR, ESCAPE
6	A300000811	1	MUFFLER	SILENCIADOR
7	14586240630	1	SCREEN, SPARK ARRESTOR	PANTALLA, SUPRESOR DE CHISPAS
8	V104001760	1	GASKET, EXHAUST	JUNTA, ESCAPE
9	A313000600	1	GUIDE, EXHAUST	GUÍA, ESCAPE
10	9136704010	5	SCREW - 4×12	TORNILLO - 4×12
11	P021013500	1	GASKET KIT	KIT DE JUNTAS



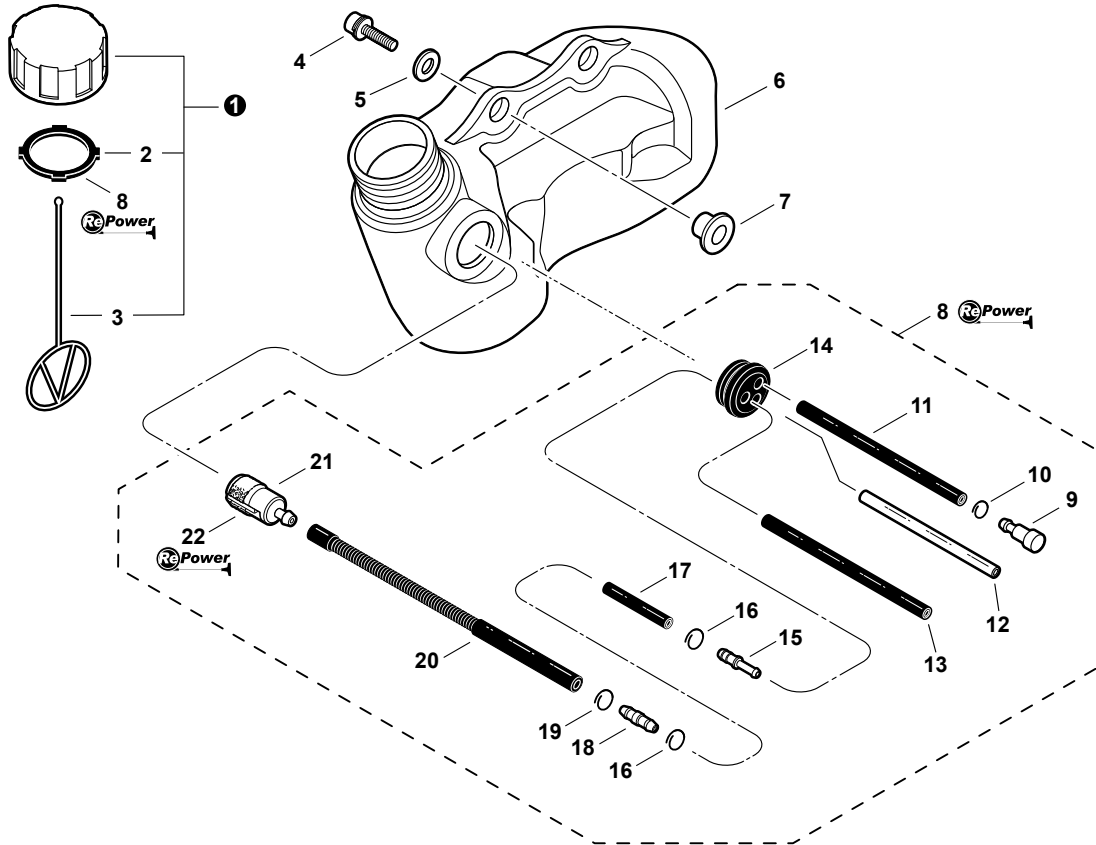
NO.	PART NUMBER	QTY.	DESCRIPTION	DESCRIPCIÓN
1	90010605016	1	SCREW - 5×16	TORNILLO - 5×16
2	A160000880	1	COVER, ENGINE	CUBIERTA, MOTOR
3	90016205016	1	SCREW - 5×16	TORNILLO - 5×16
4	C152000410	1	TERMINAL - GROUND	TERMINAL - DE TIERRA
5	A127000170	1	GUARD, DEBRIS	PROTECTOR, RESIDUOS



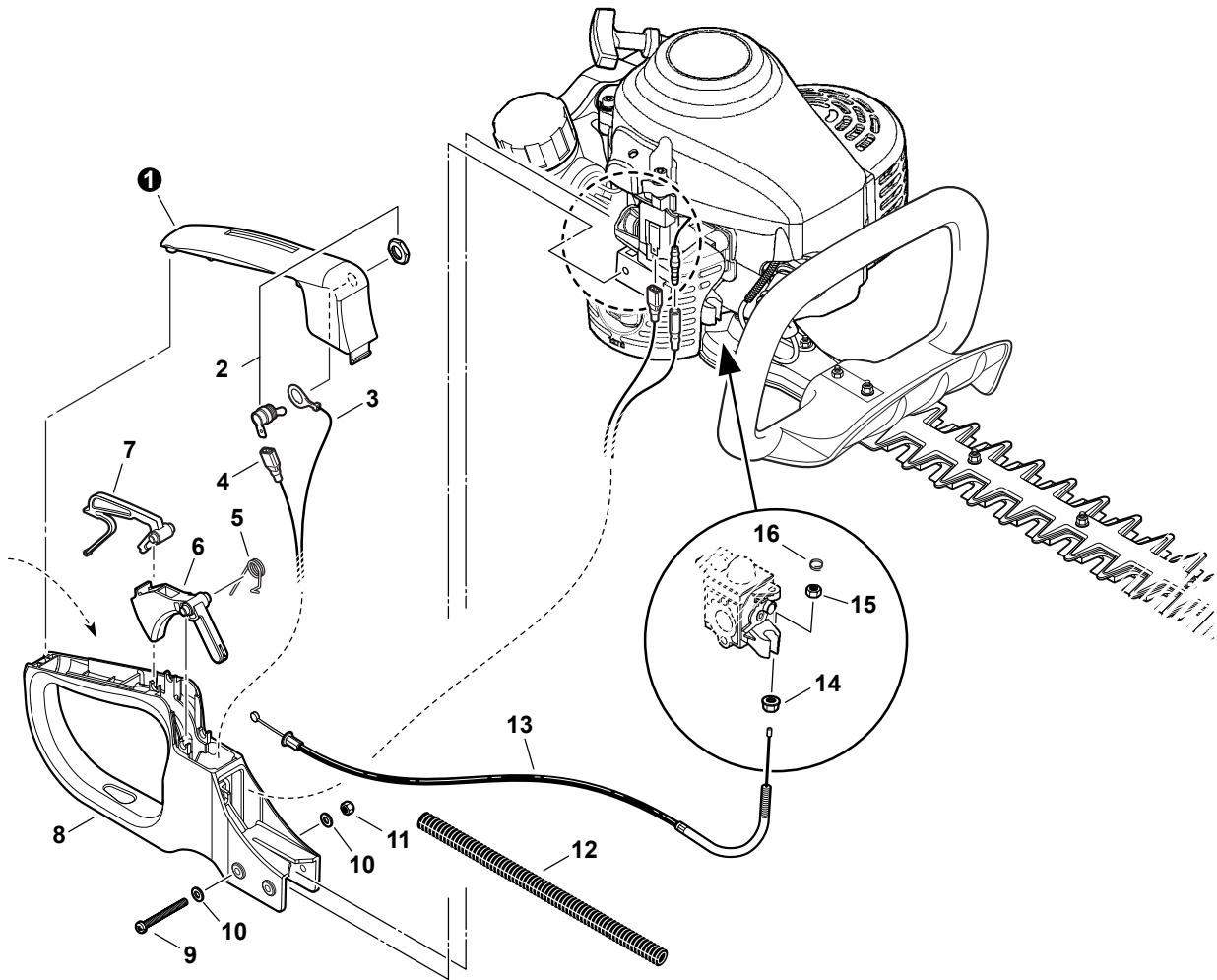
NO.	PART NUMBER	QTY.	DESCRIPTION	DESCRIPCIÓN
1	90016304016	4	SCREW - 4x16	TORNILLO - 4x16
2	V202000030	1	SCREW - 4	TORNILLO - 4
3	A051001111	1	STARTER ASSY	CONJUNTO DE ARRANCADOR
4	17723661830	1	+SCREW	+TORNILLO
5	A507000030	1	+CATCHER, PAWL	+ATRAPADOR, TRINQUETE
6	V452000150	1	+SPRING	+RESORTE
7	17724611120	1	+RETAINER, ROPE	+RETÉN, CUERDA
8	17722827030	1	+GRIP, STARTER	+AGARRE, ARRANCADOR
9	17722742030	1	+GUIDE, ROPE	+GUÍA, CUERDA
10	P022008260	1	+ROPE, STARTER - 3x700	+CUERDA, ARRANCADOR - 3x700
11	P022006830	1	+REEL, ROPE	+CARRETE, CUERDA
12	17722042030	1	+SPRING, REWIND	+RESORTE, REBOBINADO
13	90051200008	1	NUT - LEFT HAND	TUERCA - ROSCA IZQUIERDA
14	A052000210	1	STARTER PAWL ASSY	CONJUNTO DE TRINQUETE DEL ARRANCADOR
15	P022020030	2	+PAWL, STARTER	+TRINQUETE, ARRANCADOR
16	P022007980	2	+SPRING, RETURN	+RESORTE, RETORNO
17	90060000008	1	WASHER - 8	ARANDELA - 8



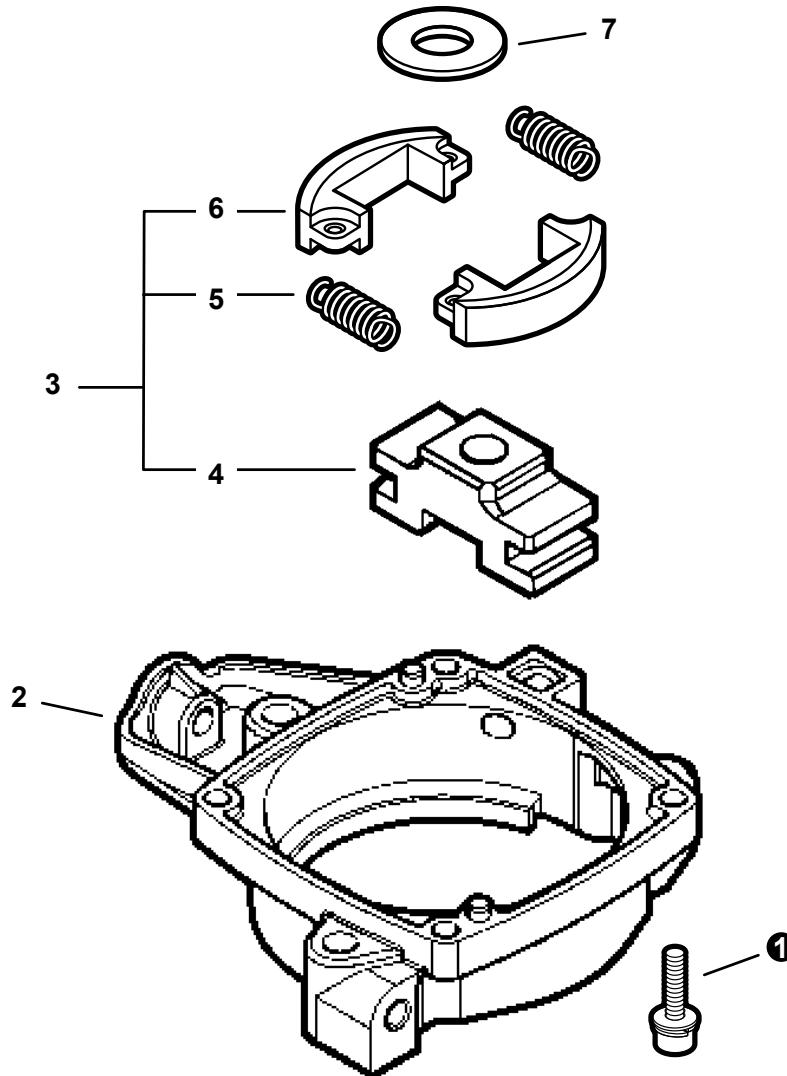
NO.	PART NUMBER	QTY.	DESCRIPTION	DESCRIPCIÓN
1	9111304020	2	SCREW - 4x20	TORNILLO - 4x20
2	A411000130	1	COIL, IGNITION	BOBINA, IGNICIÓN
3	V485000870	1	LEAD - IGNITION	CABLE - IGNICIÓN
4	15901019830	1	SPARK PLUG -- BPM8Y	BUJÍA -- BPM8Y
5	A425000000	1	SPARK PLUG -- BPMR8Y	BUJÍA -- BPMR8Y
6	A427000013	1	CAP, SPARK PLUG	TAPA, BUJÍA
7	A426000010	1	TERMINAL, SPARK PLUG CAP	TERMINAL, CAPUCHÓN DE BUJÍA
8	V475001610	1	TUBE, INSULATOR	TUBO, AISLANTE
9	A409000210	1	FLYWHEEL	VOLANTE
10	90152	1	RePower TUNE-UP KIT	KIT DE PUESTA A PUNTO



NO.	PART NUMBER	QTY.	DESCRIPTION	DESCRIPCIÓN
1	P021040430	1	CAP ASSY	CONJUNTO DE TAPA
2	V107000150	1	+GASKET, CAP	+JUNTA, TAPA
3	A365000060	1	+CONNECTOR, CAP	+CONECTOR, TAPA
4	90016205020	3	SCREW - 5×20	TORNILLO - 5×20
5	90060300005	3	WASHER - 5	ARANDELA - 5
6	A350000810	1	TANK, FUEL	TANQUE, COMBUSTIBLE
7	V353000231	3	COLLAR	ESPACIADOR
8	90136BP	1	RePower FUEL SYSTEM KIT	KIT DEL SISTEMA DE CARBURANTE
9	A356000031	1	+VENT, FUEL TANK	+RESPIRADERO, TANQUE DE COMBUSTIBLE
10	V490001240	1	+CLIP - 6	+GANCHO - 6
11	V471003680	1	+PIPE - 3×6×50 -- BLACK	+TUBO - 3×6×50 -- NEGRO
12	13201040830	1	+PIPE - 3×6×75 -- CLEAR	+TUBO - 3×6×75 -- TRANSPARENTE
13	V471003670	1	+PIPE, UPPER - 3×5×61 -- BLACK	+PIPE, UPPER - 3×5×61 -- BLACK
14	13211555930	1	+GROMMET	+ANILLO DE GOMA
15	V186000520	1	+CONNECTOR, FUEL PIPE	+CONECTOR, TUBO DE COMBUSTIBLE
16	V490001230	2	+CLIP - 6.5	+GANCHO - 6.5
17	V471001180	1	+PIPE - 3×6×35 -- BLACK	+TUBO - 3×6×35 -- NEGRO
18	V186000510	1	+CONNECTOR, PIPE	+CONECTOR, TUBO
19	43741119830	1	+CLIP - 6.6	+GANCHO - 6.6
20	13201212361	1	+PIPE, FUEL - CORRUGATED	+TUBO, COMBUSTIBLE - CORRUGADO
21	13120507320	1	+FILTER, FUEL	+FILTRO DE COMBUSTIBLE
22	90008	1	RePower FILTER KIT	JUEGO DE FILTRO - REPOWER
22	90152	1	RePower TUNE-UP KIT	KIT DE PUESTA A PUNTO



NO.	PART NUMBER	QTY.	DESCRIPTION	DESCRIPCIÓN
1	C411000030	1	COVER, HANDLE	CUBIERTA, MANGO
2	16340003460	1	IGNITION SWITCH ASSY	CONJUNTO DE INTERRUPTOR DEL ENCENDIDO
3	V485001110	1	LEAD - GROUND	CABLE - DE TIERRA
4	V485001030	1	LEAD - IGNITION	CABLE - IGNICIÓN
5	V452000390	1	SPRING, TRIGGER	RESORTE, GATILLO
6	C450000330	1	TRIGGER, THROTTLE	GATILLO, ACELERADOR
7	C460000120	1	LOCKOUT, THROTTLE	TRABADO, ACELERADOR
8	C410000920	1	HANDLE - REAR	MANGO - TRASERO
9	90022005045	2	SCREW - 5×45	TORNILLO - 5×45
10	90060000005	4	WASHER - 5	ARANDELA - 5
11	90056000005	2	LOCKNUT - 5	CONTRATUERCA - 5
12	V475004150	1	TUBE, PROTECTIVE - CORRUGATED	TUBO, PROTECTOR - CORRUGADA
13	V430002200	1	CABLE, THROTTLE	CABLE, ACELERADOR
14	90051800006	1	NUT - 6 -- FLANGE	TUERCA, DE BRIDA - 6
15	90050200006	1	NUT - 6	TUERCA - 6
16	V490001100	1	CLIP	GANCHO



NO.	PART NUMBER	QTY.	DESCRIPTION	DESCRIPCIÓN
1	90016304016	4	SCREW - 4x16	TORNILLO - 4x16
2	A570000160	1	CASE, CLUTCH	CARCASA, EMBRAGUE
3	A056000190	1	CLUTCH ASSY	CONJUNTO DE EMBRAGUE
4	A552000080	1	+HUB, CLUTCH	+CUBO, EMBRAGUE
5	A566000000	2	+SPRING, CLUTCH	+RESORTE, EMBRAGUE
6	17501744331	2	+SHOE, CLUTCH	+ZAPATA, EMBRAGUE
7	61035012360	1	WASHER - 8	ARANDELA - 8

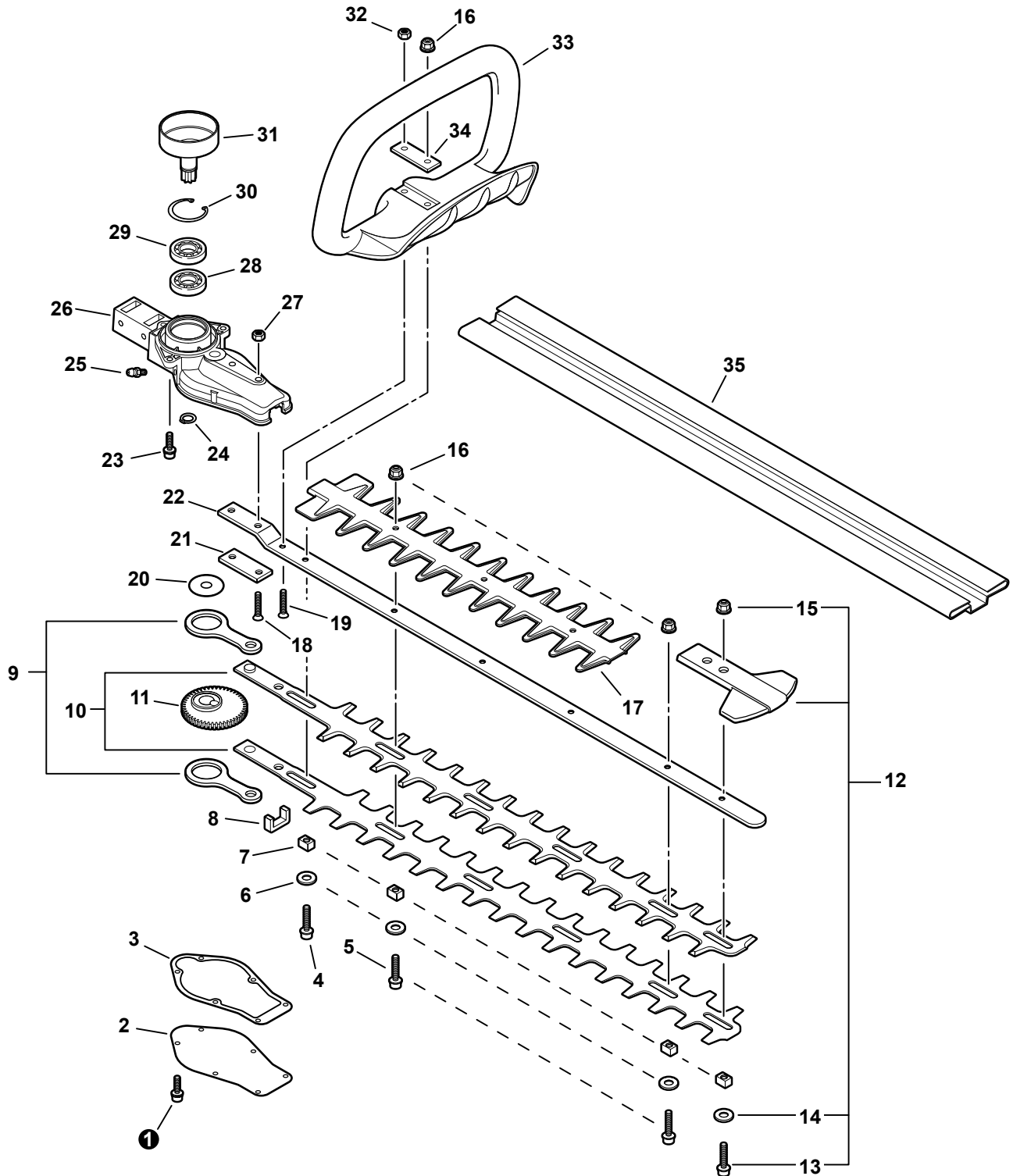
Handle, Gear Case - 20" WITH Tip Guard

Mango, Caja de Engranajes - 20" con protector de la punta



HC-155

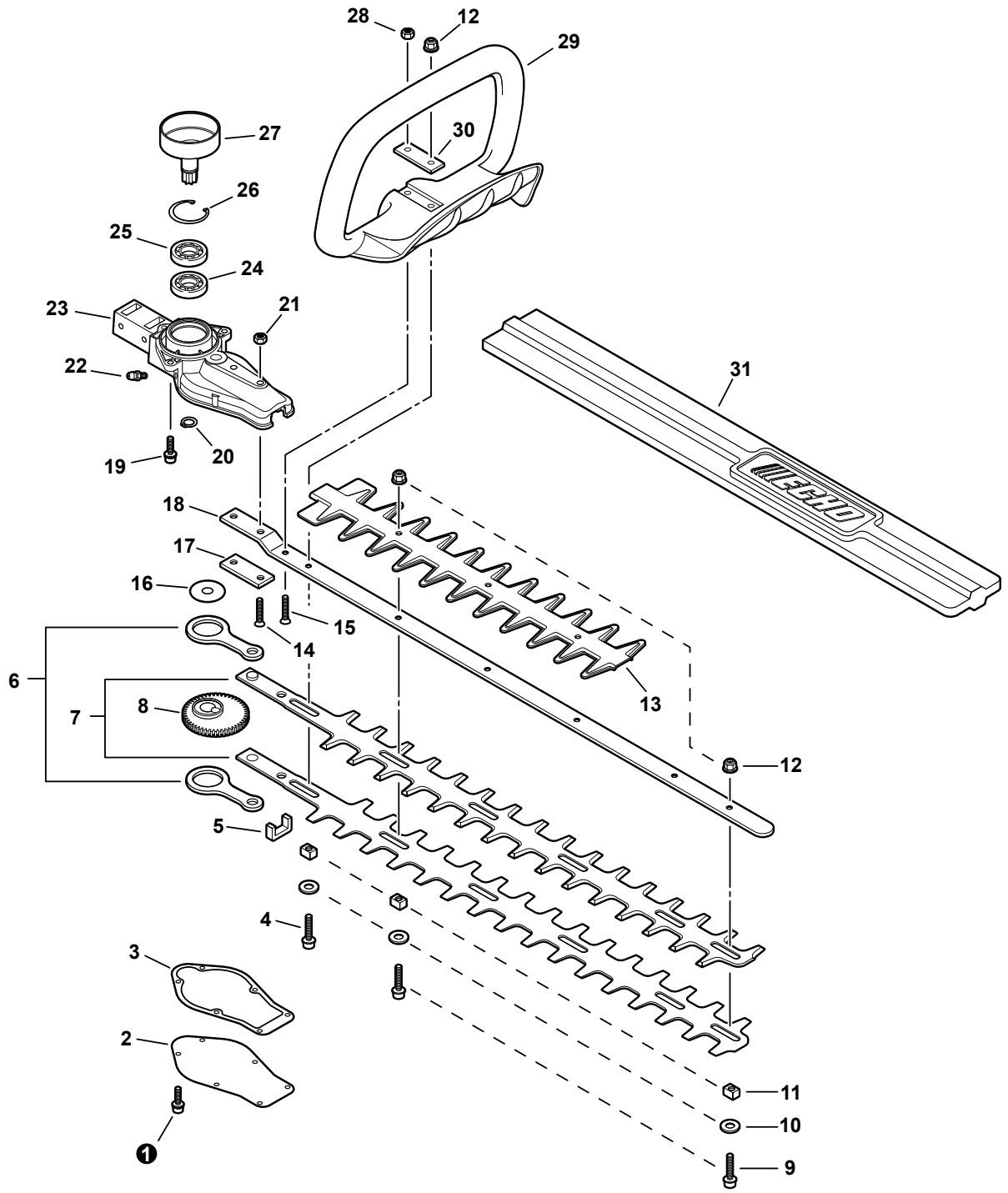
Hedge Clipper / Recortadora de cercos



**HC-155****Hedge Clipper / Recortadora de cercos****Handle, Gear Case - 20" WITH Tip Guard**

Mango, Caja de Engranajes - 20" con protector de la punta

NO.	PART NUMBER	QTY.	DESCRIPTION	DESCRIPCIÓN
1	90016204010	6	SCREW - 4x10	TORNILLO - 4x10
2	61041105361	1	LID, GEAR CASE	TAPA, CAJA DE ENGRANAJES
3	61041405360	1	GASKET, GEAR CASE	JUNTA, CAJA DE ENGRANAJES
4	90016205040	1	SCREW - 5x40	TORNILLO - 5x40
5	90010605020	4	SCREW - 5x20	TORNILLO - 5x20
6	17721421860	5	WASHER - 6	ARANDELA - 6
7	V353000250	6	GUIDE, BLADE	GUÍA, CUCHILLA
8	61042504560	1	SEAL, FELT	SELLO, DE FELPA
9	C532000121	2	ROD, CONNECTING	BIELA
10	X411000700	2	BLADE, TRIMMER - 20"	CUCHILLA, RECORTADORA - 20"
11	61031204560	1	GEAR - DRIVE	ENGRANAJE - DE MANDO
12	99988802000	1	TIP GUARD KIT	KIT DE PROTECTOR DE LA PUNTA
13	90010605020	1	+SCREW - 5x20	+TORNILLO - 5x20
14	17721421860	1	+WASHER - 6	+ARANDELA - 6
15	9210805000	1	+LOCKNUT - 5	+CONTRATUERCA - 5
16	9210805000	5	LOCKNUT - 5	CONTRATUERCA - 5
17	X431000050	1	PROTECTOR, BLADE	PROTECTOR, CUCHILLA
18	90021206025	2	SCREW - 6x25	TORNILLO - 6x25
19	90021205030	1	SCREW - 5x30	TORNILLO - 5x30
20	61035004560	1	WASHER	ARANDELA
21	61044004560	1	GUIDE	GUÍA
22	X425000470	1	SUPPORT, BLADE	SOPORTE, CUCHILLA
23	90016205020	3	SCREW - 5x20	TORNILLO - 5x20
24	90070100014	1	RING, RETAINING - 14	ANILLO, RETÉN - 14
25	88011010860	1	FITTING, GREASE	GRASERA
26	61040705361	1	CASE, GEAR	CARCASA, ENGRANAJES
27	90050000006	2	LOCKNUT - 6	CONTRATUERCA - 6
28	90081036202	1	BEARING, BALL - 6202	COJINETE DE BOLAS - 6202DDU
29	90081336202	1	BEARING, BALL - 6202	COJINETE DE BOLAS - 6202DDU
30	90070200035	1	RING, RETAINING - 35	ANILLO, RETÉN - 35
31	17500504560	1	DRUM, CLUTCH	TAMBOR, EMBRAGUE
32	90056000005	1	LOCKNUT - 5	CONTRATUERCA - 5
33	C400000532	2	HANDLE - FRONT	MANGO - DELANTERO
34	35161105360	1	PLATE	PLACA
35	X495000480	1	COVER, BLADE - 20" (50cm)	CUBIERTA, CUCHILLA - 20"



**HC-155****Hedge Clipper / Recortadora de cercos****Handle, Gear Case - 20" WITHOUT Tip Guard**
Mango, Caja de Engranajes - 20" sin protector de la punta

NO.	PART NUMBER	QTY.	DESCRIPTION	DESCRIPCIÓN
1	90016204010	6	SCREW - 4x10	TORNILLO - 4x10
2	61041105361	1	LID, GEAR CASE	TAPA, CAJA DE ENGRANAJES
3	61041405360	1	GASKET, GEAR CASE	JUNTA, CAJA DE ENGRANAJES
4	90016205040	1	SCREW - 5x40	TORNILLO - 5x40
5	61042504560	1	SEAL, FELT	SELLO, DE FELPA
6	C532000121	2	ROD, CONNECTING	BIELA
7	X411000700	2	BLADE, TRIMMER - 20"	CUCHILLA, RECORTADORA - 20"
8	61031204560	1	GEAR - DRIVE	ENGRANAJE - DE MANDO
9	90010605020	5	SCREW - 5x20	TORNILLO - 5x20
10	17721421860	6	WASHER - 6	ARANDELA - 6
11	V353000250	6	GUIDE, BLADE	GUÍA, CUCHILLA
12	9210805000	6	LOCKNUT - 5	CONTRATUERCA - 5
13	X431000050	1	PROTECTOR, BLADE	PROTECTOR, CUCHILLA
14	90021206025	2	SCREW - 6x25	TORNILLO - 6x25
15	90021205030	1	SCREW - 5x30	TORNILLO - 5x30
16	61035004560	1	WASHER	ARANDELA
17	61044004560	1	GUIDE	GUÍA
18	X425000470	1	SUPPORT, BLADE	SOPORTE, CUCHILLA
19	90016205020	3	SCREW - 5x20	TORNILLO - 5x20
20	90070100014	1	RING, RETAINING - 14	ANILLO, RETÉN - 14
21	90050000006	2	LOCKNUT - 6	CONTRATUERCA - 6
22	88011010860	1	FITTING, GREASE	GRASERA
23	61040705361	1	CASE, GEAR	CARCASA, ENGRANAJES
24	90081036202	1	BEARING, BALL - 6202	COJINETE DE BOLAS - 6202DDU
25	90081336202	1	BEARING, BALL - 6202	COJINETE DE BOLAS - 6202DDU
26	90070200035	1	RING, RETAINING - 35	ANILLO, RETÉN - 35
27	17500504560	1	DRUM, CLUTCH	TAMBOR, EMBRAGUE
28	90056000005	1	LOCKNUT - 5	CONTRATUERCA - 5
29	C400000532	2	HANDLE - FRONT	MANGO - DELANTERO
30	35161105360	1	PLATE	PLACA
31	X495000210	1	COVER, BLADE - 20" (50cm)	CUBIERTA, CUCHILLA - 20"

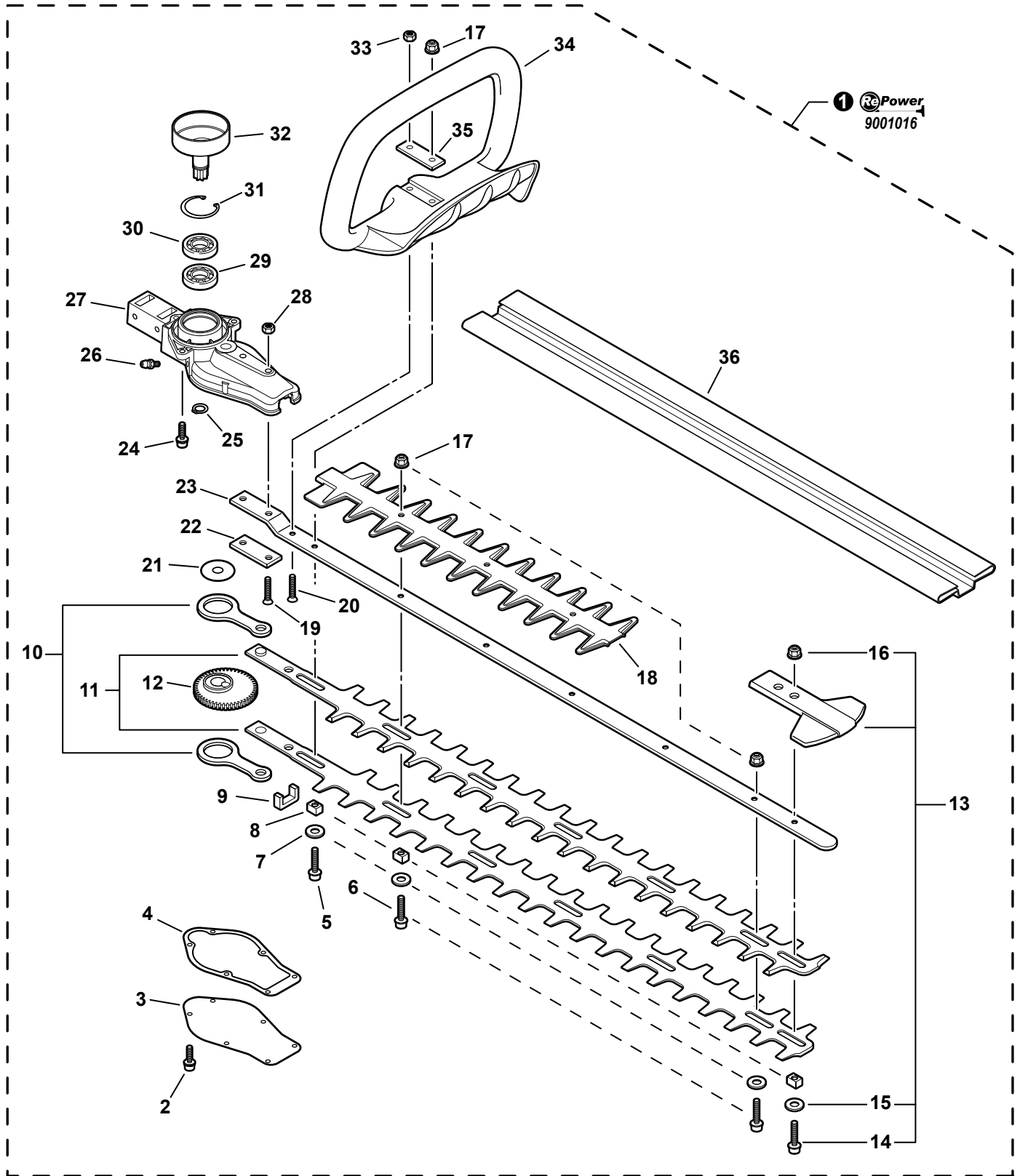
Handle, Gear Case - 24" WITH Tip Guard

Mango, Caja de Engranajes - 24" con protector de la punta



HC-155

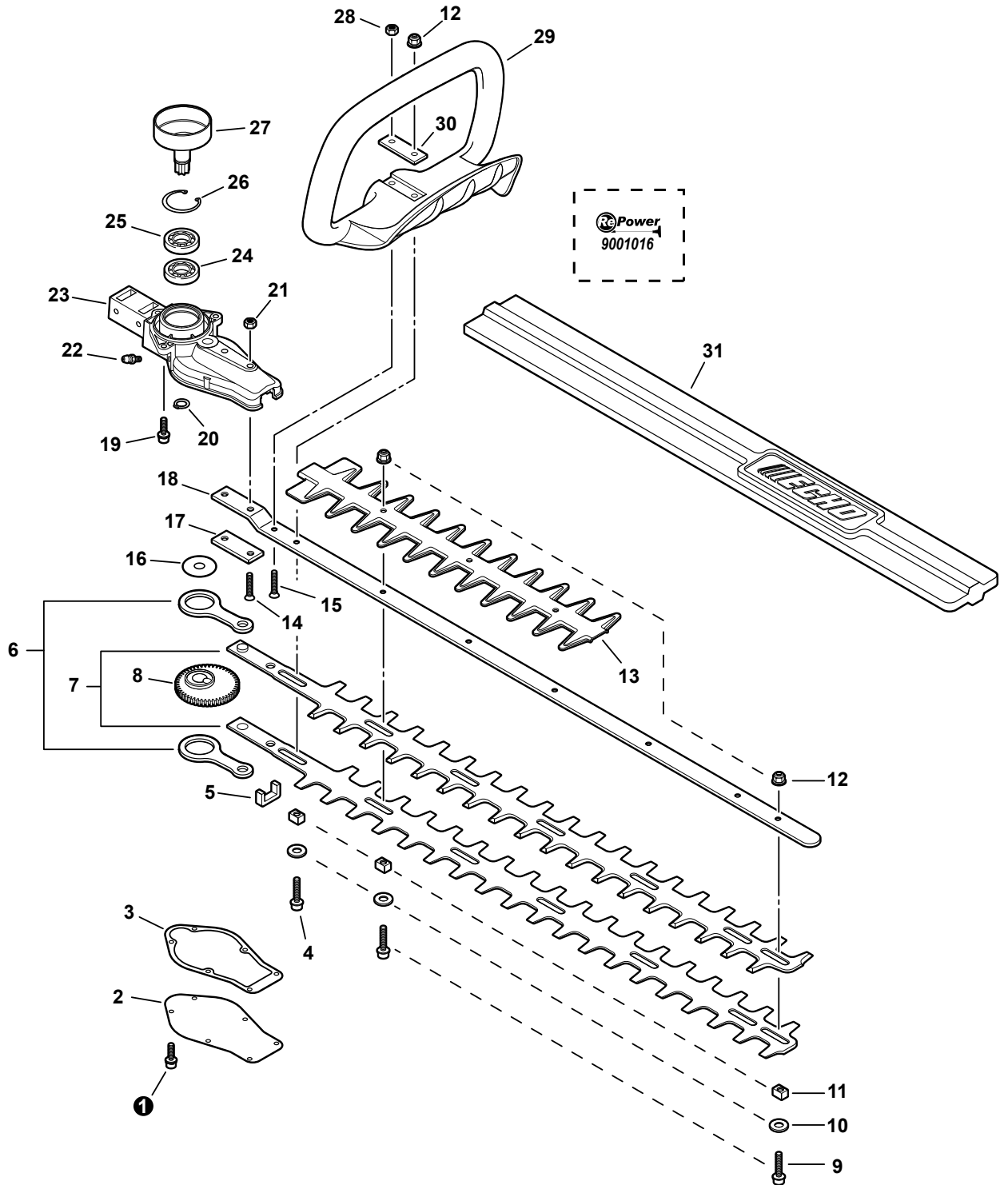
Hedge Clipper / Recortadora de cercos



**HC-155****Hedge Clipper / Recortadora de cercos****Handle, Gear Case - 24" WITH Tip Guard**

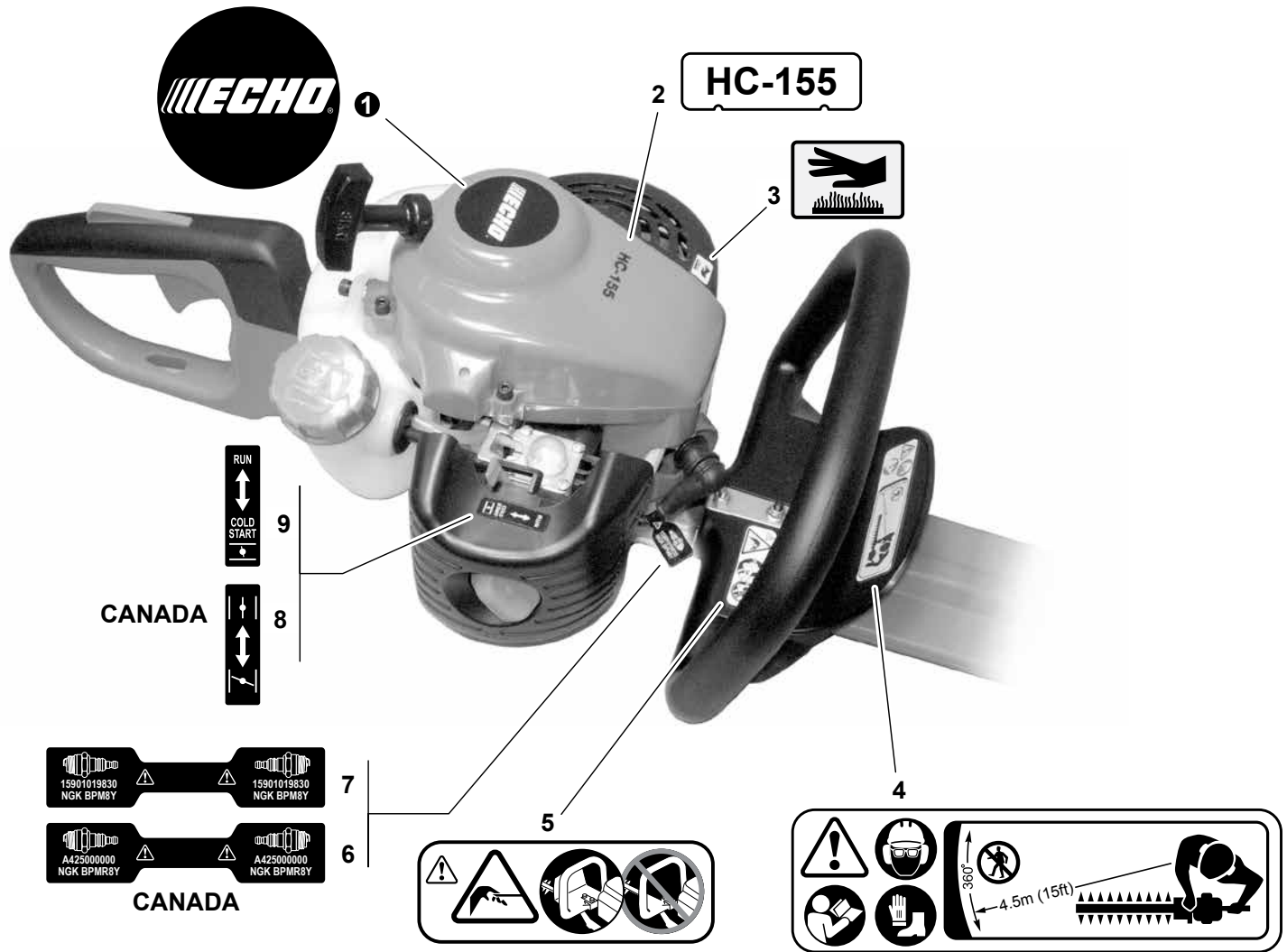
Mango, Caja de Engranajes - 24" con protector de la punta

NO.	PART NUMBER	QTY.	DESCRIPTION	DESCRIPCIÓN
1	9001016	1	RePower GEAR CASE/BLADES KIT	CONJUNTO DE CAJA DE ENGRANAJES/ CUCHILLAS
2	90016204010	6	+SCREW - 4x10	+TORNILLO - 4x10
3	61041105361	1	+LID, GEAR CASE	+TAPA, CAJA DE ENGRANAJES
4	61041405360	1	+GASKET, GEAR CASE	+JUNTA, CAJA DE ENGRANAJES
5	90016205040	1	+SCREW - 5x40	+TORNILLO - 5x40
6	90010605020	5	+SCREW - 5x20	+TORNILLO - 5x20
7	V353000250	7	+GUIDE, BLADE	+GUÍA, CUCHILLA
8	17721421860	6	+WASHER - 6	+ARANDELA - 6
9	61042504560	1	+SEAL, FELT	+SELLO, DE FELPA
10	C532000121	2	+ROD, CONNECTING	+BIELA
11	X411000760	2	+BLADE, TRIMMER - 24"	+CUCHILLA, RECORTADORA - 24"
12	61031204560	1	+GEAR - DRIVE	+ENGRANAJE - DE MANDO
13	99988802000	1	+TIP GUARD KIT	+KIT DE PROTECTOR DE LA PUNTA
14	90010605020	1	++SCREW - 5x20	++TORNILLO - 5x20
15	17721421860	1	++WASHER - 6	++ARANDELA - 6
16	9210805000	1	++LOCKNUT - 5	++CONTRATUERCA - 5
17	9210805000	6	+LOCKNUT - 5	+CONTRATUERCA - 5
18	X431000050	1	+PROTECTOR, BLADE	+PROTECTOR, CUCHILLA
19	90021206025	2	+SCREW - 6x25	+TORNILLO - 6x25
20	90021205030	1	+SCREW - 5X30	+TORNILLO - 5X30
21	61035004560	1	+WASHER	+ARANDELA
22	61044004560	1	+GUIDE	+GUÍA
23	X425000490	1	+SUPPORT, BLADE	+SOPORTE, CUCHILLA
24	90016205020	3	+SCREW - 5x20	+TORNILLO - 5x20
25	90070100014	1	+RING, RETAINING - 14	+ANILLO, RETÉN - 14
26	88011010860	1	+FITTING, GREASE	+GRASERA
27	61040705361	1	+CASE, GEAR	+CARCASA, ENGRANAJES
28	90050000006	2	+LOCKNUT - 6	+CONTRATUERCA - 6
29	90081036202	1	+BEARING, BALL - 6202	+COJINETE DE BOLAS - 6202DDU
30	90081336202	1	+BEARING, BALL - 6202	+COJINETE DE BOLAS - 6202DDU
31	90070200035	1	+RING, RETAINING - 35	+ANILLO, RETÉN - 35
32	17500504560	1	+DRUM, CLUTCH	+TAMBOR, EMBRAGUE
33	90056000005	1	+LOCKNUT - 5	+CONTRATUERCA - 5
34	C400000532	2	+HANDLE - FRONT	+MANGO - DELANTERO
35	35161105360	1	+PLATE	+PLACA
36	X495000490	1	+COVER, BLADE - 24" (60cm)	+CUBIERTA, CUCHILLA - 24" (60cm)



**HC-155****Hedge Clipper / Recortadora de cercos****Handle, Gear Case - 24" WITHOUT Tip Guard**
Mango, Caja de Engranajes - 24" sin protector de la punta

NO.	PART NUMBER	QTY.	DESCRIPTION	DESCRIPCIÓN
1	90016204010	6	SCREW - 4x10	TORNILLO - 4x10
2	61041105361	1	LID, GEAR CASE	TAPA, CAJA DE ENGRANAJES
3	61041405360	1	GASKET, GEAR CASE	JUNTA, CAJA DE ENGRANAJES
4	90016205040	1	SCREW - 5x40	TORNILLO - 5x40
5	61042504560	1	SEAL, FELT	SELLO, DE FELPA
6	C532000121	2	ROD, CONNECTING	BIELA
7	X411000760	2	BLADE, TRIMMER - 24"	CUCHILLA, RECORTADORA - 24"
8	61031204560	1	GEAR - DRIVE	ENGRANAJE - DE MANDO
9	90010605020	6	SCREW - 5x20	TORNILLO - 5x20
10	17721421860	7	WASHER - 6	ARANDELA - 6
11	V353000250	7	GUIDE, BLADE	GUÍA, CUCHILLA
12	9210805000	7	LOCKNUT - 5	CONTRATUERCA - 5
13	X431000050	1	PROTECTOR, BLADE	PROTECTOR, CUCHILLA
14	90021206025	2	SCREW - 6x25	TORNILLO - 6x25
15	90021205030	1	SCREW - 5x30	TORNILLO - 5x30
16	61035004560	1	WASHER	ARANDELA
17	61044004560	1	GUIDE	GUÍA
18	X425000490	1	SUPPORT, BLADE	SOPORTE, CUCHILLA
19	90016205020	3	SCREW - 5x20	TORNILLO - 5x20
20	90070100014	1	RING, RETAINING - 14	ANILLO, RETÉN - 14
21	90050000006	2	LOCKNUT - 6	CONTRATUERCA - 6
22	88011010860	1	FITTING, GREASE	GRASERA
23	61040705361	1	CASE, GEAR	CARCASA, ENGRANAJES
24	90081036202	1	BEARING, BALL - 6202	COJINETE DE BOLAS - 6202DDU
25	90081336202	1	BEARING, BALL - 6202	COJINETE DE BOLAS - 6202DDU
26	90070200035	1	RING, RETAINING - 35	ANILLO, RETÉN - 35
27	17500504560	1	DRUM, CLUTCH	TAMBOR, EMBRAGUE
28	90056000005	1	LOCKNUT - 5	CONTRATUERCA - 5
29	C400000532	2	HANDLE - FRONT	MANGO - DELANTERO
30	35161105360	1	PLATE	PLACA
31	X495000180	1	COVER, BLADE - 24" (60cm)	CUBIERTA, CUCHILLA - 24" (60cm)
32	9001016	1	RePower GEAR CASE/BLADES KIT	CONJUNTO DE CAJA DE ENGRANAJES/CUCHILLAS



NO.	PART NUMBER	QTY.	DESCRIPTION	DESCRIPCIÓN
1	X502000330	1	LABEL - ECHO	ETIQUETA - ECHO
2	X503009220	1	LABEL - MODEL -- HC-155	ETIQUETA - MODELO -- HC-155
3	X505002310	1	LABEL - HOT SURFACE	ETIQUETA - SUPERFICIE CALIENTE
4	X505002610	1	LABEL - CAUTION	ETIQUETA - PRECAUCIÓN
5	X505000290	1	LABEL - CAUTION	ETIQUETA - PRECAUCIÓN
6	X532000720	1	LABEL - SPARK PLUG -- BPM8Y	ETIQUETA - BUJÍA -- BPM8Y
7	X532000671	1	LABEL - SPARK PLUG -- BPM8Y	ETIQUETA - BUJÍA -- BPM8Y
8	89033252730	1	LABEL - CHOKE	ETIQUETA - AHOGADOR
9	X506000110	1	LABEL - CHOKE	ETIQUETA - AHOGADOR



NO.	PART NUMBER	QTY.	DESCRIPTION	DESCRIPCIÓN
	90008	1	RePower FILTER KIT	JUEGO DE FILTRO - REPOWER
	A226001410	1	+FILTER, AIR - DOUBLE LAYER	+FILTRO DE AIRE - CAPA DOBLE
	13120507320	1	+FILTER, FUEL	+FILTRO DE COMBUSTIBLE
	90010	1	Repower CAP AND VENT KIT	+KIT DE TAPA Y RESPIRADERO
	-----	1	+CAP	+TAPA
	13101655830	1	+GASKET, CAP	+JUNTA, TAPA
	A356000031	1	+VENT, FUEL TANK	+RESPIRADERO, TANQUE DE COMBUSTIBLE
	90152	1	RePower TUNE-UP KIT	KIT DE PUESTA A PUNTO
	A226001410	1	+FILTER, AIR	+FILTRO DE AIRE
	13120507320	1	+FILTER, FUEL	+FILTRO DE COMBUSTIBLE
	A425000000	1	+SPARK PLUG -- BPMR8Y	+BUJÍA -- BPMR8Y
	P021013500	1	GASKET KIT	KIT DE JUNTAS
	V104000360	1	+GASKET, EXHAUST	+JUNTA, ESCAPE
	V100000160	1	+GASKET, CYLINDER	+JUNTA, CILINDRO
	V104000850	1	+SHIELD, EXHAUST	+ PROTECTOR, ESCAPE
	V103000410	1	+GASKET, INTAKE	+JUNTA, ADMISIÓN
	V103000180	1	+SHIELD, INTAKE	+ PROTECTOR, ADMISIÓN