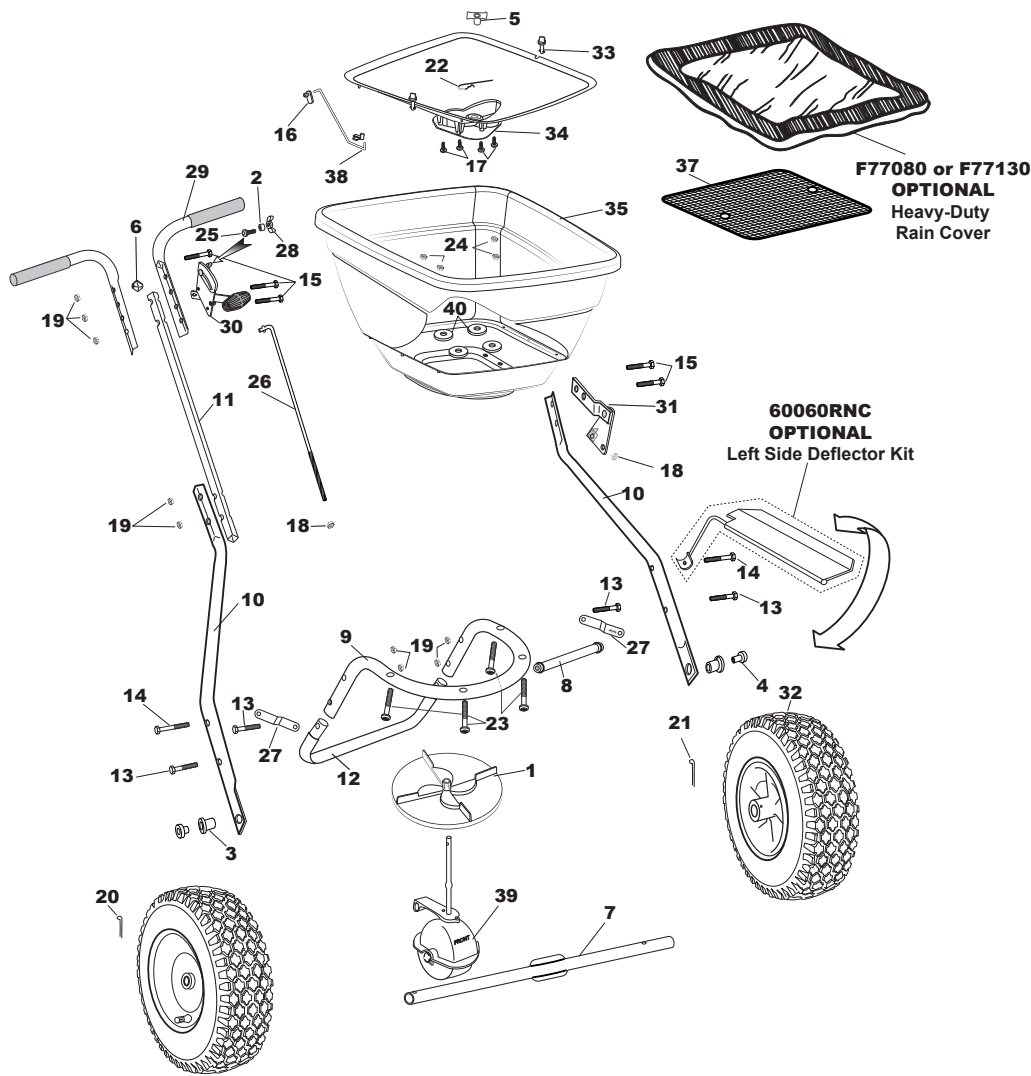


F80 & F130 COMMERCIAL BROADCAST SPREADER

Key #	Part #	Description	Key #	Part #	Description
1	12110	IMPELLER 9" ROUND DISHED	23	36214	1/4-20 X 1 1/2" PHPMS S.S.
2	12147	SPACER (PIVOT LINK)	24	36300	1/4-20 NYLON INSERT LOCKNUT S.S.
3	12148	AXLE BEARING	25	37100	1/4-20 X 1" CARRIAGE BOLT ZINC
4	12152	AXLE BUSHING	26	42256	CONTROL ROD
5	12209	HOPPER BUSHING	27	44249	FRAME BRACE
6	12344	HANDLE SPACER	28	60027	WING NUT ASSEMBLY BLACK
7	24500	AXLE	29	60175	UPPER HANDLE SQUARE W/GRIP ea
8	25228	CROSS BRACE 11.25"	30	60298	GAUGE & LEVER ASSEMBLY
9	25108	FRAME	31	60300	PIVOT & BRACKET ASSEMBLY
10	25222	LOWER HANDLE	32	70138	PNEUMATIC DRIVE WHEEL STUD
11	25223	HANDLE SHAFT	33	F12135	1/4 TURN FASTENER FLEX SELECT
12	25723	FRAME Foot	34	F12219	STANDARD OUTPUT FLEX-SELECT SHUTOFF
13	31100	1/4-20 X 1 1/2 HHMS ZINC	35	F13105 FLEX-SELECT 80# HOPPER / F13106 FLEX-SELECT 130# HOPPER	
14	31106	1/4-20 X 2 1/4" HHCS ZINC	36	F13130	STANDARD OUTPUT FLEX-SELECT TRAY KIT
15	31120	1/4-20 X 2" HHCS ZINC	37	F40003	SQUARE SCREEN FLEX-SELECT-included with Standard Trays only
16	31127	ROD CLIP (Flex-Select)	38	F44251	PIVOT ROD STD OUTPUT FLEX-SELECT
17	31138	#8 X 3/8" PMT #8 HD COARSE BLACK	39	F60333	GEAR BOX ASSEMBLY FLEX -SELECT
18	32100	1/4-20 HEX NUT ZINC	40	43020	BACKPLATE WASHER (FOR F130)
19	32103	1/4-20 NYLON INS LOCKNUT ZINC	Optional	60060RNC	SIDE DEFLECTOR
20	33108	3/16" X 1" COTTER PIN ZINC	Optional		HEAVY DUTY RAIN COVER (F77080 for F80 / F77130 FOR F130)
21	33109	3/16" X 2" COTTER PIN ZINC	Optional	12195	GAUGE OVERLAY- LESCO SETTINGS
22	33117	AGITATOR	Standard	12196	GAUGE OVERLAY- EARTHWAY



F80S & F130S COMMERCIAL BROADCAST SPREADER

Key #	Part #	Description	Key #	Part #	Description
1	12110	IMPELLER 9" ROUND DISHED	23	36214	1/4-20 X 1 1/2" PHPMS S.S.
2	12147	SPACER (PIVOT LINK)	24	36300	1/4-20 NYLON INSERT LOCKNUT S.S.
3	12148	AXLE BEARING	25	37100	1/4-20 X 1" CARRIAGE BOLT ZINC
4	12152	AXLE BUSHING	26	42256	CONTROL ROD
5	12209	HOPPER BUSHING	27	44249	FRAME BRACE
6	12344	HANDLE SPACER	28	60027	WING NUT ASSEMBLY BLACK
7	24500	AXLE	29	60175-SS	UPPER HANDLE SQUARE STAINLESS W/GRIP ea
8	25228	CROSS BRACE 11.25"	30	60298	GAUGE & LEVER ASSEMBLY
9	24111	FRAME	31	60300	PIVOT & BRACKET ASSEMBLY
10	25222-SS	LOWER HANDLE	32	70138	PNEUMATIC DRIVE WHEEL STUD
11	25223-SS	HANDLE SHAFT	33	F12135	1/4 TURN FASTENER FLEX SELECT
12	25723-SS	FRAME FOOT SS	34	F12219	STANDARD OUTPUT FLEX-SELECT SHUTOFF
13	36200	1/4-20 X 1 1/2" HHCS S.S.	35	F13105	FLEX-SELECT 80# HOPPER / F13106 FLEX-SELECT 130# HOPPER
14	36205	1/4-20 X 2 1/4" HHCS S.S.	36	F13130	STANDARD OUTPUT FLEX-SELECT TRAY KIT
15	36216	1/4-20 X 2" HHCS S.S.	37	F40003	SQUARE SCREEN FLEX-SELECT-included with Standard Trays only
16	31127	ROD CLIP (Flex-Select)	38	F44251	PIVOT ROD STD OUTPUT FLEX-SELECT
17	31138	#8 X 3/8" PMT #8 HD COARSE BLACK	39	F60333	GEAR BOX ASSEMBLY FLEX -SELECT
18	32100	1/4-20 HEX NUT ZINC	40	43020	BACKPLATE WASHER (FOR F130)
19	36300	1/4-20 NYLON INS LOCKNUT S.S	Optional	60060RNC	SIDE DEFLECTOR
20	36103	3/16 X 2" COTTER PIN S.S.	Optional		HEAVY DUTY RAIN COVER (F77080 for F80 / F77130 FOR F130)
21	36104	3/16 X 1" COTTER PIN S.S.	Optional	12195	GAUGE OVERLAY- LESCO SETTINGS
22	33117	AGITATOR	Standard	12196	GAUGE OVERLAY- EARTHWAY