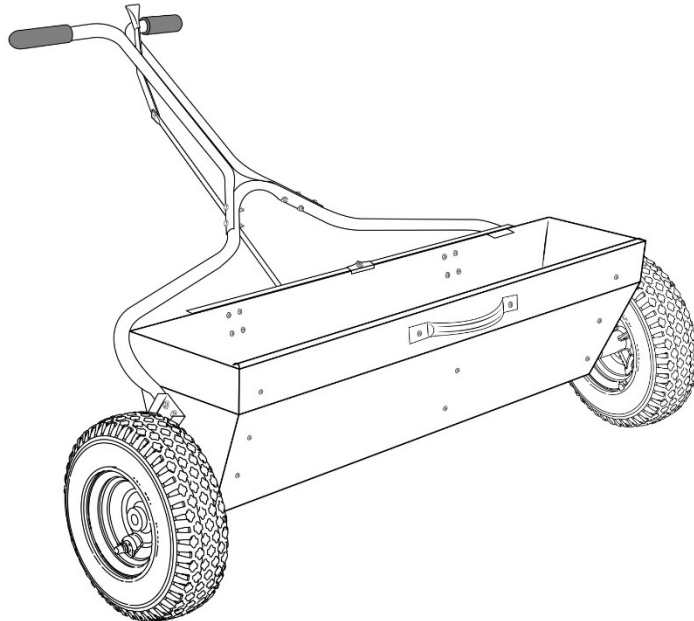


## IN THE BOX



### THANK YOU

You have purchased the highest quality professional broadcast spreader available on the market today. The SSD is the accumulation of proven performance and will provide you with years of trouble-free service. In the event you should have any questions or comments, please call our professional support staff.

### BEFORE YOU BEGIN

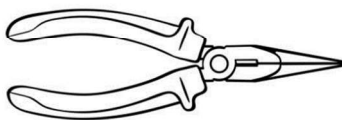
To assemble your new spreader, we highly recommend that you read all the instructions thoroughly, familiarize yourself with the assembly and components, and verify that all parts are included in the package.

Prior to assembly, you will need the following tools:

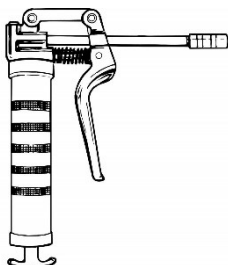
7/16" Wrench or adjustable wrench



Needle nose pliers



Grease gun



- (1) Upper handle and control assembly
- (1) Hopper assembly
- (2) Tires
- (1) Hopper handle
- (2) Hardware Pack
- (1) Rain cover

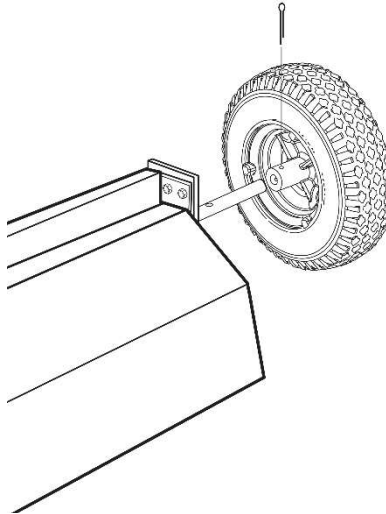
• **The hardware pack (P142424) includes the following:**

- (2) 3/16-1/4" x 1" Cotter pin-bow tie SS
- (2) 3/16" x 2" Cotter pin
- (4) ¼-20 x 1-1/2" HHCS SS
- (4) ¼-20 nylon locknut SS
- (1) Gauge calibration

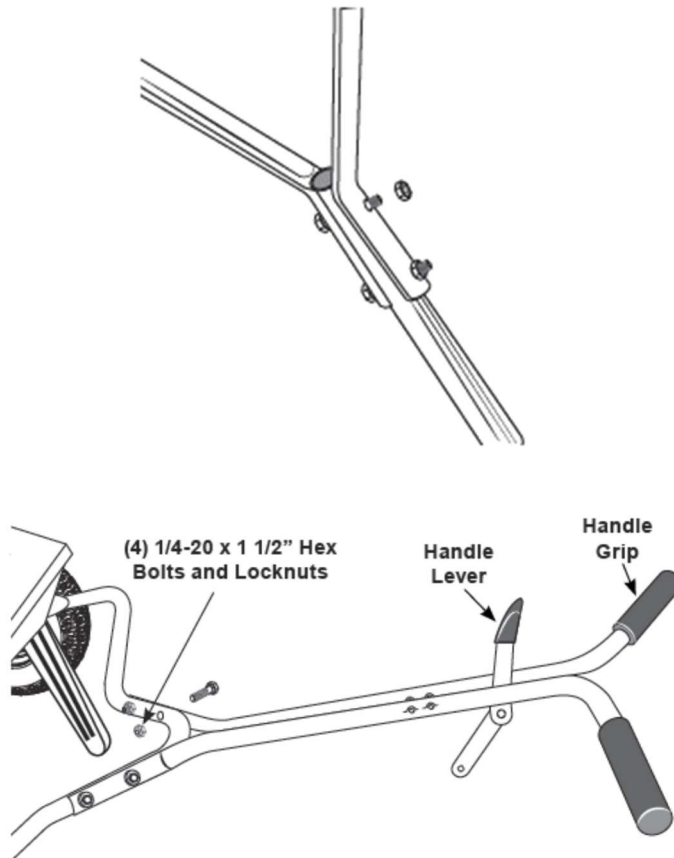
### Assembly Steps

**Step 1:** Remove the spreader and components from the carton.

**Step 2:** Slide Wheels onto each end of the Axle with the longer portion of the Wheel hub facing the Hopper. Secure Wheels with 3/16 dia. x 2" Cotter Pins.

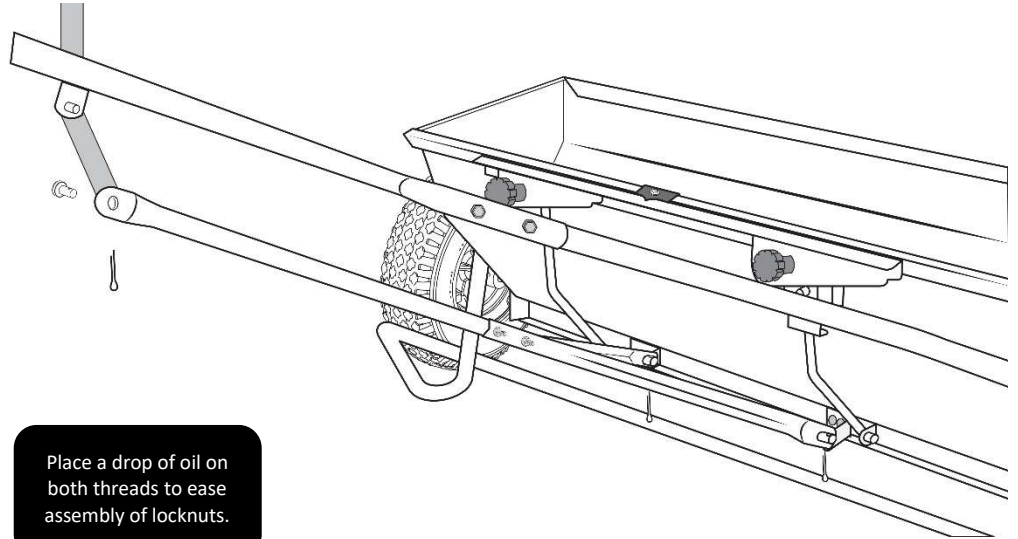


**Step 3:** Stand spreader upright on Wheels. Attach Upper Handle assembly to Handle Brace (make sure Handle is positioned as shown) using (4) 1/4-20 X 1 1/2" Hex Bolts, and (4) Locknuts. Tighten securely.



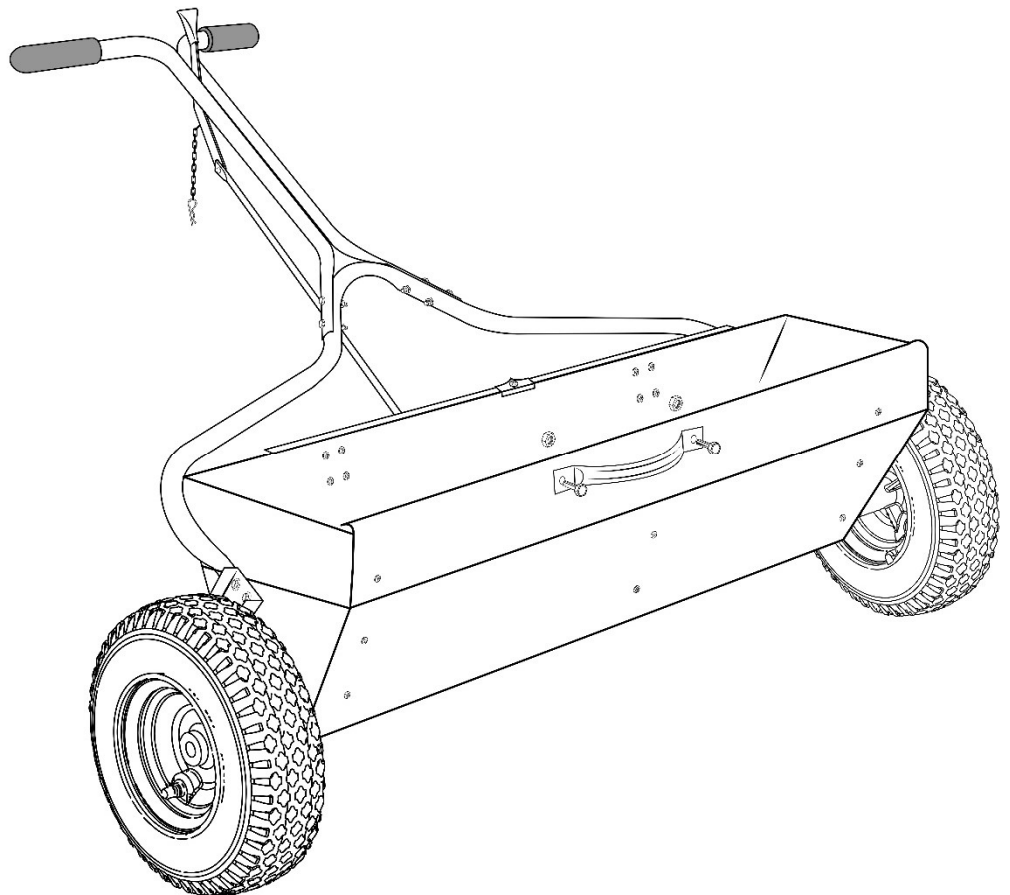
## Assembly and Operation Instructions

**Step 4:** Slide the ends of the Control Tube Braces over the Studs on the Shutoff Bar Brackets, secure with Cotter Pins. Install Hopper Handle on front of spreader using (2) 1/4-20 x 1/2" Hex Bolts and Locknuts.



Place a drop of oil on both threads to ease assembly of locknuts.

**Step 5:** To check spreader for completed shutoff, pull the Handle Lever back to the "OFF" position. Turn spreader over to see if the Shutoff Bar completely covers the holes in the bottom of the Hopper. If not, stand the spreader upright on Wheels push the Handle Lever forward to the "ON" position. Loosen the Bolts in the Hopper holding the Handle Brace. Push down on the Handle Brace and the front of the Hopper. Retighten Bolts and check the shutoff.



### Operation

**Step 1:** Before filling Hopper, make sure spreader Handle Lever is in the “OFF” position. Always fill spreader on walk or drive, not on the lawn.

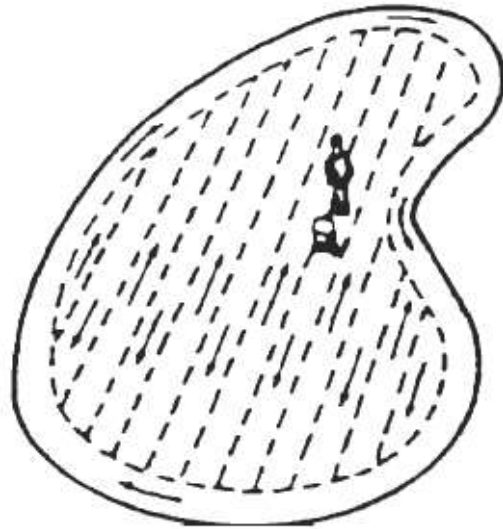
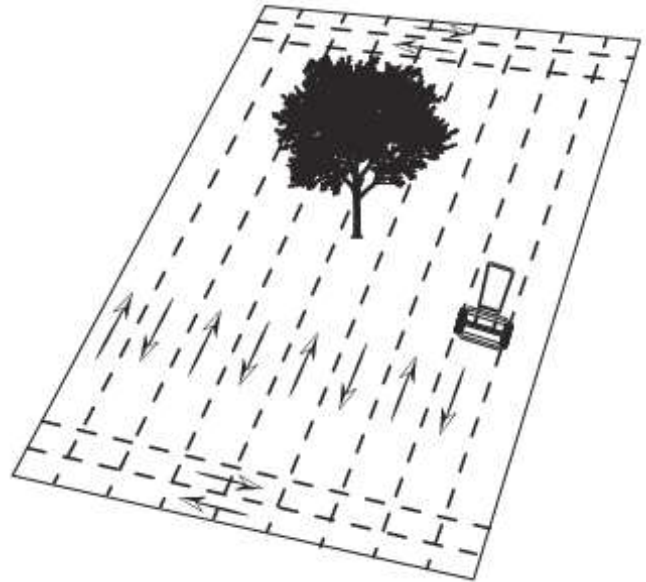
**Step 2:** Loosen Rate Control Knobs and move the Tie Bar to setting recommended for the product applied. If setting is not known, refer to “**DETERMINING APPLICATION RATES**” section of this book. Retighten knobs after setting is made.

**Step 3:** Always push spreader, do not pull. Start spreader in motion and as it passes over the area to be treated, push Handle Lever to the “ON” position. Close Handle Lever at the end of each pass.

**Step 4:** Operate spreader at 3 MPH pace. (33.3 feet in 7.5 seconds)

**Step 5:** Apply two header strips at each end of area to be treated and then proceed lengthwise between the header strips. Be sure to overlap the wheel tracks slightly to prevent streaking.

**Step 6:** When applying lime, do not use limestone that is so finely ground that it will pack inside the Hopper, or use hard, abrasive particles which will damage the spreader. Use only compacted, free flowing, non-abrasive lime products.

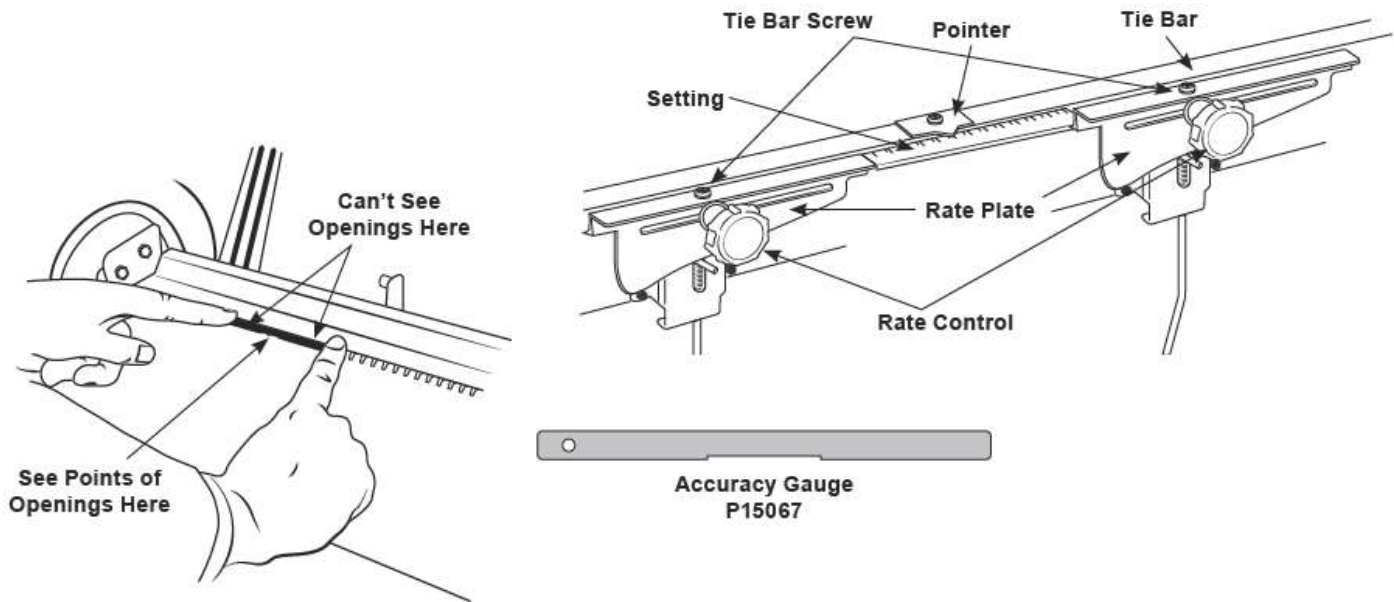


### Determining Application Rates

The following procedure provides a means of accurately determining drop spreader settings when settings do not appear on the package, or to “fine tune” the manufacturer’s recommend settings. Spreader rates can vary due to walking speed, condition of turf, humidity, physical characteristics of the product being applied, or condition of the spreader. It is good practice to double check settings using the following method

| PROCEDURE  | EXAMPLE  |
|--|--|
| <b>Step 1:</b> The manufacturer will recommend coverages on the product package. Generally, it is stated as applying a certain number of pounds of product per 1,000 square feet.  | The contents of this package (25 lbs.) covers 2,000 square feet. |
| <b>Step 2:</b> Determine the amount of material in pounds to cover 100 square feet. Add two zeros to weight of bag and divide that by the square foot coverage.  | 2,500 divided by 2,000 square feet= 1.25 lbs.                    |
| <b>Step 3:</b> To change the decimal portion of answer in step #2 to ounces, multiply decimal portion by 16.   | 0.25 x 16 oz. = 4 oz. Total weight = 1 lb.- 4 oz.                |
| <b>Step 4:</b> On a clean walk of driveway, measure out 33.3 feet- the distance required to cover 100 square feet.   |  |
| <b>Step 5:</b> Add a measured amount of product to the spreader- 2 to 3 times the recommended rate. Operate spreader at a brisk walking speed (3 mph of 33.3 feet in 7.5 sec.) over the measured distance. Empty the spreader and weigh the amount left. Compare with the beginning amount; the difference is the amount applied. Adjust the setting up or down to achieve the correct application rate. |  |

### How to Verify Spreader Calibration

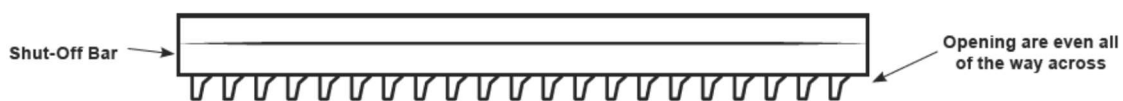


**Step 1:** Loosen both rate control knobs and set spreader setting at #4 1/2. With the operating lever in the open position, turn spreader upside down.

**Step 2:** Place accuracy gauge in position as shown above with notch facing away from shut off bar. Check openings near the ends and in the middle of the spreader. Calibration is correct when you see the points of the opening in the center of the gauge, but do not see any portion of the openings on either side of the center section. If calibration is not correct, continue to next section.

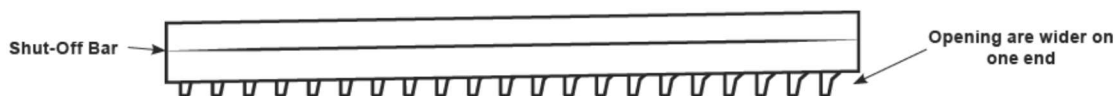
### How to Adjust Spreader Calibration

**Step 1:** IF OPENINGS ARE EVEN ALL THE WAY ACROSS THE HOPPER as shown below, but the openings are too large or small, loosen both rate control knobs and move the rate plates to close or widen the openings using the accuracy gauge until calibration is correct. Retighten rate control knobs.



**Step 2:** Turn spreader upright. Loosen pointer screw and align pointer at setting #4 1/2. Tighten pointer screw.

**Step 1:** IF OPENINGS ARE WIDER ON ONE END OF THE SPREADER AS COMPARED TO THE OPPOSITE END as shown below, loosen both rate control knobs and the two tie bar screws (do not remove screws).



**Step 2:** Working on one end of the spreader, move the rate plate closest to that end to adjust the opening using the accuracy gauge until calibration is correct. Repeat on opposite end. Check entire length and adjust rate plates as required to assure spreader is in calibration. Retighten rate control knobs.

**Step 3:** Turn spreader upright and move tie bar so setting #4 1/2 is aligned with the pointer. Retighten tie bar screws.

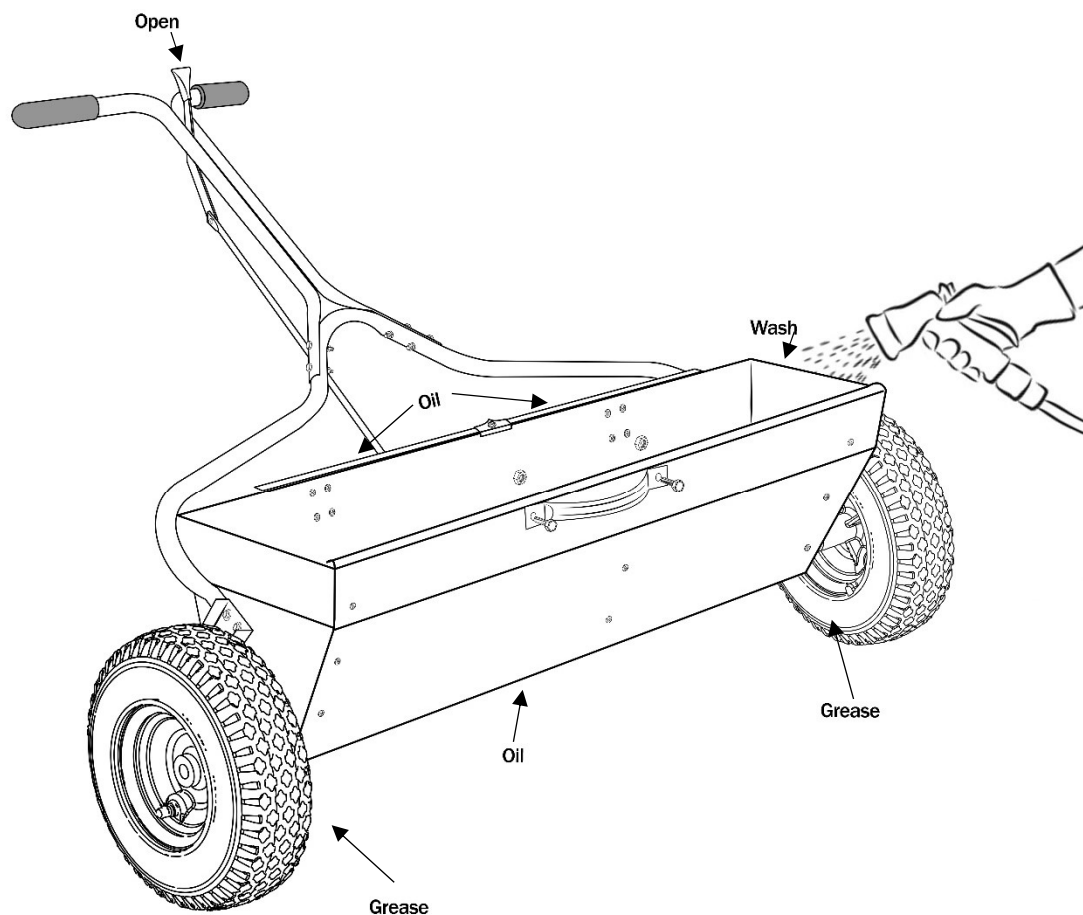
### Maintenance

**Step 1:** Never store material in the spreader. Return the unused product to its original container.

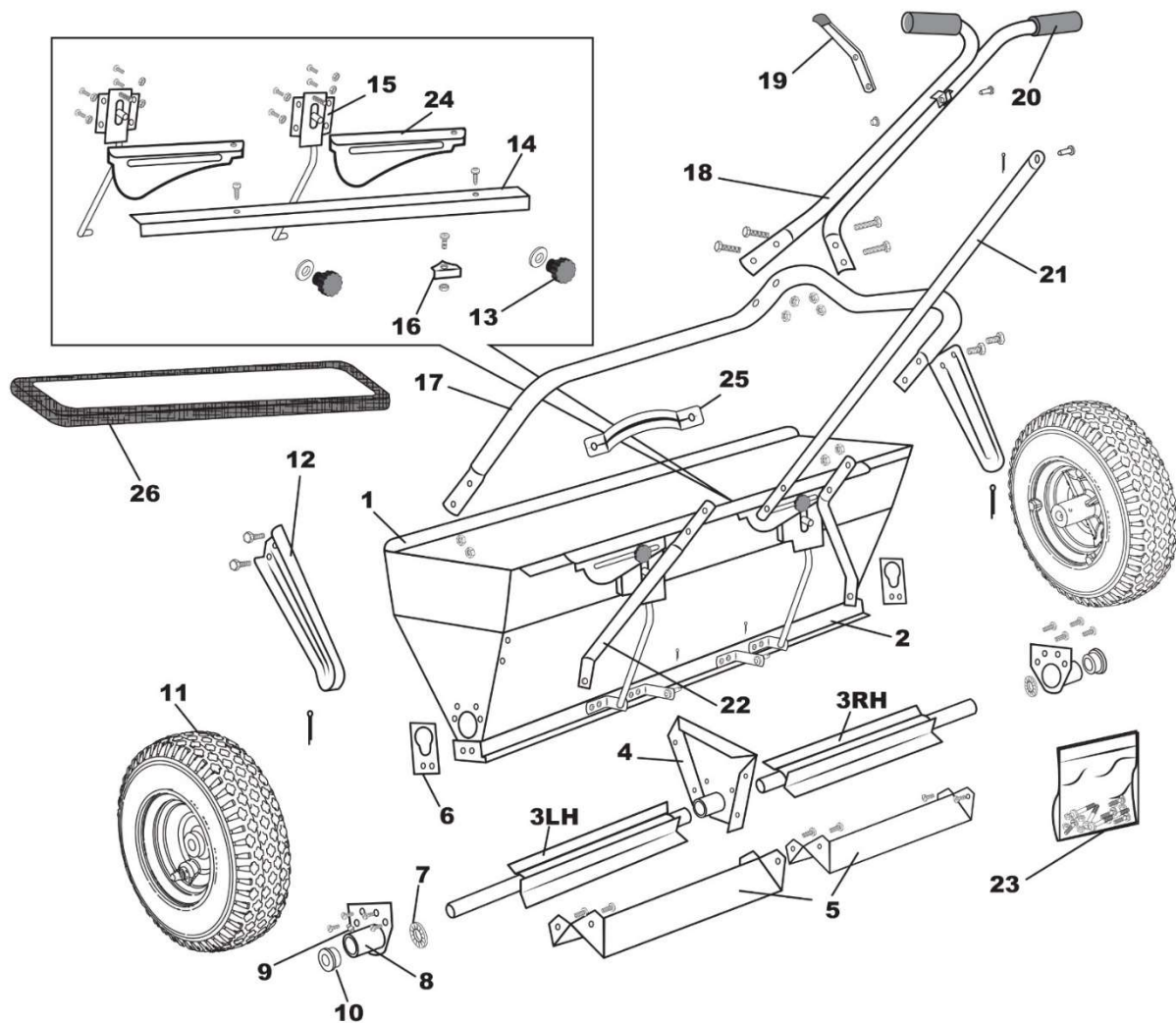
**Step 2:** Set Rate Slide on the highest number, open the spreader, and spin Wheels to remove excess material.

**Step 3:** Wash out Hopper thoroughly after each use to remove material clinging to surfaces. Pay close attention to the area between the Shutoff Bar and Hopper. Allow the spreader to completely dry.

**Step 4:** Oil bottom of Hopper, Control Housing Spring, and Agitators at the Center Bearing. Lubricate Axle Bearings with grease. Store spreader in the open position.



## Assembly and Operation Instructions



| #     | PART #     | DESCRIPTION                  | #  | PART #     | DESCRIPTION                  |
|-------|------------|------------------------------|----|------------|------------------------------|
| 1     | P142111PL  | HOPPER ASSEMBLY              | 14 | P14237SS-S | TIE BAR*                     |
| 2     | P144791SS  | SHUTOFF BAR ASSEMBLY*        | 15 | P14286SS   | SPRING HOUSING ASSEMBLY* (2) |
| 3 LH. | P146431    | AGITATOR/AXLE ASSEMBLY-LH. * | 16 | P12708SS   | POINTER*                     |
| 3 RH. | P146441    | AGITATOR/AXLE ASSY-RH.*      | 17 | P15029SS   | HANDLE BRACE                 |
| 4     | P14590     | BEARING SUPPORT ASSY*        | 18 | P149062    | UPPER HANDLE ASSY            |
| 5     | P14589     | AGITATOR BAFFLE* (2)         | 19 | P127112SS  | HANDLE LEVER ASSY            |
| 6     | P14227SS   | END HANGER* (2)              | 20 | P14870     | HANDLE GRIP (2)              |
| 7     | P14007     | AXLE GREASE SEAL* (2)        | 21 | P14415SS   | CONTROL TUBE                 |
| 8     | P142221SSA | BEARING END PLATE ASSY* (2)  | 22 | P14409SS   | CONTROL TUBE BRACE (2)       |
| 9     | P90005     | GREASE FITTING* (2)          | 23 | P142424    | FASTENER PACKAGE             |
| 10    | P14006     | AXLE BEARING* (2)            | 24 | P14236SS   | RATE PLATE* (2)              |
| 11    | P15043     | WHEEL & TIRE ASSEMBLY (2)    | 25 | P15048SS   | LIFTING HANDLE               |
| 12    | P12714SS   | LEG (2)                      | 26 | PJ014      | HOPPER COVER                 |
| 13    | P12704     | RATE CONTROL KNOB* (2)       |    |            |                              |



## CUSTOMER SERVICE

---

### CUSTOMER SERVICE

574.848.7941 | [SUPPORT@EARTHWAY.COM](mailto:SUPPORT@EARTHWAY.COM) | [www.EARTHWAY.com](http://www.EARTHWAY.com) | 1009 Maple Street, Bristol, IN 46507

### ONE YEAR WARRANTY

EarthWay Products, Inc. warrants this product free of defects in original workmanship and materials for a period of one year to the end user with the original purchase receipt. If a manufacturing non-conformance is found, EarthWay Products, Inc. at its discretion will repair or replace the part(s)/product at no charge provided the failure is not the result of incorrect installation, mishandling, misuse, tampering, or normal wear and tear as determined by EarthWay.

EarthWay at its discretion may require that the part(s) or product be returned along with the original purchase receipt for examination and compliance with the terms of this warranty. Do not return any product without first receiving authorization from EarthWay Products, Inc.

To seek remedy under this warranty, contact EarthWay Products, Inc. at 574-848-7491, [support@earthway.com](mailto:support@earthway.com) or write to EarthWay Products, Inc. 1009 Maple Street, Bristol, IN 46507 and describe the nature of the manufacturing defect. SPECIFIC LIMITATIONS: This warranty covers only the part(s) or product; any labor charges associated with repair or replacement of non-conformances are specifically excluded. Due to the corrosive nature of most fertilizers and ice melt products, EarthWay Products, Inc. makes no warranty against and specifically excludes part(s) or product degradation or failure due to corrosion or its effects.