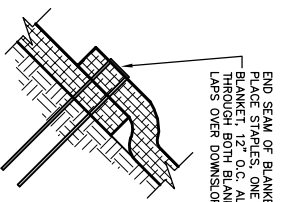


EXTEND BLANKET A MINIMUM OF 3'-0" OVER CREST OF SLOPE. SEE DETAIL 4/2. MINIMUM OF 3'-0" IS NOT AVAILABLE AT THE CREST OF SLOPE OR IF OVERLAND FLOW IS ANTICIPATED FROM UPLAND AREAS. SEE DETAILS 5/2 & 6/2

FOR END ROLL OVERLAP, SEE DETAIL 2/2

SIDE SEAM OVERLAP, SEE DETAIL 7/2

BLANKET TO EXTEND A MINIMUM OF 3'-0" BEYOND TOE OF SLOPE FOR BOTTOM OF SLOPE TERMINATION. SEE DETAIL 3/2

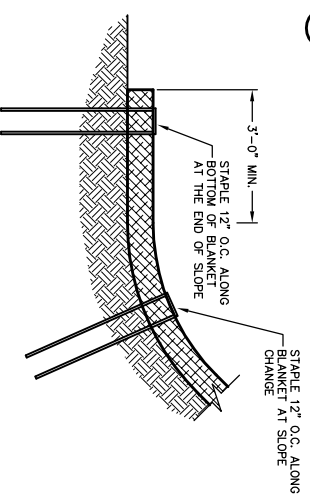


END SEAM OF BLANKETS OVERLAP 2'-4" PLACE STAPLES, ONE ON EACH CORNER OF BLANKET, 12" O.C. ALONG BLANKET THROUGH BOTH BLANKETS. UPSLOPE BLANKET LAPS OVER DOWNSLOPE BLANKETS IN A SHINGLE AFFECT.

END ROLL OVERLAP
NO SCALE



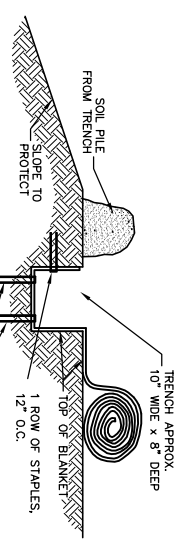
SLOPE DETAIL
NO SCALE



BOTTOM OF SLOPE TERMINATION
NO SCALE

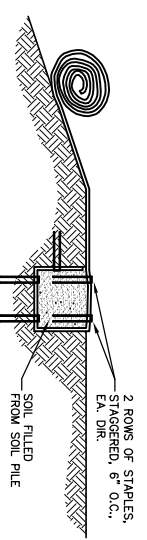


SLOPE CREST ANCHOR METHOD A (NO TRENCH)
NO SCALE
DO NOT NEED TO TRENCH BLANKET IN IF IT CAN BE EXTENDED A MINIMUM OF 3'-0" OVER THE CREST OF THE SLOPE.



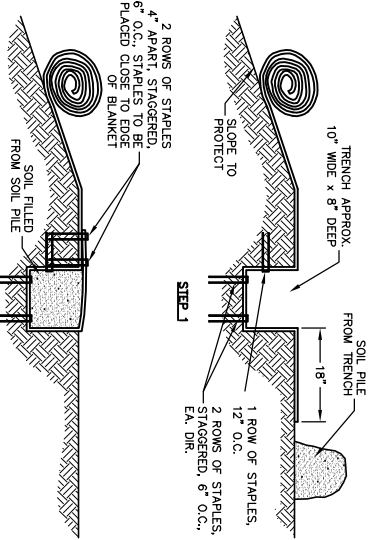
STEP 1

2 ROWS OF STAPLES, STAGGERED, 6" O.C., EA. DIR.

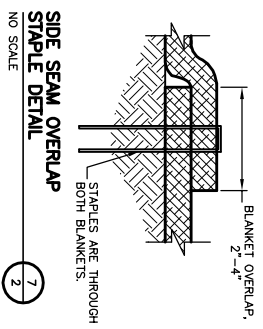


STEP 2

SLOPE TRENCHING METHOD B
NO SCALE



SLOPE TRENCHING METHOD C
NO SCALE



SIDE SEAM OVERLAP
NO SCALE



NOTES:
1. STAPLE PATTERNS ARE DEPENDENT ON SITE CONDITIONS. SEE AEC PREMIER STRAW® STAPLE PATTERN GUIDE FOR DETAILS.
2. E-STAPLE® MAY BE USED IN PLACE OF WIRE STAPLES.

NO.	REV.	DATE	REVISIONS	PROJECT MANAGER BY: APPROVED BY:	AMERICAN EXCELSIOR COMPANY ARLINGTON, TEXAS	SHEET DESCRIPTION AEC PREMIER STRAW® SLOPE APPLICATION DETAIL	DATE 1/7/03	DRAWN BY:	SHEET NO. 2
-----	------	------	-----------	----------------------------------	--	---	-------------	-----------	-------------

