

Centrifugal Pumps

FEATURING FLINT & WALLING'S *SERVICE PLUS* MOTORS

Model CJ103

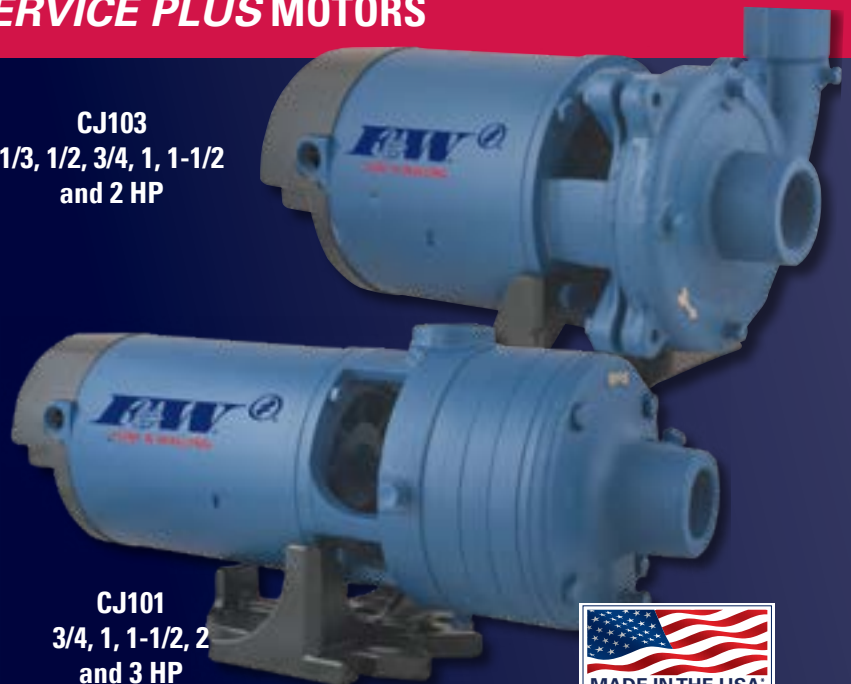
- Low lead brass or thermoplastic impellers
- Capacities to 113 GPM
- Pressures to 45 PSI
- Discharge can be rotated to any one of four positions for horizontal or vertical positioning

CJ103
1/3, 1/2, 3/4, 1, 1-1/2
and 2 HP

Model CJ101

- Low lead brass or thermoplastic impellers
- Capacities to 57 GPM
- Pressures to 95 PSI
- Multi-Stage for high head

CJ101
3/4, 1, 1-1/2, 2
and 3 HP



Single or three phase

Suction lifts to 25 feet

Pressures to 95 PSI

*USING A MAJORITY OF U.S. COMPONENTS



Centrifugal Pumps

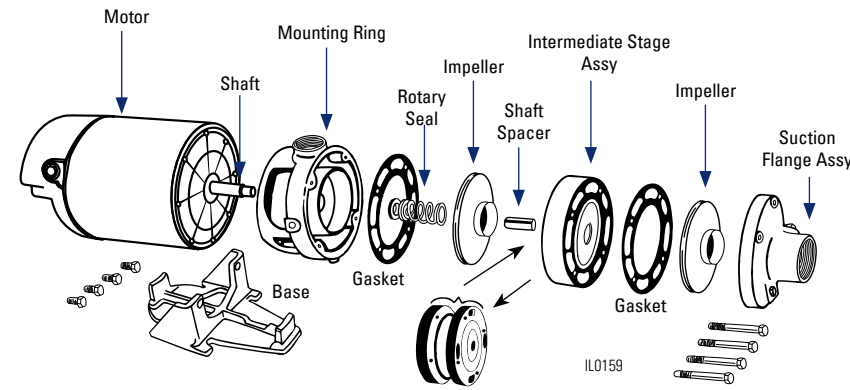
Flint & Walling single and multi stage CJ103 and CJ101 Centrifugal pumps are non-self priming with suction lifts up to 25 feet. Applications include booster service, water circulation, liquid

transfer, cooling systems, jockey pump service and general service in farm, commercial and industrial applications.

COMPONENT DESCRIPTION	CJ103 SERIES 1/3 THROUGH 2 HP SINGLE STAGE MODELS		CJ101 SERIES 3/4 THROUGH 3 HP TWO & THREE STAGE MODELS	
	1 PHASE	3 PHASE	1 PHASE	3 PHASE
Suction Body	Cast iron w/low lead brass clearance ring. Discharge port rotates in 90° increments. 1/4" vacuum tappings and drain plugs.		Cast iron w/low lead brass clearance ring and 1/4" vacuum tapping.	
Impeller(s)	Closed low lead brass or closed thermoplastic		Closed low lead brass or closed thermoplastic	
Gasket(s)	Buna-N quadra seal		Lexide gasket, Buna-N quadra seal	
Intermediate Stage(s)	Not applicable		Cast iron w/brass suction and hub clearance rings	
Shaft Seal	Silicon carbide, stainless steel spring, and Buna-N		Silicon carbide, stainless steel spring, and Buna-N	
Mounting Ring	Cast iron body		Cast iron body, 1/4" tapping for applications requiring a pressure switch	
Pump Shaft	Threaded 416 stainless steel		Threaded 416 stainless steel	
Base	Rigid steel base assembly		Heavy cast iron base assembly	
Motor	All pumps feature Flint & Walling's Service Plus 56 frame NEMA J, dual voltage ODP motors with permanently lubricated double ball bearing. Single or three phase options. TEFC motors available on selective models.			

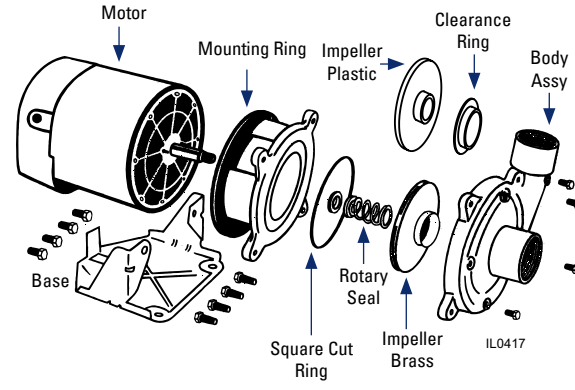
Open Drip Proof (ODP) motor voltage
 CJ101 Single Phase: 1/3 through 2 HP - 115/230V; 3 HP - 230V, 60HZ
 CJ103 Single Phase: 2 HP, 230V, 60HZ
 Three Phase: 1/2 through 2 HP - 208-230V/460V, 50/60HZ
 3 HP - 208-230/460V; 60HZ

Totally Enclosed Fan Cooled (TEFC) motor voltage
 Single Phase: 1/2 through 3 HP - 115/230V 60/50HZ
 Three Phase: 1/2 through 3 HP - 208-230/460V 60/50HZ



CJ101 SERIES

Product may not be exactly as shown.



CJ103 SERIES

CJ103 1/2, 3/4 and 1 HP series also available with autophoretic coating on inside of castings. Add suffix PC to Model No. Example: CJ103051PC.



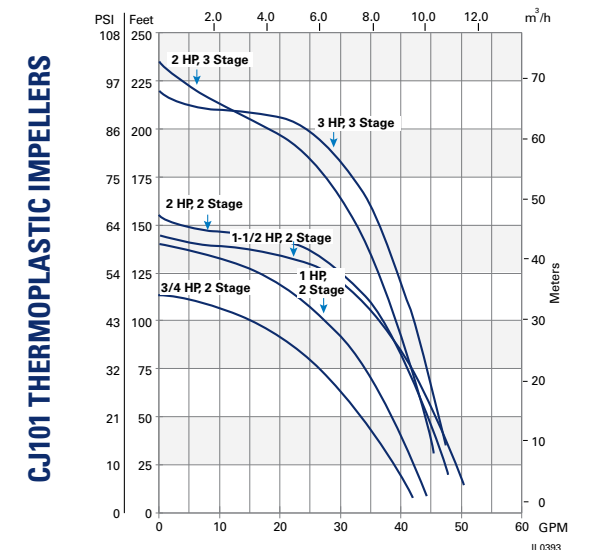
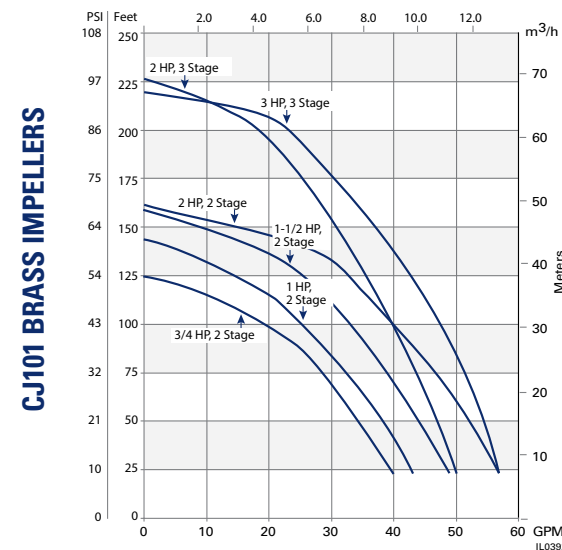
Centrifugal Pumps

PUMP PERFORMANCE

CJ101 SERIES CENTRIFUGAL PUMPS, LOW LEAD BRASS IMPELLERS																	
MODEL NO.		HP	STAGES	LIFT FT.	Discharge Pressure PSI										MAX. PRESS. PSI	MAX. CASE PRESS.	MAX. LIQUID TEMP.
1 PHASE	3 PHASE				10	20	30	40	50	60	70	80	90				
CAPACITY U.S. GPM																	
CJ101B071AB	CJ101B073AB	3/4	2	5	39	34	29	21	5						54	160psig	200° F
CJ101B071TAB	CJ101B073TAB			15	38	33	26	18									
CJ101B101AB	CJ101B103AB	1	2	5	42	38	33	26	18					62	160psig	200° F	
CJ101B101TAB	CJ101B103TAB			15	40	36	31	24	14								
CJ101B151AB	CJ101B153AB	1 1/2	2	5	48	44	39	34	27	17				69	160psig	200° F	
CJ101B151TAB	CJ101B153TAB			15	44	42	37	31	24	10							
CJ101B201AB	CJ101B203AB	2	2	5	56	52	47	41	34	24				70	160psig	200° F	
CJ101B201TAB	CJ101B203TAB			15	50	49	45	39	31	19							
CJ101C201AB	CJ101C203AB	2	3	5	49	47	43	40	36	32	28	22	12	98	160psig	200° F	
CJ101C201TAB	CJ101C203TAB			15	45	44	42	39	35	31	26	19					
CJ101C301AB	CJ101C303AB	3	3	5	56	54	51	48	44	39	33	27	18	95	160psig	200° F	
CJ101C301TAB	CJ101C303TAB			15	50	49	48	46	42	37	31	24	20				

CJ101 SERIES CENTRIFUGAL PUMPS, PLASTIC IMPELLERS																	
MODEL NO.		HP	STAGES	LIFT FT.	Discharge Pressure PSI										MAX. PRESS. PSI	MAX. CASE PRESS.	MAX. LIQUID TEMP.
1 PHASE	3 PHASE				10	20	30	40	50	60	70	80	90				
CAPACITY U.S. GPM																	
CJ101P071	CJ101P073	3/4	2	5	41	35	28	20						49	160psig	160° F	
				15	38	32	26	13									
CJ101P101	CJ101P103	1	2	5	45	40	35	28	20					60	160psig	160° F	
				15	42	39	33	26	15								
CJ101P151	CJ101P153	1 1/2	2	5	54	50	44	38	28					61	160psig	160° F	
				15	48	46	42	35	23								
CJ101P201	CJ101P203	2	2	5	55	52	47	41	34	23				67	160psig	160° F	
				15	49	47	45	39	30	17							
CJ101D201	CJ101D203	2	3	5	44	44	44	41	37	32	28	22	16	101	160psig	160° F	
				15	36	36	36	35	30	25	20	15					
CJ101D301T	CJ101D303	3	3	5	54	52	50	47	44	39	33	25	15	95	160psig	160° F	
				15	48	47	46	45	42	37	30	22	11				

Do not exceed the maximum case pressure and maximum liquid temperature rating of the pump. Performance shown for 60Hz models. 50 Hz models also available. Suction and Discharge Tappings 1-1/2" X 1-1/4"



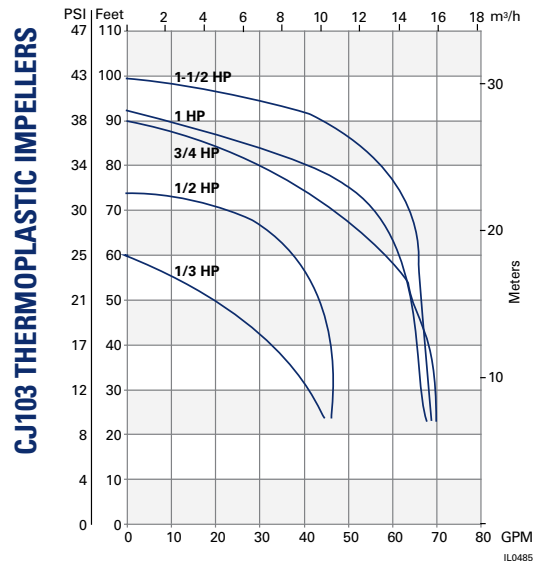
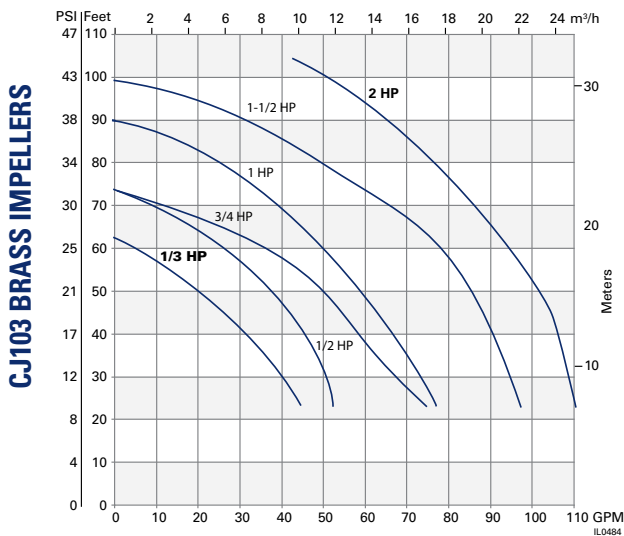
Centrifugal Pumps

PUMP PERFORMANCE

CJ103 SERIES CENTRIFUGAL PUMPS, LOW LEAD BRASS IMPELLERS																	
MODEL NO.		HP	STAGES	LIFT FT.	Discharge Pressure PSI										MAX. PRESS. PSI	MAX. CASE PRESS.	MAX. LIQUID TEMP.
1 PHASE	3 PHASE				10	15	20	25	30	35	40	45	50				
					CAPACITY U.S. GPM												
CJ103031AB		1/3	1	5 15 25	42 36 28	34 26	21							27	100psig	200° F	
CJ103051AB CJ103051TAB		1/2	1	5 15 25	50 43 33	47 40 30	37 29 15	25 9						32	100psig	200° F	
CJ103071 CJ103071T	CJ103073 CJ103073T	3/4	1	5 15 25	71 66 57	62 54 43	51 40 25	36 19	11					32	100psig	200° F	
CJ103101 CJ103101T	CJ103103 CJ103103T	1	1	5 15 25	76 73 66	69 65 57	61 54 45	50 41 29	36 24	16				39	100psig	200° F	
CJ103151 CJ103151T	CJ103153 CJ103153T	1 1/2	1	5 15 25	94 92 74	88 85 72	80 75 66	70 63 52	59 49 34	44 27	18			43	100psig	200° F	
CJ103201 CJ103201T	CJ103203 CJ103203T	2	1	5 15 25	109 109 90	103 103 89	96 94 85	86 82 71	75 67 51	61 45	39			44	100psig	200° F	

CJ103 SERIES CENTRIFUGAL PUMPS, PLASTIC IMPELLERS																	
MODEL NO.		HP	STAGES	LIFT FT.	Discharge Pressure PSI										MAX. PRESS. PSI	MAX. CASE PRESS.	MAX. LIQUID TEMP.
1 PHASE	3 PHASE				10	15	20	25	30	35	40	45	50				
					CAPACITY U.S. GPM												
CJ103P031		1/3	1	5 15 25	43 35 26	35 24	21							26	100psig	160° F	
CJ103P051	CJ103P053	1/2	1	5 15 25	45 41 31	45 41 29	44 38 27	36 24	19					32	100psig	160° F	
CJ103P071	CJ103P073	3/4	1	5 15 25	69 64 49	68 62 48	64 57 45	57 46 31	42 28	20				38	100psig	160° F	
CJ103P101	CJ103P103	1	1	5 15 25	67 61 47	65 59 46	64 58 45	62 55 43	51 41 23	35				40	100psig	160° F	
CJ103P151	CJ103P153	1 1/2	1	5 15 25	68 62 48	67 61 47	66 60 46	65 59 45	63 55 41	52 39	31			44	100psig	160° F	

Do not exceed the maximum case pressure and maximum liquid temperature rating of the pump. Performance shown for 60Hz models. 50 Hz models also available. Models with suffix T denotes TEFC motor. All other models utilize ODP motors. Suction and Discharge Tappings 1-1/2" X 1-1/4"



Printed 1/1/2020

