

Application

ZURN WILKINS Model 850 Full Port Bronze Ball Valves are recommended for residential, commercial and industrial applications. Ideal for throttling and balancing installations of low pressure steam, air, water and non-corrosive gas or oil.

Materials

Main valve body	Bronze ASTM B 584
Ball	Chrome plated brass ASTM B 16
Seats	TFE virgin teflon
Stems	Brass ASTM B 16
Stem packing	TFE virgin teflon
Thrust washer	TFE virgin teflon
Handle	Stainless steel
Handle nut	Stainless steel



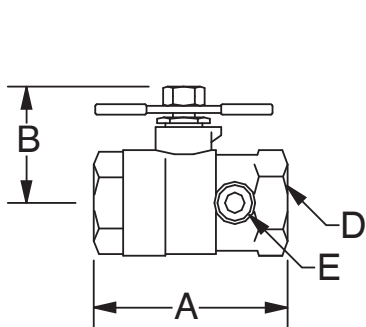
Features

Sizes: 1/4", 3/8", 1/2", 3/4", 1", 1 1/4", 1 1/2", 2"

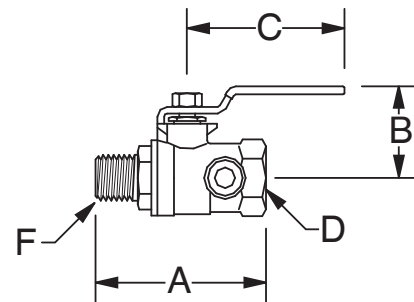
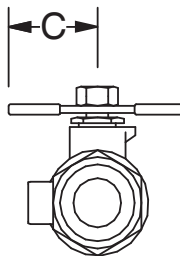
Pressure rating	400 psi WOG
Temperature rating	33°F to 350°F @50 psi
Threaded connections (FNPT)	ANSI B1.20.1

Options (Suffixes can be combined)

- FNPT x FNPT connections, (1/2" - 2")
- M - MNPT x FNPT connections, (1/4" - 1/2")
- with BSP threads Models 850 & 850T (3/4" - 2")
- T - tapped (FNPT X FNPT)
- U - with single union body (FNPT x FNPT) (3/4" to 2")
- SB - with stainless steel ball & handle



Size 1/2" - 2"



Size 1/4" - 2"

Dimensions & Weights (do not include pkg.)

SIZE	DIMENSIONS (approximate)																	
	MODEL 850			MODEL 850U			850M			B		C		D	E	F	WEIGHT	
	A	A	A	A	A	A	A	A	A	in.	mm	in.	mm	THREAD FNPT	TAP SIZE FNPT	THREAD MNPT	lbs.	kg.
1/4	N/A	N/A	N/A	N/A	N/A	N/A	2 1/8	54	2 5/8	1 5/8	41	2 5/8	67	1/4-18	1/8-27	1/4-18	1	0.5
3/8	N/A	N/A	N/A	N/A	N/A	N/A	2 1/8	54	2 1/4	1 5/8	41	2 5/8	67	3/8-18	1/8-27	3/8-18	1	0.5
1/2	2 1/4	57	2 1/2	N/A	N/A	N/A	2 5/8	67	2 1/4	1 7/8	48	2 3/4	70	1/2-14	1/8-27	1/2-14	1	0.5
3/4	2 1/2	64	2 3/4	3 5/16	84	3 5/8	N/A	N/A	N/A	1 3/4	45	1 5/8	41	3/4-14	1/8-27	N/A	1	0.5
1	2 3/4	70	3	3 7/8	94	4 1/8	N/A	N/A	N/A	2	51	1 5/8	41	1-11 1/2	1/8-27	N/A	2	1
1 1/4	3 5/16	84	3 5/8	4 1/4	108	4 1/2	N/A	N/A	N/A	2 5/8	67	3 1/2	89	1 1/4-11 1/2	1/4-18	N/A	3	1.4
1 1/2	3 3/4	95	3 7/8	4 7/8	124	5 1/4	N/A	N/A	N/A	2 7/8	73	4 3/4	121	1 1/2-11 1/2	1/4-18	N/A	3	1.4
2	4 1/2	114	4 5/8	5 5/16	135	5 5/8	N/A	N/A	N/A	3 7/8	98	4 3/4	121	2-11 1/2	1/4-18	N/A	6	2.7