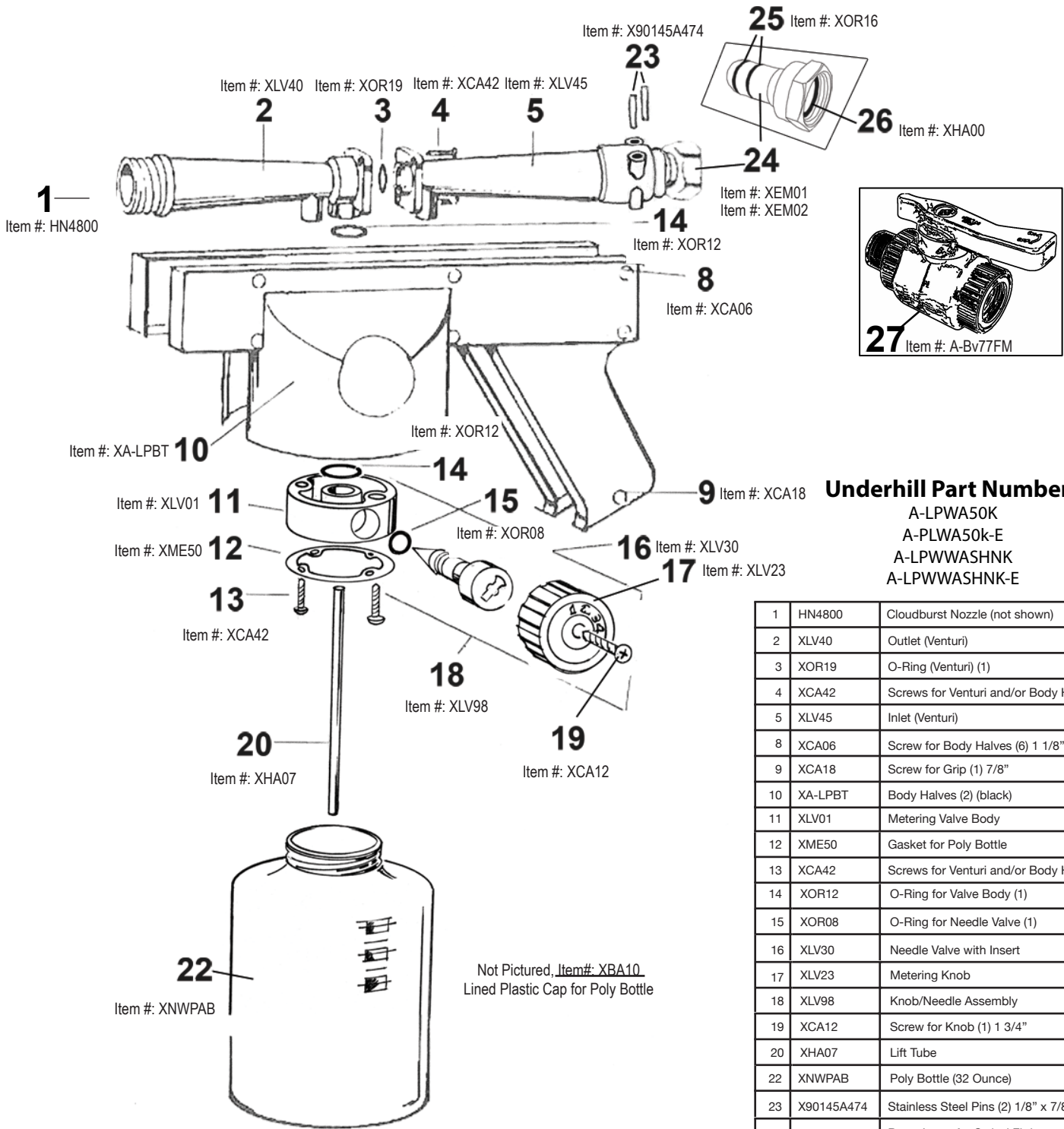


Underhill®

LiquidPro™

Parts Breakout Diagram



Underhill Part Numbers

A-LPWA50K
A-PLWA50K-E
A-LPWWASHNK
A-LPWWASHNK-E

1	HN4800	Cloudburst Nozzle (not shown)
2	XLV40	Outlet (Venturi)
3	XOR19	O-Ring (Venturi) (1)
4	XCA42	Screws for Venturi and/or Body Halves (2) 1/2"
5	XLV45	Inlet (Venturi)
8	XCA06	Screw for Body Halves (6) 1 1/8"
9	XCA18	Screw for Grip (1) 7/8"
10	XA-LPBT	Body Halves (2) (black)
11	XLV01	Metering Valve Body
12	XME50	Gasket for Poly Bottle
13	XCA42	Screws for Venturi and/or Body Halves (2) 1/2"
14	XOR12	O-Ring for Valve Body (1)
15	XOR08	O-Ring for Needle Valve (1)
16	XLV30	Needle Valve with Insert
17	XLV23	Metering Knob
18	XLV98	Knob/Needle Assembly
19	XCA12	Screw for Knob (1) 1 3/4"
20	XHA07	Lift Tube
22	XNWPAB	Poly Bottle (32 Ounce)
23	X90145A474	Stainless Steel Pins (2) 1/8" x 7/8"
24	XEM02	Brass Insert for Swivel Fitting
24	XEM02	3/4" Nut for Swivel Fitting
25	XOR16	O-Ring for 3/4" Swivel (2)
26	XHA00	Hose/Washer 3/4"
	XBA10	Plastic Cap for Poly Bottle (not shown)
27	A-BV77FM	Plastic Highflow Valve, 3/4" HT