



OPTIONAL ATTACHMENTS & ACCESSORIES**Fits Models**

PAS-210	Pro Attachment Series
PAS-2100	Pro Attachment Series
PAS-211	Pro Attachment Series
PAS-225	Pro Attachment Series
PAS-230	Pro Attachment Series
PAS-231	Pro Attachment Series
PAS-2400	Pro Attachment Series
PAS-260	Pro Attachment Series
PAS-2601	Pro Attachment Series
PAS-261	Pro Attachment Series
PAS-265	Pro Attachment Series
SRM-2100SB	Split-Shaft Trimmer
SRM-2101SB	Split-Shaft Trimmer
SRM-210SB	Split-Shaft Trimmer
SRM-225SB	Split-Shaft Trimmer
SRM-2400SB	Split-Shaft Trimmer
SRM-260SB	Split-Shaft Trimmer
SRM-261SB	Split-Shaft Trimmer

PARTS CATALOG**99944200532 Power
Pruner Attachment****Pro Attachment Series****SERIAL NUMBERS**

S/N: S06800001001 - S06800999999

ECHO, INCORPORATED

400 Oakwood Road Lake Zurich, Illinois 60047 USA

WWW.ECHO-USA.COM



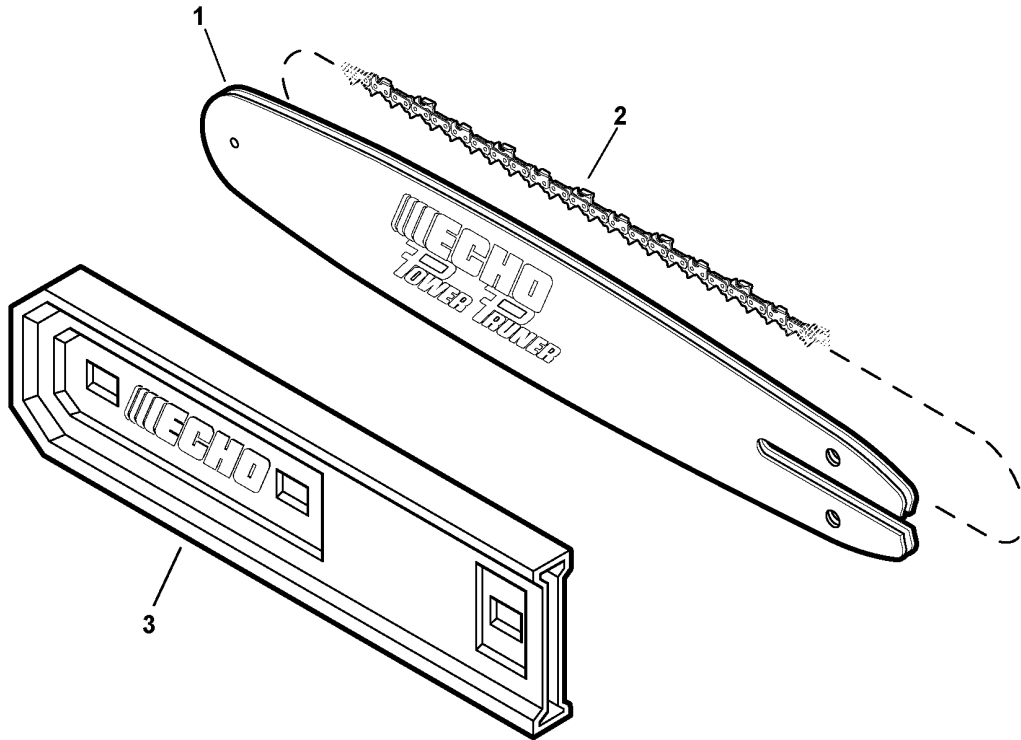
Table of Contents

Click Any Diagram Description Below To View That Diagram.

99944200532 Power Pruner Attachment S/N: S06800001001 - S06800999999

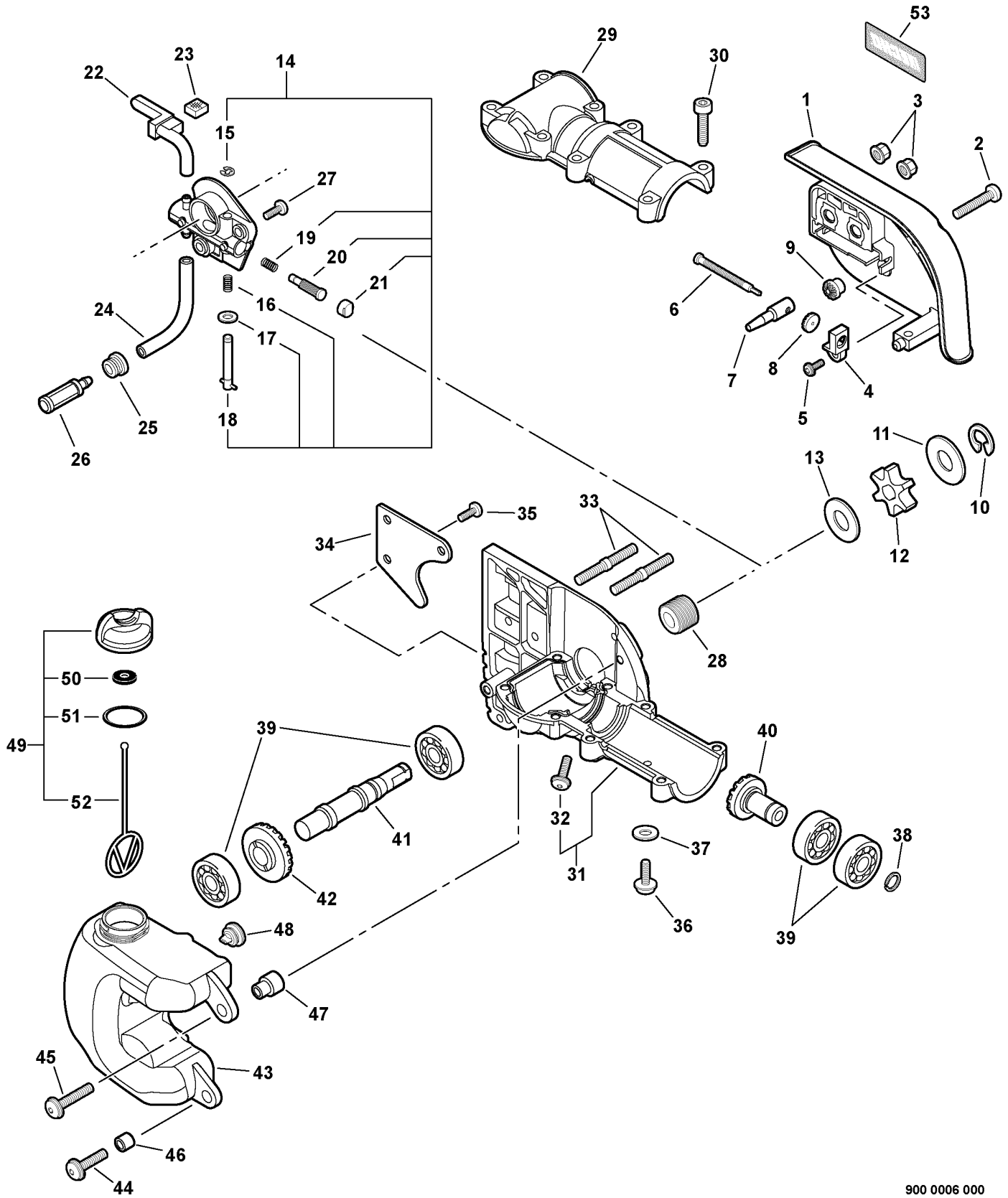
Guide Bar, Sawing Chain, Guide Bar Cover.....	4
Gear Case, Auto-Oiler.....	6
Main Pipe Assembly, Flexible Driveshaft.....	8
Part Number Index.....	10
Part Description Index.....	11

This Page Intentionally Left Blank



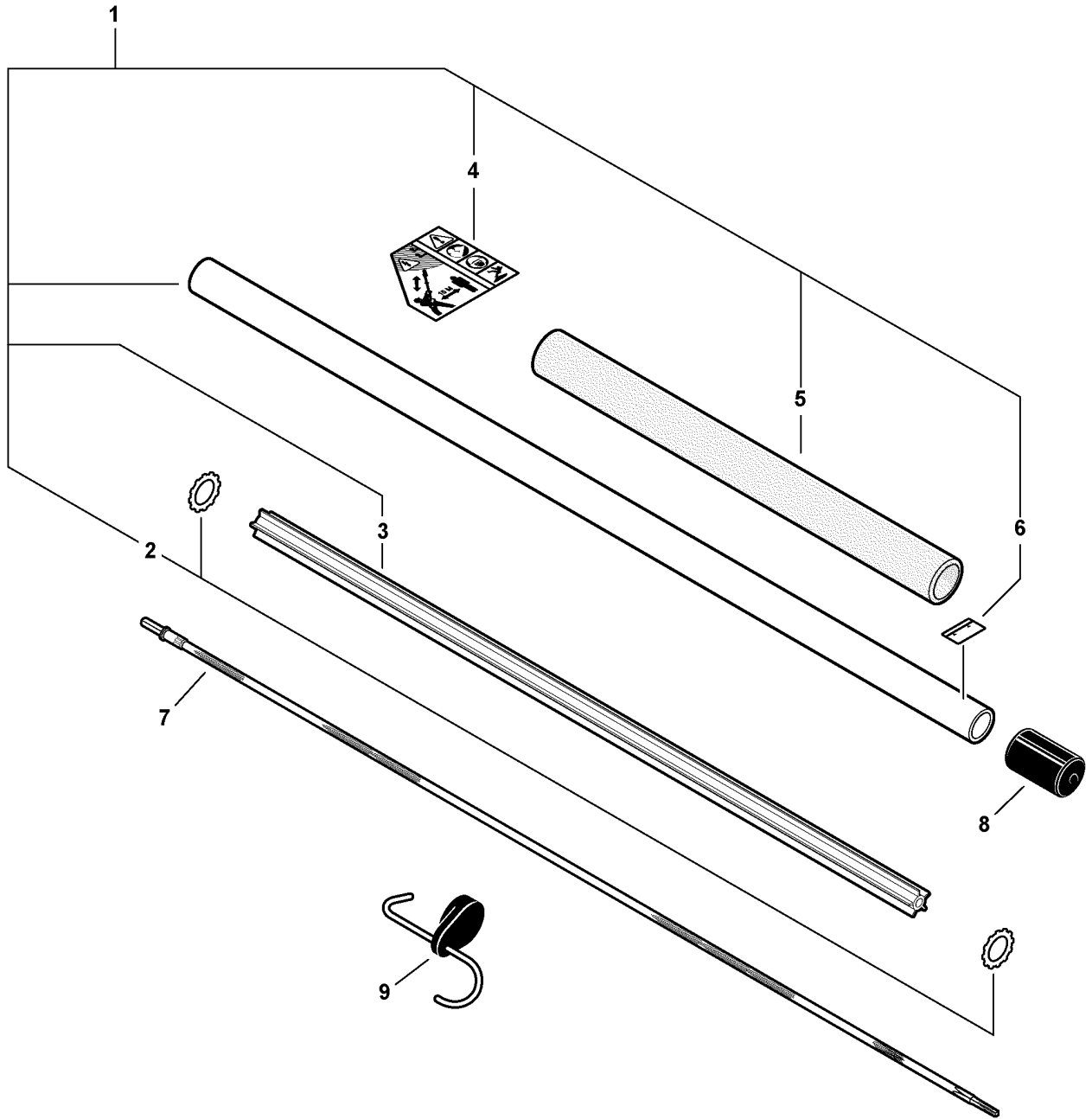
016 0013 000

ITEM	PART NUMBER	QTY	DESCRIPTION	REMARKS
1	10A0CD3739	1	GUIDE BAR	
2	M91VX39G	1	SAWING CHAIN	GAUGE: .050"
3	X490000060	1	COVER, GUIDE BAR	



900 0006 000

ITEM	PART NUMBER	QTY	DESCRIPTION	REMARKS
1	C300000361	1	GUARD, SPROCKET	
2	V253000180	1	SCREW 5X20	
3	43301903933	2	FLANGE NUT 6	
4	V355000140	1	COLLAR	
5	V252000040	1	SCREW 4X8	
6	V203000041	1	BOLT	
7	C309000030	1	TENSIONER	
8	V651000310	1	GEAR	
9	V651000320	1	GEAR	
10	V583000090	1	CIRCLIP	
11	V307000160	1	WASHER	
12	C580000070	1	SPROCKET, DRIVE	
13	17501439131	1	WASHER	
14	C022000010	1	AUTO-OILER ASY	INCLUDES ITEMS 15-21
15	12532715130	1	CIRCLIP	
16	P022010670	1	SPRING	
17	43702937330	1	WASHER	
18	P022010680	1	NEEDLE, ADJUST	
19	P022010660	1	SPRING	
20	P022010650	1	PLUNGER	
21	P022010640	1	CAP, OIL PUMP	
22	V470000180	1	PIPE, OIL OUTLET	
23	43724439130	1	PAD, FOAM	
24	13011014330	1	PIPE, OIL - 3X6X75mm	REPOWER BULK OPTION: 90015
25	13211501461	1	GROMMET	
26	43620502832	1	FILTER, OIL	
27	V253000200	2	SCREW 5X10	
28	43706338330	1	GEAR, WORM	
29	C531000010	1	CASE, GEAR - UPPER	
30	V253000240	8	SCREW 5X25	
31	C531000460	1	CASE, GEAR - LOWER	INCLUDES ITEMS 32
32	90010905010	1	SCREW 5X10	
33	V224000040	2	THREADED STUD 6	
34	C649000140	1	HOOK	
35	V253000200	3	SCREW 5X10	
36	90010905010	1	SCREW 5X10	
37	90060000005	1	WASHER	
38	90070600012	1	CIRCLIP 12	
39	9404206001	4	BEARING BALL	
40	V651000230	1	GEAR, BEVEL	
41	C534000430	1	SHAFT, GEAR	
42	V651000201	1	GEAR, BEVEL	
43	C200000080	1	TANK, OIL	
44	V253000230	2	SCREW 5X20	
45	V253000240	1	SCREW 5X25	
46	13104528230	2	COLLAR	
47	V354000010	1	SPACER	
48	13131406320	1	VENT ASY	
49	P021014940	1	CAP ASY - ORANGE	INCLUDES ITEMS 50-52
50	43601237830	1	WASHER - RUBBER	
51	90072000018	1	O RING	
52	A365000050	1	CONNECTOR, CAP	
53	X502000600	1	LABEL - ECHO	



031 0031 000

ITEM	PART NUMBER	QTY	DESCRIPTION	REMARKS
1	61020624561	1	MAIN PIPE ASY	INCLUDES ITEMS 2-6
2	90003800100	2	WASHER	
3	61021724560	1	LINER	
4	89016022660	1	LABEL - CAUTION	
5	35101221560	1	GRIP, HANDLE	
6	89015204930	1	LABEL - ALIGNMENT	
7	61001324561	1	DRIVESHAFT - FLEXIBLE	
8	35122301130	1	CAP, PROTECTIVE	
9	99944200630	1	PAS ATTACHMENT HANGER	INCLUDES 4 PER PACKAGE



Part Number Index

Click The Page Number After Any Part Number To View The Diagram Containing That Part.

Part Number	Page
10A0CD3739	5
12532715130	7
13011014330	7
13104528230	7
13131406320	7
13211501461	7
17501439131	7
35101221560	9
35122301130	9
43301903933	7
43601237830	7
43620502832	7
43702937330	7
43706338330	7
43724439130	7
61001324561	9
61020624561	9
61021724560	9
89015204930	9
89016022660	9
90003800100	9
90010905010	7
90060000005	7
90070600012	7
90072000018	7
9404206001	7
99944200630	9
A365000050	7
C022000010	7
C200000080	7
C300000361	7
C309000030	7
C531000010	7
C531000460	7
C534000430	7
C580000070	7
C649000140	7
M91VX39G	5
P021014940	7
P022010640	7
P022010650	7
P022010660	7
P022010670	7
P022010680	7
V203000041	7
V224000040	7
V252000040	7
V253000180	7
V253000200	7
V253000230	7
V253000240	7
V307000160	7
V354000010	7
V355000140	7
V470000180	7
V583000090	7
V651000201	7
V651000230	7
V651000310	7
V651000320	7
X490000060	5
X502000600	7



Part Description Index

Click The Page Number After Any Part Description To View The Diagram Containing That Part.

A

AUTO-OILER ASY.....7

B

BEARING BALL.....7
BOLT.....7

C

CAP ASY - ORANGE.....7
CAP, OIL PUMP.....7
CAP, PROTECTIVE.....9
CASE, GEAR - LOWER.....7
CASE, GEAR - UPPER.....7
CIRCLIP.....7
CIRCLIP 12.....7
COLLAR.....7
CONNECTOR, CAP.....7
COVER, GUIDE BAR.....5

D

DRIVESHAFT - FLEXIBLE.....9

F

FILTER, OIL.....7
FLANGE NUT 6.....7

G

GEAR.....7
GEAR, BEVEL.....7
GEAR, WORM.....7
GRIP, HANDLE.....9
GROMMET.....7
GUARD, SPROCKET.....7
GUIDE BAR.....5

H

HOOK.....7

L

LABEL - ALIGNMENT.....9
LABEL - CAUTION.....9
LABEL - ECHO.....7
LINER.....9

M

MAIN PIPE ASY.....9

N

NEEDLE, ADJUST.....7

O

O RING.....7

P

PAD, FOAM.....7
PAS ATTACHMENT HANGER.....9
PIPE, OIL - 3X6X75mm.....7
PIPE, OIL OUTLET.....7
PLUNGER.....7

S

SAWING CHAIN.....5
SCREW 4X8.....7
SCREW 5X10.....7
SCREW 5X20.....7
SCREW 5X25.....7
SHAFT, GEAR.....7
SPACER.....7
SPRING.....7
SPROCKET, DRIVE.....7

T

TANK, OIL.....7
TENSIONER.....7
THREADED STUD 6.....7

V

VENT ASY.....7

W

WASHER.....7, 9
WASHER - RUBBER.....7



ECHO, INCORPORATED

400 Oakwood Road
Lake Zurich, IL 60047 USA

WWW.ECHO-USA.COM
