



---

**OPTIONAL ATTACHMENTS & ACCESSORIES****Fits Models**

PAS-210	Pro Attachment Series
PAS-2100	Pro Attachment Series
PAS-211	Pro Attachment Series
PAS-225	Pro Attachment Series
PAS-230	Pro Attachment Series
PAS-231	Pro Attachment Series
PAS-2400	Pro Attachment Series
PAS-260	Pro Attachment Series
PAS-2601	Pro Attachment Series
PAS-261	Pro Attachment Series
PAS-265	Pro Attachment Series
SRM-2100SB	Split-Shaft Trimmer
SRM-2101SB	Split-Shaft Trimmer
SRM-210SB	Split-Shaft Trimmer
SRM-225SB	Split-Shaft Trimmer
SRM-2400SB	Split-Shaft Trimmer
SRM-260SB	Split-Shaft Trimmer
SRM-261SB	Split-Shaft Trimmer

**PARTS CATALOG****99944200513****Cultivator Attachment****PAS Attachment****SERIAL NUMBERS**

Cultivator Attachment

**ECHO, INCORPORATED**

400 Oakwood Road Lake Zurich, Illinois 60047 USA

WWW.ECHO-USA.COM



# Table of Contents

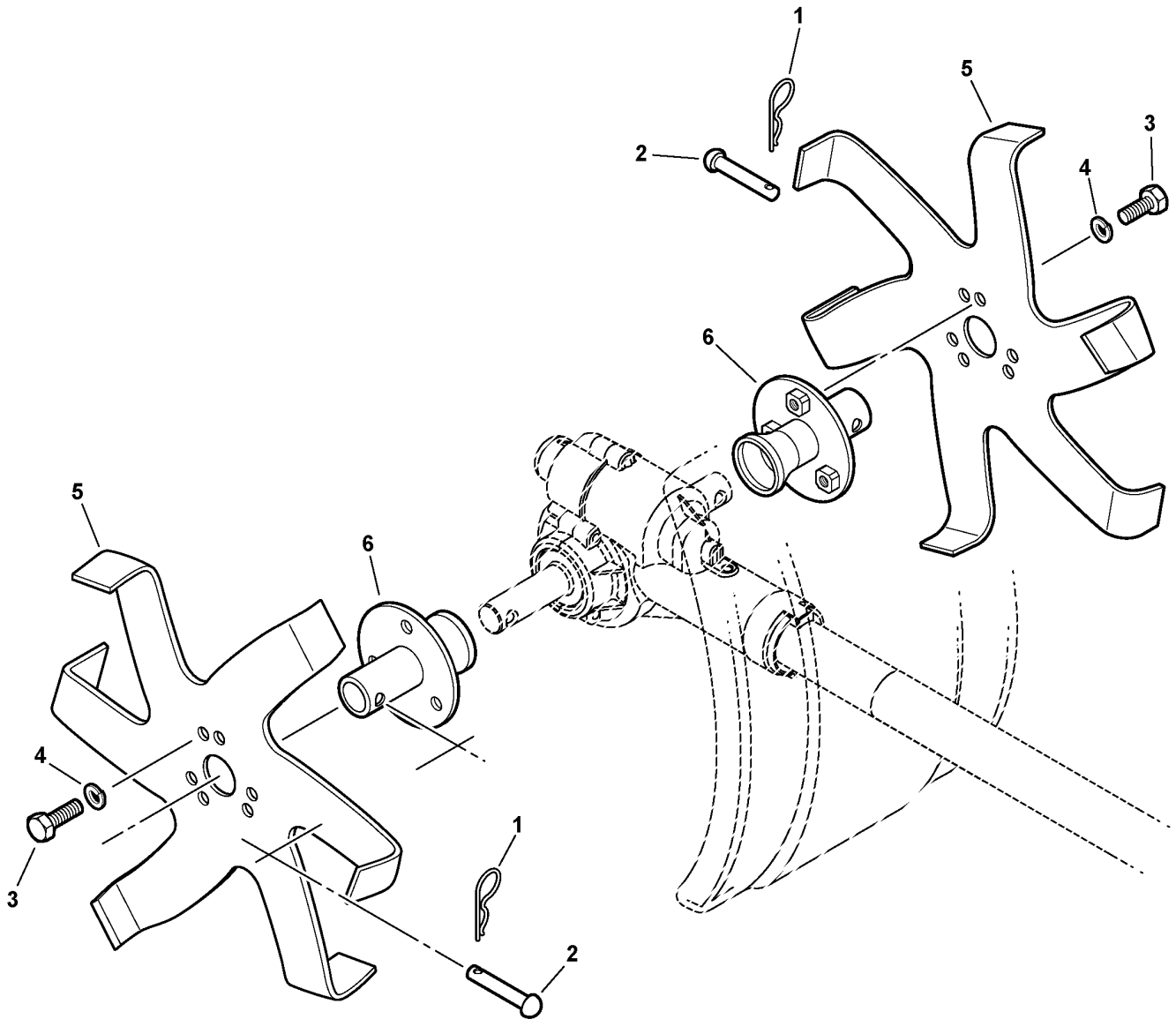
---

Click Any Diagram Description Below To View That Diagram.

## **99944200513 Cultivator Attachment**

<b>Cultivating Blades.....</b>	<b>4</b>
<b>Gear Case.....</b>	<b>6</b>
<b>Main Pipe Assembly, Shield.....</b>	<b>8</b>
<b>Part Number Index.....</b>	<b>10</b>
<b>Part Description Index.....</b>	<b>11</b>

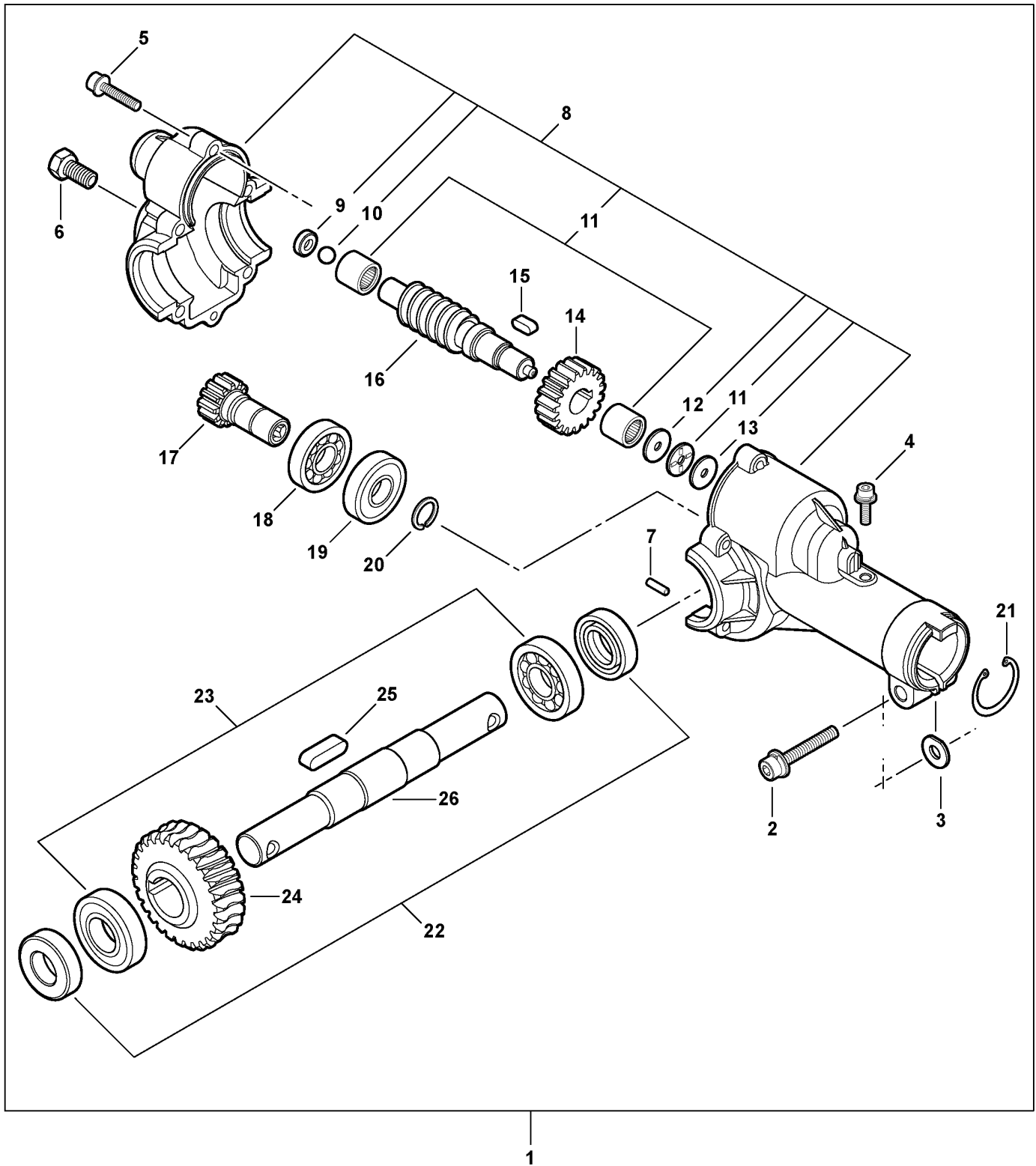
***This Page Intentionally Left Blank***



091 0001 000

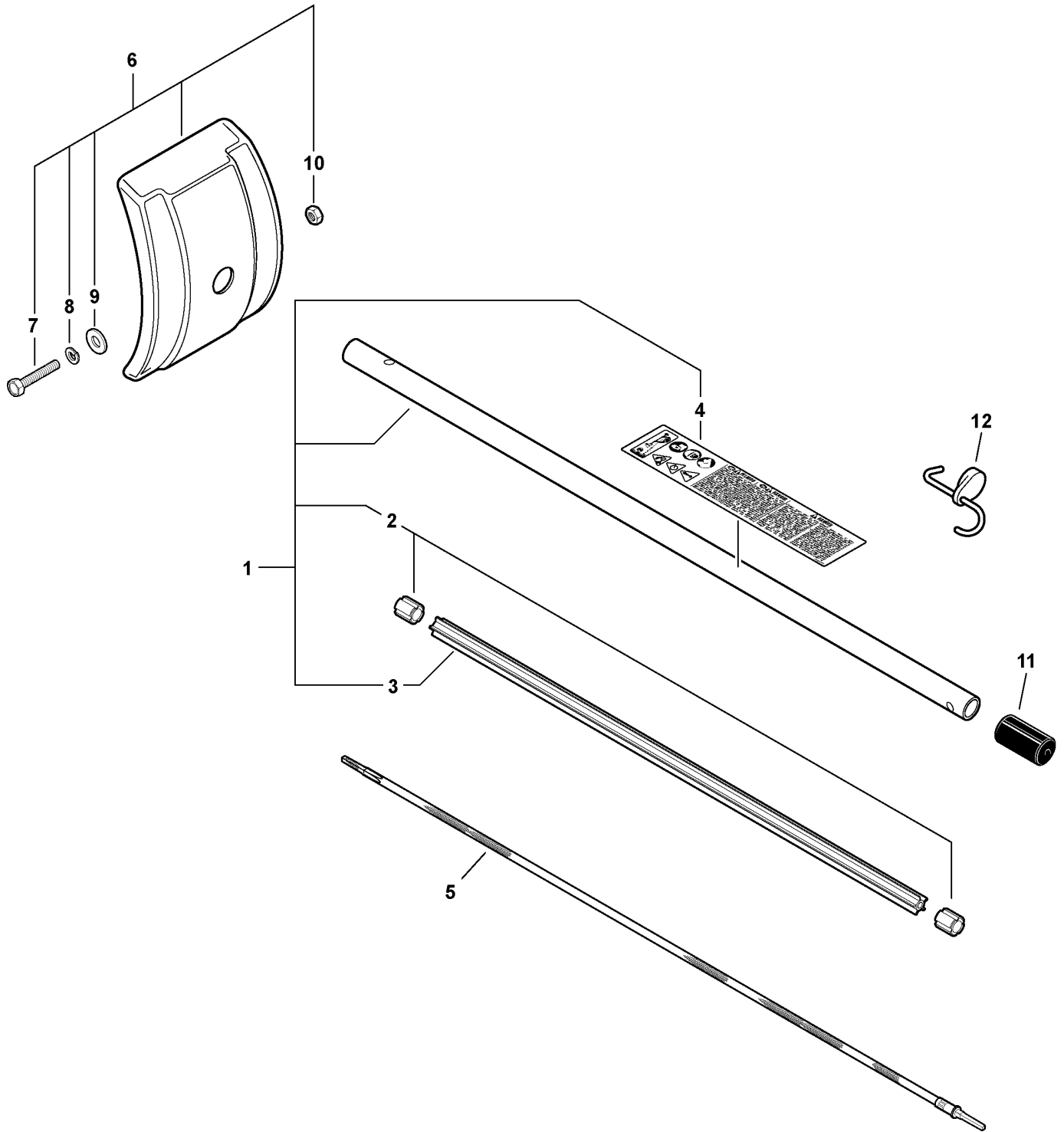
---

ITEM	PART NUMBER	QTY	DESCRIPTION	REMARKS
1	60561211050	2	HAIRPIN COTTER	
2	60561111050	2	PIN	
3	90010006010	6	BOLT 6X10	
4	90060500006	6	LOCKWASHER 6	
5	69001011050	2	BLADE, CULTIVATOR	
6	60561011050	2	HUB, BLADE	



090 0001 000

ITEM	PART NUMBER	QTY	DESCRIPTION	REMARKS
1	C051000290	1	GEAR CASE ASY	INCLUDES ITEMS 2-26
2	90016206030	1	SCREW 6X30	
3	V340000220	1	WASHER	
4	90016205012	1	SCREW 5X12	
5	90016205020	5	SCREW 5X20	
6	90010008010	1	BOLT 8X10	
7	V622000030	1	DOWEL PIN	
8	P021016400	1	GEAR HOUSING ASY	INCLUDES ITEMS 9-13
9	V376001040	1	BUSHING	
10	V585000030	1	BALL	
11	V555000060	2	BEARING, NEEDLE	
12	V340000230	2	WASHER	
13	V590000010	1	BEARING, THRUST	
14	V650000380	1	GEAR, SPUR - 19 TOOTH	
15	V381000010	1	KEY	
16	V652000060	1	GEAR, WORM	
17	V650000370	1	GEAR, SPUR - 12 TOOTH	
18	90085506901	1	BEARING, BALL - 6901	
19	90085706901	1	BEARING, BALL - 6901	
20	90070600012	1	CIRCLIP 12	
21	61033521460	1	SNAP RING 60	
22	60541611050	2	OILSEAL	
23	9400306003	2	BEARING, BALL - 6003	
24	V653000000	1	GEAR, WORM WHEEL	
25	V381000000	1	KEY	
26	C534000480	1	SHAFT, WORM WHEEL	



031 0034 000



ITEM	PART NUMBER	QTY	DESCRIPTION	REMARKS
1	C050001050	1	MAIN PIPE ASY	INCLUDES ITEMS 2-4
2	61024644730	2	STOPPER	
3	C507000240	1	LINER	
4	X505002540	1	LABEL - CAUTION	
5	C506000002	1	DRIVESHAFT - FLEXIBLE	
6	69400012050	1	SHIELD KIT	INCLUDES ITEMS 7-10
7	90010006020	1	BOLT 6X20	
8	90060500006	1	LOCKWASHER 6	
9	90060000006	1	WASHER 6	
10	90050000006	1	NUT 6	
11	35122301130	1	CAP, PROTECTIVE	
12	99944200630	1	PAS ATTACHMENT HANGER	INCLUDES 4 PER PACKAGE



# Part Number Index

Click The Page Number After Any Part Number To View The Diagram Containing That Part.

**Part Number**      **Page**

35122301130	.....9
60541611050	.....7
60561011050	.....5
60561111050	.....5
60561211050	.....5
61024644730	.....9
61033521460	.....7
69001011050	.....5
69400012050	.....9
90010006010	.....5
90010006020	.....9
90010008010	.....7
90016205012	.....7
90016205020	.....7
90016206030	.....7
90050000006	.....9
90060000006	.....9
90060500006	.....5, 9
90070600012	.....7
90085506901	.....7
90085706901	.....7
9400306003	.....7
99944200630	.....9
C050001050	.....9
C051000290	.....7
C506000002	.....9
C507000240	.....9
C534000480	.....7
P021016400	.....7
V340000220	.....7
V340000230	.....7
V376001040	.....7
V381000000	.....7
V381000010	.....7
V555000060	.....7
V585000030	.....7
V590000010	.....7
V622000030	.....7
V650000370	.....7
V650000380	.....7
V652000060	.....7
V653000000	.....7
X505002540	.....9



# Part Description Index

Click The Page Number After Any Part Description To View The Diagram Containing That Part.

## B

BALL.....7  
 BEARING, BALL - 6003.....7  
 BEARING, BALL - 6901.....7  
 BEARING, NEEDLE.....7  
 BEARING, THRUST.....7  
 BLADE, CULTIVATOR.....5  
 BOLT 6X10.....5  
 BOLT 6X20.....9  
 BOLT 8X10.....7  
 BUSHING.....7

## C

CAP, PROTECTIVE.....9  
 CIRCLIP 12.....7

## D

DOWEL PIN.....7  
 DRIVESHAFT - FLEXIBLE.....9

## G

GEAR CASE ASY.....7  
 GEAR HOUSING ASY.....7  
 GEAR, SPUR - 12 TOOTH.....7  
 GEAR, SPUR - 19 TOOTH.....7  
 GEAR, WORM.....7  
 GEAR, WORM WHEEL.....7

## H

HAIRPIN COTTER.....5  
 HUB, BLADE.....5

## K

KEY.....7

## L

LABEL - CAUTION.....9  
 LINER.....9  
 LOCKWASHER 6.....5, 9

## M

MAIN PIPE ASY.....9

## N

NUT 6.....9

## O

OILSEAL.....7

## P

PAS ATTACHMENT HANGER.....9  
 PIN.....5

## S

SCREW 5X12.....7  
 SCREW 5X20.....7  
 SCREW 6X30.....7  
 SHAFT, WORM WHEEL.....7  
 SHIELD KIT.....9

SNAP RING 60.....7  
 STOPPER.....9

## W

WASHER.....7  
 WASHER 6.....9



**ECHO, INCORPORATED**

400 Oakwood Road  
Lake Zurich, IL 60047 USA

[WWW.ECHO-USA.COM](http://WWW.ECHO-USA.COM)

---