

# INSTALLATION INSTRUCTION

## Mechanical Timer

9000-MTI-WT

WAC LIGHTING  
Responsible Lighting®

### IMPORTANT:

Read all instructions before installing.

- Do not plug this timer into an extension cord or other electrical adapter. Plug directly into an electrical outlet.
- Do not connect this timer to appliances that contain heating elements (cooking appliance, heaters, irons, etc.) Failure of the timer to shut off such device may lead to overheating and a potential fire.
- Do not plug in this timer if it is wet.
- Do not clean this timer when it is plugged in.
- Do not exceed the maximum ratings of the timer.
- Potential shock hazard:  
Keep out of reach of children.

### IMPORTANTE:

Lea todas las instrucciones antes de instalar.

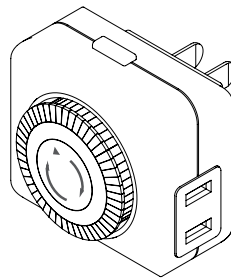
- No conecte este temporizador en un cable de extensión u otro adaptador de corriente. Conecte directamente a una toma eléctrica.
- No conecte el contador a los aparatos que contienen elementos de calefacción (de aparatos de cocina, calentadores, planchas, etc.)
- El fallo del temporizador para apagar dicho dispositivo puede provocar un sobrecalentamiento y un posible incendio.
- No conecte este temporizador si está húmedo.
- No limpie este temporizador cuando está enchufado int.
- No exceder los valores máximos del temporizador.
- Posible riesgo de descarga:  
Mantener fuera del alcance de los niños.

### IMPORTANT:

Lisez toutes les instructions avant de l'installer.

- Ne branchez pas ce temporisateur dans une rallonge ou un autre adaptateur électrique. Brancher directement dans une prise électrique.
- Ne pas relier cette minuterie pour les appareils qui contiennent éléments de chauffage (appareils de cuisson, chauffe, un fer à repasser, etc.)
- L'échec de l'horloge pour éteindre tel dispositif peut entraîner une surchauffe et un incendie.
- Ne branchez pas cette minuterie si elle est mouillée.
- Ne nettoyez pas ce temporisateur quand il est branché int.
- Ne pas dépasser les évaluations maximales de la minuterie.
- Risque d'électrocution:  
Conserver hors de la portée des enfants.

### THIS INSTRUCTIONS APPLY TO THE MODEL BELOW:



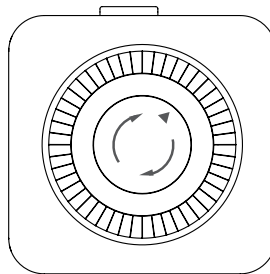
9000-MTI-WT

### 24HR MECHANICAL TIMER

Features:

- 120VAC/60Hz/15A/1800W General Purpose
- 15A Resistive/1250W Tungsten
- 1/2HP Motor Load

Fig.1



**Timer pins are factory preset in the "pushed down" ('ON') position.**

**Pull pins up to set 'OFF' intervals.**

waclighting.com

Phone (800) 526.2588

Fax (800) 526.2585

Headquarters/Eastern Distribution Center

44 Harbor Park Drive

Port Washington, NY 11050

Central Distribution Center

1600 Distribution Ct

Lithia Springs, GA 30122

Western Distribution Center

1750 Archibald Avenue

Ontario, CA 91760

# INSTALLATION INSTRUCTION

## Mechanical Timer

9000-MTI-WT

# WAC LIGHTING

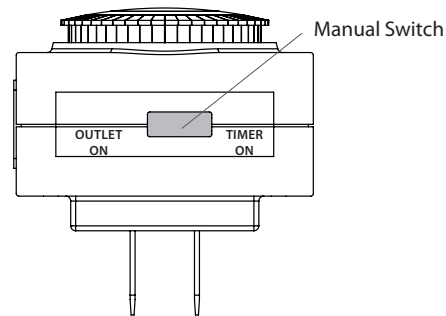
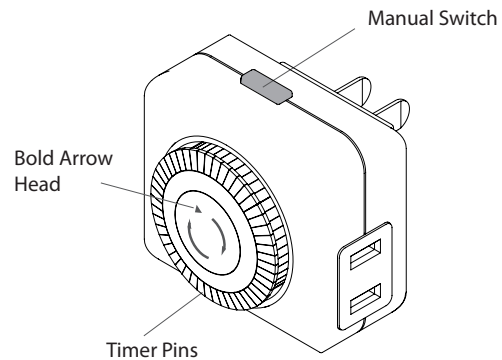
Responsible Lighting®

### INSTRUCTIONS:

1. Locate an electrical outlet that is close to the device you want to control.
2. Put the Manual Switch (in Gray Color) located on top of the unit to "TIMER ON" position and plug the timer into the outlet. (**Fig 2**)
3. Set the current time – Align "Bold Arrow Head" on front face of the timer to the present time by turning the dial in clockwise direction. (Fig.2) The lines under the numbers are in increments of 30 minutes. There is no need to touch the pins to set current time.

**Note:** There are AM (in white)/PM (in dark gray) markings.

**Fig.2**



4. The "Timer Pins are gray slices around the dial. Determine desired start time for your electrical device to be "OFF" and pull up all "Timer Pins" until desired "ON" time. (**Fig 3**)

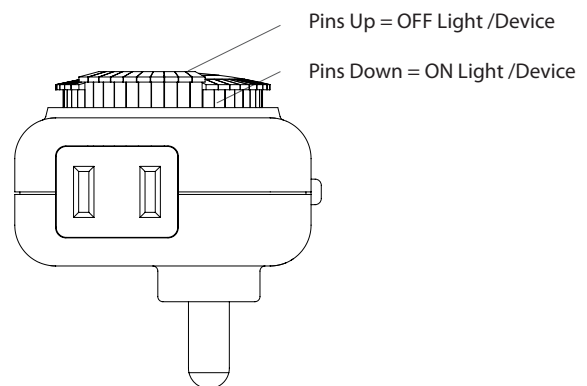
Example: To turn your electrical device "OFF" at 6am and "ON" at 6pm, pull up all the pins between 6am and 6pm.

5. Plug your electrical device directly into the timer. The electrical device must be set to "ON" position for the timer control to work properly.

### NOTES:

- You may override operation of the timer by setting the Manual Switch to "OUTLET ON" position.
- In case of power failure, reset the time of day as indicated in steps 3 above.
- Timing devices require power to function properly. If AC power to the timer is cut off, a light fixture or other device plugged into the timer will not work.

**Fig.3**



waclighting.com  
Phone (800) 526.2588  
Fax (800) 526.2585

Headquarters/Eastern Distribution Center  
44 Harbor Park Drive  
Port Washington, NY 11050

Central Distribution Center  
1600 Distribution Ct  
Lithia Springs, GA 30122

Western Distribution Center  
1750 Archibald Avenue  
Ontario, CA 91760