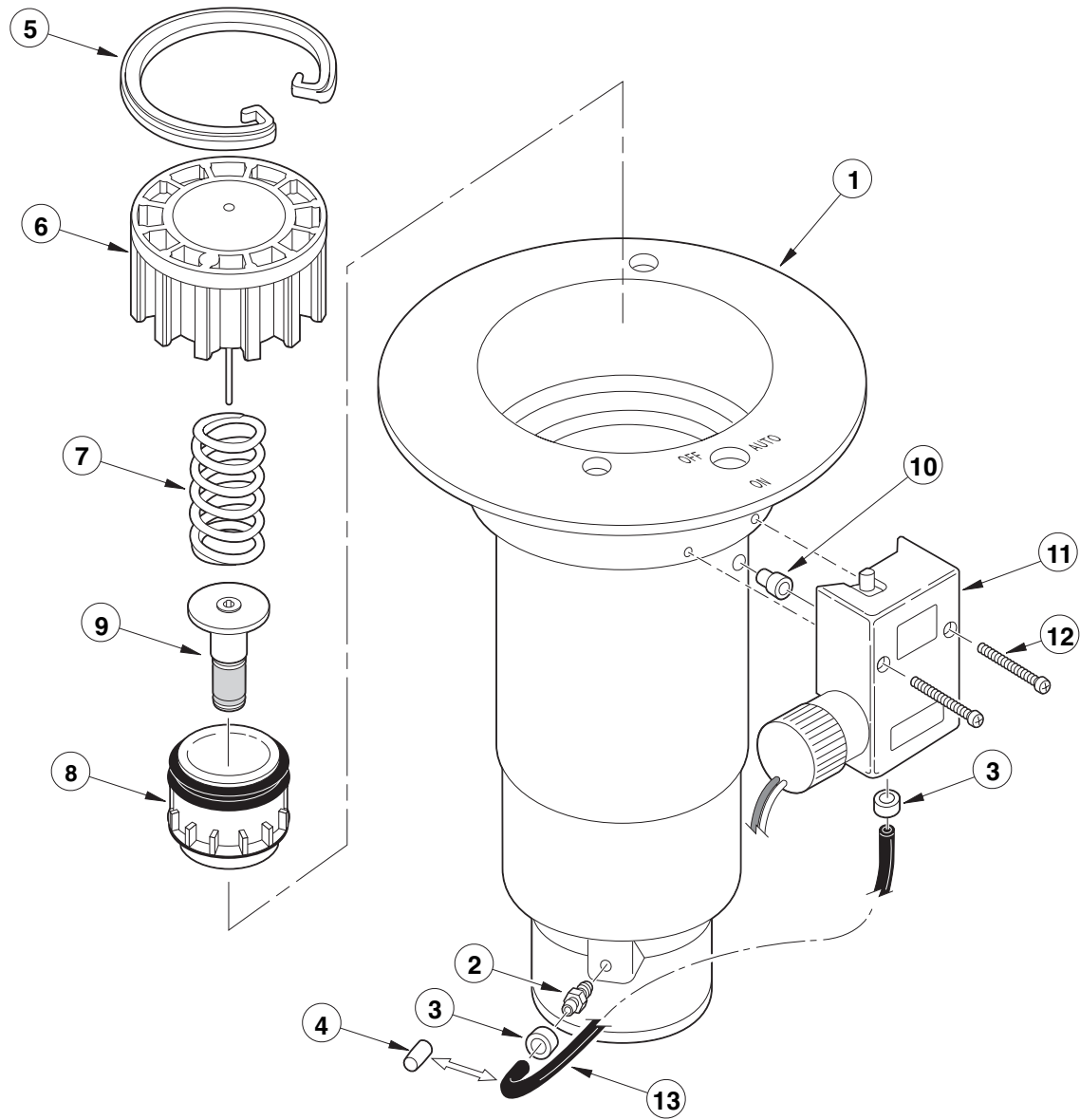


# Golf Sprinkler Body – 1.5 Inch



Item No.	Part No.	Description	Quantity Per Assy.
		<b>1.5 INCH NPT BODY STYLE</b>	
1	3-3389	Electric w/o VIH (Includes Items 1–4)	1
1	3-3343	Hydraulic NO w/o VIH (Includes Items 1–4)	1
1	9-1257	COM w/o VIH (Includes Items 1–3 & 13)	1
		<b>1.5 INCH BSP BODY STYLE</b>	
1	35-5362	Electric w/o VIH (Includes Items 1–4)	1
1	35-5322	COM w/o VIH (Includes Items 1–3 & 13)	1
1	35-5245	Hydraulic NO w/o VIH (Includes Items 1–4)	1
		<b>1.5 INCH ACME BODY STYLE</b>	
1	89-8646	Electric w/o VIH (Includes Items 1–4)	1
1	89-8652	COM w/o VIH (Includes Items 1–3 & 13)	1
1	89-8654	Hydraulic NO w/o VIH (Includes Items 1–4)	1