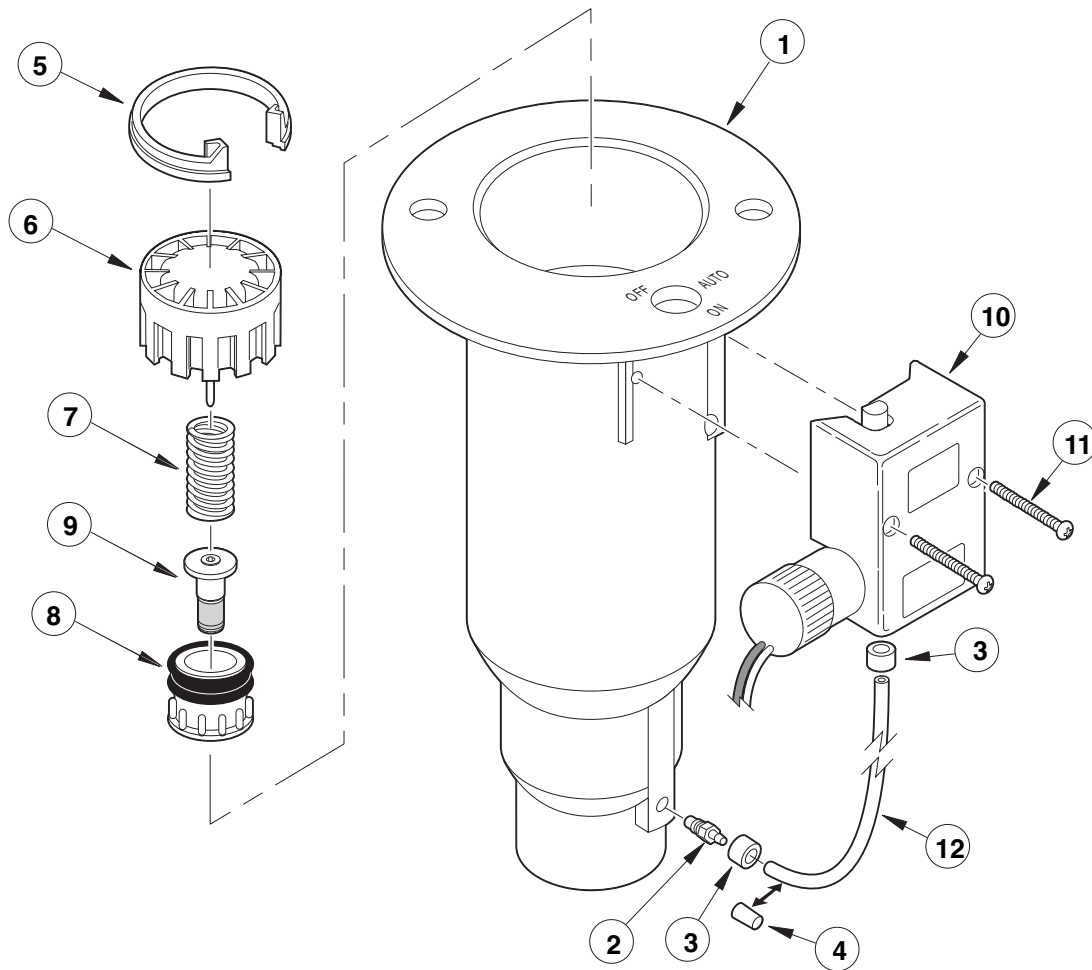


Golf Sprinkler Body — 1 Inch



Item No.	Part No.	Description	Quantity Per Assy.
		1 INCH NPT BODY STYLE	
1	35-9421	Electric w/o VIH (Includes Items 1-4)	1
1	**89-4128	Electric w/o VIH, Ribless (Includes Items 1-4)	1
1	102-0083	Electric w/VIH, 720 (Includes Items 1-9)	1
1	35-9418	Hydraulic NO w/o VIH (Includes Items 1-4)	1
1	**89-4126	Hydraulic NO w/o VIH, Ribless (Includes Items 1-4)	1
1	35-9453	COM w/o VIH (Includes Items 1-3 & 12)	1
1	**89-4127	COM w/o VIH, Ribless (Includes Items 1-3 & 12)	1
		1 INCH BSP BODY STYLE	
1	35-9386	Electric w/o VIH (Includes Items 1-4)	1
1	**89-4131	Electric w/o VIH, Ribless (Includes Items 1-4)	1
1	102-0084	Electric w/VIH, 720 (Includes Items 1-9)	1
1	35-9385	Hydraulic NO w/o VIH (Includes Items 1-4)	1
1	**89-4129	Hydraulic NO w/o VIH, Ribless (Includes Items 1-4)	1
1	35-9294	COM w/o VIH (Includes Items 1-3 & 12)	1
1	**89-4130	COM w/o VIH, Ribless (Includes Items 1-3 & 12)	1
		**Note: Ribless bodies are used with sprinklers manufactured prior to July 1993.	

Item No.	Part No.	Description	Quantity Per Assy.
		1 INCH ACME BODY STYLE	
1	89-8635	1" ACME Body Style, Electric w/o VIH (Includes Items 1–4)	1
1	102-0085	1" ACME Body Style, Electric w/VIH, 720 (Includes Items 1–9)	1
1	89-8643	1" ACME Body Style, Hydraulic NO w/o VIH (Includes Items 1–4)	1
1	89-8641	1" ACME Body Style, COM w/o VIH (Includes Items 1–3 & 12)	1
2	9-6002	Adapter, Tubing, Threaded, 1/4"	1
3	*900-40	Retainer, Tube	2
4	89-8157	Cap, Poly	1
5	89-4702	Snap Ring, Valve	1
6	9-1485	Cylinder Assy., NO & COM	1
6	9-1487	Cylinder Assy., EL & NC	1
7	3-2633	Spring, Valve, NO, EL & NC	1
7	89-5821	Spring, Valve, COM	1
8	89-1044	Piston Assy., NO & COM	1
8	89-1054	Piston Assy., EL & NC, (Includes Item 9)	1
8	102-0081	Piston Assy., EL (720 Only) (Includes Item 9)	1
9	35-9646	Filter Assy., Metering, EL & NC	1
10	- - - - -	Pilot Valve Assy. (See p. 108)	1
11	3-2696	Screw, Tap #8	2
12	9-2622	Tubing, Poly, 1/4" x 6 1/4", EL & NC	1
12	9-1876	Tubing, Poly, 1/4" x 12", COM	1
		SERVICE ITEMS	
	89-1046	Valve Assy., NO (Includes Items 6–8)	
	89-1047	Valve Assy., COM (Includes Items 6–8)	
	89-1048	Valve Assy., EL, NC (Includes Items 6–9)	
	102-0082	Valve Assy., EL, 720 (Includes Items 6–9)	
	9-7271	Adapter, 1/4" Poly (Oversize Thread)	
		* Order Through Finished Goods Distribution System–Minneapolis	