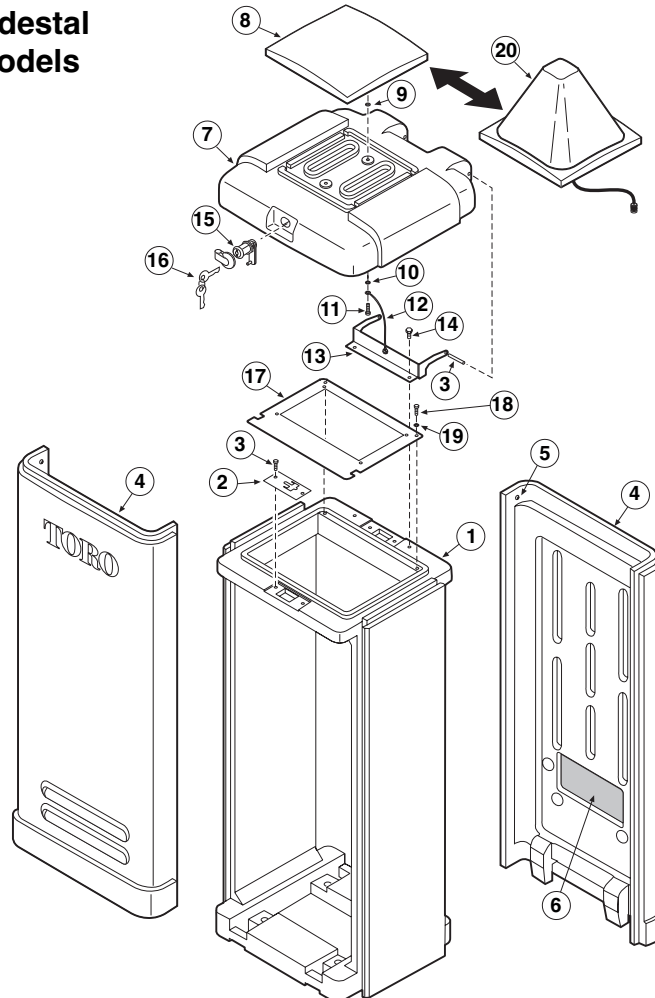
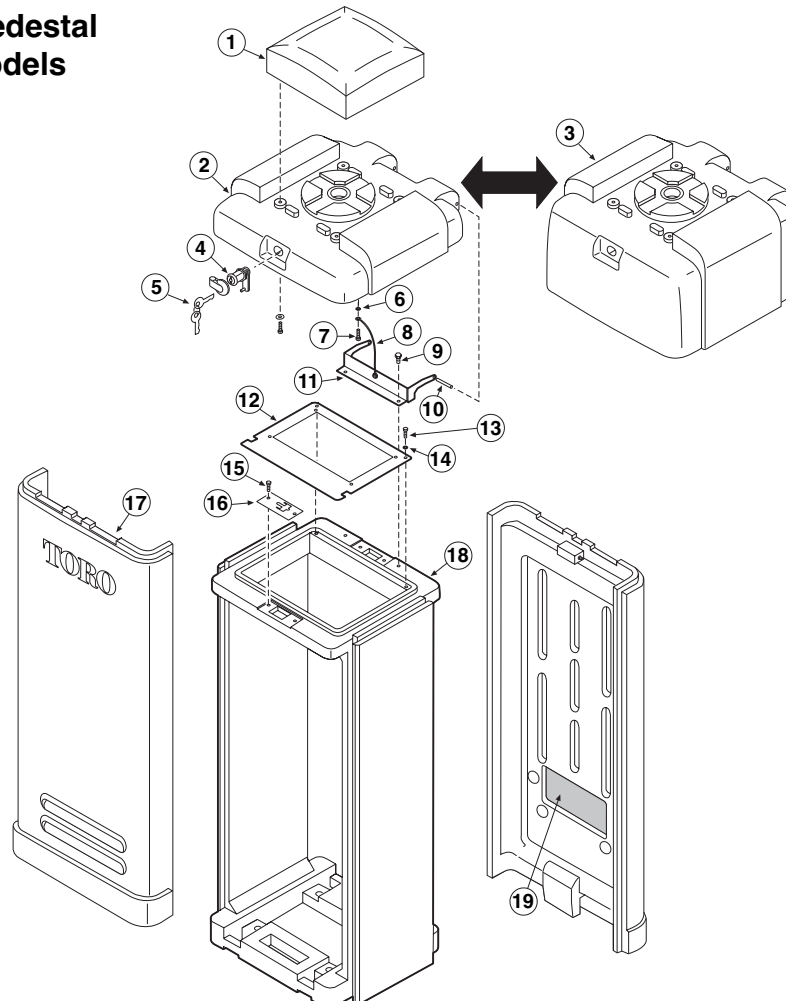


Plastic Satellite Pedestal 2006 and Earlier Models



Item No.	Part No.	Description	Quantity Per Assy.
1	-----	Base, Plastic Pedestal (See Service Item 89-8348)	1
2	-----	Plate, Locking	1
3	363-5334	Screw, #10-32 x 3/4", SST	2
4	-----	Door, Plastic Pedestal (See Service Item 89-8347)	2
5	-----	Detent Latch Assy., Door (See Service Item 89-8347)	2
6	-----	Air Filter, Foam (See Service Item 89-8347)	2
7	-----	Cover, Plastic, Standard (See Service Item 89-8345)	1
8	-----	Cap, Vent (See Service Item 89-8355)	1
9	-----	Washer, Silicone (See Service Item 89-8355)	2
10	-----	Washer, Flat (See Service Item 89-8355)	2
11	363-3438	Screw, machine, #10-32 x 3/4", SST	1
12	102-3086	Cable, Restraining	1
13	-----	Hinge, Cover (See Service Item 89-8345)	1
14	360-0595	Screw, Machine, 1/4-20 x 1/2", SST	2
15	-----	Lock Assy. (See Service Item 89-8346)	1
16	360-0565	Keys, Lock (Golf #1382)	2
17	102-0664	Plate, Face	1
18	363-3541	Screw, Trim, #6	2
19	363-3542	Washer, Finish, #6	2
20	102-3126	Dome Antenna Assy., Used in VP / LTC+ and E-OSMAC (2006 and Later Models)	
		SERVICE ITEMS	
	89-8348	Base Assy., Service (Includes Items 1–3)	
	89-8347	Door Assy., Service (Includes Items 4–6)	
	89-8345	Cover Assy., Standard, Service (Includes Items 7–16)	
	89-8355	Vent Cap Assy., Service (Includes Items 8–11)	
	89-8346	Lock Kit, Service (Includes Item 15, 16 & Lock Cover)	

Plastic Satellite Pedestal 2006 and Later Models



Item No.	Part No.	Description	Quantity Per Assy.
1	-----	Cap, Vent	1
2	102-6147	Cover, Plastic, Enhanced	1
3	-----	Cover, Plastic, Enhanced, RDR	1
4	-----	Lock Assy. (See Service Item 89-8346)	1
5	360-0565	Keys, Lock (See Service Item 360-0565)	2
6	-----	Washer, Flat	2
7	363-3438	Screw, machine, #10-32 x 3/4", SST	1
8	102-3086	Cable, Restraining	1
9	360-0595	Screw, Machine, 1/4-20 x 1/2", SST	2
10	363-5334	Screw, #10-32 x 3/4", SST	2
11	-----	Hinge, Cover	1
12	102-0664	Plate, Face	1
13	363-3541	Screw, Trim, #6	2
14	363-3542	Washer, Finish, #6	2
15	363-3707	Screw, #10-32 x 3/4", SST	2
16	102-6155	Plate, Locking	1
17	102-6146	Door, Plastic Pedestal, Enhanced	2
18	102-4775	Base, Plastic Pedestal, Enhanced	1
19	-----	Air Filter, Foam	2
		SERVICE ITEMS	
	102-6144SK	Kit, Service, Pedestal, Complete	
	102-4775SK	Kit, Service, Base, Pedestal (Includes Items 15, 16 & 18)	
	102-6146SK	Kit, Service, Door, Pedestal (Includes Items 17 & 19)	
	102-6147SK	Kit, Service, Cover, Pedestal, Short (Includes Items 1-11)	
	102-4778SK	Kit, Service, Cover, Vent (Includes Item 1)	
	89-8346	Kit, Service, Lock (Includes Item 4, 5 & Lock Cover)	