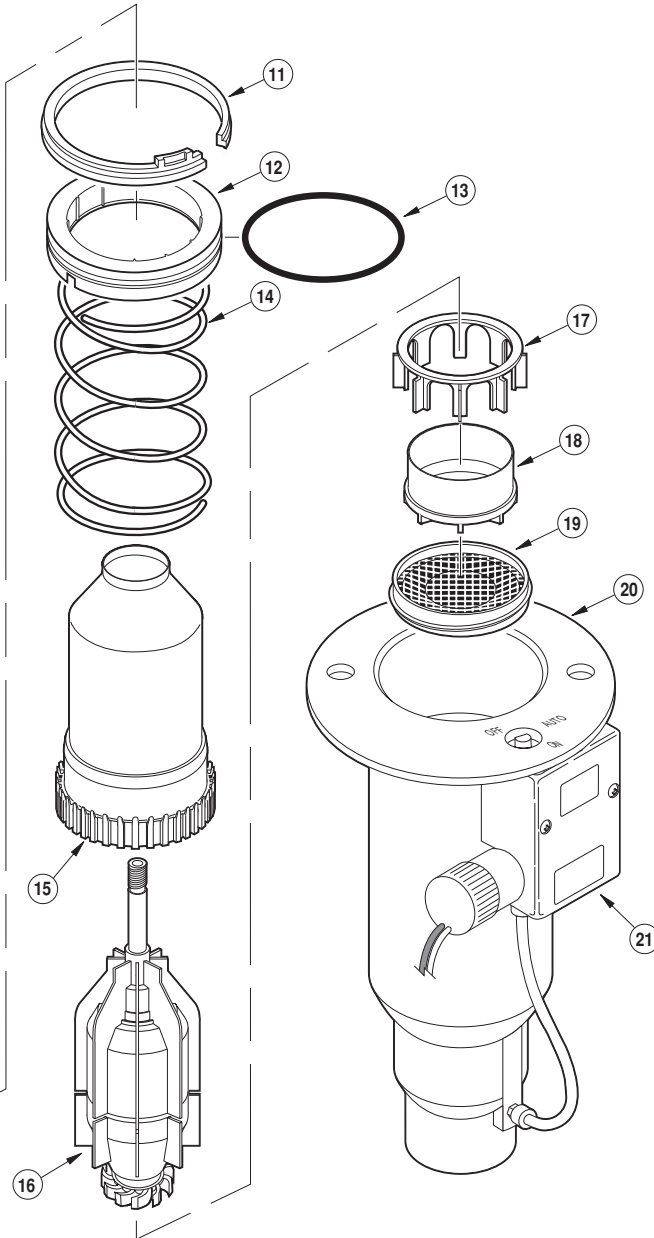
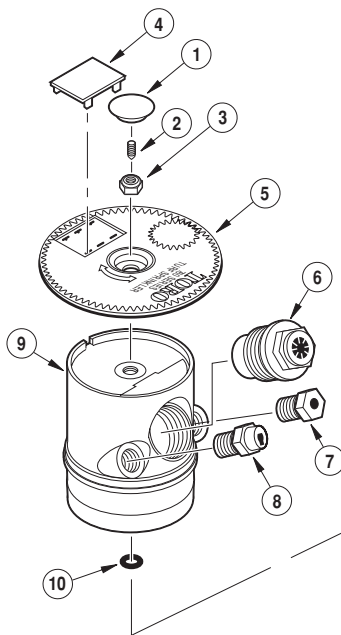
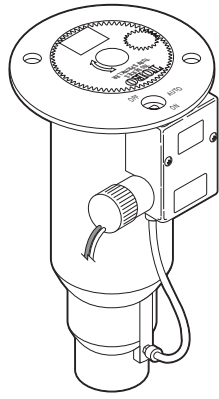
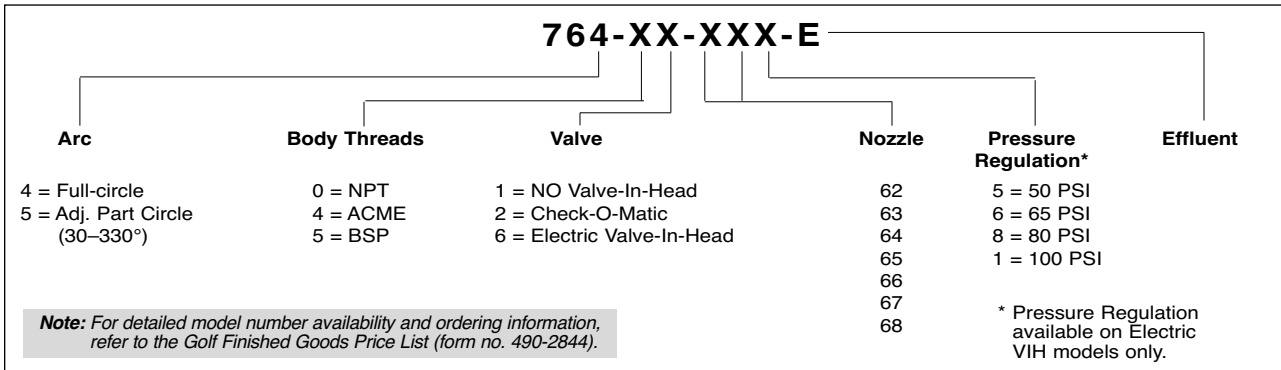


760 Series

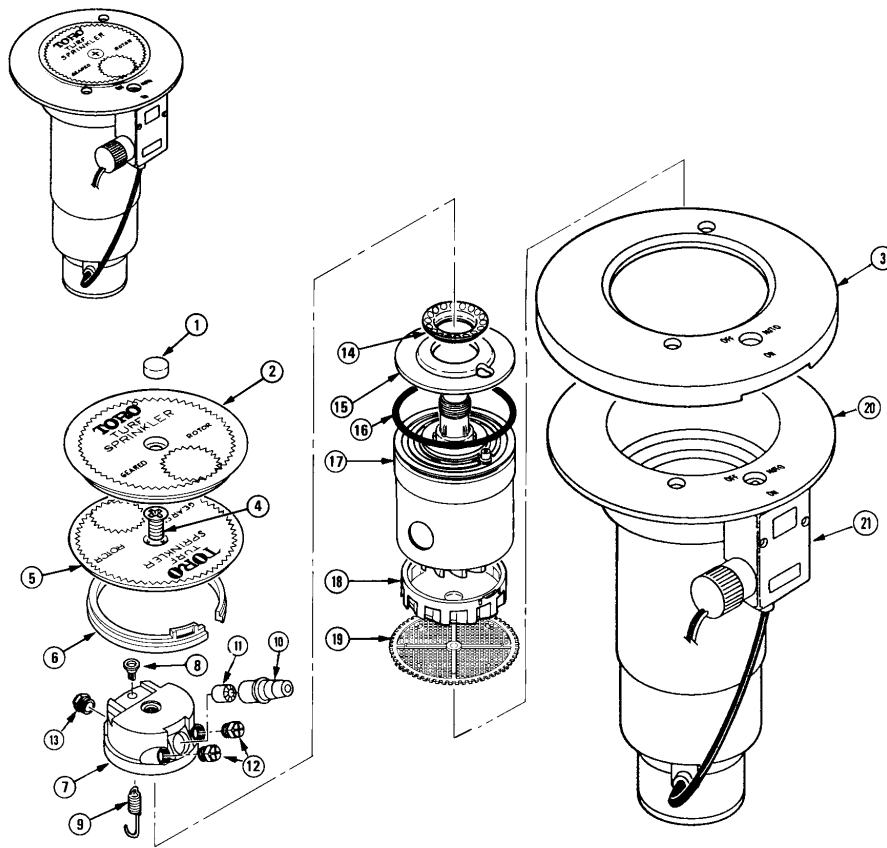


Model Number Information



| Item No. | Part No. | Description | Quantity Per Assy. |
|----------|----------|---|--------------------|
| 1 | 89-1220 | Plug, Adjustment | 1 |
| 2 | 363-3150 | Screw, Set, 10-32 x .250 (PC Models Only) | 1 |
| 3 | 363-4039 | Nut, 5/16-24 w/Nylon Lock | 1 |
| 4 | 89-1589 | Plug, Cap | 1 |
| 5 | 89-1952 | Cap, 760 | 1 |
| 5 | 89-8287 | Cap, Effluent | 1 |
| 6 | 89-1925 | Nozzle, Main, 62 Yellow | 1 |
| 6 | 89-1926 | Nozzle, Main, 63 Blue | 1 |
| 6 | 89-1927 | Nozzle, Main, 64 Brown | 1 |
| 6 | 89-1928 | Nozzle, Main, 65 Orange | 1 |
| 6 | 89-1929 | Nozzle, Main, 66 Green | 1 |
| 6 | 89-1930 | Nozzle, Main, 67 Gray | 1 |
| 6 | 89-1931 | Nozzle, Main, 68 Black | 1 |
| 7 | 102-2105 | Nozzle Intermediate, Blue (Use with #62 Yellow and #63 Blue Main Nozzles) | 1 |
| 7 | 102-0608 | Nozzle, Intermediate, Orange (Use with #64 Brown Main Nozzle) | 1 |
| 7 | 102-0609 | Nozzle Intermediate, Gray (Use with #65 Orange Main Nozzle) | 1 |
| 7 | 102-0610 | Nozzle, Intermediate, Red (Use with #66 Green and #67 Gray Main Nozzles) | 1 |
| 7 | 102-0823 | Nozzle, Intermediate, Beige (Use with #68 Main Nozzle) | 1 |
| 8 | 102-2980 | Nozzle Assy., Inner, Red w/Restrictor | 1 |
| 9 | 89-1906 | Nozzle Base Assy., 760/780 | 1 |
| 9 | 102-0057 | Nozzle Base Assy., 760/780 w/Back Nozzle (Includes 89-3729 Nozzle, Inner 85 Orange and 89-4650 Restrictor) | 1 |
| 10 | 360-0107 | O-Ring | 1 |
| 11 | 89-1385 | Snap Ring | 1 |
| 12 | 102-0134 | Retainer, Seal, 1.0" | 1 |
| 13 | 363-4102 | O-Ring, Body | 1 |
| 14 | 89-6307 | Spring, Return | 1 |
| 15 | 89-6360 | Riser Assy., 760 | 1 |
| 16 | 102-4497 | Drive Assy., PC, 12-Pack | 1 |
| 16 | 102-4496 | Drive Assy., FC, 12-Pack | 1 |
| 17 | 89-1958 | Stator Support | 1 |
| 18 | 89-1957 | Stator, Variable | 1 |
| 19 | 89-1588 | Screen, 760/780 | 1 |
| 20 | ----- | Body Assembly (See p. 100) | 1 |
| 21 | ----- | Pilot Valve Assembly (See p. 108) | 1 |
| | | SERVICE ITEMS | |
| | 363-3125 | Nozzle, Main, Blank, Black | |
| | 102-0840 | Nozzle, Inner/Intermediate, Blank, Red | |
| | 89-4651 | Nozzle, Inner, 62 Yellow (Pre-November 2003) | |
| | 89-3942 | Nozzle, Inner, 63 Blue (Pre-November 2003) | |
| | 89-4652 | Nozzle, Inner, 64 Brown (Pre-November 2003) | |
| | 89-3729 | Nozzle, Inner, 65 Orange (Pre-November 2003) | |
| | 89-4653 | Nozzle, Inner, 66 Green (Pre-November 2003) | |
| | 89-1879 | Nozzle, Inner, 67 Gray (Pre-November 2003) | |
| | 89-4654 | Nozzle, Inner, 68 Black (Pre-November 2003) | |
| | 89-4649 | Restrictor, (62 & 63 Black) (Pre-November 2003) | |
| | 89-4650 | Restrictor, (64-68 White) (Pre-November 2003) | |
| | 89-4735 | Yardage Marker, Yellow (10 Sheets Per Pack) | |
| | | SERVICE TOOLS | |
| | 995-08 | Valve Removal Tool | |
| | 995-15 | Selector Tool (Flag Tool) | |
| | 995-55 | Riser Hold-up Tool | |
| | 995-76 | Valve Insertion Tool | |
| | 995-79 | Nut Driver, 7/16" (For Inner & Intermediate Nozzles) | |
| | 995-80 | Nut Driver, 1/2" (For 363-4039 Lock Nut) | |
| | 995-81 | Nut Driver, 9/16" (For Main Nozzle) | |
| | 995-82 | Arc Adjustment Tool 3/32" (T-handle Hex Wrench) | |
| | 995-83 | Multi-purpose Tool | |
| | 995-85 | Riser Removal Tool | |
| | 995-100 | Valve Snap Ring Pliers with Screen Remover | |
| | | * Order Through Finished Goods Distribution System--Minneapolis | |

650 Series



Model Number Information

65X-XX-XXX

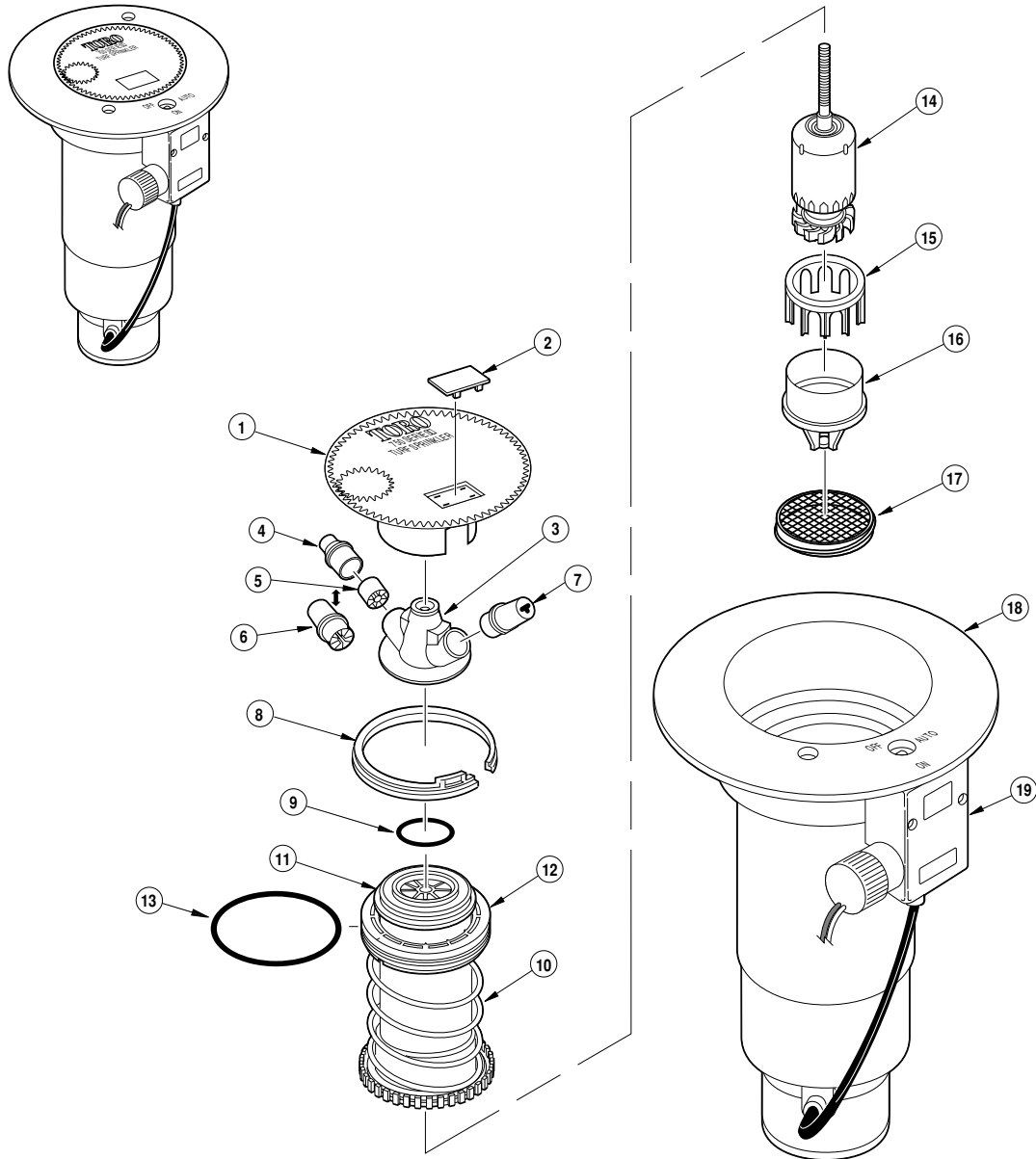
| Arc | Body Threads | Valve | Nozzle | Pressure Regulation * |
|---|--------------|----------------------------|--------|-----------------------|
| § 1 = Quarter-circle | 0 = NPT | 1 = NO Valve-In-Head | 54 | 5 = 50 PSI |
| § 2 = Half-circle | 5 = BSP | 2 = Check-O-Matic | 55 | 6 = 50 PSI |
| § 4 = Full-circle | | 6 = Electric Valve-In-Head | 56 | 8 = 80 PSI |
| § 5 = Adj. Part-circle (45-315°) | | | 57 | 1 = 100 PSI |
| 6 = Full-circle, 2-speed, In-line (60-120°) | | | 58 | |
| 8 = Full-circle, 2-speed, (180-180°) | | | 59 | |

* Pressure Regulation available on Electric VIH models only.
§ Pre-1998 models only.

| Item No. | Part No. | Description | Quantity Per Assy. |
|----------|----------|---|--------------------|
| 1 | 3-2095 | Plug, Cap, Rubber Cover | 1 |
| 2 | 35-8563 | Cap Assy., Rubber Cover | 1 |
| 3 | 9-5355 | Rubber cover, Rounded Flange, (See Service Item 650-02) | 1 |
| 4 | 3-2510 | Screw, Machine, 5/16-18 x 11/16" | 1 |
| 5 | 89-8461 | Cap | 1 |
| 6 | 35-6119 | Ring, Snap, Drive Assembly | 1 |
| 7 | ----- | Nozzle Base Assy., 656 (See Service Item 35-7638) | 1 |
| 7 | ----- | Nozzle Base Assy., 658 (See Service Item 35-4853) | 1 |
| 8 | 35-5846 | Retainer, Spring | 1 |
| 9 | 35-6289 | Spring, Nozzle | 1 |
| 10 | 35-7658 | Nozzle, Main, #54 (Includes Item 11) | 1 |
| 10 | 35-7659 | Nozzle, Main, #55 (Includes Item 11) | 1 |
| 10 | 35-7660 | Nozzle, Main, #56 (Includes Item 11) | 1 |
| 10 | 35-7661 | Nozzle, Main, #57 (Includes Item 11) | 1 |
| 10 | 35-7662 | Nozzle, Main, #58 (Includes Item 11) | 1 |
| 10 | 35-9839 | Nozzle, Main, #59 | 1 |

| Item No. | Part No. | Description | Quantity Per Assy. |
|----------|----------|--|--------------------|
| 11 | 89-5819 | Insert, Nozzle (Not Used with #59 Nozzle) | 1 |
| 12 | 89-3942 | Nozzle, Inner, Blue | 1 |
| 12 | 89-4738 | Nozzle, Inner, Red | 1 |
| 13 | 89-4785 | Nozzle, Back, Green (658 Models Only) | 1 |
| 14 | 9-2735 | Collar, Spring | 1 |
| 15 | 3-2093 | Plate, Retainer | 1 |
| 16 | 363-4103 | O-Ring, Paraffin, AS-568 234 | 1 |
| 17 | 89-4772 | Drive Assy., 651, 54-57 Nozzles, 90° (Color Coded Green) (Includes Items 14 & 15) | 1 |
| 17 | 89-4782 | Drive Assy., 651, 58-59 Nozzles, 90° (Color Coded Green) (Includes Items 14 & 15) | 1 |
| 17 | 89-4773 | Drive Assy., 652, 54-57 Nozzles, 180° (Color Coded Blue) (Includes Items 14 & 15) | 1 |
| 17 | 89-4783 | Drive Assy., 652, 58-59 Nozzles, 180° (Color Coded Blue) (Includes Items 14 & 15) | 1 |
| 17 | 89-4774 | Drive Assy., 654, 54-57 Nozzles, FC Includes Items 14 & 15) | 1 |
| 17 | 89-1294 | Drive Assy., 654, 58-59 Nozzles, FC (Includes Items 14 & 15) | 1 |
| 17 | 89-4775 | Drive Assy., 655, 54-57 Nozzles, PC 45–315° (Includes Items 14 & 5) | 1 |
| 17 | 89-0645 | Drive Assy., 655, 58-59 Nozzles, PC 45–315° (Includes Items 14 & 15) | 1 |
| 17 | 89-4842 | Drive Assy., 656, 54-57 Nozzles, 2-speed 60–120° (Color Coded Red) (Incl. Items 14 & 15) | 1 |
| 17 | 89-1295 | Drive Assy., 656, 58-59 Nozzles, 2-speed 60–120° (Color Coded Red) (Incl. Items 14 & 15) | 1 |
| 17 | 89-4843 | Drive Assy., 658, 54-57 Nozzles, 2-speed 180–180° (Color Coded Yellow) (Incl. Items 14–15) | 1 |
| 17 | 89-1296 | Drive Assy., 658, 58-59 Nozzles, 2-speed 180–180° (Color Coded Yellow) (Incl. Items 14 & 5) | 1 |
| 18 | 9-5187 | Stator, 34/59 (Used with 651-59, 652-59, 654-59, 655-59, 656-59, & 658-59) | 1 |
| 18 | 9-5188 | Stator, 54 (Used with 651-54, 652-54, 654-54, 655-54, 656-54 & 658-54) | 1 |
| 18 | 9-5186 | Stator, 55/56 (Used with 651-55, 652-55, 654-55, 655-55, 656-55, 658-55, 651-56, 652-56, 654-56, 655-56, 656-56, & 658-56) | 1 |
| 18 | 9-5190 | Stator, 57 (Used with 651-57, 652-57, 654-57, 655-57, 656-57, & 658-57) | 1 |
| 18 | 9-5192 | Stator, 58 (Used with 651-58, 652-58, 654-58, 655-58, 656-58 & 658-58) | 1 |
| 19 | 35-1106 | Screen, Molded | 1 |
| 20 | ----- | Body Assy. (See p. 104) | 1 |
| 21 | ----- | Pilot Valve Assembly (See p. 108) | 1 |
| | | SERVICE ITEMS | |
| | 650-02 | Kit, Rubber Cover (Includes Items 1–3) | |
| | 35-7638 | Nozzle Assy., w/o Main Nozzle, 650 (Includes Items 4, 5, 7, 8, 9 and 12) | |
| | 89-4795 | Nozzle Assy., w/o Main Nozzle and Cap, 650 (Includes Items 7, 8, 9 and 12) | |
| | 89-4852 | Nozzle Assy., w/o Main Nozzle, 658 (Includes Items 4, 5, 7, 8, 9, 12 and 13) | |
| | 89-4853 | Nozzle Assy., w/o Main Nozzle and Cap, 658 (Includes Items 7, 8, 9, 12 and 13) | |
| | 102-0840 | Nozzle, Inner/Intermediate, Blank, Red | |
| | 363-3397 | Plug, DA, 7/16", 52-57 Nozzles | |
| | 363-3398 | Plug, DA, 13/16", 58-59 Nozzles | |
| | | SERVICE TOOLS | |
| | 995-09 | Valve Removal Tool | |
| | 995-06 | Drive Assembly Extraction Tool | |
| | 995-15 | Selector Tool (Flag Key) | |
| | 995-16 | Riser Pliers | |
| | 995-18 | Spring Collar Installation Tool | |
| | 995-79 | Nut Driver 7/16" (For Inner Nozzle) | |
| | 995-83 | Multi-purpose Tool | |
| | 995-100 | Valve Snap Ring Pliers with Screen Remover | |
| | 995-101 | Valve Insertion Tool | |
| | | * Order Through Finished Goods Distribution System—Minneapolis | |

750 Series



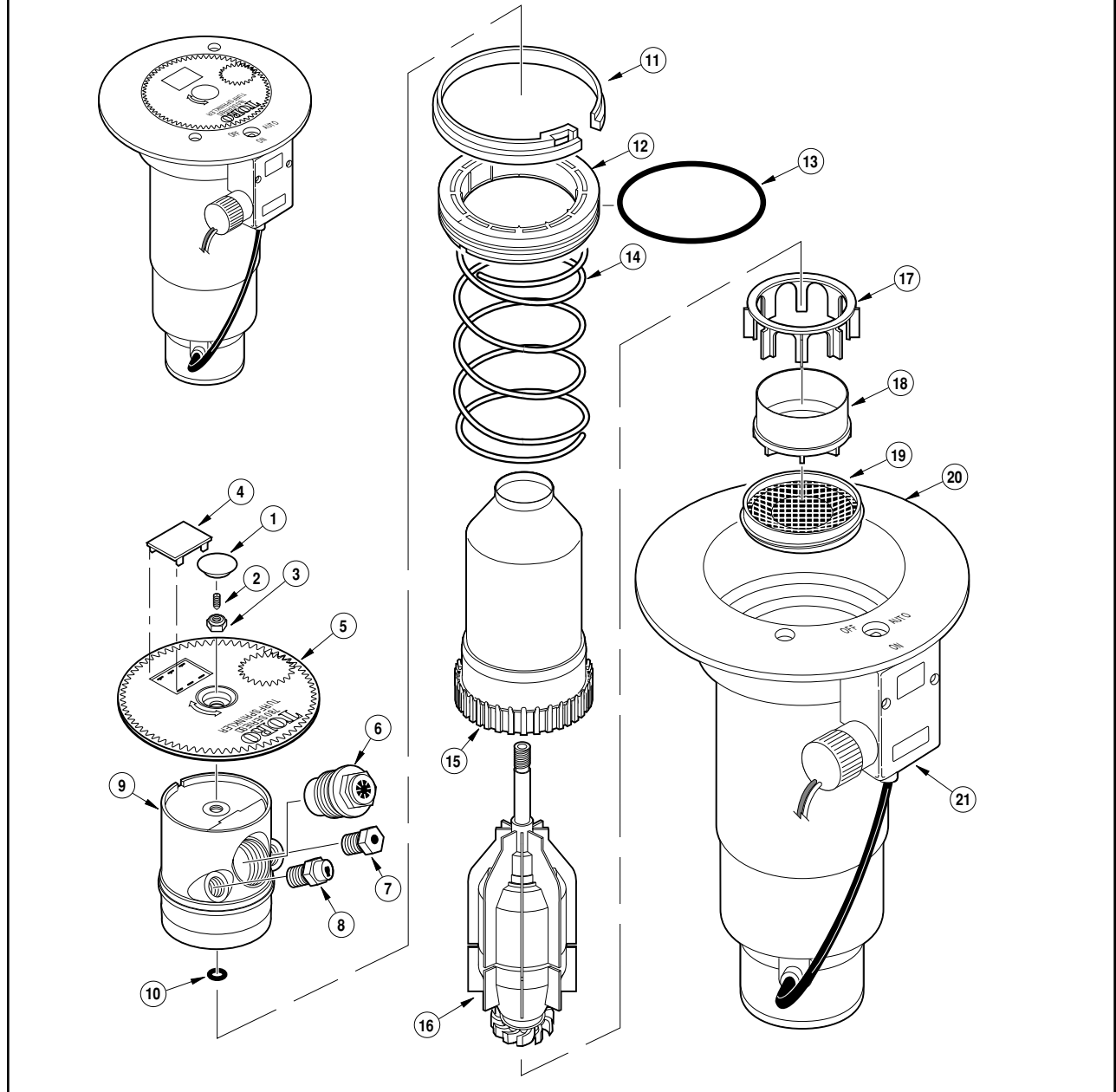
Model Number Information

| 754-XX-XXX | | | | |
|-----------------|--------------------------------|---|--|---|
| Arc | Body Threads | Valve | Nozzle | Pressure Regulation* |
| 4 = Full-circle | 0 = NPT 4 = ACME 5 = BSP | 1 = NO Valve-In-Head 2 = Check-O-Matic 6 = Electric Valve-In-Head | 52 53 54 55 56 57 58 59 | 5 = 50 PSI 6 = 65 PSI 8 = 80 PSI 1 = 100 PSI |

* Pressure Regulation available on Electric VIH models only.

| Item No. | Part No. | Description | Quantity Per Assy. |
|----------|----------|--|--------------------|
| 1 | 89-4812 | Cap | 1 |
| 1 | 89-8290 | Cap, Effluent | 1 |
| 2 | 89-1589 | Plug, Cap (Black) | 1 |
| 3 | 89-8907 | Nozzle Base Assy. (Includes Nozzle Base and Insert Bearing) | 1 |
| 4 | 89-8781 | Nozzle, Main, 52, Orange, Short (Includes Item 5) | 1 |
| 4 | 89-8782 | Nozzle, Main, 53, Brown, Short (Includes Item 5) | 1 |
| 4 | 89-8783 | Nozzle, Main, 54, Blue, Short (Includes Item 5) | 1 |
| 4 | 89-8969 | Nozzle, Main, 55, Green, Long (Includes Item 5) | 1 |
| 5 | 9-4098 | Insert, Nozzle | 1 |
| 6 | 89-8701 | Nozzle, Main, 56, Red, Long | 1 |
| 6 | 89-8702 | Nozzle, Main, 57, Gray, Long | 1 |
| 6 | 89-8614 | Nozzle, Main, 58, Beige, Long | 1 |
| 6 | 89-8615 | Nozzle, Main, 59, Black, Long | 1 |
| 7 | 89-8715 | Nozzle, Inner, 52-54, Red | 1 |
| 7 | 89-8373 | Nozzle, Inner, 55-59, Black | 1 |
| 8 | 35-6119 | Snap Ring, Head | 1 |
| 9 | 363-4167 | O-Ring | 1 |
| 10 | ----- | Riser Assy. (See Service Item 89-7563) | 1 |
| 11 | 89-1386 | Retainer, Riser | 1 |
| 12 | ----- | Retainer, Spring (See Service Item 89-4352) | 1 |
| 13 | 363-4103 | O-Ring | 1 |
| 14 | 102-4502 | Drive Assy., 12-Pack | 1 |
| 15 | 89-1390 | Housing, Stator | 1 |
| 16 | 89-9636 | Stator, Variable, 754-52-55 (Manila) | 1 |
| 16 | 89-9637 | Stator, Variable, 754-56 (Black) | 1 |
| 16 | 89-9622 | Stator, Variable, 754-57 (Green) | 1 |
| 16 | 89-9954 | Stator, Variable, 754-58-59 (Red) | 1 |
| 17 | 89-6495 | Screen | 1 |
| 18 | ----- | Body Assy. (See p. 104) | 1 |
| 19 | ----- | Pilot Valve Assy. (See p. 108) | 1 |
| | | SERVICE ITEMS | |
| | 89-8916 | Nozzle Assy., 754-52, Orange (Includes Items 1-5 & 7) | |
| | 89-8917 | Nozzle Assy., 754-53, Brown (Includes Items 1-5 & 7) | |
| | 89-8918 | Nozzle Assy., 754-54, Blue (Includes Items 1-5 & 7) | |
| | 89-8919 | Nozzle Assy., 754-55, Green (Includes Items 1-3 & 5-7) | |
| | 89-8920 | Nozzle Assy., 754-56, Red (Includes Items 1-3, 6 & 7) | |
| | 89-8921 | Nozzle Assy., 754-57, Gray (Includes Items 1-3, 6 & 7) | |
| | 89-8922 | Nozzle Assy., 754-58, Beige (Includes Items 1-3, 6 & 7) | |
| | 89-8926 | Nozzle Assy., 754-59, Black (Includes Items 1-3, 6 & 7) | |
| | 89-4352 | Seal Kit, 750 (Includes Items 11-13) | |
| | 89-7563 | Riser Assy. w/Screen (Includes Items 10-13 & 17) | |
| | 35-4557 | Screen, Press-in Type (Pre-9/94 Production) | |
| | ----- | Support, Screen (Use with 35-4557 Screen) | |
| | 89-4735 | Yardage Marker, Yellow (10 Sheets Per Pack) | |
| | | SERVICE TOOLS | |
| | 995-09 | Valve Removal Tool | |
| | 995-15 | Selector Tool (Flag Key) | |
| | 995-55 | Riser Hold-up Tool | |
| | 995-83 | Multi-purpose Tool | |
| | 995-85 | Riser Removal Tool | |
| | 995-101 | Valve Insertion Tool | |
| | 995-100 | Valve Snap Ring Pliers with Screen Remover | |
| | | | |
| | | * Order Through Finished Goods Distribution System—Minneapolis | |

780 Series



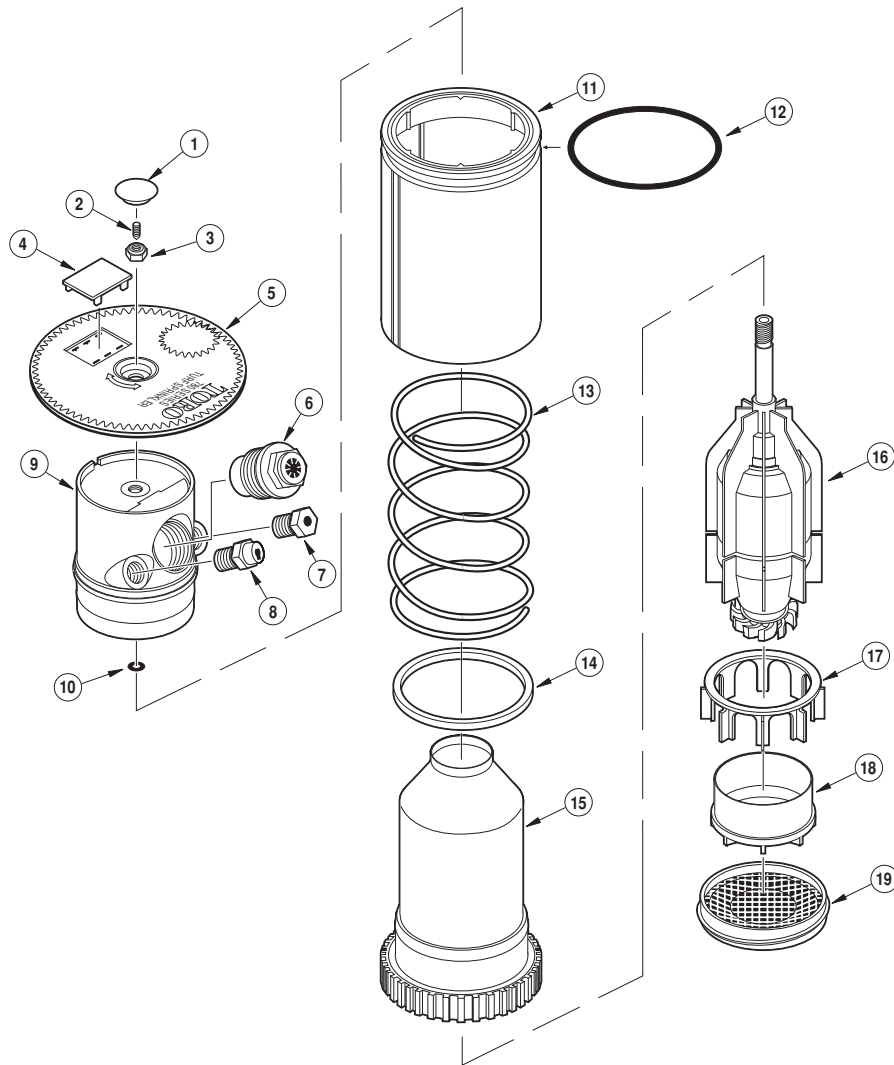
Model Number Information

| 78X-XX-XXX | | | | |
|--------------------------------|----------|----------------------------|--------|----------------------|
| Arc | Body | Valve | Nozzle | Pressure Regulation* |
| 4 = Full-circle | 0 = NPT | 1 = NO Valve-In-Head | 82 | 5 = 50 PSI |
| 5 = Adj. Part Circle (30-330°) | 4 = ACME | 2 = Check-O-Matic | 83 | 6 = 65 PSI |
| | 5 = BSP | 6 = Electric Valve-In-Head | 84 | 8 = 80 PSI |
| | | | 85 | 1 = 100 PSI |
| | | | 86 | |
| | | | 87 | |
| | | | 88 | |
| | | | 89 | |

* Pressure Regulation available on Electric VIH models only.

| Item No. | Part No. | Description | Quantity Per Assy. |
|----------|----------|--|--------------------|
| 1 | 89-1220 | Plug, Adjustment | 1 |
| 2 | 363-3150 | Screw, Set, 10-32 x 1/4" (PC Only) | 1 |
| 3 | 363-4039 | Nut, 5/16-24 w/Nylon Lock | 1 |
| 4 | 89-1589 | Plug, Cap | 1 |
| 5 | 89-1584 | Cap, 780 | 1 |
| 5 | 89-8288 | Cap, Effluent | 1 |
| 6 | 89-1925 | Nozzle, Main, 82 Yellow | 1 |
| 6 | 89-1926 | Nozzle, Main, 83 Blue | 1 |
| 6 | 89-1927 | Nozzle, Main, 84 Brown | 1 |
| 6 | 89-1928 | Nozzle, Main, 85 Orange | 1 |
| 6 | 89-1929 | Nozzle, Main, 86 Green | 1 |
| 6 | 89-1930 | Nozzle, Main, 87 Gray | 1 |
| 6 | 89-1931 | Nozzle, Main, 88 Black | 1 |
| 6 | 89-4655 | Nozzle, Main, 89 Red | 1 |
| 7 | 102-2105 | Nozzle, Intermediate, Blue (Use with #82 Yellow and #83 Blue Main Nozzles) | 1 |
| 7 | 102-0608 | Nozzle, Intermediate, Orange (Use with #84 Brown Main Nozzle) | 1 |
| 7 | 102-0609 | Nozzle, Intermediate, Gray (Use with #85 Orange Main Nozzle) | 1 |
| 7 | 102-0610 | Nozzle, Intermediate, Red (Use with #86 Green and #87 Gray Main Nozzles) | 1 |
| 7 | 102-0823 | Nozzle, Intermediate, Beige (Use with #88 Black and #89 Red Main Nozzles) | 1 |
| 8 | 102-2980 | Nozzle Assy., Inner, Red w/Restrictor | 1 |
| 9 | 89-1906 | Nozzle Base Assy., 760/780 | 1 |
| 9 | 102-0057 | Nozzle Base Assy., 760/780 w/Back Nozzle (Includes 89-3729 #85 Inner Nozzle and 89-4650 Restrictor) | |
| 10 | 360-0107 | O-Ring | 1 |
| 11 | 35-6119 | Snap Ring | 1 |
| 12 | 102-0136 | Retainer, Seal, 1.5" | 1 |
| 13 | 363-4103 | O-Ring | 1 |
| 14 | 89-6307 | Spring, Return | 1 |
| 15 | 89-6361 | Riser Assy., 780 | 1 |
| 16 | 102-4497 | Drive Assy., PC, 12-Pack | 1 |
| 16 | 102-4496 | Drive Assy., FC, 12-Pack | 1 |
| 17 | 89-1958 | Stator Support | 1 |
| 18 | 89-1957 | Stator, Variable | 1 |
| 19 | 89-1588 | Screen, 760 & 780 | 1 |
| 20 | ----- | Body Assy. (See p. 104) | 1 |
| 21 | ----- | Pilot Valve Assy. (See p. 108) | 1 |
| | | SERVICE ITEMS | |
| | 363-3125 | Nozzle, Main, Blank, Black | |
| | 102-0840 | Nozzle, Inner/Intermediate, Blank, Red | |
| | 89-4651 | Nozzle, Inner, 82 Yellow (Pre-November 2003) | |
| | 89-3942 | Nozzle, Inner, 83 Blue (Pre-November 2003) | |
| | 89-4652 | Nozzle, Inner, 84 Brown (Pre-November 2003) | |
| | 89-3729 | Nozzle, Inner, 85 Orange (Pre-November 2003) | |
| | 89-4653 | Nozzle, Inner, 86 Green (Pre-November 2003) | |
| | 89-1879 | Nozzle, Inner, 87 Gray (Pre-November 2003) | |
| | 89-4654 | Nozzle, Inner, 88 Black (Pre-November 2003) | |
| | 89-1878 | Nozzle, Inner, 89 Red (Pre-November 2003) | |
| | 89-4649 | Restrictor, (82 & 83 Black) (Pre-November 2003) | |
| | 89-4650 | Restrictor, (84–89 White) (Pre-November 2003) | |
| | 89-4735 | Yardage Marker, Yellow (10 Sheets Per Pack) | |
| | | SERVICE TOOLS | |
| | 995-09 | Valve Removal Tool | |
| | 995-15 | Selector Tool (Flag Key) | |
| | 995-55 | Riser Hold-up Tool | |
| | 995-79 | Nut Driver, 7/16" (For Inner & Intermediate Nozzles) | |
| | 995-80 | Nut Driver, 1/2" (For 363-4039 Lock Nut) | |
| | 995-81 | Nut Driver, 9/16" (For Main Nozzle) | |
| | 995-82 | Arc Adjustment Tool 3/32" (T-handle Hex Wrench) | |
| | 995-83 | Multi-purpose Tool | |
| | 995-85 | Riser Removal Tool | |
| | 995-101 | Valve Insertion Tool | |
| | 995-100 | Valve Snap Ring Pliers with Screen Remover | |
| | | * Order Through Finished Goods Distribution System–Minneapolis | |

780 Series Ribless Body Conversion Assembly



| Item No. | Part No. | Description | Quantity Per Assy. |
|----------|----------|--|--------------------|
| 1 | 89-1220 | Plug, Adjustment | 1 |
| 2 | 363-3150 | Screw, Set, 10-32 x 1/4" (PC Only) | 1 |
| 3 | 363-4039 | Nut, 5/16-24 w/Nylon Lock | 1 |
| 4 | 89-1589 | Plug, Cap | 1 |
| 5 | 89-1584 | Cap, 780 | 1 |
| 5 | 89-8288 | Cap, Effluent | 1 |
| 6 | 89-1925 | Nozzle, Main, 82 Yellow | 1 |
| 6 | 89-1926 | Nozzle, Main, 83 Blue | 1 |
| 6 | 89-1927 | Nozzle, Main, 84 Brown | 1 |
| 6 | 89-1928 | Nozzle, Main, 85 Orange | 1 |
| 6 | 89-1929 | Nozzle, Main, 86 Green | 1 |
| 6 | 89-1930 | Nozzle, Main, 87 Gray | 1 |
| 6 | 89-1931 | Nozzle, Main, 88 Black | 1 |
| 6 | 89-4655 | Nozzle, Main, 89 Red | 1 |
| 7 | 102-2105 | Nozzle, Intermediate, Blue (Use with #82 Yellow and #83 Blue Main Nozzles) | 1 |
| 7 | 102-0608 | Nozzle, Intermediate, Orange (Use with #84 Brown Main Nozzle) | 1 |
| 7 | 102-0609 | Nozzle, Intermediate, Gray (Use with #85 Orange Main Nozzle) | 1 |
| 7 | 102-0610 | Nozzle, Intermediate, Gray (Use with #86 Green and #87 Gray Main Nozzles) | 1 |
| 7 | 102-0823 | Nozzle, Intermediate, Beige (Use with #88 Black and #89 Red Main Nozzles) | 1 |
| 8 | 102-2980 | Nozzle Assy., Inner, Red w/Restrictor | 1 |
| 9 | 89-1906 | Nozzle Base Assy., 760/780 | 1 |