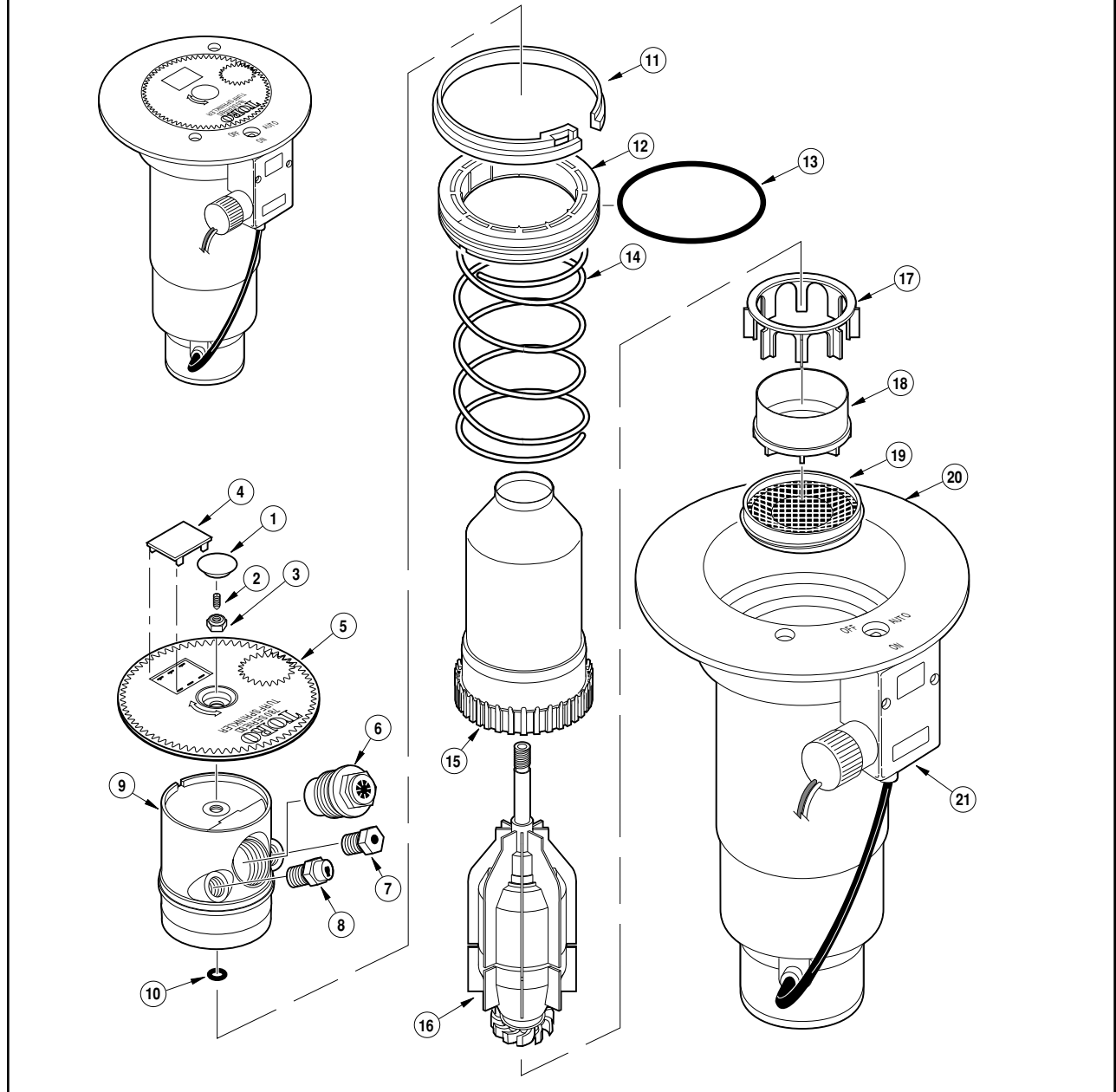


# 780 Series



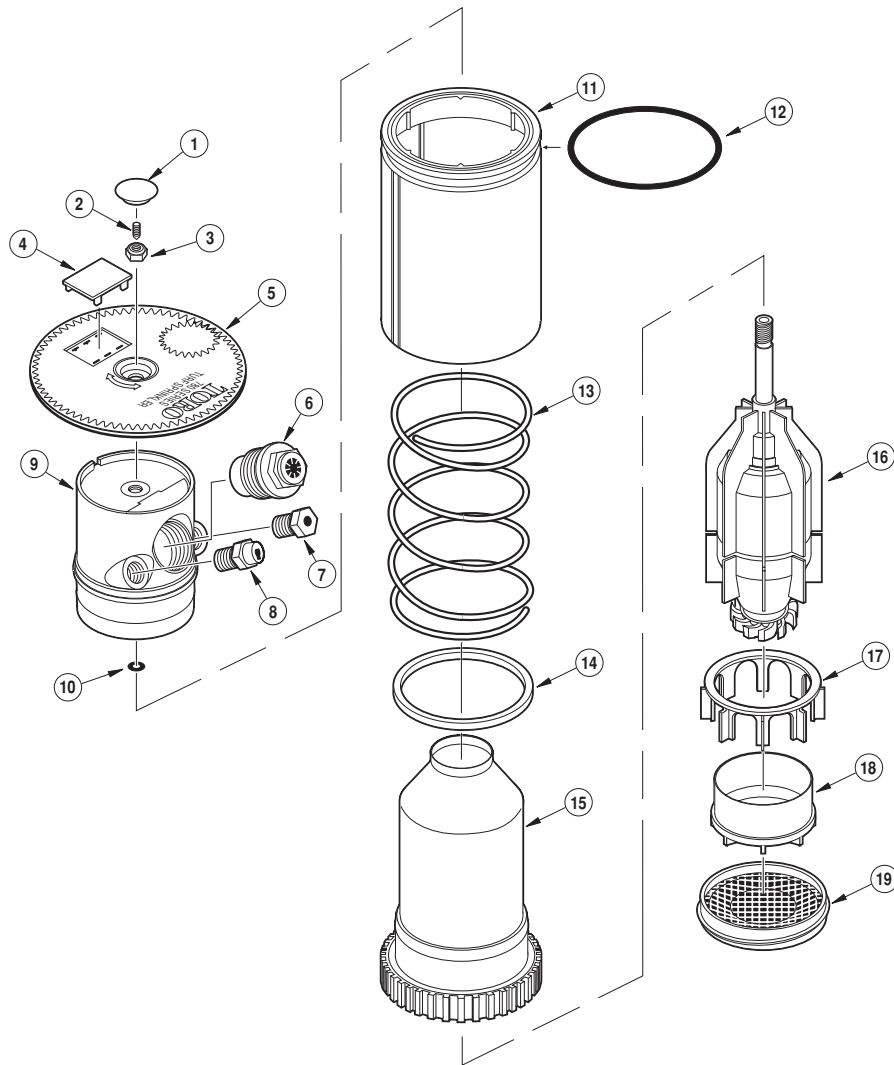
## Model Number Information

<b>78X-XX-XXX</b>				
Arc	Body	Valve	Nozzle	Pressure Regulation*
4 = Full-circle	0 = NPT	1 = NO Valve-In-Head	82	5 = 50 PSI
5 = Adj. Part Circle (30–330°)	4 = ACME	2 = Check-O-Matic	83	6 = 65 PSI
	5 = BSP	6 = Electric Valve-In-Head	84	8 = 80 PSI
			85	1 = 100 PSI
			86	
			87	
			88	
			89	

\* Pressure Regulation available on Electric VIH models only.

Item No.	Part No.	Description	Quantity Per Assy.
1	89-1220	Plug, Adjustment	1
2	363-3150	Screw, Set, 10-32 x 1/4" (PC Only)	1
3	363-4039	Nut, 5/16-24 w/Nylon Lock	1
4	89-1589	Plug, Cap	1
5	89-1584	Cap, 780	1
5	89-8288	Cap, Effluent	1
6	89-1925	Nozzle, Main, 82 Yellow	1
6	89-1926	Nozzle, Main, 83 Blue	1
6	89-1927	Nozzle, Main, 84 Brown	1
6	89-1928	Nozzle, Main, 85 Orange	1
6	89-1929	Nozzle, Main, 86 Green	1
6	89-1930	Nozzle, Main, 87 Gray	1
6	89-1931	Nozzle, Main, 88 Black	1
6	89-4655	Nozzle, Main, 89 Red	1
7	102-2105	Nozzle, Intermediate, Blue (Use with #82 Yellow and #83 Blue Main Nozzles)	1
7	102-0608	Nozzle, Intermediate, Orange (Use with #84 Brown Main Nozzle)	1
7	102-0609	Nozzle, Intermediate, Gray (Use with #85 Orange Main Nozzle)	1
7	102-0610	Nozzle, Intermediate, Red (Use with #86 Green and #87 Gray Main Nozzles)	1
7	102-0823	Nozzle, Intermediate, Beige (Use with #88 Black and #89 Red Main Nozzles)	1
8	102-2980	Nozzle Assy., Inner, Red w/Restrictor	1
9	89-1906	Nozzle Base Assy., 760/780	1
9	102-0057	Nozzle Base Assy., 760/780 w/Back Nozzle (Includes 89-3729 #85 Inner Nozzle and 89-4650 Restrictor)	
10	360-0107	O-Ring	1
11	35-6119	Snap Ring	1
12	102-0136	Retainer, Seal, 1.5"	1
13	363-4103	O-Ring	1
14	89-6307	Spring, Return	1
15	89-6361	Riser Assy., 780	1
16	102-4497	Drive Assy., PC, 12-Pack	1
16	102-4496	Drive Assy., FC, 12-Pack	1
17	89-1958	Stator Support	1
18	89-1957	Stator, Variable	1
19	89-1588	Screen, 760 & 780	1
20	-----	Body Assy. (See p. 104)	1
21	-----	Pilot Valve Assy. (See p. 108)	1
		<b>SERVICE ITEMS</b>	
	363-3125	Nozzle, Main, Blank, Black	
	102-0840	Nozzle, Inner/Intermediate, Blank, Red	
	89-4651	Nozzle, Inner, 82 Yellow (Pre-November 2003)	
	89-3942	Nozzle, Inner, 83 Blue (Pre-November 2003)	
	89-4652	Nozzle, Inner, 84 Brown (Pre-November 2003)	
	89-3729	Nozzle, Inner, 85 Orange (Pre-November 2003)	
	89-4653	Nozzle, Inner, 86 Green (Pre-November 2003)	
	89-1879	Nozzle, Inner, 87 Gray (Pre-November 2003)	
	89-4654	Nozzle, Inner, 88 Black (Pre-November 2003)	
	89-1878	Nozzle, Inner, 89 Red (Pre-November 2003)	
	89-4649	Restrictor, (82 & 83 Black) (Pre-November 2003)	
	89-4650	Restrictor, (84–89 White) (Pre-November 2003)	
	89-4735	Yardage Marker, Yellow (10 Sheets Per Pack)	
		<b>SERVICE TOOLS</b>	
	995-09	Valve Removal Tool	
	995-15	Selector Tool (Flag Key)	
	995-55	Riser Hold-up Tool	
	995-79	Nut Driver, 7/16" (For Inner & Intermediate Nozzles)	
	995-80	Nut Driver, 1/2" (For 363-4039 Lock Nut)	
	995-81	Nut Driver, 9/16" (For Main Nozzle)	
	995-82	Arc Adjustment Tool 3/32" (T-handle Hex Wrench)	
	995-83	Multi-purpose Tool	
	995-85	Riser Removal Tool	
	995-101	Valve Insertion Tool	
	995-100	Valve Snap Ring Pliers with Screen Remover	
		* Order Through Finished Goods Distribution System–Minneapolis	

## 780 Series Ribless Body Conversion Assembly



Item No.	Part No.	Description	Quantity Per Assy.
1	89-1220	Plug, Adjustment	1
2	363-3150	Screw, Set, 10-32 x 1/4" (PC Only)	1
3	363-4039	Nut, 5/16-24 w/Nylon Lock	1
4	89-1589	Plug, Cap	1
5	89-1584	Cap, 780	1
5	89-8288	Cap, Effluent	1
6	89-1925	Nozzle, Main, 82 Yellow	1
6	89-1926	Nozzle, Main, 83 Blue	1
6	89-1927	Nozzle, Main, 84 Brown	1
6	89-1928	Nozzle, Main, 85 Orange	1
6	89-1929	Nozzle, Main, 86 Green	1
6	89-1930	Nozzle, Main, 87 Gray	1
6	89-1931	Nozzle, Main, 88 Black	1
6	89-4655	Nozzle, Main, 89 Red	1
7	102-2105	Nozzle, Intermediate, Blue (Use with #82 Yellow and #83 Blue Main Nozzles)	1
7	102-0608	Nozzle, Intermediate, Orange (Use with #84 Brown Main Nozzle)	1
7	102-0609	Nozzle, Intermediate, Gray (Use with #85 Orange Main Nozzle)	1
7	102-0610	Nozzle, Intermediate, Gray (Use with #86 Green and #87 Gray Main Nozzles)	1
7	102-0823	Nozzle, Intermediate, Beige (Use with #88 Black and #89 Red Main Nozzles)	1
8	102-2980	Nozzle Assy., Inner, Red w/Restrictor	1
9	89-1906	Nozzle Base Assy., 760/780	1