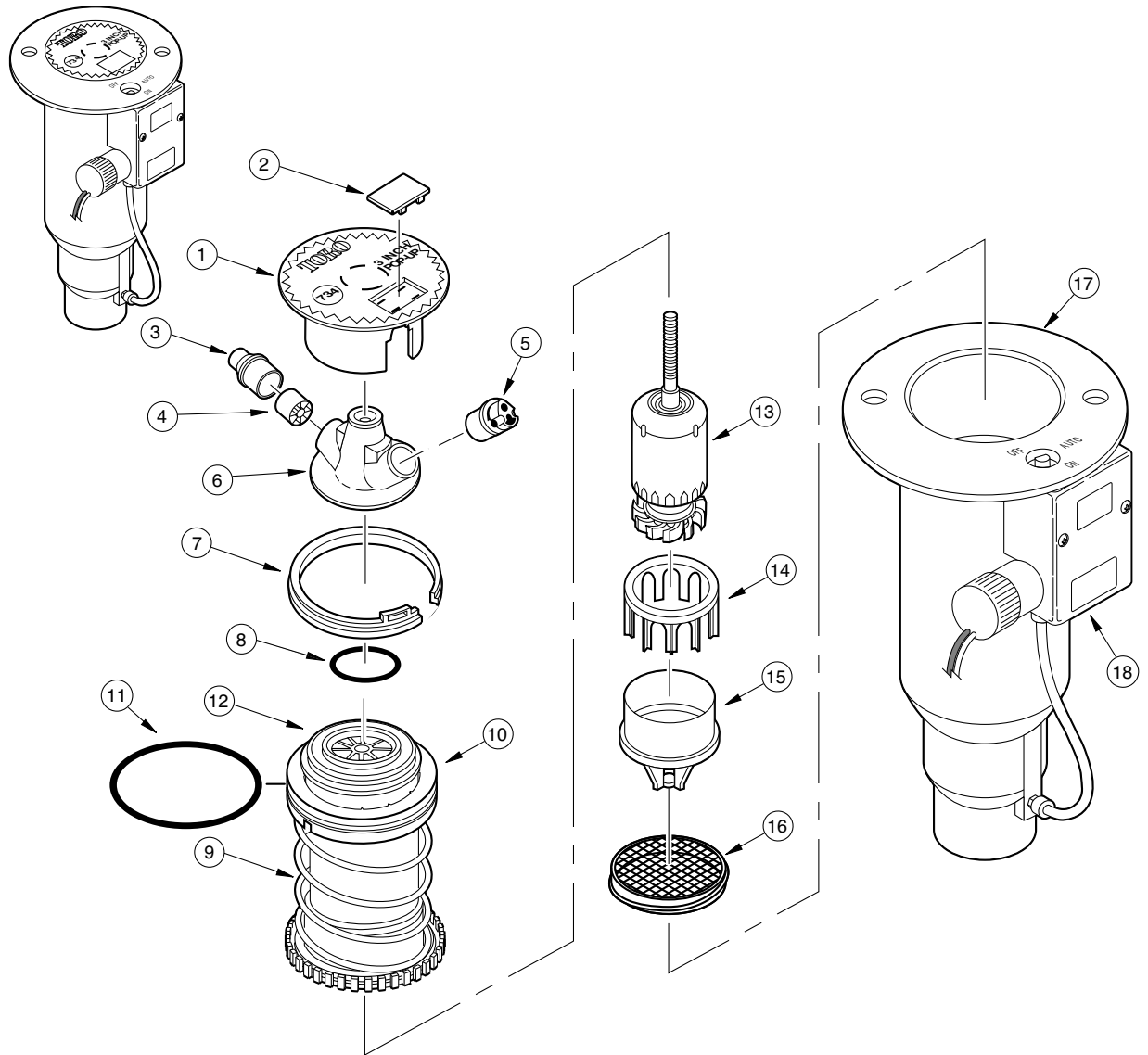
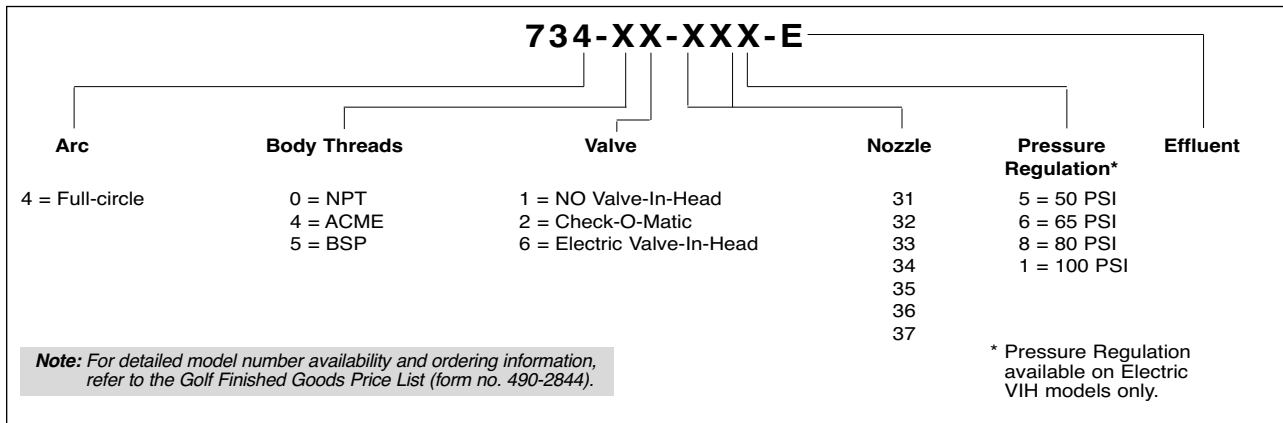


# 730 Series

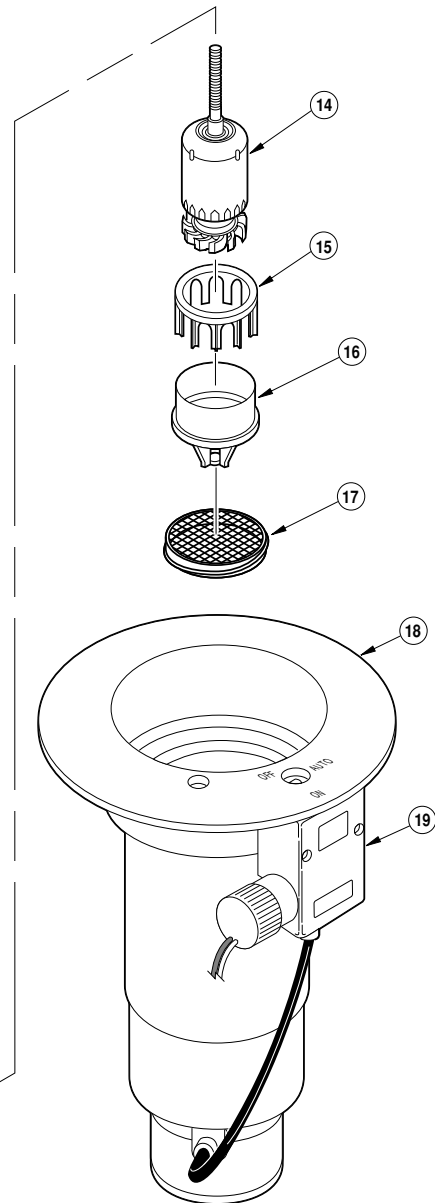
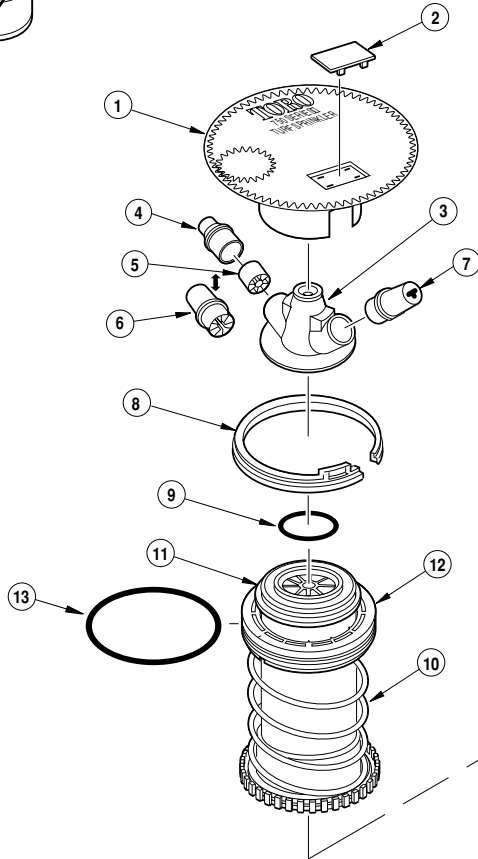
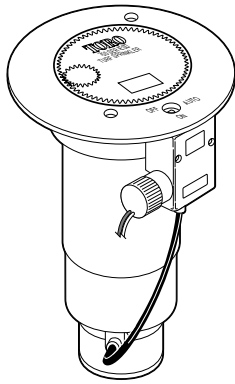


## Model Number Information



Item No.	Part No.	Description	Quantity Per Assy.
1	89-1293	Cap	1
2	89-1589	Plug, Cap (Black)	1
3	89-8780	Nozzle, Main, 31, Yellow (Includes Item 4)	1
3	89-8781	Nozzle, Main, 32, Orange (Includes Item 4)	1
3	89-8782	Nozzle, Main, 33, Brown (Includes Item 4)	1
3	89-8783	Nozzle, Main, 34, Blue (Includes Item 4)	1
3	89-8784	Nozzle, Main, 35, Green (Includes Item 4)	1
3	89-8785	Nozzle, Main, 36, Red (Includes Item 4)	1
3	89-8786	Nozzle, Main, 37, Gray (Includes Item 4)	1
4	9-4098	Insert, Nozzle	1
5	102-5003	Nozzle Assy., Inner, 31–37, Quad, Red	1
6	89-8907	Base Assy., Nozzle (Includes Nozzle Base and Insert Bearing)	1
7	89-1385	Snap Ring	1
8	363-4167	Seal, O-Ring	1
9	-----	Riser Assy. (See Service Item 89-7562)	1
10	-----	Retainer, Spring (See Service Item 89-5979)	1
11	363-4102	O-Ring	1
12	89-1386	Retainer, Riser	1
13	102-4502	Drive Assy., 12-Pack	1
14	89-1390	Housing, Stator	1
15	89-9636	Stator, Variable, 31–34, Manila	1
15	89-9637	Stator, Variable, 35–36, Black	1
15	89-9622	Stator, Variable, 37, Green	1
16	89-6495	Screen	1
17	-----	Body Assy. (See p. 100)	1
18	-----	Pilot Valve Assembly (See p. 108)	1
		<b>SERVICE ITEMS</b>	
	102-1870	Nozzle Assy., Less Cap, 734-33 (Includes Items 3–6)	
	102-1871	Nozzle Assy., Less Cap, 734-34 (Includes Items 3–6)	
	102-1735	Nozzle Assy., Less Cap, 734-35 (Includes Items 3–6)	
	102-1736	Nozzle Assy., Less Cap, 734-36 (Includes Items 3–6)	
	102-1737	Nozzle Assy., Less Cap, 734-37 (Includes Items 3–6)	
	89-5979	Seal Kit, 730 (Includes Items 10–12)	
	89-7562	Riser Assy. w/Screen, 730 Svc. (Includes Items 9–12 & 16)	
	35-4557	Screen, Press-in Type (Pre-9/94)	
	89-4735	Yardage Marker, Yellow (10 Sheets per Pack)	
	89-8289	Cap, Effluent	
		<b>SERVICE TOOLS</b>	
	995-15	Selector Tool	
	995-100	Valve Snap Ring Pliers with Screen Remover	
	995-08	Valve Removal Tool	
	996-76	Valve Insertion Tool	
	995-83	Multi-purpose Tool	
		* Order Through Finished Goods Distribution System–Minneapolis	

# 750 Series



## Model Number Information

<b>754-XX-XXX</b>				
Arc	Body Threads	Valve	Nozzle	Pressure Regulation*
4 = Full-circle	0 = NPT 4 = ACME 5 = BSP	1 = NO Valve-In-Head 2 = Check-O-Matic 6 = Electric Valve-In-Head	52 53 54 55 56 57 58 59	5 = 50 PSI 6 = 65 PSI 8 = 80 PSI 1 = 100 PSI
				* Pressure Regulation available on Electric VIH models only.

Item No.	Part No.	Description	Quantity Per Assy.
1	89-4812	Cap	1
1	89-8290	Cap, Effluent	1
2	89-1589	Plug, Cap (Black)	1
3	89-8907	Nozzle Base Assy. (Includes Nozzle Base and Insert Bearing)	1
4	89-8781	Nozzle, Main, 52, Orange, Short (Includes Item 5)	1
4	89-8782	Nozzle, Main, 53, Brown, Short (Includes Item 5)	1
4	89-8783	Nozzle, Main, 54, Blue, Short (Includes Item 5)	1
4	89-8969	Nozzle, Main, 55, Green, Long (Includes Item 5)	1
5	9-4098	Insert, Nozzle	1
6	89-8701	Nozzle, Main, 56, Red, Long	1
6	89-8702	Nozzle, Main, 57, Gray, Long	1
6	89-8614	Nozzle, Main, 58, Beige, Long	1
6	89-8615	Nozzle, Main, 59, Black, Long	1
7	89-8715	Nozzle, Inner, 52-54, Red	1
7	89-8373	Nozzle, Inner, 55-59, Black	1
8	35-6119	Snap Ring, Head	1
9	363-4167	O-Ring	1
10	-----	Riser Assy. (See Service Item 89-7563)	1
11	89-1386	Retainer, Riser	1
12	-----	Retainer, Spring (See Service Item 89-4352)	1
13	363-4103	O-Ring	1
14	102-4502	Drive Assy., 12-Pack	1
15	89-1390	Housing, Stator	1
16	89-9636	Stator, Variable, 754-52-55 (Manila)	1
16	89-9637	Stator, Variable, 754-56 (Black)	1
16	89-9622	Stator, Variable, 754-57 (Green)	1
16	89-9954	Stator, Variable, 754-58-59 (Red)	1
17	89-6495	Screen	1
18	-----	Body Assy. (See p. 104)	1
19	-----	Pilot Valve Assy. (See p. 108)	1
		<b>SERVICE ITEMS</b>	
	89-8916	Nozzle Assy., 754-52, Orange (Includes Items 1-5 & 7)	
	89-8917	Nozzle Assy., 754-53, Brown (Includes Items 1-5 & 7)	
	89-8918	Nozzle Assy., 754-54, Blue (Includes Items 1-5 & 7)	
	89-8919	Nozzle Assy., 754-55, Green (Includes Items 1-3 & 5-7)	
	89-8920	Nozzle Assy., 754-56, Red (Includes Items 1-3, 6 & 7)	
	89-8921	Nozzle Assy., 754-57, Gray (Includes Items 1-3, 6 & 7)	
	89-8922	Nozzle Assy., 754-58, Beige (Includes Items 1-3, 6 & 7)	
	89-8926	Nozzle Assy., 754-59, Black (Includes Items 1-3, 6 & 7)	
	89-4352	Seal Kit, 750 (Includes Items 11-13)	
	89-7563	Riser Assy. w/Screen (Includes Items 10-13 & 17)	
	35-4557	Screen, Press-in Type (Pre-9/94 Production)	
	-----	Support, Screen (Use with 35-4557 Screen)	
	89-4735	Yardage Marker, Yellow (10 Sheets Per Pack)	
		<b>SERVICE TOOLS</b>	
	995-09	Valve Removal Tool	
	995-15	Selector Tool (Flag Key)	
	995-55	Riser Hold-up Tool	
	995-83	Multi-purpose Tool	
	995-85	Riser Removal Tool	
	995-101	Valve Insertion Tool	
	995-100	Valve Snap Ring Pliers with Screen Remover	
		* Order Through Finished Goods Distribution System—Minneapolis	