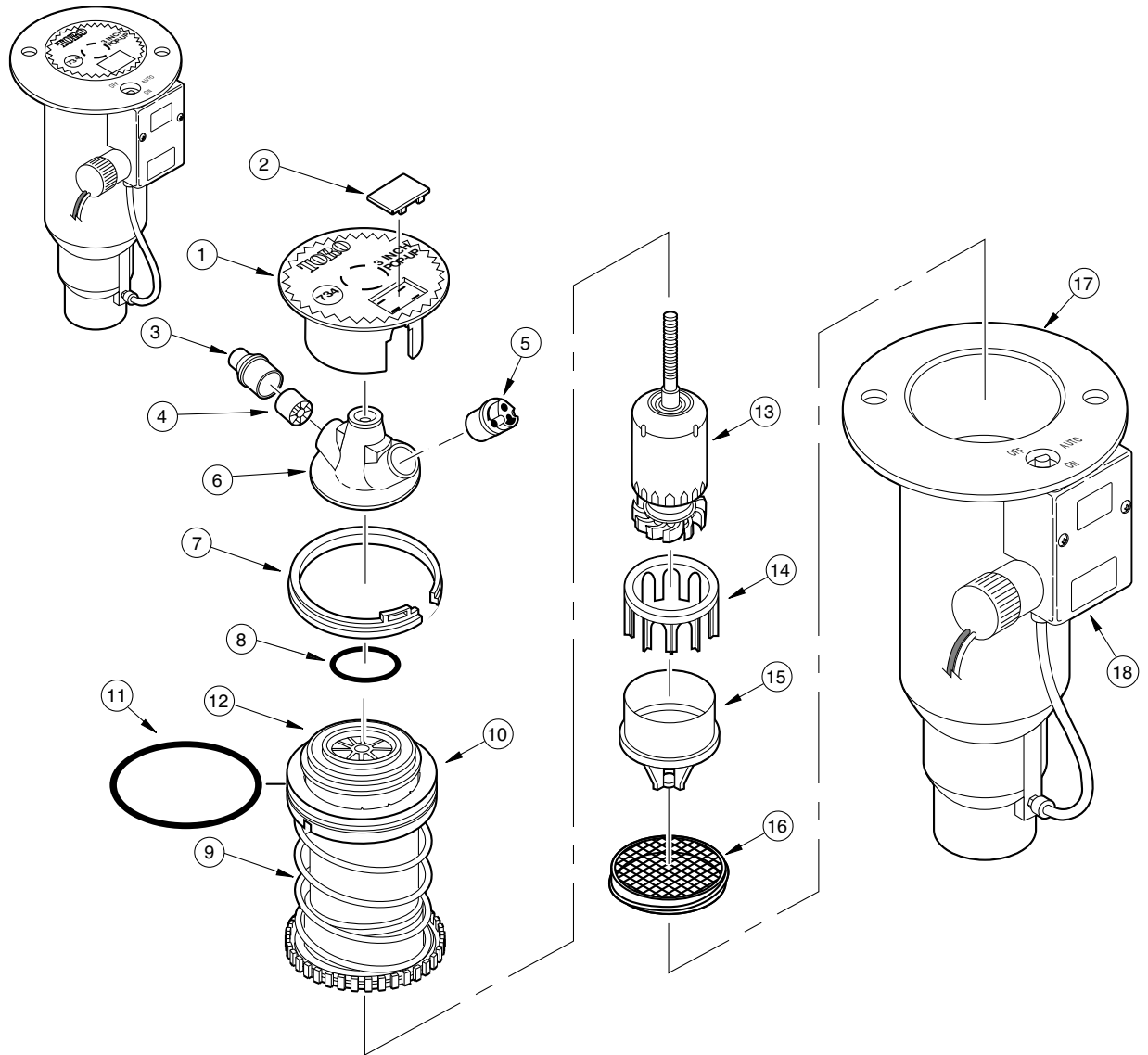
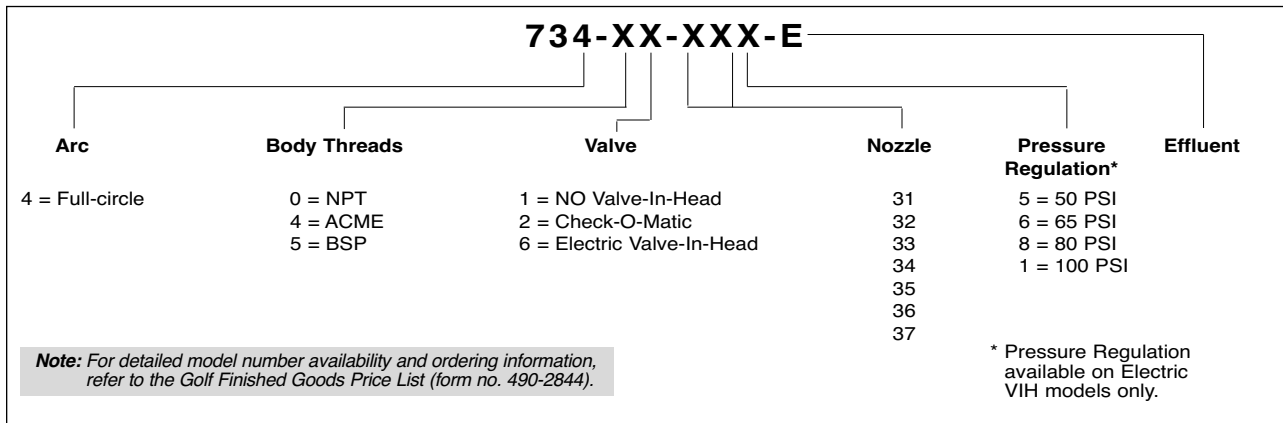


730 Series



Model Number Information



| Item No. | Part No. | Description | Quantity Per Assy. |
|----------|----------|--|--------------------|
| 1 | 89-1293 | Cap | 1 |
| 2 | 89-1589 | Plug, Cap (Black) | 1 |
| 3 | 89-8780 | Nozzle, Main, 31, Yellow (Includes Item 4) | 1 |
| 3 | 89-8781 | Nozzle, Main, 32, Orange (Includes Item 4) | 1 |
| 3 | 89-8782 | Nozzle, Main, 33, Brown (Includes Item 4) | 1 |
| 3 | 89-8783 | Nozzle, Main, 34, Blue (Includes Item 4) | 1 |
| 3 | 89-8784 | Nozzle, Main, 35, Green (Includes Item 4) | 1 |
| 3 | 89-8785 | Nozzle, Main, 36, Red (Includes Item 4) | 1 |
| 3 | 89-8786 | Nozzle, Main, 37, Gray (Includes Item 4) | 1 |
| 4 | 9-4098 | Insert, Nozzle | 1 |
| 5 | 102-5003 | Nozzle Assy., Inner, 31–37, Quad, Red | 1 |
| 6 | 89-8907 | Base Assy., Nozzle (Includes Nozzle Base and Insert Bearing) | 1 |
| 7 | 89-1385 | Snap Ring | 1 |
| 8 | 363-4167 | Seal, O-Ring | 1 |
| 9 | ----- | Riser Assy. (See Service Item 89-7562) | 1 |
| 10 | ----- | Retainer, Spring (See Service Item 89-5979) | 1 |
| 11 | 363-4102 | O-Ring | 1 |
| 12 | 89-1386 | Retainer, Riser | 1 |
| 13 | 102-4502 | Drive Assy., 12-Pack | 1 |
| 14 | 89-1390 | Housing, Stator | 1 |
| 15 | 89-9636 | Stator, Variable, 31–34, Manila | 1 |
| 15 | 89-9637 | Stator, Variable, 35–36, Black | 1 |
| 15 | 89-9622 | Stator, Variable, 37, Green | 1 |
| 16 | 89-6495 | Screen | 1 |
| 17 | ----- | Body Assy. (See p. 100) | 1 |
| 18 | ----- | Pilot Valve Assembly (See p. 108) | 1 |
| | | SERVICE ITEMS | |
| | 102-1870 | Nozzle Assy., Less Cap, 734-33 (Includes Items 3–6) | |
| | 102-1871 | Nozzle Assy., Less Cap, 734-34 (Includes Items 3–6) | |
| | 102-1735 | Nozzle Assy., Less Cap, 734-35 (Includes Items 3–6) | |
| | 102-1736 | Nozzle Assy., Less Cap, 734-36 (Includes Items 3–6) | |
| | 102-1737 | Nozzle Assy., Less Cap, 734-37 (Includes Items 3–6) | |
| | 89-5979 | Seal Kit, 730 (Includes Items 10–12) | |
| | 89-7562 | Riser Assy. w/Screen, 730 Svc. (Includes Items 9–12 & 16) | |
| | 35-4557 | Screen, Press-in Type (Pre-9/94) | |
| | 89-4735 | Yardage Marker, Yellow (10 Sheets per Pack) | |
| | 89-8289 | Cap, Effluent | |
| | | SERVICE TOOLS | |
| | 995-15 | Selector Tool | |
| | 995-100 | Valve Snap Ring Pliers with Screen Remover | |
| | 995-08 | Valve Removal Tool | |
| | 996-76 | Valve Insertion Tool | |
| | 995-83 | Multi-purpose Tool | |
| | | * Order Through Finished Goods Distribution System—Minneapolis | |