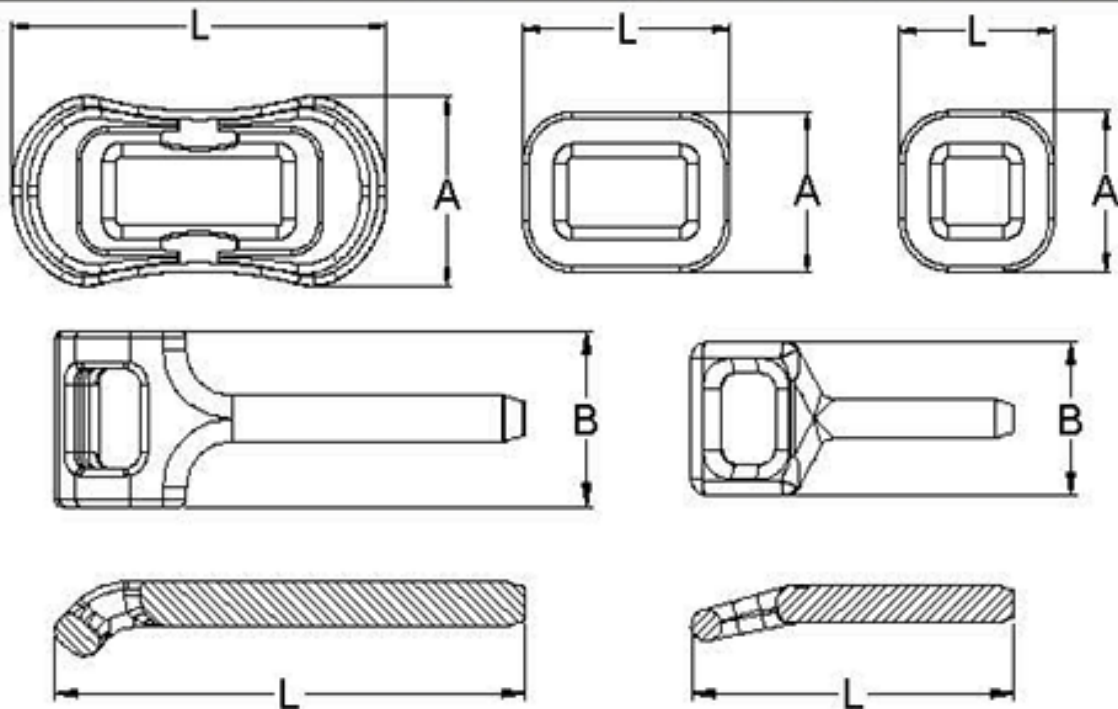


## CONNECTING LINKS and EYE BOLTS



SIZE	PART #	A	B	L	WT (approx)
Small Link (1½ - 8)	82000	3.5	-	3.5	1.1
Transition Link (10-12)	82004	3.5	-	4.7	1.3
Heavy Duty Link (10-12)	82003	4.1	-	8.5	3.6
5/8 x 3 Bolt	82001	-	2.5	5.3	0.7
5/8 x 12 Bolt	82001-12	-	2.5	14.8	1.7
3/4 x 3 Bolt	82002-3	-	-	-	-
3/4 x 4 Bolt	82002	-	2.9	7.6	1.6