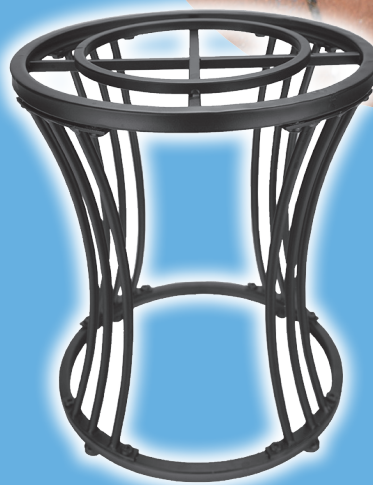




AQUAGARDEN STAND

Elevate the height and style of your AquaGarden Mini Pond Kit with the elegant AquaGarden Stand. The sleek, modern design and matte black finish blend well into any indoor or outdoor setting. The stand is designed to support the weight of your mini pond, raising your AquaGarden to where it can be more easily enjoyed. The stand is designed specifically for the AquaGarden with a special flange which prevents the unit from moving side to side. Once in place, the container can be turned to the desired angle.

- Designed to elevate the AquaGarden Mini Pond Kit
- Supports the weight of the mini pond
- Sleek, modern design with matte black finish
- Long-lasting and durable powder-coated iron construction
- Great for use indoors or out



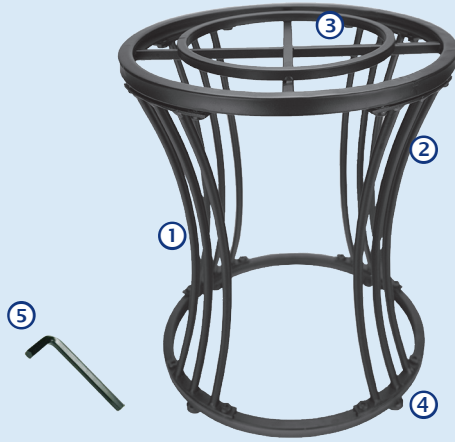
Available Options:

AquaGarden Stand
Item# 78331

aquascapeinc.com

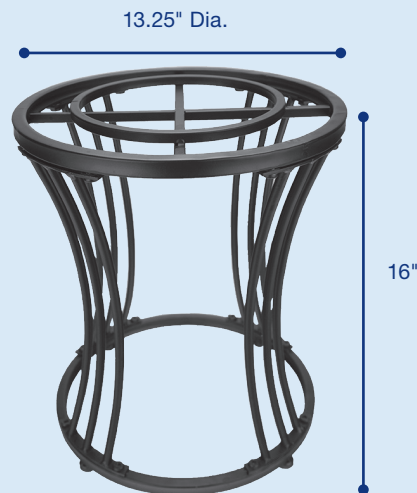
AQUAGARDEN STAND

Features and Benefits



- ① Triple powder-coated finish is long-lasting and stands up to the elements
- ② Durable iron construction
- ③ Ring flange secures the mini pond from side-to-side movement
- ④ Anti-scratch feet help protect surfaces
- ⑤ Included tool allows for quick and easy assembly

Dimensions



AquaGarden Stand



**Need more information? Want to place an order?
Contact your participating Aquascape distributor TODAY!**

For help locating a distributor, contact the Aquascape Customer Care Team at (866) 877-6637 US/(866) 766-3426 CAN.

