

FXLuminaire®

REPLACEMENT PARTS LIST

LANDSCAPE LIGHTING



EFFECTIVE DATE: DECEMBER 2017

fxl.com



TABLE OF CONTENTS

AL	59	EA LED	39	MM	87	QF	50
AN	77	FB LED	11	MO LED	92	QZ LED	5
AP	76	FC	110	MP	4	RL	18
A-RISER	54	FC LED	111	M-PL LED	66	RP	116
BD	27	FG	62	MR-16 LAMPS	124	RS	7
BD LED	28	FG LED	63	MR LED	15	RW	73
BP	93	FR LED	22	MS LED	88	SC	36
BQ	123	GN	78	MU	10	SC LED	37
CA	40	G-RISER	52	NL LED	101	SI	9
CB	48	GT	75	NP LED	13	SM	117
CC LED	20	HC LED	33	NR LED	23	SP	31
CF	112	JB LED	104	PB	25	SP-A	32
CG	89	JS LED	45	PD	85	TB	126
CL	95	KG LED	115	PD LED	86	TC	96
CM	8	LB	118	PE LED	114	TD	60
CP	79	LC LED	26	PF	29	TD LED	61
CP LED	80	LE LED	109	PF LED	30	TE	113
CR	17	LF LED	94	PL	57	TM	55
CV	46	LL LED	119	PL LED	58	TM LED	56
DE LED	103	LM	81	PM	64	TS	97
DL	44	LM LED	82	PM LED	65	UN	83
DM	42	LO	19	PO LED	91	UN LED	84
DP	71	LR	16	PR	34	VE LED	107
DR 2 TIER	68	LS	105	P-RISER	53	VS LED	21
DR 3 TIER	67	LX	121	PS LED	99		
DS 2 TIER	69	LZDC	120	PV	72		
DS 3 TIER	70	MD	98	PX	122		
EA	38	ML	90	QB LED	6		

UP LIGHTS

MP

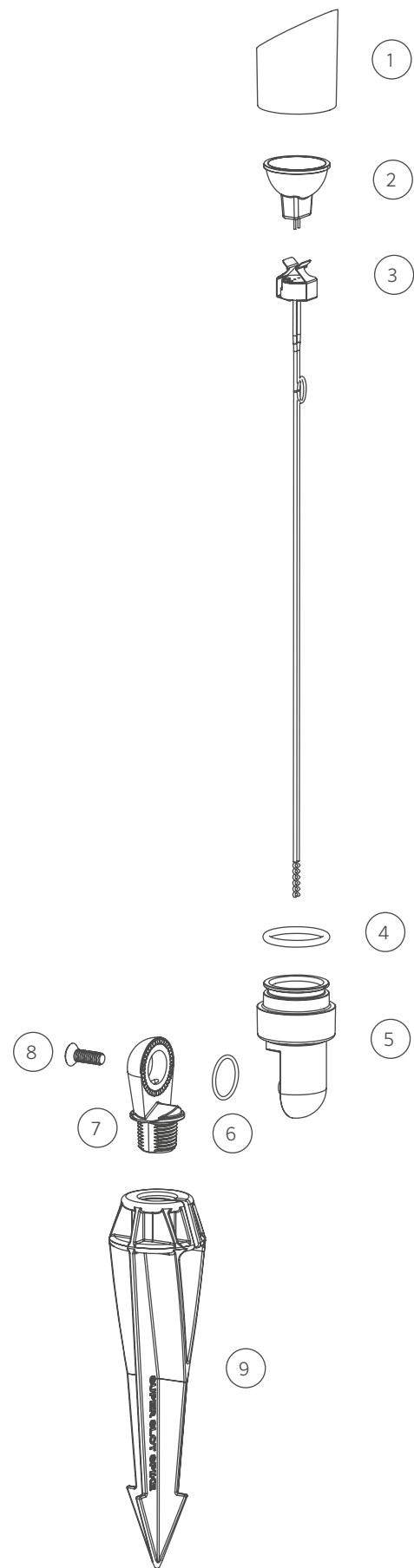
ITEM	DESCRIPTION	CATALOG #
1	Lens Cap Assembly (Clear Lens)	MPLCXX*†
2	Lamp, MR-11	See Lamp Chart
3	Socket Assembly, MR-11	250010440000
4	O-Ring	250010280015
5	Base	-
6	O-Ring	250020280002
7	Knuckle	-
8	Screw, ¼-20 x ¾	250010290000
9	Super Slot Spike	753900

*XX = powder coat color code

† Replace "C" with "F" for frosted lens option

LAMP CHART

DESCRIPTION	CATALOG #
Lamp, MR-11, 12W, 10°, 2,000 Hrs	250010220001
Lamp, MR-11, 20W, 10°, 2,000 Hrs	250010220002
Lamp, MR-11, 20W, 36°, 2,000 Hrs	250010220003
Lamp, MR-11 35W 12°, 2,000 Hrs	250010220004
Lamp, MR-11 35W 30°, 2,000 Hrs	250010220005



QZ LED

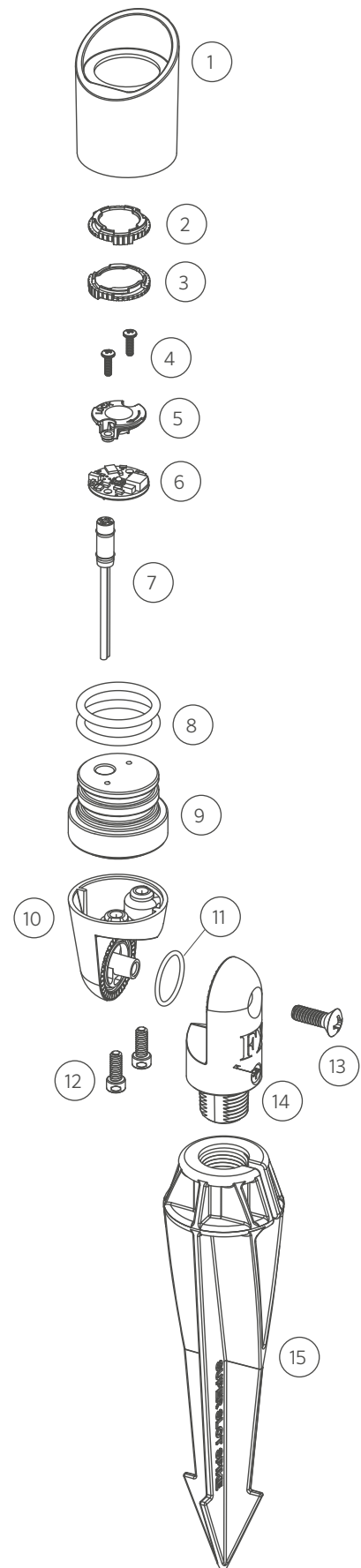
ITEM	DESCRIPTION	CATALOG #
1	Lens Cap Assembly	QZLCXX*
2	Beam Angle Lens	See LED Chart
3	Color Filter	See LED Chart
4	Screw	See LED Chart
5	Reflector	See LED Chart
6	LED Board	See LED Chart
7	Socket, 3-meter	752601
8	O-Ring	250010280015
9	Body	-
10	Base	-
11	O-Ring	250010280002
12	Screw, 10-24 x 3/8	250013940000
13	Screw, 1/4-20 x 3/4	250010290000
14	Knuckle Subassembly	KFM050XX*
15	Super Slot Spike	753900

*XX = powder coat color code

QZ LED COMPONENTS

ITEM	DESCRIPTION	CATALOG #
2	1 LED Spot Lens (20°)	770600
2	1 LED Flood Lens (30°-32°)	1LEDFLENS
2	1 LED Wide Flood Lens (56°-58°)	1LEDWFLENS
3	1 LED Color Filter, Amber	770100
3	1 LED Color Filter, Blue	770101
3	1 LED Color Filter, Green	770102
4	1/3 LED Screw, 4-40 x 3/8 (Qty Req: 2)	762400
5	1 LED Reflector	770000
6	1 LED Board	1LEDULKIT [‡]

[‡] ZD = zoneable and dimmable (add ZD to front of part number)



QB LED

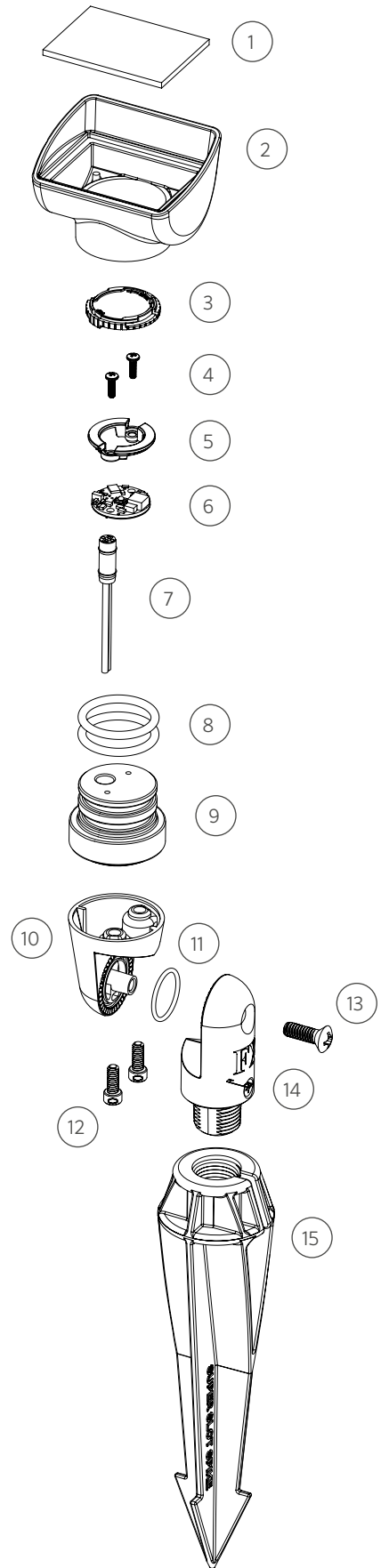
ITEM	DESCRIPTION	CATALOG #
1	Lens	-
2	Shroud	-
3	Color Filter	See LED Chart
4	Screw	See LED Chart
5	Color Filter Support	250021070000
6	LED Board	See LED Chart
7	Socket, 3-meter	752601
8	O-Ring	250010280015
9	Body	-
10	Base	-
11	O-Ring	250010280002
12	Screw, 10-24 x 3/8	250013940000
13	Screw, 1/4-20 x 3/4	250010290000
14	Knuckle Subassembly	KFM050XX*
15	Super Slot Spike	753900
1-2, 8	Lens Cap Assembly (Frosted)	QBLFXX*

*XX = powder coat color code

QB LED COMPONENTS

ITEM	DESCRIPTION	CATALOG #
3	1 LED Color Filter, Amber	770100
3	1 LED Color Filter, Blue	770101
3	1 LED Color Filter, Green	770102
4	1/3 LED Screw, 4-40 x 3/8 (Qty Req: 2)	762400
6	1 LED Board	1LEDULKIT [‡]

[‡] ZD = zoneable and dimmable (add ZD to front of part number)

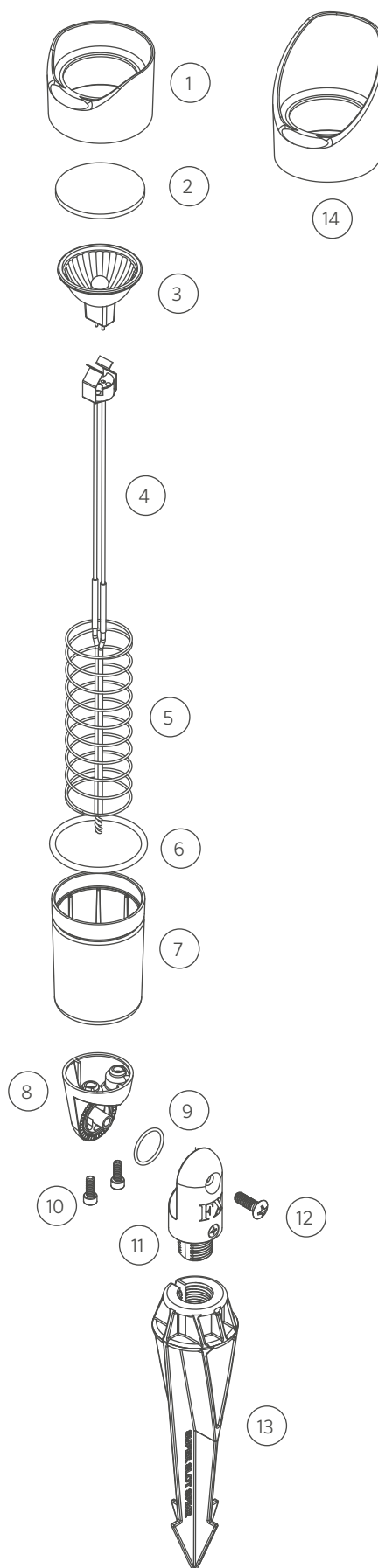


RS

ITEM	DESCRIPTION	CATALOG #
1	Shroud	-
2	Lens	-
3	Lamp, MR-16	See Lamp Chart, p. 124
4	Socket Assembly, MR-16	761600
5	Spring, Compression	-
6	O-Ring	250010280017
7	Can	-
8	Base	-
9	O-Ring	250010280002
10	Screw, 10-24 x 3/8	250013940000
11	Knuckle Subassembly	KFM050XX*
12	Screw, 1/4-20 x 3/4	250010290000
13	Super Slot Spike	753900
14	Long Shroud	-
1-2, 6	Lens Cap Assembly (Clear)	RSLCXX* [†]
2, 6, 14	Long Shroud Lens Cap Assembly (Clear)	RSLCLSXX*

*XX = powder coat color code

[†]Replace "C" with "F" for frosted lens option

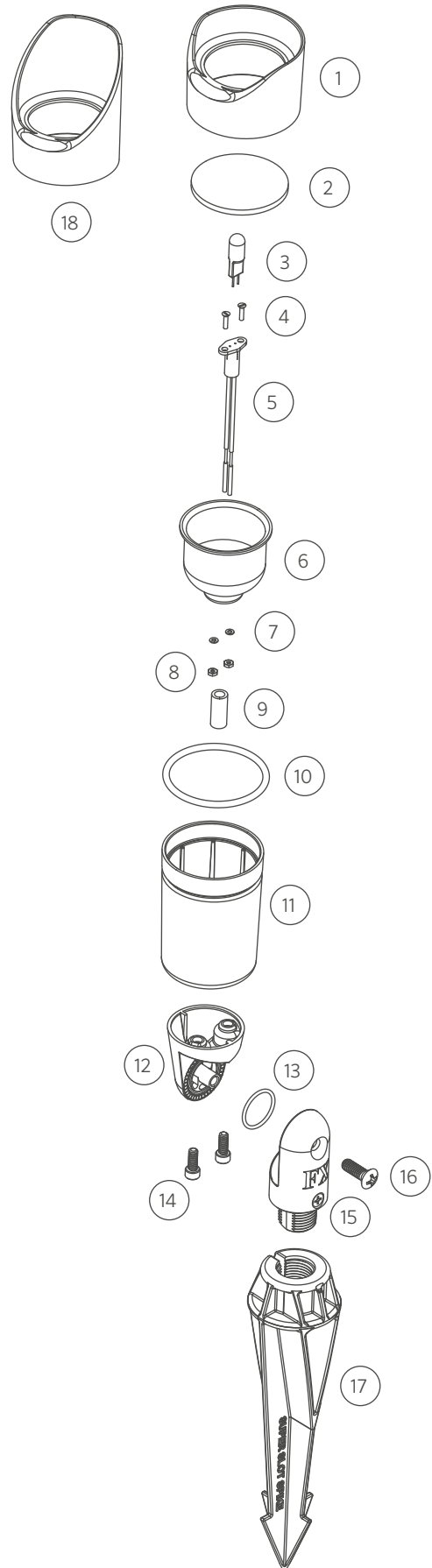


CM

ITEM	DESCRIPTION	CATALOG #
1	Shroud, Short	-
2	Lens	-
3	Lamp, G4 Bi-Pin	See Lamp Chart, p. 124
4	Screw, 2-56 X 3/8	250010540000
5	Socket	250010580000
6	Reflector	-
7	Washer, Flat, No. 2	250010530000
8	Nut, 2-56	250010550000
9	Silicone Sleeve	250010560000
10	O-Ring	250010280017
11	Can	-
12	Base, Knuckle	-
13	O-Ring	250010280002
14	Screw, 10-24 X 3/8	250013940000
15	Knuckle Subassembly	KFM050XX*
16	Screw, 1/4-20 X 3/4	250010290000
17	Super Slot Spike	753900
18	Long Shroud	-
1, 2, 10	Lens Cap Assembly	RSLCXX*†
2, 10, 18	Long Shroud Lens Cap Assembly	RSLCLSXX*
4-9	Socket Assembly	250016000000

* XX = powder coat color code

† Replace "C" with "F" for frosted lens option

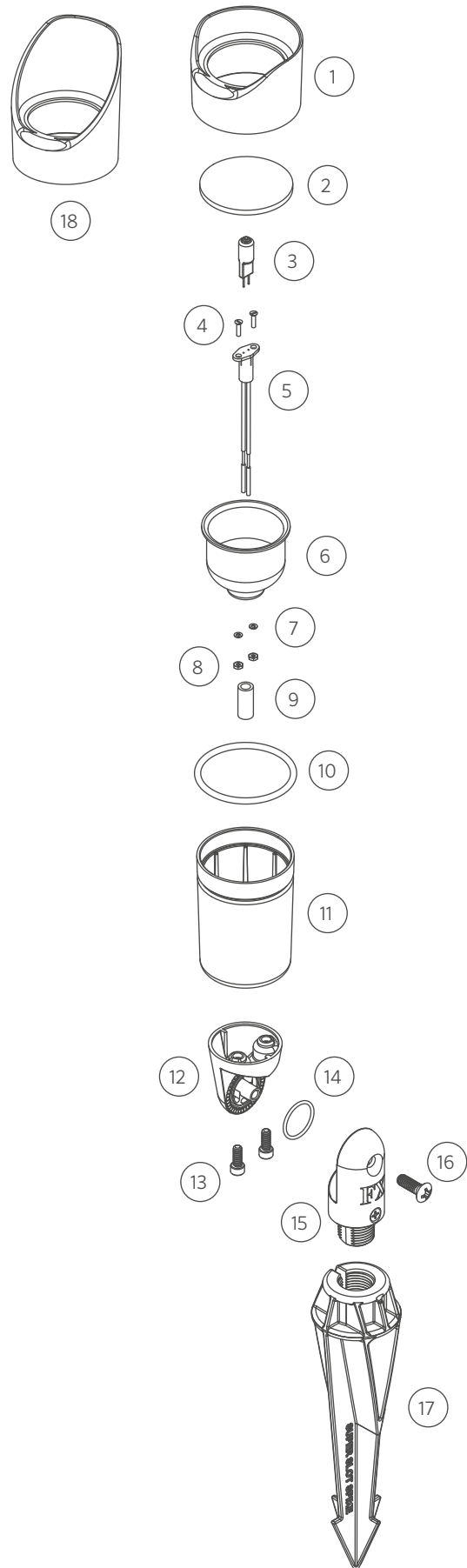


SI

ITEM	DESCRIPTION	CATALOG #
1	Shroud	-
2	Lens	250010230000
3	Lamp, G4 Bi-Pin	See Lamp Chart, p. 124
4	Screw, 2-56 x 3/8	250010540000
5	Socket, T3	250010580000
6	Reflector	-
7	Washer, Flat, No. 2	250010530000
8	Nut, 2-56	250010550000
9	Silicone Sleeve	250010560000
10	O-Ring	250010280017
11	Can	-
12	Base	-
13	Screw, 10-24 x 3/8	250013940000
14	O-Ring	250010280002
15	Knuckle Subassembly	KFM050XX*
16	Screw, 1/4-20 x 3/4	250010290000
17	Super Slot Spike	753900
18	Long Shroud	-
4-9	Socket Assembly	250016000000
1-2, 10	Lens Cap Assembly	RSLCXX*†
2, 10, 18	Long Shroud Lens Cap	RSLCLSXX*

* XX = powder coat color code

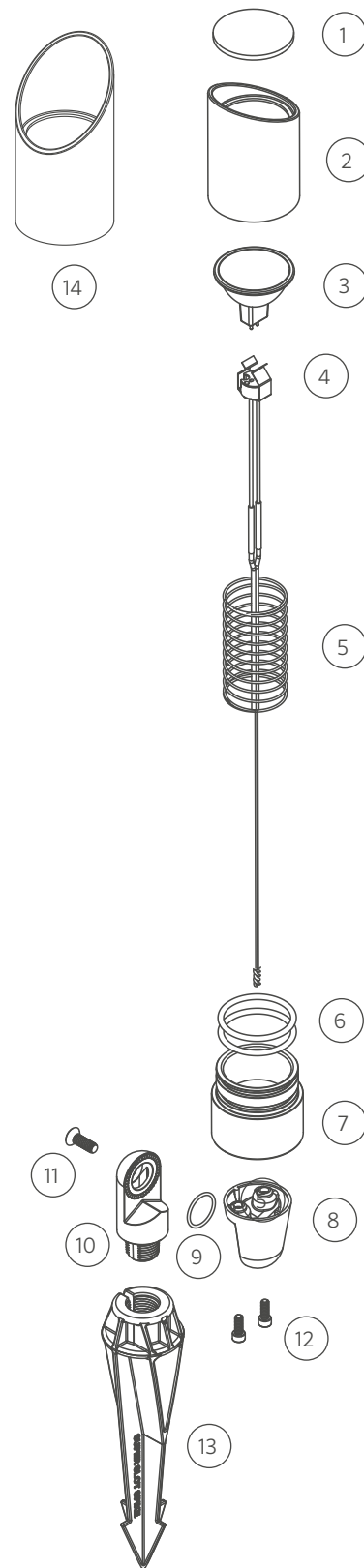
† Replace "C" with "F" for frosted lens option



MU

ITEM	DESCRIPTION	CATALOG #
1	Lens	-
2	Shroud	-
3	Lamp, MR-16	See Lamp Chart, p. 124
4	Socket Assembly, MR-16	761600
5	Spring	-
6	O-Ring	250010280017
7	Body	-
8	Base	-
9	O-Ring	250010280002
10	Subassembly	KFM050XX*
11	Screw, 1/4-20 x 3/4	250010290000
12	Screw, 10-24 x 3/8	250013940000
13	Super Slot Spike	753900
14	Long Shroud	-
1-2, 6	Lens Cap Assembly	MULCXX*
1, 6, 14	Long Shroud Lens Cap	MULCLSXX*

*XX = powder coat color code

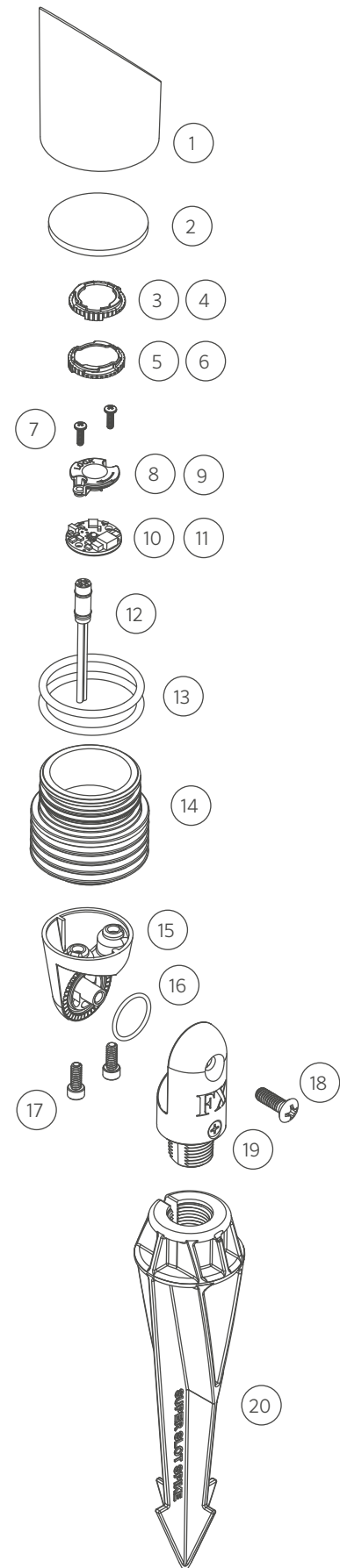


FB LED

ITEM	DESCRIPTION	CATALOG #
1	Shroud	-
2	Lens, Clear	-
3-4	Beam Angle Lens	See LED Chart
5-6	Color Filter	See LED Chart
7	Screw, 4-40 x 3/8	See LED Chart
8-9	Reflector	See LED Chart
10-11	LED Board	See LED Chart
12	Socket, 3-meter	752601
13	O-Ring	250010280017
14	Body	-
15	Base	-
16	O-Ring	250010280002
17	Screw, 10-24 x 3/8	250013940000
18	Screw, 1/4-20 x 3/4	250010290000
19	Knuckle Subassembly	KFM050XX*
20	Super Slot Spike	753900
1-2, 13	Lens Cap Assembly (Clear)	FBLCXX*†

* XX = powder coat color code

† Replace "C" with "F" for frosted lens option



FB LED COMPONENTS

ITEM	DESCRIPTION	CATALOG #
3	1 LED Spot Lens (18°)	770600
3	1 LED Flood Lens (30°-32°)	1LEDFLENS
3	1 LED Wide Flood Lens (56°-58°)	1LEDWFLENS
4	3 LED Spot Lens (18°)	771300
4	3 LED Flood Lens (30°-32°)	3LEDFLENS
4	3 LED Wide Flood Lens (56°-58°)	3LEDWFLENS
5	1 LED Color Filter, Amber	770100
5	1 LED Color Filter, Blue	770101
5	1 LED Color Filter, Green	770102
6	3 LED Color Filter, Amber	770800
6	3 LED Color Filter, Blue	770801
6	3 LED Color Filter, Green	770802
7	1/3 LED Screw, 4-40 x 3/8 (Qty Req: 2)	762400
8	1 LED Reflector	770000
9	3 LED Reflector	770700
9	ZDC Reflector	250022050000
10	1 LED Board	1LEDULKIT [†]
11	3 LED Board	3LEDULKIT [†]
11	ZDC LED Board	ZDCKITM ^{**}

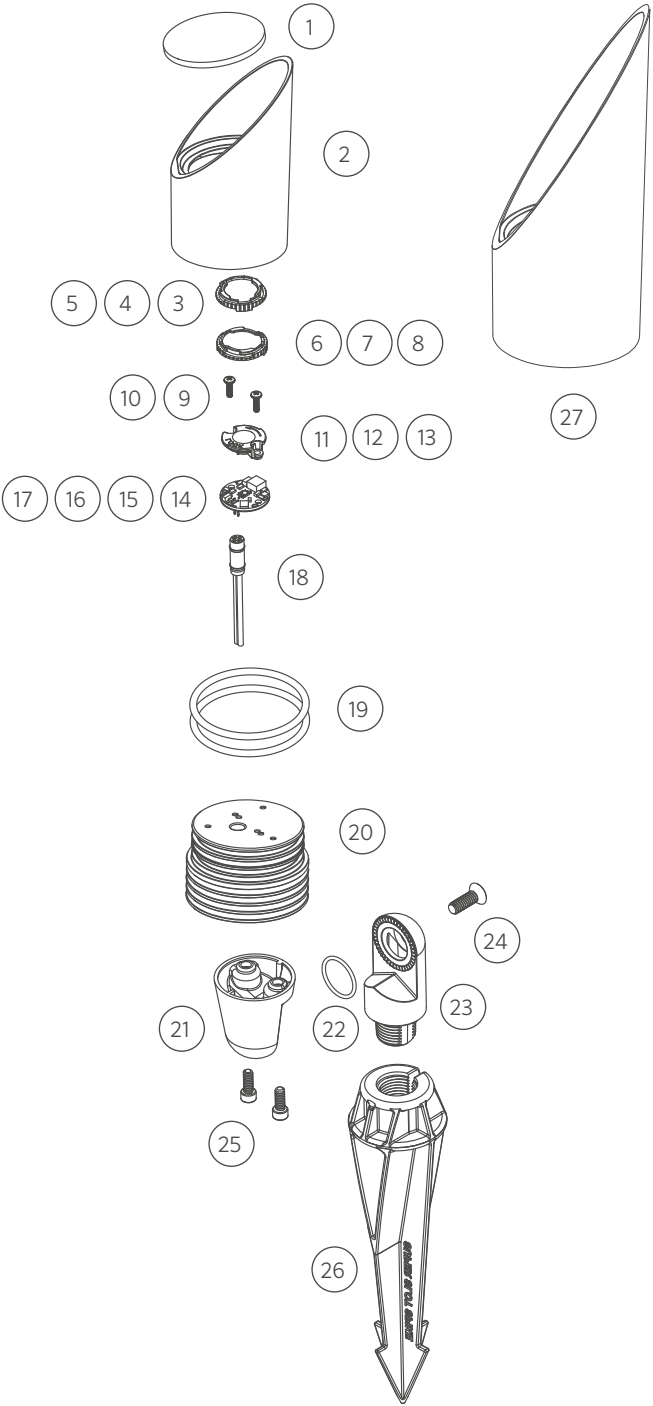
[†] ZD = zoneable and dimmable (add ZD to front of part number)

^{**} ZDC kit includes LED board, reflector (#9), screws (#7), and flood lens diffuser (3LEDWFLENS)

NP LED

ITEM	DESCRIPTION	CATALOG #
1	Lens	-
2	Shroud	-
3-5	Beam Angle Lens	See LED Chart
6-8	Color Filter	See LED Chart
9-10	Screw	See LED Chart
11-13	Reflector	See LED Chart
14-17	LED Board	See LED Chart
18	Socket, 3-meter	752601
19	O-Ring	250010280025
20	Body	-
21	Base	-
22	O-Ring	250010280002
23	Knuckle Subassembly	KFM050XX*
24	Screw, 1/4-20 x 3/4	250010290000
25	Screw, 10-24 x 3/8	250013940000
26	Super Slot Spike	753900
27	Long Shroud	-
1-2	Lens Cap Assembly (Clear)	NPLCXX*†
1, 27	Long Shroud Lens Cap Assembly (Clear)	NPLCLSXX*†

* XX = powder coat color code
 † Replace "C" with "F" for frosted lens option



NP LED COMPONENTS

ITEM	DESCRIPTION	CATALOG #
3	1 LED Spot Lens (18°)	770600
3	1 LED Flood Lens (30°-32°)	1LEDFLENS
3	1 LED Wide Flood Lens (56°-58°)	1LEDWFLENS
4	3 LED Diffuser	771300
4	3 LED Flood Lens (30°-32°)	3LEDFLENS
4	3 LED Wide Flood Lens (56°-58°)	3LEDWFLENS
5	6/9 LED Diffuser	771600
5	6/9 LED Flood Lens (30°-32°)	9LEDFLENS
5	6/9 LED Wide Flood Lens (56°-58°)	9LEDWFLENS
6	1 LED Color Filter, Amber	770100
6	1 LED Color Filter, Blue	770101
6	1 LED Color Filter, Green	770102
7	3 LED Color Filter, Amber	770800
7	3 LED Color Filter, Blue	770801
7	3 LED Color Filter, Green	770802
8	6/9 LED Color Filter, Amber	771500
8	6/9 LED Color Filter, Blue	771501
8	6/9 LED Color Filter, Green	771502
9	1/3 LED Screw, 4-40 x 3/8 (Qty: 2)	762400
10	6/9 LED Screw, 4-40 x 7/16 (Qty: 3)	250014550000
11	1 LED Reflector	770000
12	3 LED Reflector	770700
13	6/9 LED Reflector	771400
13	ZDC LED Reflector	250020690000
14	1 LED Board	1LEDULKIT [†]
15	3 LED Board	3LEDULKIT*
16	6 LED Board	6LEDULKIT [†]
17	9 LED Board	9LEDULKIT [†]
17	ZDC LED Board	ZDCKITL**

[†] ZD = zoneable and dimmable (add ZD to front of part number)

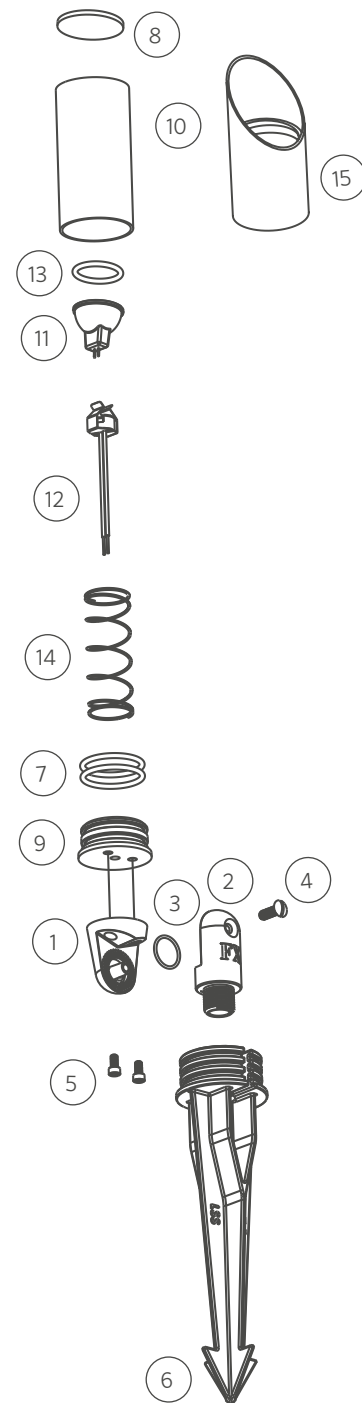
** ZDC kit includes LED board, reflector (#13), screws (#10), and flood lens diffuser (9LEDFLENS)

MR LED

ITEM	DESCRIPTION	CATALOG #
1	Base, Knuckle, Brass	-
2	Fitting, Knuckle, Brass	KFM050XX
3	O-Ring, Silicone, Orange, -019	250010280002
4	Screw, Ovhd, 1/4-20 x 3/4 LG, Mach, Sltd, Brass, 82°	250010630000
5	Screw, SCH, 10-24 x 3/8 LG, SST	250013940000
6	Large Slot Spike (LSS)	250015840000
7	O-Ring, Silicone, Orange, -222	250010280017
8	Lens, Clear, 0.130" Thick x 1.800" Diameter	-
9	Body, MR	-
10	Shroud Assembly, Straight, MR	-
11	Lamp, Halogen, MR-11, 12V	250010450000
12	Socket Assembly, MR-11	250010440000
13	O-Ring, Silicone, Orange, -216	250010280015
14	Spring, 2"	630900
8,10	Lens Cap Assembly	MR-LC-XX
8,15	Lens Cap Assembly (Long Shroud)	MR-LC-LS-XX

* XX = Finish code

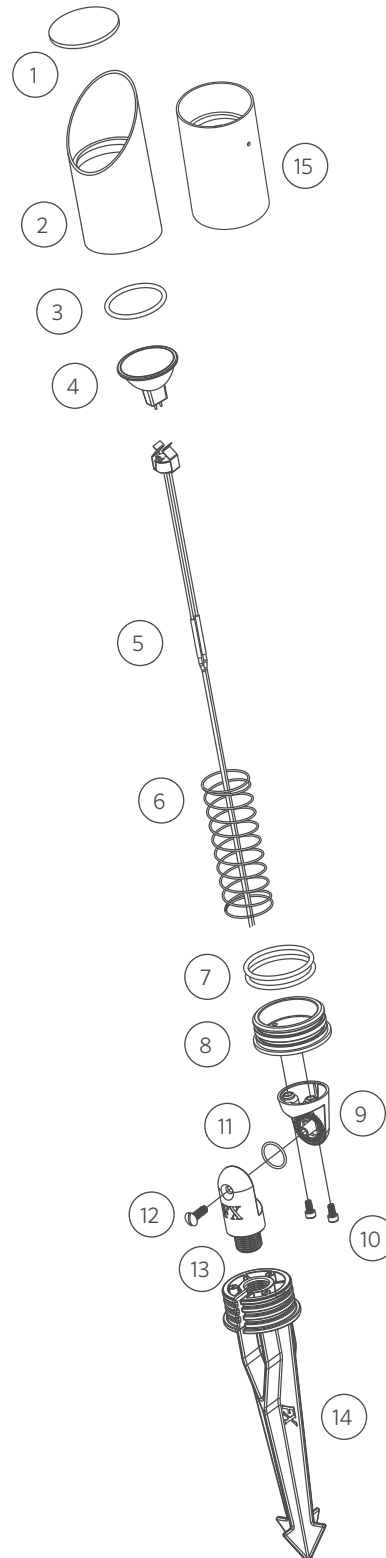
† Replace "C" with "F" for frosted lens option



LR

ITEM	DESCRIPTION	CATALOG #
1	Lens, 0.130" Thick x 2.275" Diameter	-
2	Shroud, Straight, LR	-
3	O-Ring, Silicone, Orange, -224	250010280006
4	Lamp, MR-16, 12V	See Lamp Chart, p. 124
5	Socket Assembly, MR-16, 18GA SPT-1	761600
6	Spring, Compression	405500
7	O-Ring, Silicone, Orange, -226	250010280025
8	Body, LR	-
9	Base, Knuckle, Brass	-
10	Screw, SCH, 10-24 x 3/8 LG, SST	250013940000
11	O-Ring, Silicone, Orange, -019	250010280002
12	Fitting, Knuckle, Brass	KFM-050-XX
13	Screw, Ovhd, 1/4-20 x 3/4 LG, Mach, Sltd, Brass, 82°	250010630000
14	Large Slot Spike (LSS)	250015840000
15	Shroud, Angled, LR	-
1-2	Lens Cap Assembly	LR-LC-XX
1, 15	Lens Cap Assembly (Long Shroud)	LR-LC-LS-XX

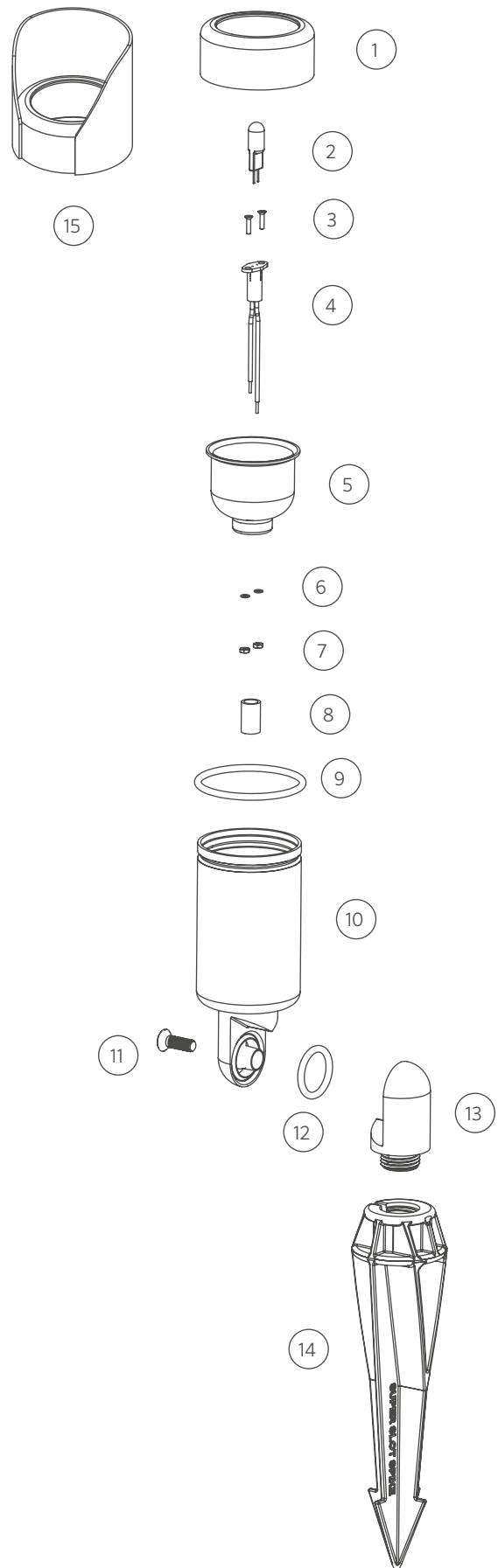
* XX = finish code



CR

ITEM	DESCRIPTION	CATALOG #
1	Lens Cap Assembly	CRLCXX*
2	Lamp, G4 Bi-Pin	See Lamp Chart, p. 124
3	Screw	-
4	Socket, T3	250010580000
5	Reflector	-
6	Washer	250010530000
7	Nut	-
8	Sleeve	-
9	O-Ring	250010280017
10	Can Assembly	-
11	Screw	250010630000
12	O-Ring	250010280005
13	Knuckle, Brass	250010610000
14	Super Slot Spike	753900
15	Glare Shroud Lens Cap Assembly	
3-8	Socket Assembly	250016000000

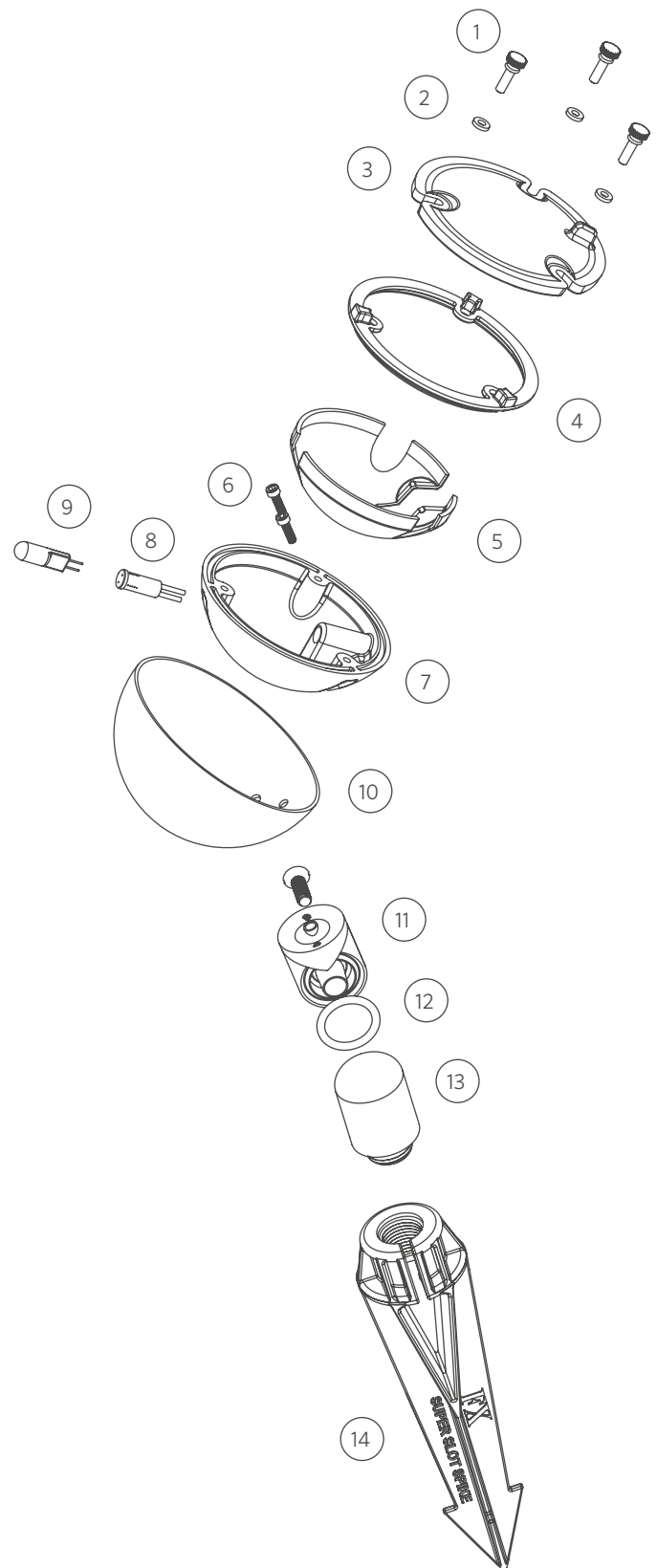
* XX = finish code



RL

ITEM	DESCRIPTION	CATALOG #
1	Screw, 8-32 x 1/2	250010700000
2	Washer	250014210000
3	Lens, Frosted	RLL3*
4	Seal	250010740000
5	Reflector	250010720000
6	Screw, 6-32 x 1/2	250010690000
7	Body	-
8	Socket	754601
9	Lamp, Xenon	See Lamp Chart, p. 124
10	Housing	-
11	Knuckle Base	-
12	O-Ring	250010280005
13	Knuckle, Brass	250010610000
14	Super Slot Spike	753900

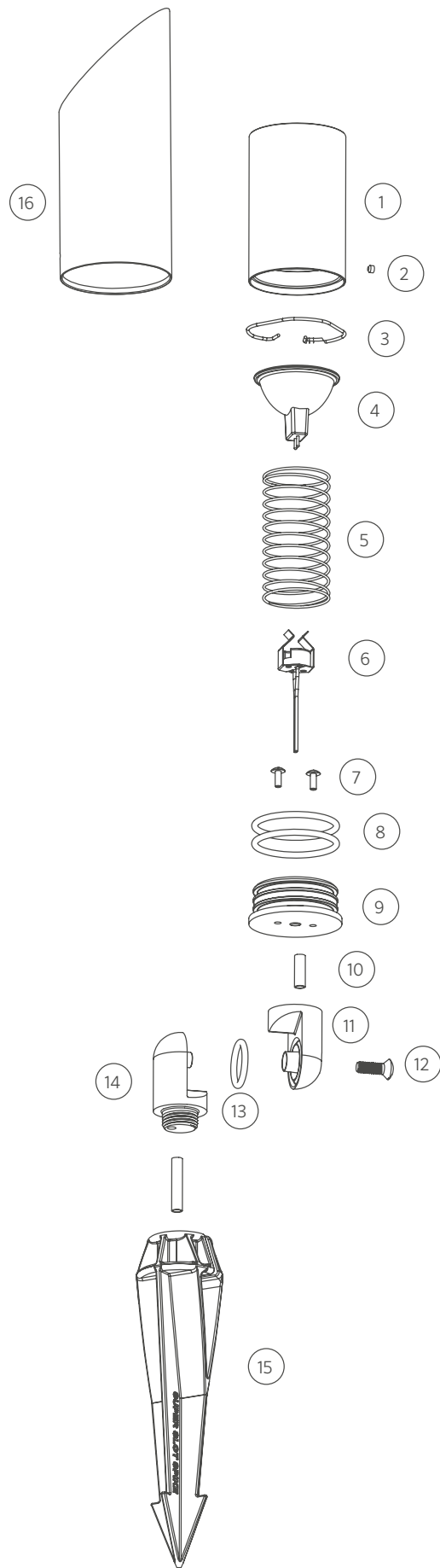
*Order RLL1 for obsolete, single-hole option



LO

ITEM	DESCRIPTION	CATALOG #
1	Lens Cap Assembly	LOLCXX*
1	Long Shroud Lens Cap Assembly	LOLCLSXX*
2	Screw, 8-32 x 1/8	250010320000
3	Spring	250010640000
4	Lamp, MR-16	See Lamp Chart, p. 124
5	Spring	-
6	Socket, MR-16	250010170000
7	Screw, 6-32 x 1/4	250010210000
8	O-Ring	250010280017
9	Base	-
10	Tube	-
11	Fitting, Knuckle, Brass	-
12	Screw, 1/4-20 x 3/4	250010630000
13	O-Ring	250010280005
14	Knuckle, Brass	250010610000
15	Super Slot Spike	753900
16	Lens Cap, Long Shroud	LOLCLSXX*
	Hex Key, 5/64	250010330000

*XX = finish code



CC LED

ITEM	DESCRIPTION	CATALOG #
1	Lens Cap Assembly (Straight, Clear)	CCLCXX* †
2	Lens Cap Assembly (Long Shroud, Clear)	CCLCLSXX* †
3-4	Beam Angle Lens	See LED Chart
5-6	Color Filter	See LED Chart
7	Screw, 4-40 x 3/8	See LED Chart
8-9	Reflector	See LED Chart
10-11	LED Board	See LED Chart
12	Socket, 3-meter	752601
13	O-Ring	250010280016
14	Housing	-
15	Screw, 1/4-20 x 3/4	250010630000
16	O-Ring	250010280005
17	Knuckle, Brass	250010610000
18	Large Slot Spike	250015840000

* XX = finish code

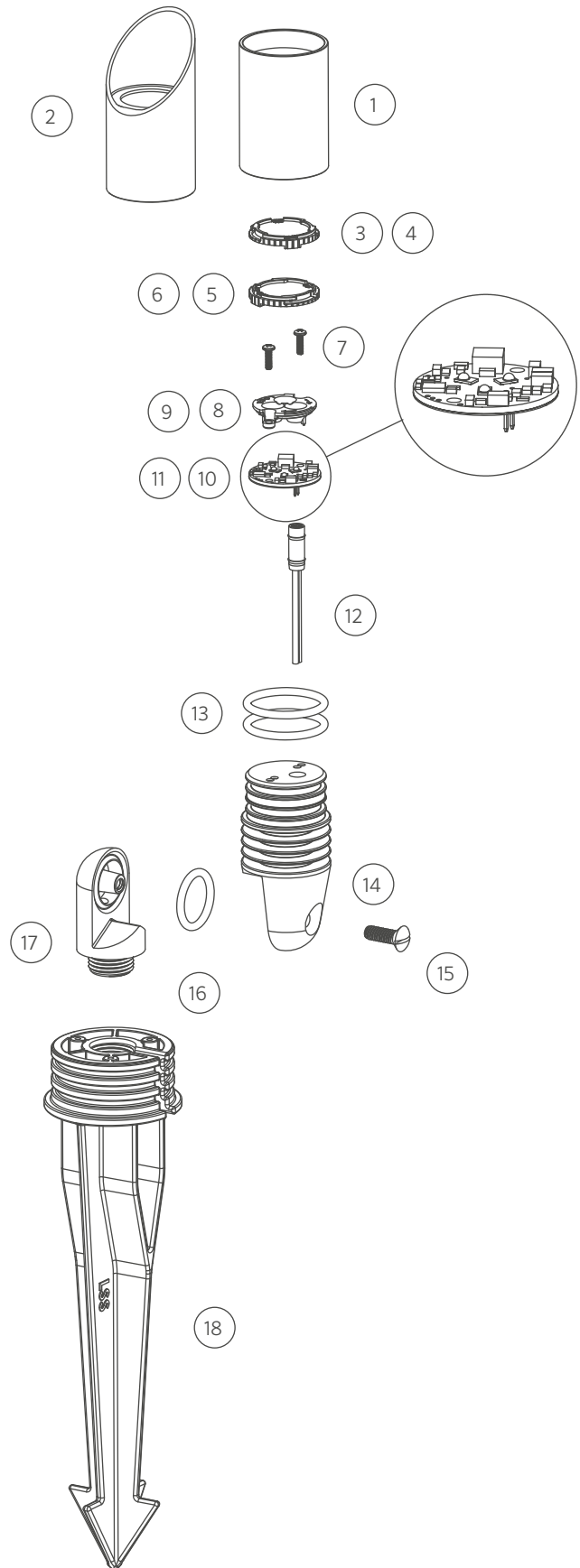
† Replace "LC" with "LF" for frosted lens option

CC LED COMPONENTS

ITEM	DESCRIPTION	CATALOG #
3	1 LED Spot Lens (18°)	770600
3	1 LED Flood Lens (30°-32°)	1LEDFLENS
3	1 LED Wide Flood Lens (56°-58°)	1LEDWFLENS
4	3 LED Diffuser	771300
4	3 LED Flood Lens (30°-32°)	3LEDFLENS
4	3 LED Wide Flood Lens (56°-58°)	3LEDWFLENS
5	1 LED Color Filter, Amber	770100
5	1 LED Color Filter, Blue	770101
5	1 LED Color Filter, Green	770102
6	3 LED Color Filter, Amber	770800
6	3 LED Color Filter, Blue	770801
6	3 LED Color Filter, Green	770802
7	1/3 LED Screw, 4-40 x 3/8 (Qty: 2)	762400
8	1 LED Reflector	770000
9	3 LED Reflector	770700
9	ZDC LED Reflector	250022050000
10	1 LED Board	1LEDULKIT‡
11	3 LED Board	3LEDULKIT‡
12	ZDC LED Board	ZDCKITM

‡ ZD = zoneable and dimmable (add ZD to front of part number)

**ZDC kit includes LED board, reflector (#9), screws (#7), and flood lens diffuser (3LEDFLENS)



VS LED

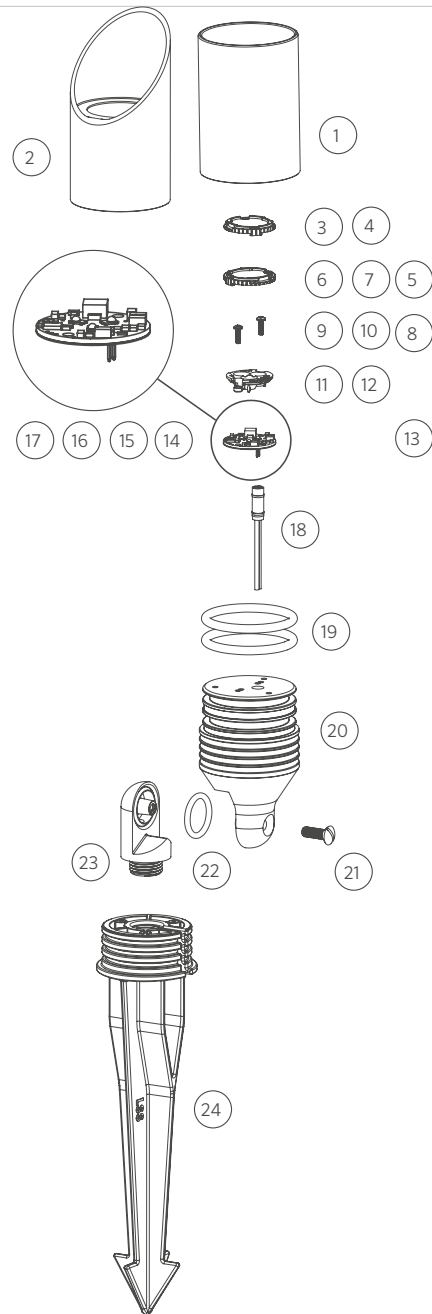
ITEM	DESCRIPTION	CATALOG #
1	Lens Cap Assembly (Straight, Clear)	VSLCXX*†
2	Lens Cap Assembly (Long Shroud, Clear)	VSLCLSXX*†
3-5	Beam Angle Lens	See LED Chart
6-8	Color Filter	See LED Chart
9-10	Screw, 4-40	See LED Chart
11-13	Reflector	See LED Chart
14-17	LED Board	See LED Chart
18	Socket, 3-meter	752601
19	O-Ring	250010280020
20	Housing	-
21	Screw, 1/4-20 x 3/4	250010630000
22	O-Ring	250010280005
23	Knuckle, Brass	250010610000
24	Large Slot Spike (LSS)	250015840000

* XX = finish code

† Replace "C" with "F" for frosted lens options

VS LED COMPONENTS

ITEM	DESCRIPTION	CATALOG #
3	1 LED Spot Lens (18°)	770600
3	1 LED Flood Lens (30°-32°)	1LEDFLENS
3	1 LED Wide Flood Lens (56°-58°)	1LEDWFLENS
4	3 LED Spot Lens (18°)	771300
4	3 LED Flood Lens (30°-32°)	3LEDFLENS
4	3 LED Wide Flood Lens (56°-58°)	3LEDWFLENS
5	6/9 LED Spot Lens (18°)	771600
5	6/9 LED Flood Lens (30°-32°)	9LEDFLENS
5	6/9 LED Wide Flood Lens (56°-58°)	9LEDWFLENS
6	1 LED Color Filter, Amber	770100
6	1 LED Color Filter, Blue	770101
6	1 LED Color Filter, Green	770102
7	3 LED Color Filter, Amber	770800
7	3 LED Color Filter, Blue	770801
7	3 LED Color Filter, Green	770802
8	6/9 LED Color Filter, Amber	771500
8	6/9 LED Color Filter, Blue	771501
8	6/9 LED Color Filter, Green	771502
9	1/3 LED Screw, 4-40 x 3/8 (Qty: 2)	762400



ITEM	DESCRIPTION	CATALOG #
10	6/9 LED Screw, 4-40 x 7/16 (Qty: 3)	250014550000
11	1 LED Reflector	770000
12	3 LED Reflector	770700
13	6/9 LED Reflector	771400
13	ZDC LED Reflector	250020690000
14	1 LED Board	1LEDULKIT†
15	3 LED Board	3LEDULKIT*
16	6 LED Board	6LEDULKIT†
17	9 LED Board	9LEDULKIT†
17	ZDC LED Board	ZDCKITL**

† ZD = zoneable and dimmable (add ZD to front of part number)

** ZDC kit includes LED board, reflector (#13), screws (#10), and flood lens (9LEDFLENS)

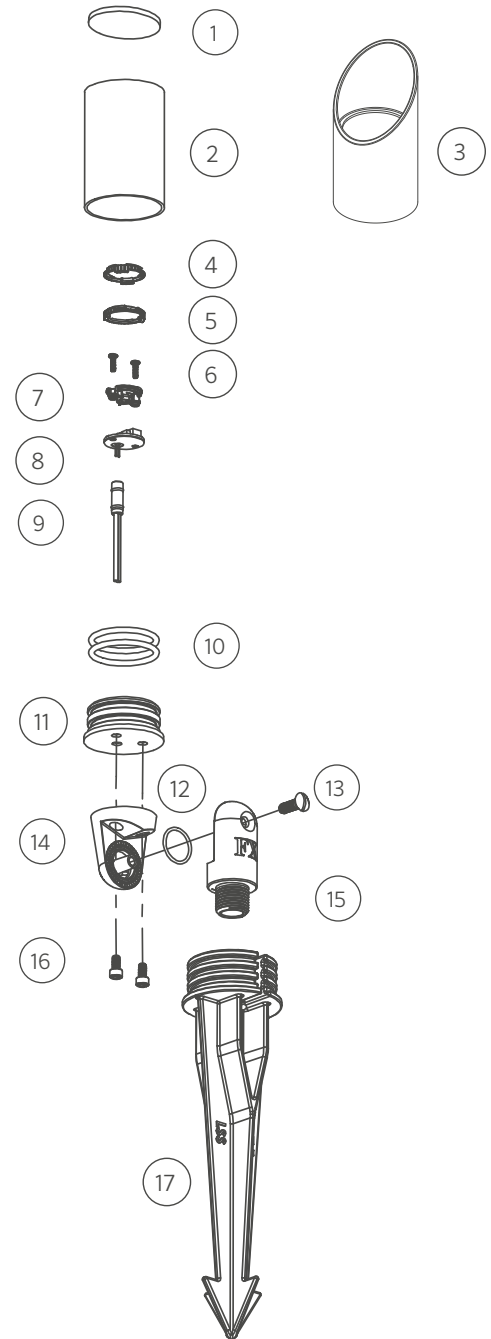
FR LED

ITEM	DESCRIPTION	CATALOG #
1	Lens, Clear, 0.130" Thick x 1.800" Diameter	-
1-2	Shroud Assembly, Straight	FRLCXX
1, 3	Shroud Assembly, Long Shroud	FRLCLSXX
4	Beam Angle Lens	See LED Chart
5	Color Filter	See LED Chart
6	Screw, PNH, 4-40 x 3/8 LG, Mach, Phillips, SST	See LED Chart
7	Reflector	See LED Chart
8	LED Board	See LED Chart
9	Socket, 3-meter	752601
10	O-Ring	250010280017
11	Body, FR	-
12	O-Ring	250010280002
13	Screw, OVHD, 1/4-20 x 3/4 LG, Mach, SLTD, Brass	250010630000
14	Base, Knuckle, Brass	-
15	Fitting, Knuckle, Brass	KFM050XX
16	Screw, SCH, 10-24 x 3/8 LG, SST	250013940000
17	Large Slot Spike (LSS)	250015840000

† Replace "C" with "F" for frosted lens option
 * XX = powder coat color code

FR LED COMPONENTS

ITEM	DESCRIPTION	CATALOG #
4	1 LED Spot Lens (18°)	770600
4	1 LED Flood Lens (30°-32°)	1LEDFLENS
4	1 LED Wide Flood Lens (56°-58°)	1LEDWFLENS
4	3 LED Spot Lens (18°)	771300
4	3 LED Flood Lens (30°-32°)	3LEDFLENS
4	3 LED Wide Flood Lens (56°-58°)	3LEDWFLENS
5	1 LED Color Filter, Amber	770100
5	1 LED Color Filter, Blue	770101
5	1 LED Color Filter, Green	770102
5	3 LED Color Filter, Amber	770800
5	3 LED Color Filter, Blue	770801
5	3 LED Color Filter, Green	770802
6	1/3 LED Screw, 4-40 x 3/8 (Qty Req: 2)	762400
7	1 LED Reflector	770000



ITEM	DESCRIPTION	CATALOG #
7	3 LED Reflector	770700
7	ZDC Reflector	250022050000
8	1 LED Board	1LEDULKIT†
8	3 LED Board	3LEDULKIT†
8	ZDC LED Board	ZDCKITM**

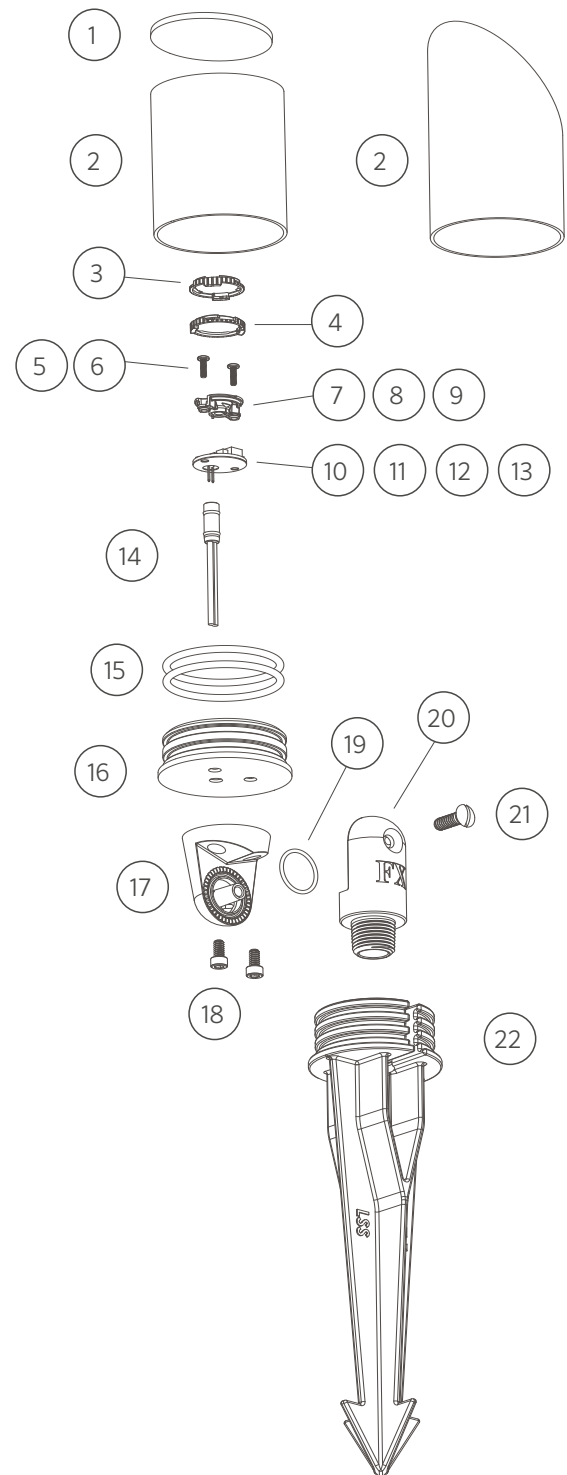
† ZD = zoneable and dimmable (add ZD to front of part number)
 ** ZDC kit includes LED board, reflector (#9), screws (#7), and flood lens diffuser (3LEDWFLENS)

NR LED

ITEM	DESCRIPTION	CATALOG #
1	Lens	-
2	Shroud, Straight or Angled (Long)	-
3	Beam Angle Lens	See LED Chart
4	Color Filter	See LED Chart
5-6	Screw, 4-40	See LED Chart
7-9	Reflector	See LED Chart
10-13	LED Board	See LED Chart
14	Socket, 3-meter	752601
15	O-Ring, Silicone, Orange	250010280025
16	Body, NR	-
17	Base, Knuckle, Brass	-
18	Screw, SCH, 10-24 x 3/8	250013940000
19	O-Ring, Silicone, Orange	250010280002
20	Fitting, Knuckle, Brass	KFM050XX
21	Screw, 1/4-20 x 3/4	250010630000
22	Large Slot Spike (LSS)	250015840000
1-2, 15	Lens Cap Assembly (Straight, Clear)	NRLCXX*†
1-2, 15	Lens Cap Assembly (Angled, Clear)	NRLCLSXX*†

*XX = finish code

† Replace "C" with "F" for frosted lens options



NR LED COMPONENTS

ITEM	DESCRIPTION	CATALOG #
3	1 LED Spot Lens (18°)	770600
3	1 LED Flood Lens (30°-32°)	1LEDFLENS
3	1 LED Wide Flood Lens (56°-58°)	1LEDWFLENS
3	3 LED Spot Lens (18°)	771300
3	3 LED Flood Lens (30°-32°)	3LEDFLENS
3	3 LED Wide Flood Lens (56°-58°)	3LEDWFLENS
3	6/9 LED Spot Lens (18°)	771600
3	9 LED Flood Lens (30°-32°)	9LEDFLENS
3	9 LED Wide Flood Lens (56°-58°)	9LEDWFLENS
4	1 LED Color Filter, Amber	770100
4	1 LED Color Filter, Blue	770101
4	1 LED Color Filter, Green	770102
4	3 LED Color Filter, Amber	770800
4	3 LED Color Filter, Blue	770801
4	3 LED Color Filter, Green	770802
4	6/9 LED Color Filter, Amber	771500
4	6/9 LED Color Filter, Blue	771501
4	6/9 LED Color Filter, Green	771502
5	1/3 LED Screw, 4-40 x 3/8 (Qty: 2)	762400
6	6/9 LED Screw, 4-40 x 7/16 (Qty: 3)	250014550000
7	1 LED Reflector	770000
8	3 LED Reflector	770700
9	6/9 LED Reflector	771400
9	ZDC LED Reflector	250020690000
10	1 LED Board	1LEDULKIT [†]
11	3 LED Board	3LEDULKIT* / ZDC3LEDKIT**
12	6 LED Board	6LEDULKIT [†]
13	9 LED Board	9LEDULKIT [†]
13	ZDC LED Board	ZDCKITL**

[†] ZD = zoneable and dimmable (add ZD to front of part number)

**ZDC kit includes LED board, reflector (#9), screws (#6), and flood lens diffuser (9LEDFLENS)

PB

ITEM	DESCRIPTION	CATALOG #
1	Lens Cap	PBLCXX*
2	O-Rings	250025950000
3	Color Filter	See LED Chart
4	Screw, 4-40 x 3/8	762400
5-6	Reflector	See LED Chart
7-8	LED Board	See LED Chart
9	Socket, 3-meter	752601
10	Housing	-
11	Screw, 10-24 x 3/8	250013940000
12	O-Ring	250010280002
13	Knuckle Subassembly	KFM050XX*
14	Screw, 1/4-20 x 3/4	250010290000
15	Super Slot Spike	753900
	Hex Key, 5/32	250016040000

* XX = powder coat color code

UP LIGHTS

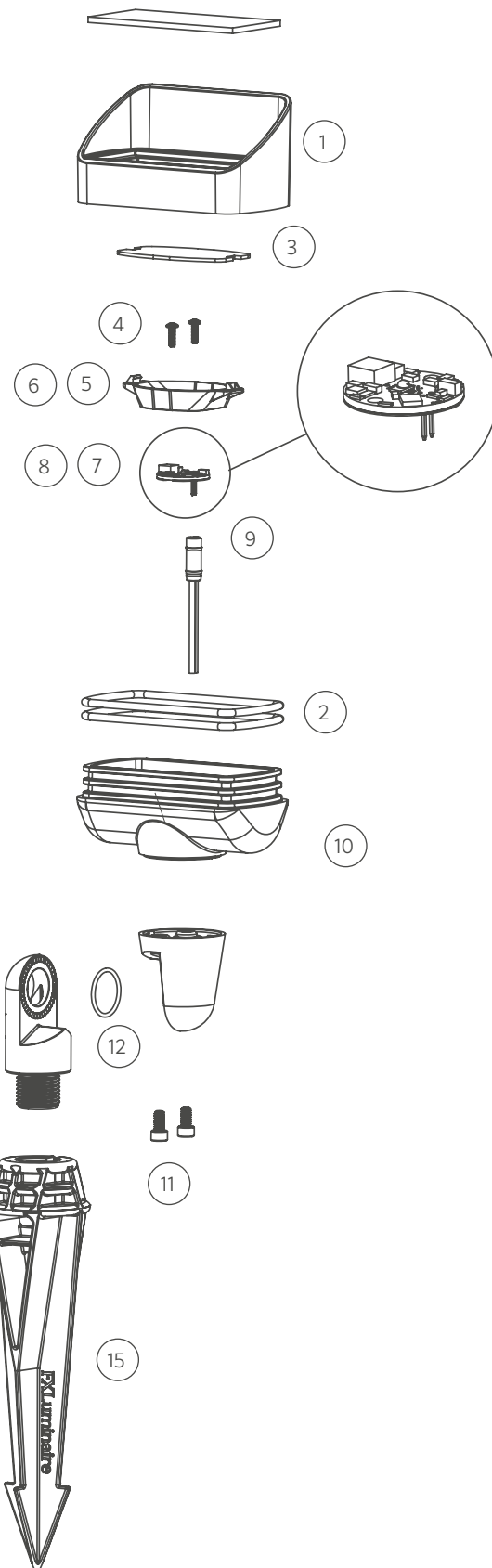
PB LED COMPONENTS

ITEM	DESCRIPTION	CATALOG #
3	Color Filter, Amber, PB	763200
3	Color Filter, Blue, PB	763201
3	Color Filter, Green, PB	763202
5	1 LED Reflector, PB	763000
6	3 LED Reflector, PB	763100
	ZDC Reflector	250022050000
7	1 LED Board	1LEDULKIT [†] **
8	3 LED Board	3LEDULKIT [†] **
	ZDC LED Board	ZDCKITM [†]

[†] ZD = zoneable and dimmable (add ZD to front of part number)

** Kits do not include PB/LC reflectors and colored filters; must order separately

[†] ZDC kit includes LED board, reflector, screws, and flood lens (3LEDFLENS)



LC LED

ITEM	DESCRIPTION	CATALOG #
1	Lens Cap	LCLCXX*
2-3	Color Filter	See LED Chart
4	Screw	See LED Chart
5-7	Reflector	See LED Chart
8-11	LED Board	See LED Chart
12	Socket, 3-meter	752601
13	O-Ring	250010280031
14	Body	-
15	Base	-
16	O-Ring	250010280002
17	Screw, 1/4-20 x 3/4	250010290000
18	Subassembly	KFM050XX*
19	Screw, 10-24 x 3/8	250013940000
20	Large Slot Spike	250015840000

*XX = powder coat color code

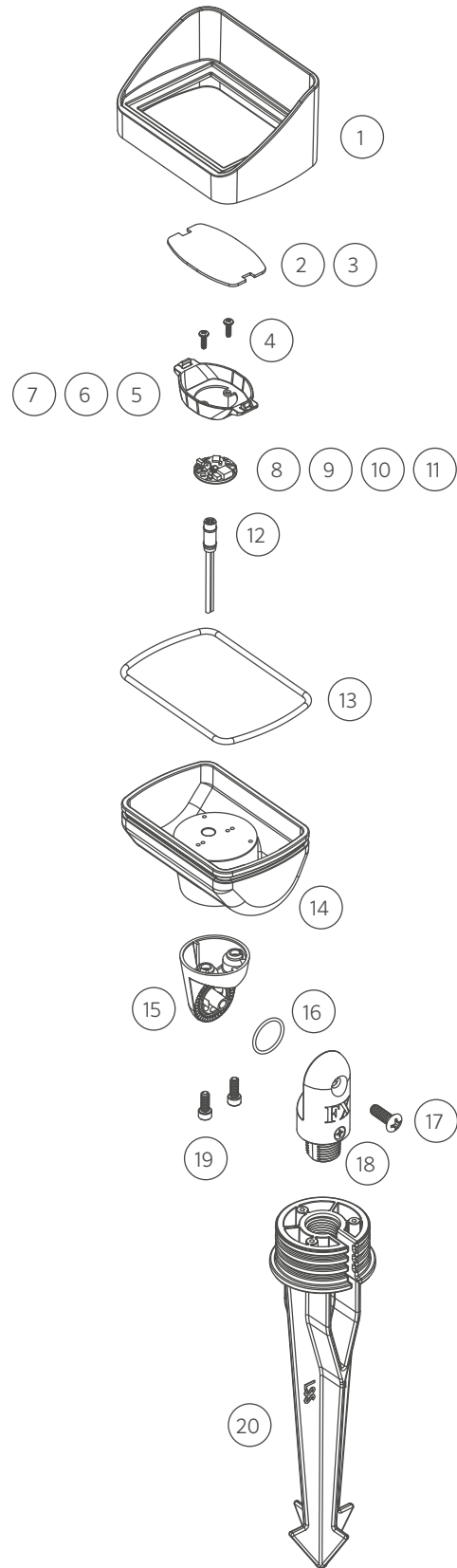
LC LED COMPONENTS

ITEM	DESCRIPTION	CATALOG #
2	1/3 LED Color Filter, Amber	763200
2	1/3 LED Color Filter, Blue	763201
2	1/3 LED Color Filter, Green	763202
3	6/9 LED Color Filter, Amber	250016560000
3	6/9 LED Color Filter, Blue	250016560001
3	6/9 LED Color Filter, Green	250016560002
4	1/3 LED Screw, 4-40 x 3/8 (Qty: 2)	762400
4	6/9 LED Screw, 4-40 x 7/16 (Qty: 3)	250014550000
5	1 LED Reflector	763000
6	3 LED Reflector	763100
6	ZDC LED Reflector	250020690000
7	6/9 LED Reflector	250016450000
8	1 LED Board	1LEDULKIT [‡] **
9	3 LED Board	3LEDULKIT [‡] **
10	6 LED Board	6LEDULKIT [‡] **
11	9 LED Board	9LEDULKIT [‡] **
11	ZDC LED Board	ZDCKITL [†]

[‡] ZD = zoneable and dimmable (add ZD to front of part number)

** Kits do not include PB/LC reflectors and colored filters; must order separately

[†] ZDC kit includes LED board, ZDC reflector, screws, and flood lens (9LEDFLLENS)



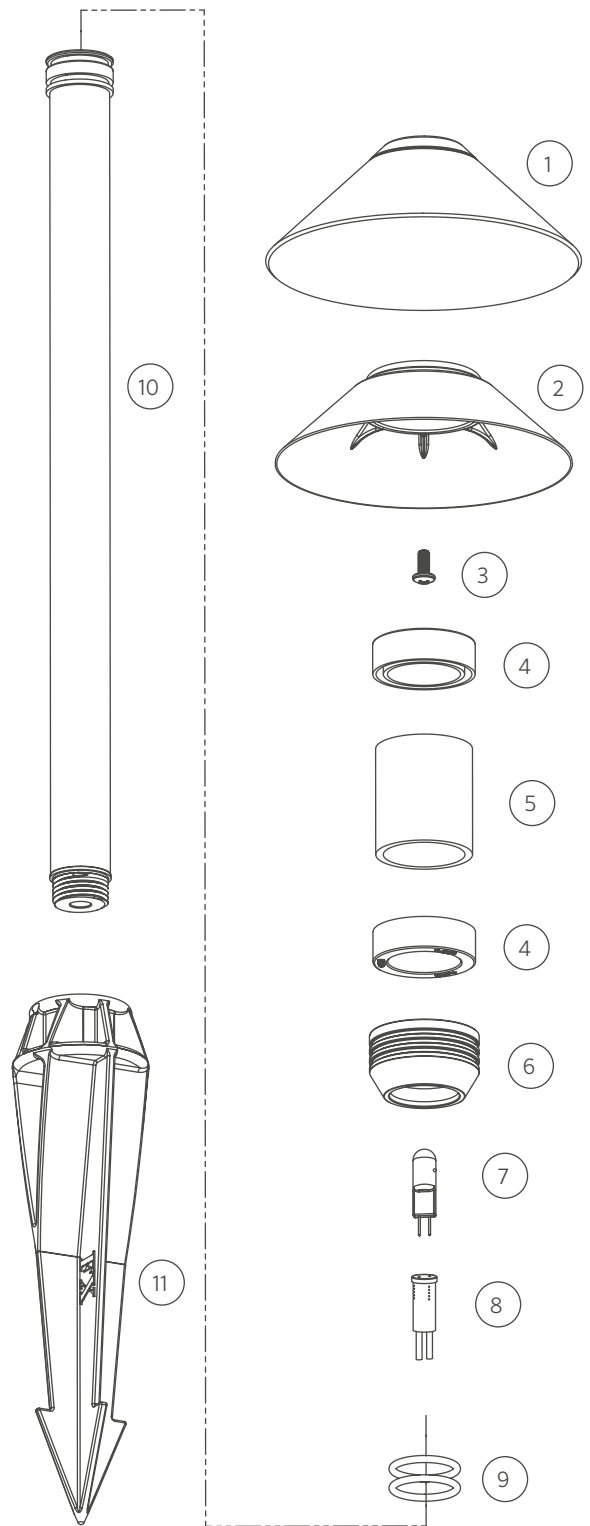
PATH LIGHTS

BD

ITEM	DESCRIPTION	CATALOG #
1	Copper Top and Brass Cap	-
2	Reflector	250012180000
3	Screw, 8-32 x 3/8"	250011950000
4	Seal	250012140000
5	Lens	250012120000
6	Reducer	250012090000
7	Lamp, G4 Bi-Pin	See Lamp Chart, p. 124
8	Socket, G4	754601
9	O-Ring	250010280004
10	Riser Sub Assembly, 3/4" Diameter	YYRA075XX*
11	Super Slot Spike	753900
1-6	Top Assembly	BDTAXX [§]
2-6	Lens Assembly	BDEASCLA

* YY = riser height in inches, XX = finish code

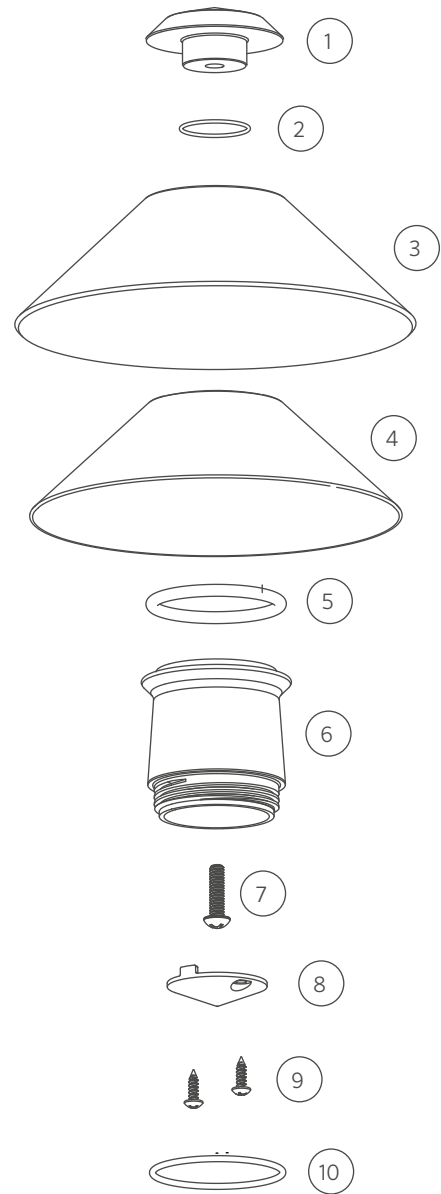
[§] Not interchangeable with BD LED Top Assembly



BD LED TOP ASSEMBLY

ITEM	DESCRIPTION	CATALOG #
1	Cap, Brass	2500121500XX*
2	O-Ring	250010280001
3	Top, Copper	-
4	Reflector, White	250015830000
5	O-Ring	250010280010
6	Lens	753100
7	Screw, 8-32 x 5/8	250012390000
8	Reflector, Chrome	-
9	Screw, #4 x 3/8	-
10	O-Ring	250010280033
8-9	Petite Cone Kit	PCONEKIT

*XX = finish code

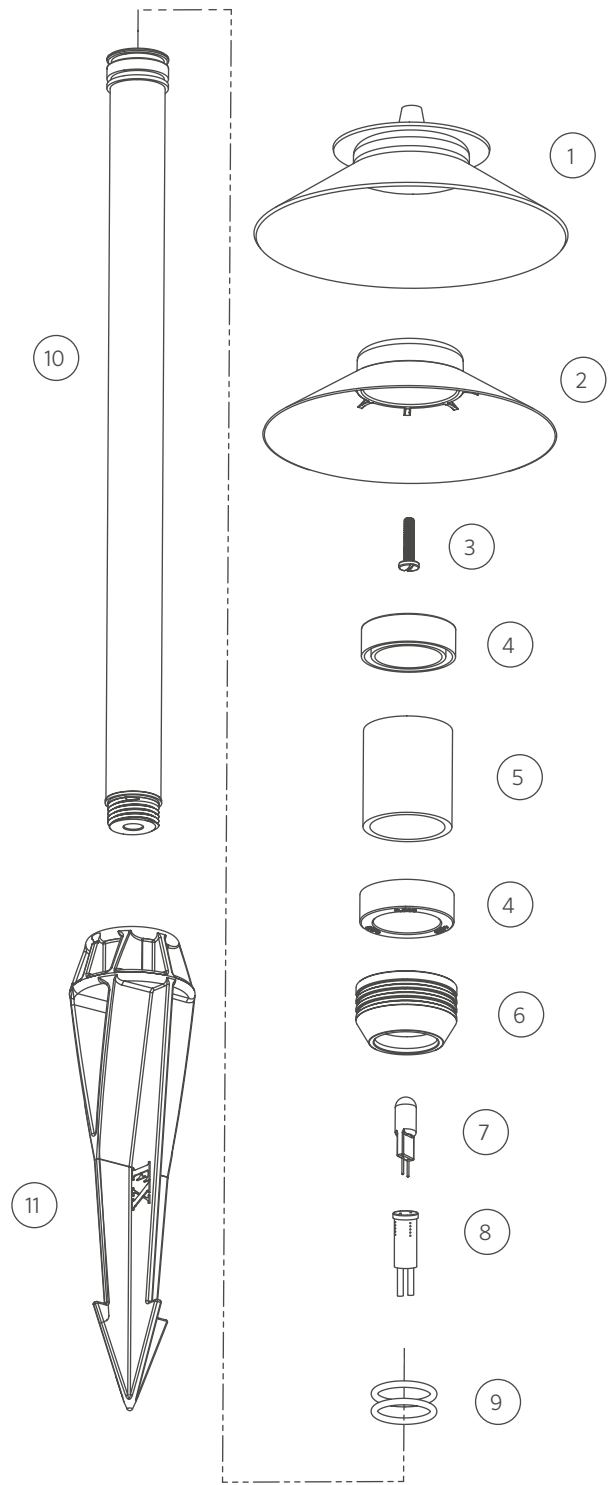


PF

ITEM	DESCRIPTION	CATALOG #
1	Copper Top, Copper Shade, Brass Cap	
2	Reflector	250012330000
3	Screw	250012320000
4	Seal, Silicone	250012140000
5	Lens	250012120000
6	Reducer	250012090000
7	Lamp, G4 Bi-Pin	See Lamp Chart, p. 124
8	O-Ring	250010280004
9	Socket, G4	754601
10	Riser Sub Assembly	YYRA075XX*
11	Super Slot Spike	753900
1-6	Top Assembly	PFTAXX* [§]
2-6	Lens Assembly	PFLA

* YY = riser height in inches, XX = finish code

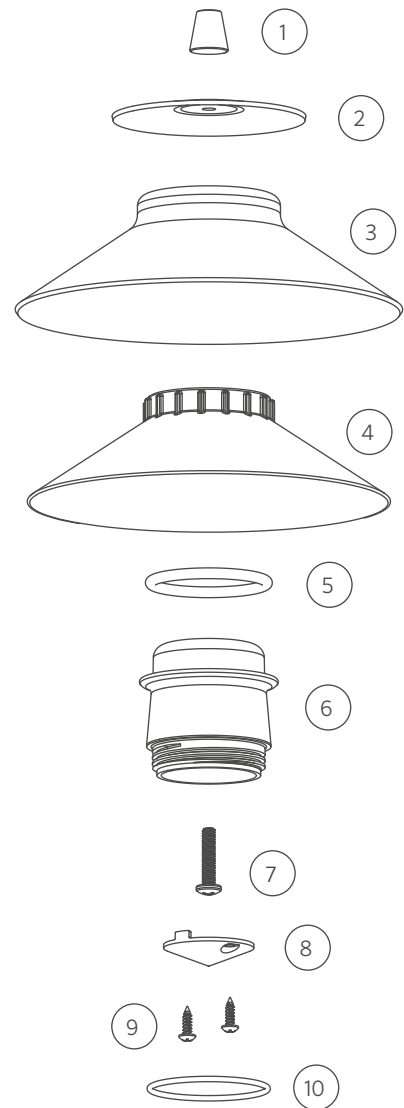
[§] Not interchangeable with PF LED Top Assembly



PF LED TOP ASSEMBLY

ITEM	DESCRIPTION	CATALOG #
1	Cap, Brass	2500123000XX*
2	Shade	-
3	Top, Copper	-
4	Reflector, White	250015820000
5	O-Ring	250010280010
6	Lens	753200
7	Screw, 8-32 x 3/4	250018780000
8	Reflector, Chrome	-
9	Screw, #4 x 3/8	-
10	O-Ring	250010280033
8-9	Petite Cone Kit	PCONEKIT

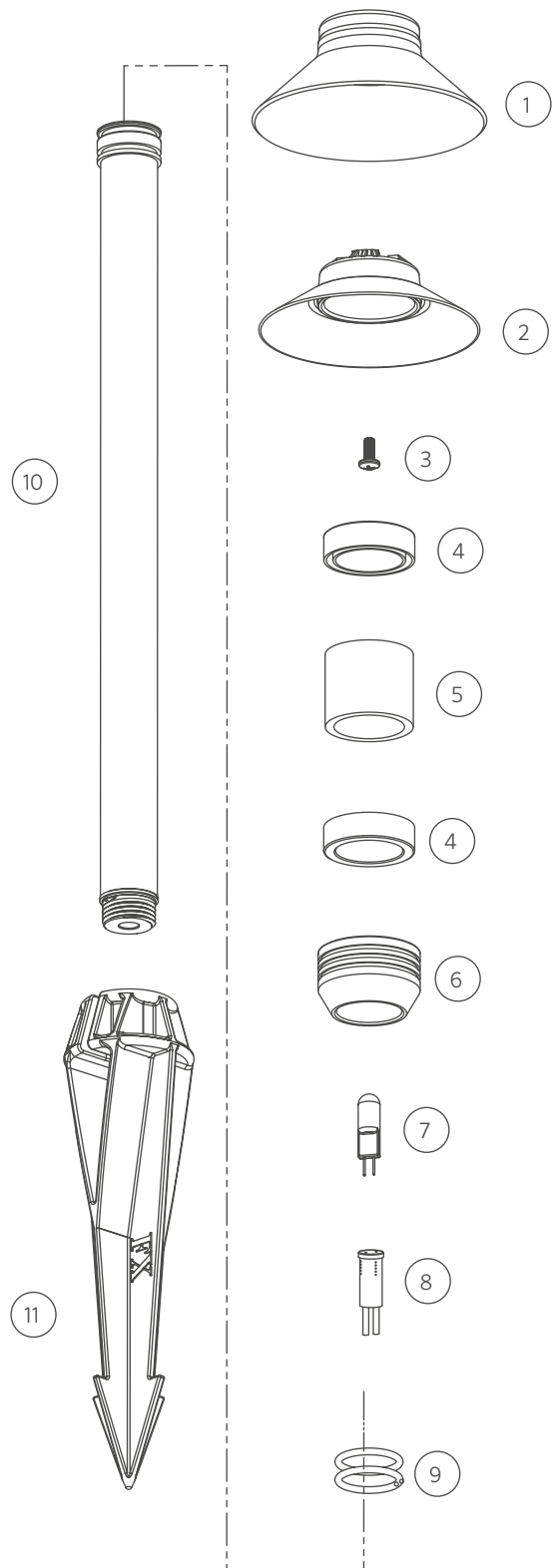
*XX = finish code



SP

ITEM	DESCRIPTION	CATALOG #
1	Copper Top and Brass Cap	-
2	Reflector	250016020000
3	Screw, 8-32 x 3/8	250011950000
4	Seal	250011980000
5	Glass Lens	250011960000
6	Reducer	250011820000
7	Lamp, G4 Bi-Pin	See Lamp Chart, p. 124
8	Socket, G4	754601
9	O-Ring	250010280004
10	Riser Assembly	YYRA075XX*
11	Super Slot Spike	753900
1-6	Top Assembly	SPTAXX*
2-6	Lens Assembly	SPLA

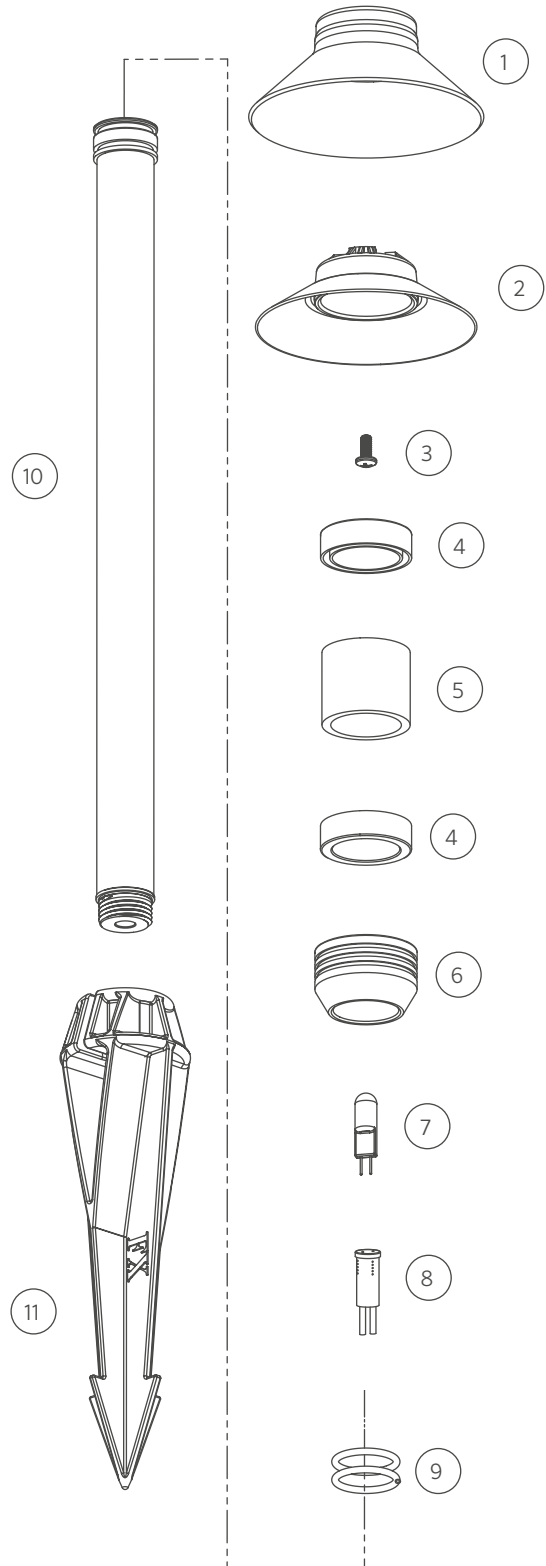
* YY = riser height in inches, XX = finish code



SP-A

ITEM	DESCRIPTION	CATALOG #
1-6	Top, AL, SP	SPA-TA-XX
2-6	Lens Assembly	SPLA
2	Reflector, SP	250016020000
3	Screw, PNH, 8-32 x 0.38 LG, Mach, Phillips, SST	250011950000
4	Seal, Silicone, 1.398 Dia x 0.400 H	250011980000
5	Lens, Glass, 1.335 Dia x 1.181 H	250011960000
6	Reducer, Al, Petite, INC	
7	Lamp, LED, G4, 2700K, 20W, 12V	G4LED20W
8	Overmolded Connector	754601
9	O-Ring, Silicone, Orange, -115	250010280004
10	Riser Subassembly, 3/4" Diameter NOM, INC, AL	12R-SP-AL
11	Super Slot Spike	753900

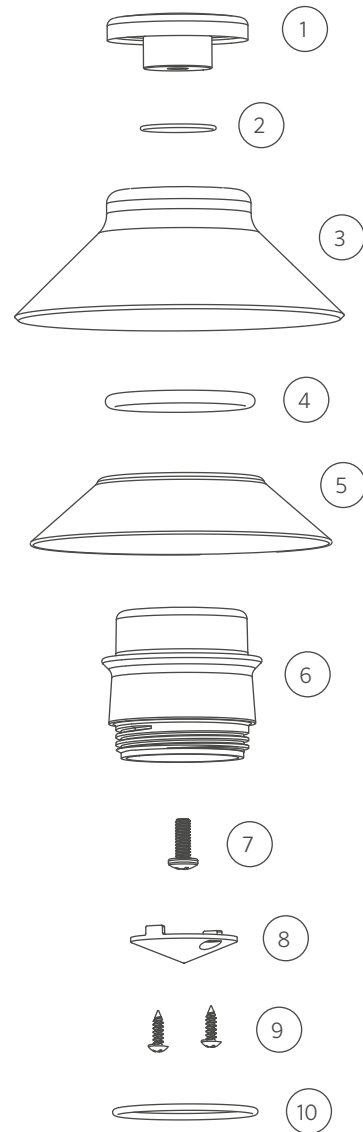
* YY = riser height in inches, XX = finish code



HC LED TOP ASSEMBLY

ITEM	DESCRIPTION	CATALOG #
1	Cap, Brass	2500118000XX*
2	O-Ring	250010280001
3	Top, Copper	-
4	O-Ring	250010280010
5	Reflector, White	756200
6	Lens	753000
7	Screw, 8-32 x 7/16	750103
8	Reflector, Chrome	-
9	Screw, #4 x 3/8	-
10	O-Ring	250010280033
8-9	Petite Cone Kit	PCONEKIT

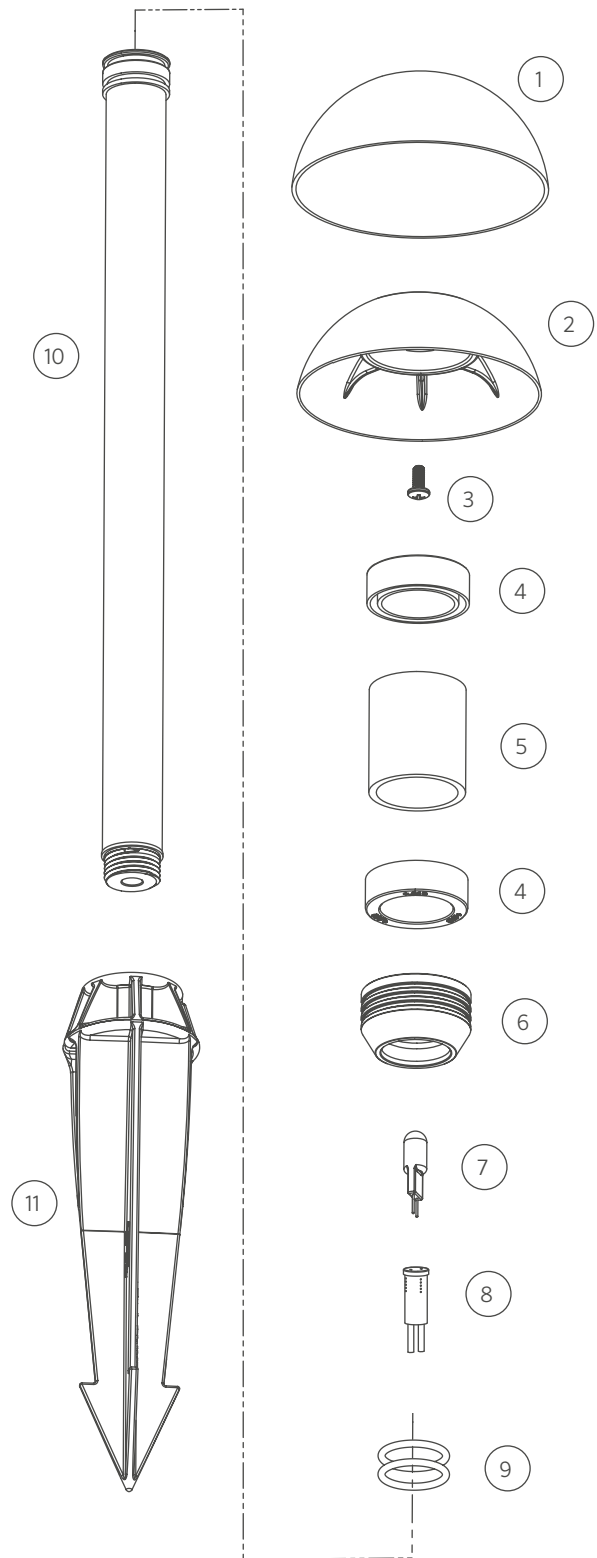
*XX = finish code



PR

ITEM	DESCRIPTION	CATALOG #
1	Copper Top and Brass Cap	-
2	Reflector	250012330000
3	Screw, 8-32 x 3/8	250011950000
4	Seal	250012140000
5	Lens	250012120000
6	Reducer	250012090000
7	Lamp	See Lamp Chart, p. 124
8	O-Ring	250010280004
9	Socket, G4	754601
10	Riser Sub Assembly	YYRA075XX*
11	Super Slot Spike	753900
1-6	Top Assembly	PRTAXX ⁵
2-6	Lens Assembly	PRLA

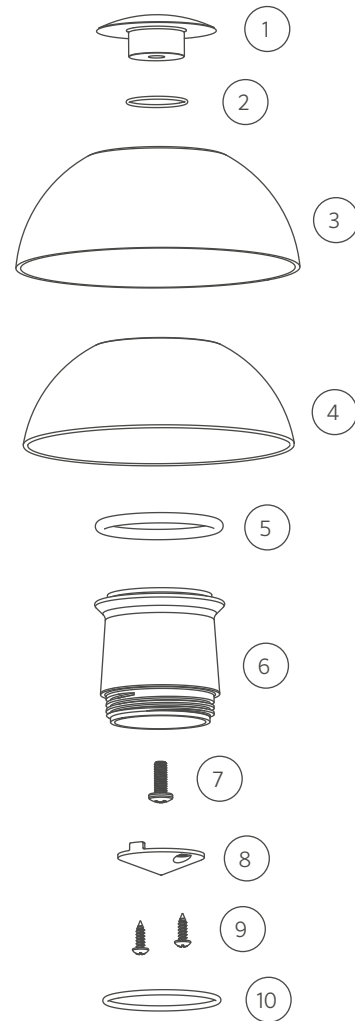
* YY = riser height in inches, XX = finish code
⁵ Not interchangeable with PR LED Top Assembly



PR LED TOP ASSEMBLY

ITEM	DESCRIPTION	CATALOG #
1	Cap, Brass	2500118900XX*
2	O-Ring	250010280001
3	Top, Copper	-
4	Reflector, White	250015810000
5	O-Ring	250010280010
6	Lens	753100
7	Screw, 8-32 x 7/16	750103
8	Reflector, Chrome	-
9	Screw, #4 x 3/8	-
10	O-Ring	250010280033
8-9	Petite Cone Kit	PCONEKIT

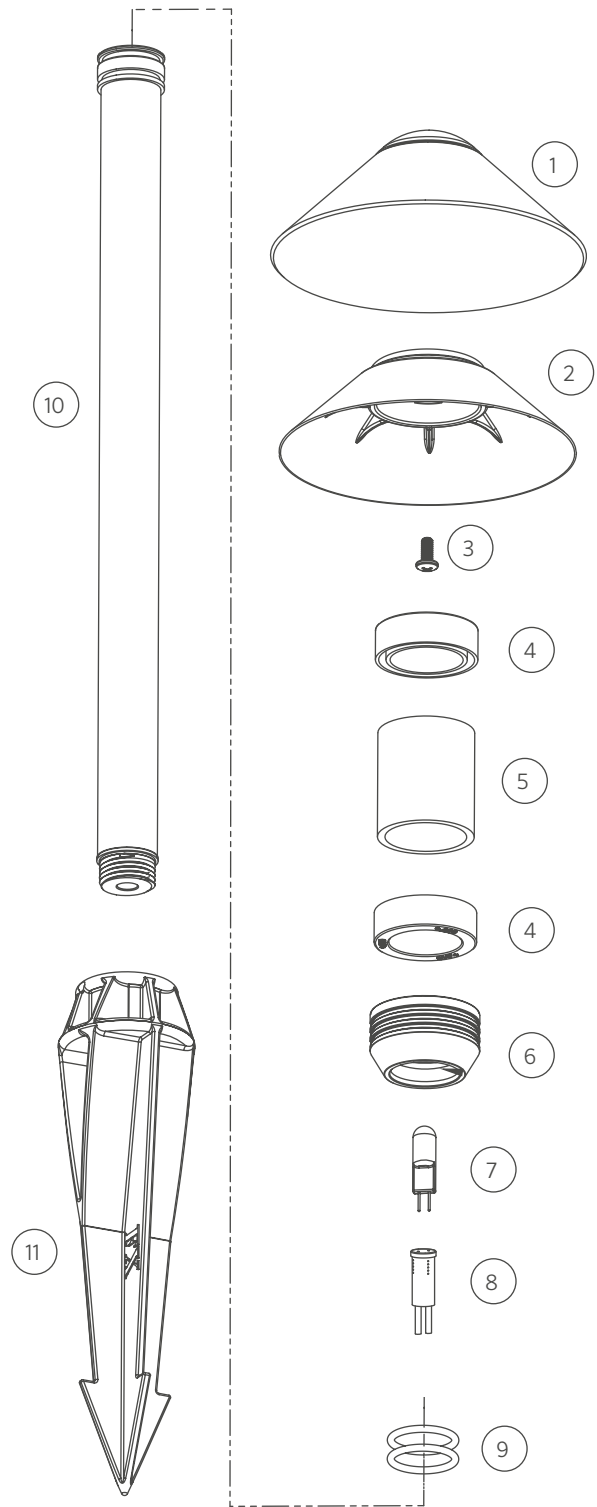
*XX = finish code



SC

ITEM	DESCRIPTION	CATALOG #
1	Copper Top and Brass Cap	-
2	Reflector	250012180000
3	Screw, 8-32 x 3/8	250011950000
4	Seal	250012140000
5	Lens	250012120000
6	Reducer	250012090000
7	Lamp	See Lamp Chart, p. 124
8	Socket, G4	754601
9	O-Ring	250010280004
10	Riser Sub Assembly	YYRA075XX*
11	Super Slot Spike	753900
1-6	Top Assembly	SCTAXX* ⁵
2-6	Lens Assembly	BDEASCLA

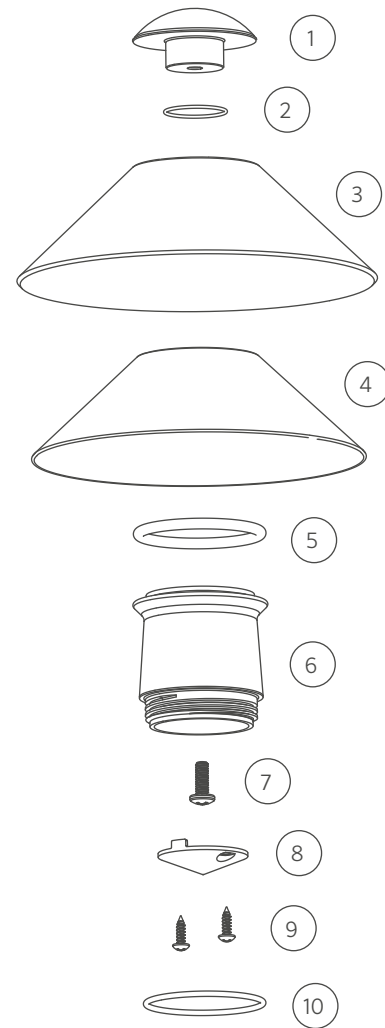
* YY = riser height in inches, XX = finish code
⁵ Not interchangeable with SC LED Top Assembly



SC LED TOP ASSEMBLY

ITEM	DESCRIPTION	CATALOG #
1	Cap, Brass	2500118400XX*
2	O-Ring	250010280001
3	Top, Copper	-
4	Reflector, White	250015830000
5	O-Ring	250010280010
6	Lens	753100
7	Screw, 8-32 x 7/16	750103
8	Reflector, Chrome	-
9	Screw, #4 x 3/8	-
10	O-Ring	250010280033
8-9	Petite Cone Kit	PCONEKIT

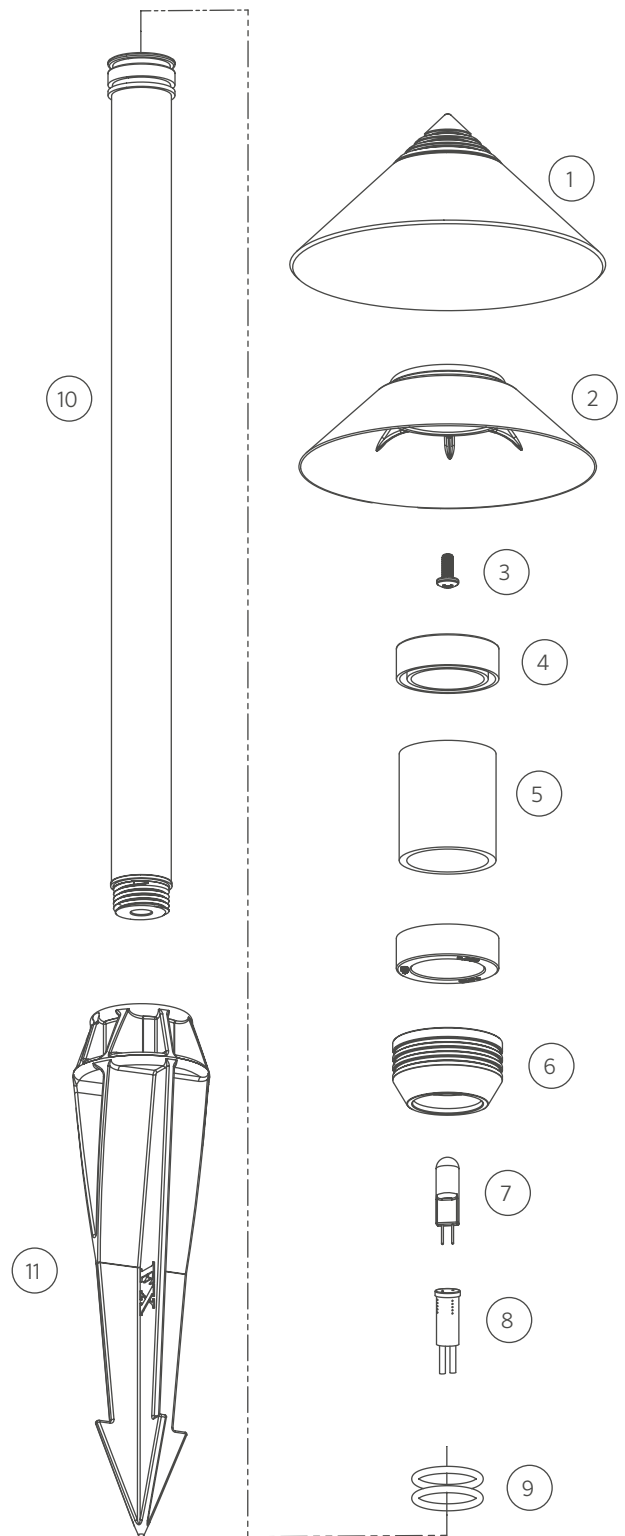
*XX = finish code



EA

ITEM	DESCRIPTION	CATALOG #
1	Copper Top and Brass Cap	-
2	Reflector	250012180000
3	Screw, 8-32 x 3/8	250011950000
4	Seal	250012140000
5	Lens	250012120000
6	Reducer	250012090000
7	Lamp	See Lamp Chart, p. 124
8	Socket, G4	754601
9	O-Ring	250010280004
10	Riser Sub Assembly	YYRA075XX*
11	Super Slot Spike	753900
1-6	Top Assembly	EATAXX* [§]
2-6	Lens Assembly	BDEASCLA

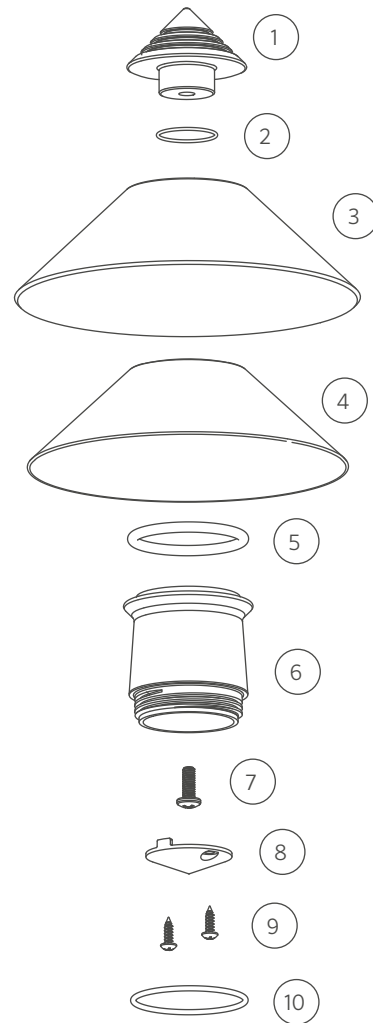
* YY = riser height in inches, XX = finish code
[§] Not interchangeable with EA LED Top Assembly



EA LED TOP ASSEMBLY

ITEM	DESCRIPTION	CATALOG #
1	Cap, Brass	2500122000XX*
2	O-Ring	250010280001
3	Top, Copper	-
4	Reflector, White	250015830000
5	O-Ring	250010280010
6	Lens	753100
7	Screw, 8-32 x 7/16	750103
8	Reflector, Chrome	-
9	Screw, #4 x 3/8	-
10	O-Ring	250010280033
8-9	Petite Cone Kit	PCONEKIT

** XX = finish code

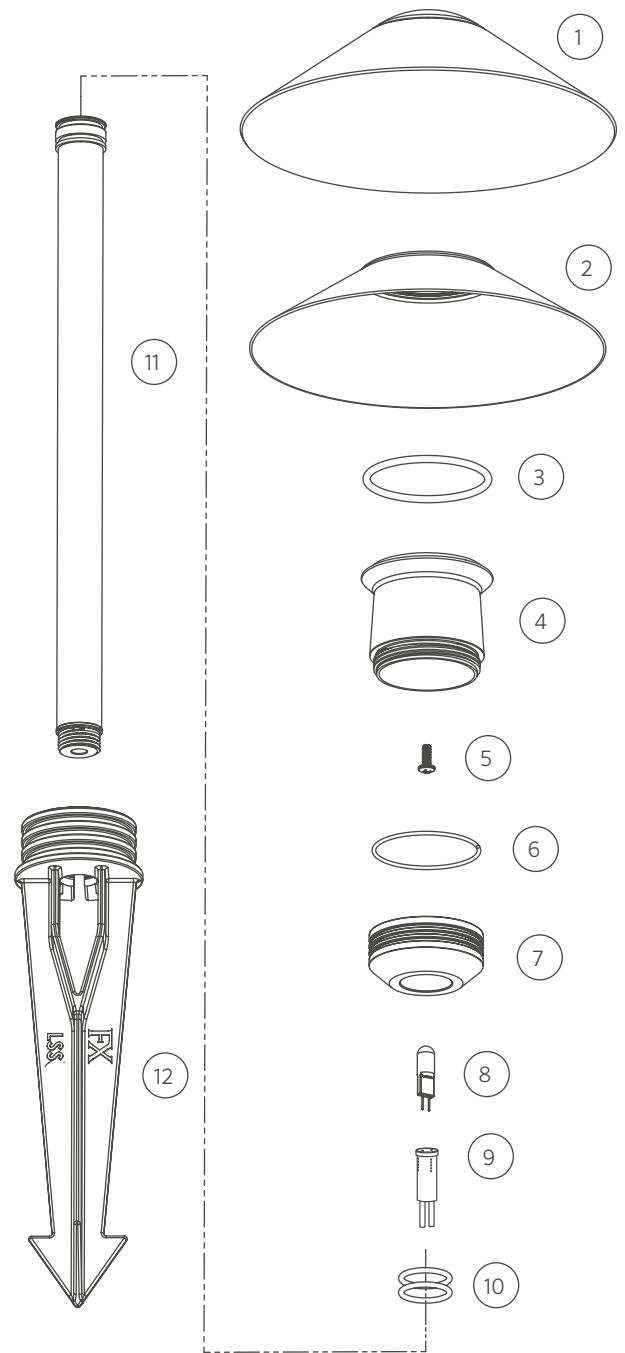


CA

ITEM	DESCRIPTION	CATALOG #
1	Copper Top and Brass Cap	-
2	Reflector, White	755100
3	O-Ring	250010280012
4	Lens	753401
5	Screw, 8-32 x 7/16	750103
6	O-Ring	250010280009
7	Reducer	250013300000
8	Lamp, G4 Bi-Pin	See Lamp Chart, p. 124
9	Socket, G4	754601
10	O-Ring	250010280004
11	Riser Sub Assembly	YYRA075XX*
12	Large Slot Spike (LSS)	250015840000
1-7	Top Assembly	CATAXX [§]
2-7	Lens Assembly	CACBCVQFLA

* YY = riser height in inches, XX = finish code

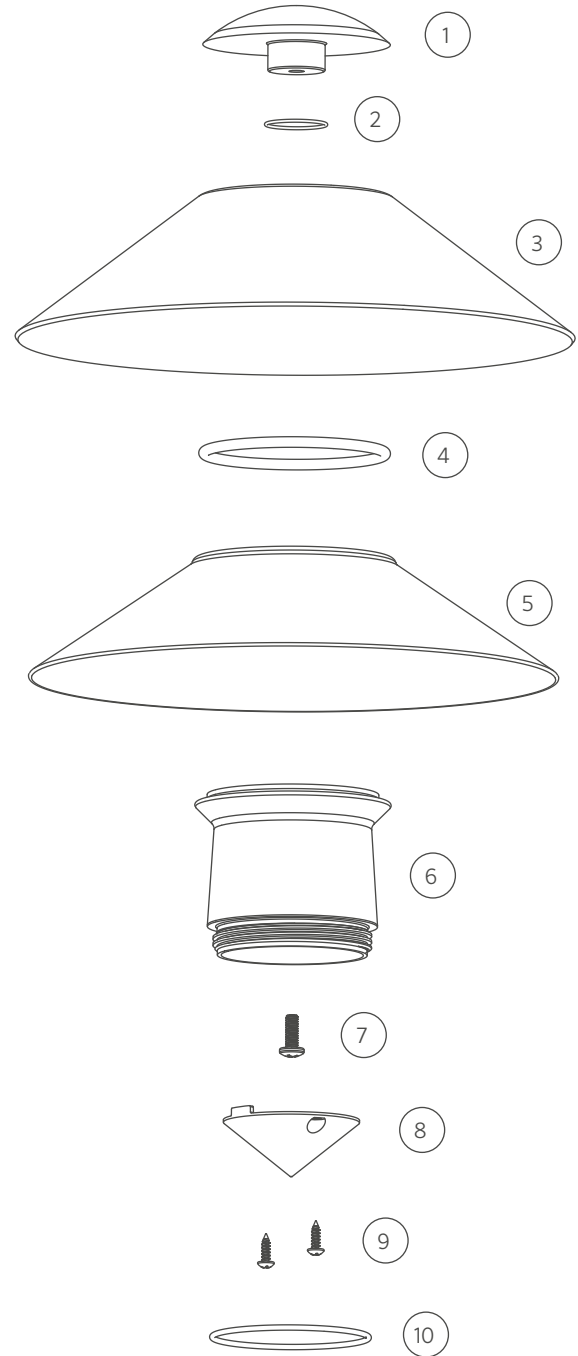
§ Not interchangeable with CA LED Top Assembly



CA LED TOP ASSEMBLY

ITEM	DESCRIPTION	CATALOG #
1	Top, Copper	2500125500XX*
2	O-Ring	250010280001
3	Cap, Brass	-
4	O-Ring	250010280012
5	Reflector, White	755100
6	Lens	753400
7	Screw, 8-32 x 7/16	750103
8	Reflector, Chrome	-
9	Screw, #4 x 3/8	-
10	O-Ring	250010280032
8-9	Grande Cone Kit	GCONEKIT

*XX = finish code

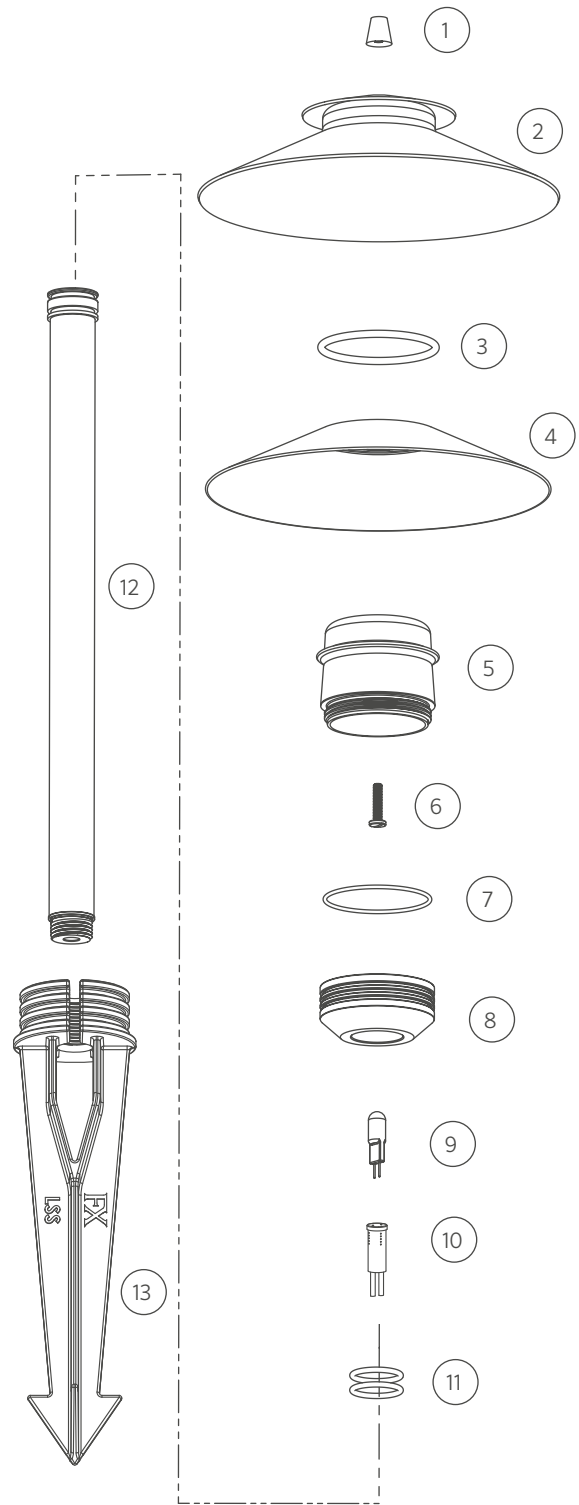


DM

ITEM	DESCRIPTION	CATALOG #
1	Cap Nut, Brass	2500123000XX*
2	Copper Top and Copper Shade	-
3	O-Ring	250010280011
4	Reflector	754900
5	Lens	753501
6	Screw, 8-32 x 3/4	250012320000
7	O-Ring	250010280009
8	Reducer	250013300000
9	12V Lamp	See Lamp Chart, p. 124
10	Socket, G4	754601
11	O-Ring	250010280004
12	Riser Assembly	YYRA075XX*
13	Super Slot Spike	753900
2-9	Top Assembly	DMTAXX [§]
4-9	Lens Assembly	DMLA

* YY = riser height in inches, XX = finish code

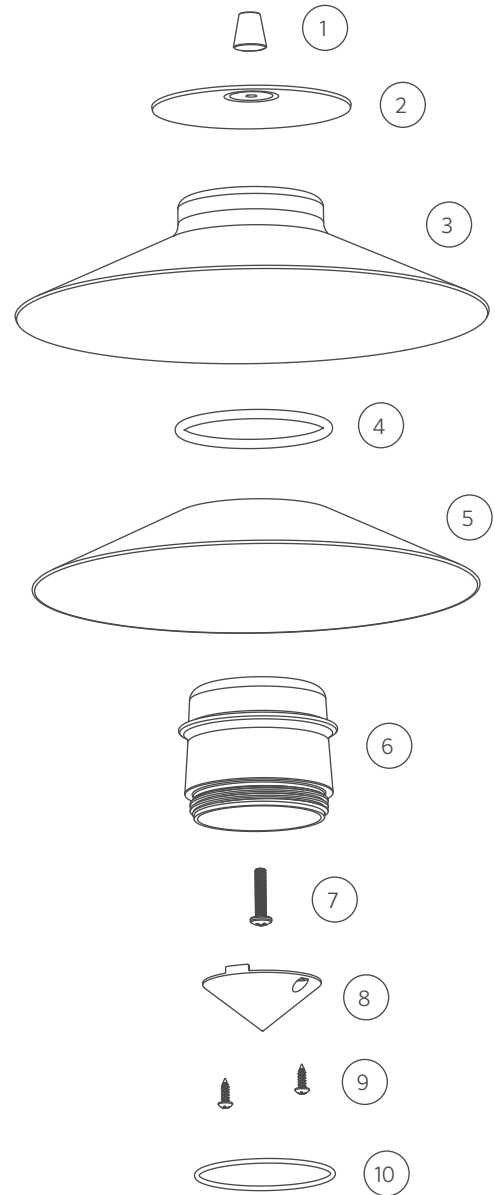
§ Not interchangeable with DM LED Top Assembly



DM LED TOP ASSEMBLY

ITEM	DESCRIPTION	CATALOG #
1	Cap Nut, Brass	2500123000XX*
2	Shade, Copper	2500124500XX*
3	Top, Copper	-
4	O-Ring	250010280011
5	Reflector, White	754900
6	Lens	753500
7	Screw, 8-32 x 3/4	250018780000
8	Reflector, Chrome	-
9	Screw, #4 x 3/8	-
10	O-Ring	250010280032
8-9	Grande Cone Kit	GCONEKIT

*XX = finish code

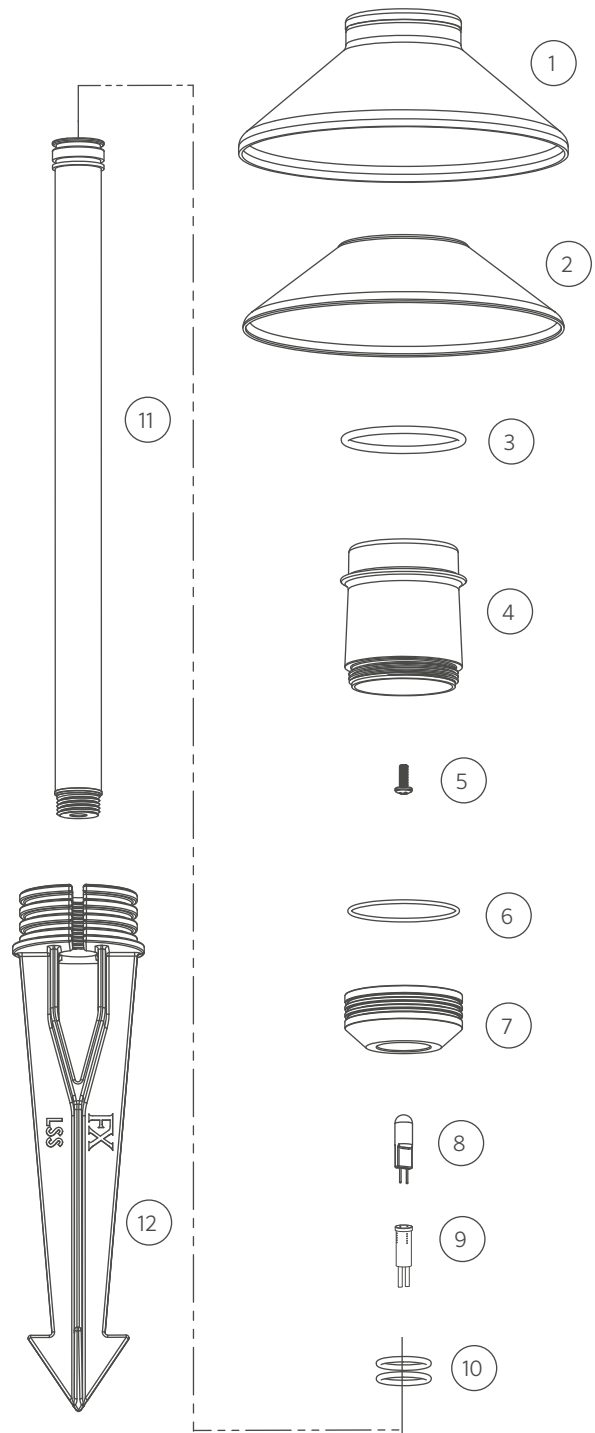


DL

ITEM	DESCRIPTION	CATALOG #
1	Copper Top and Brass Cap	-
2	Reflector	755000
3	O-Ring	250010280012
4	Lens	753301
5	Screw, 8-32 x 7/16	750103
6	O-Ring	250010280009
7	Reducer	250013300000
8	Lamp, G4 Bi-Pin	See Lamp Chart, p. 124
9	Socket, G4	754601
10	O-Ring	250010280004
11	Riser Assembly	YYRA075XX*
12	Large Slot Spike	250015840000
1-7	Top Assembly	DLTAXX* [§]
2-7	Lens Assembly	DLLA

* YY = riser height in inches, XX = finish code

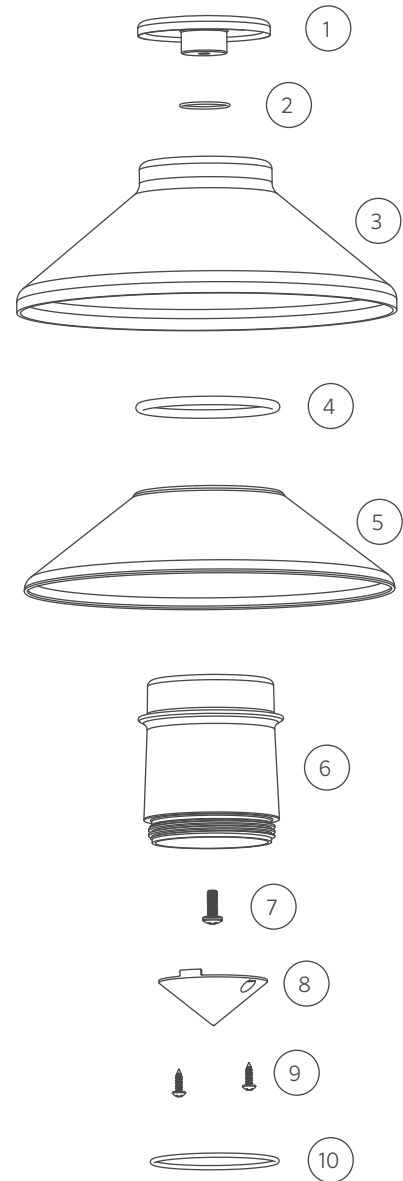
[§] Not interchangeable with DM LED Top Assembly



JS LED TOP ASSEMBLY

ITEM	DESCRIPTION	CATALOG #
1	Cap, Brass	2500133300XX*
2	O-Ring	250010280001
3	Top, Copper	-
4	O-Ring	250010280011
5	Reflector, White	755000
6	Lens	753300
7	Screw, 8-32 x 7/16	750103
8	Reflector, Chrome	-
9	Screw, #4 x 3/8	-
10	O-Ring	250010280032
8-9	Grande Cone Kit	GCONEKIT

*XX = finish code

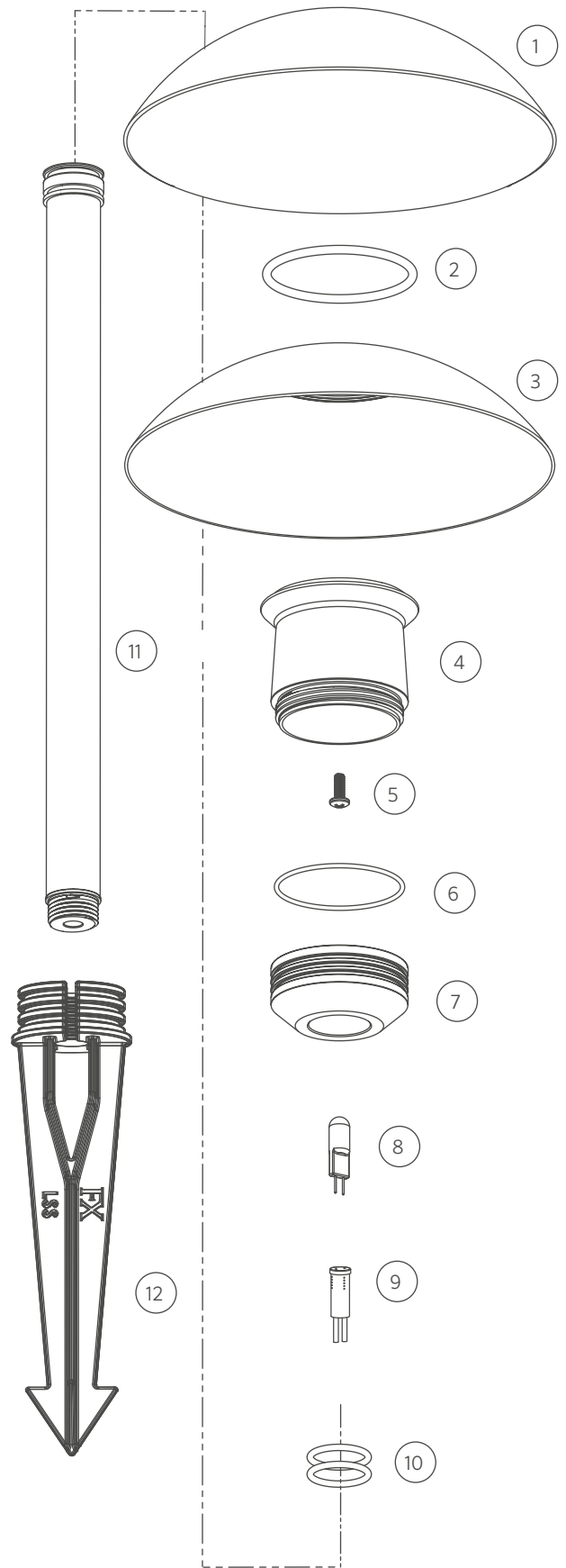


CV

ITEM	DESCRIPTION	CATALOG #
1	Cap	-
2	O-Ring	250010280012
3	Reflector	756300
4	Lens	753401
5	Screw, 8-32 x 7/16	750103
6	O-Ring	250010280009
7	Reducer	250013300000
8	Lamp, G4 Bi-Pin	See Lamp Chart, p. 124
9	Socket, G4	754601
10	O-Ring	250010280004
11	Riser Assembly	YYRA075XX*
12	Super Slot Spike	753900
1-7	Top Assembly	CVTAXX [§]
2-7	Lens Assembly	CACBCVQFLA

* YY = riser height in inches, XX = finish code

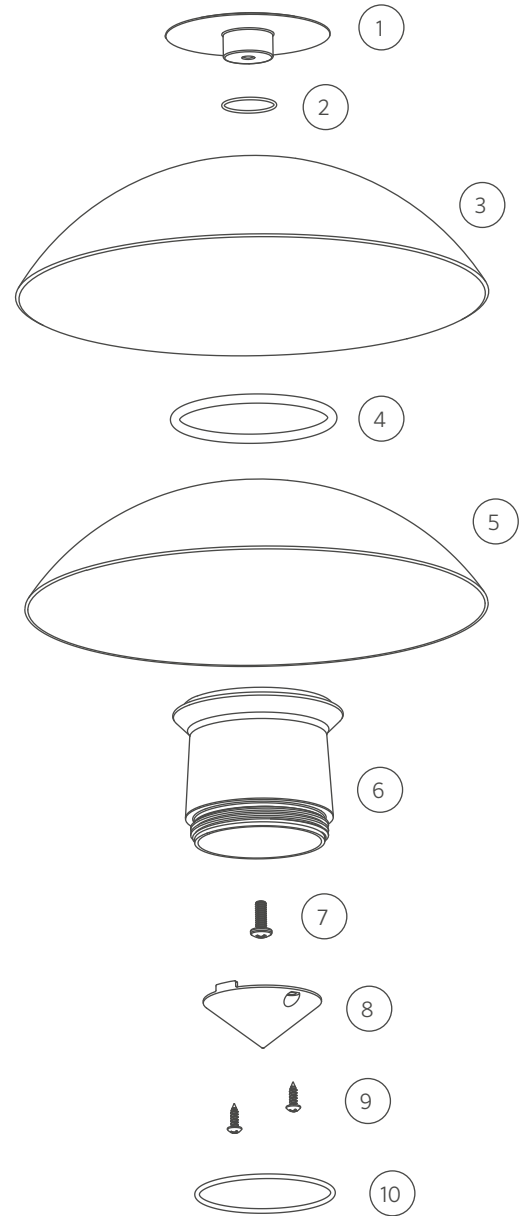
§ Not interchangeable with CV LED Top Assembly



CV LED TOP ASSEMBLY

ITEM	DESCRIPTION	CATALOG #
1	Cap, Brass	2500125100XX*
2	O-Ring	250010280001
3	Top, Copper	-
4	O-Ring	250010280012
5	Reflector, White	756300
6	Lens	753400
7	Screw, 8-32 x 7/16	750103
8	Reflector, Chrome	-
9	Screw, #4 x 3/8	-
10	O-Ring	250010280032
8-9	Grande Cone Kit	GCONEKIT

*XX = finish code

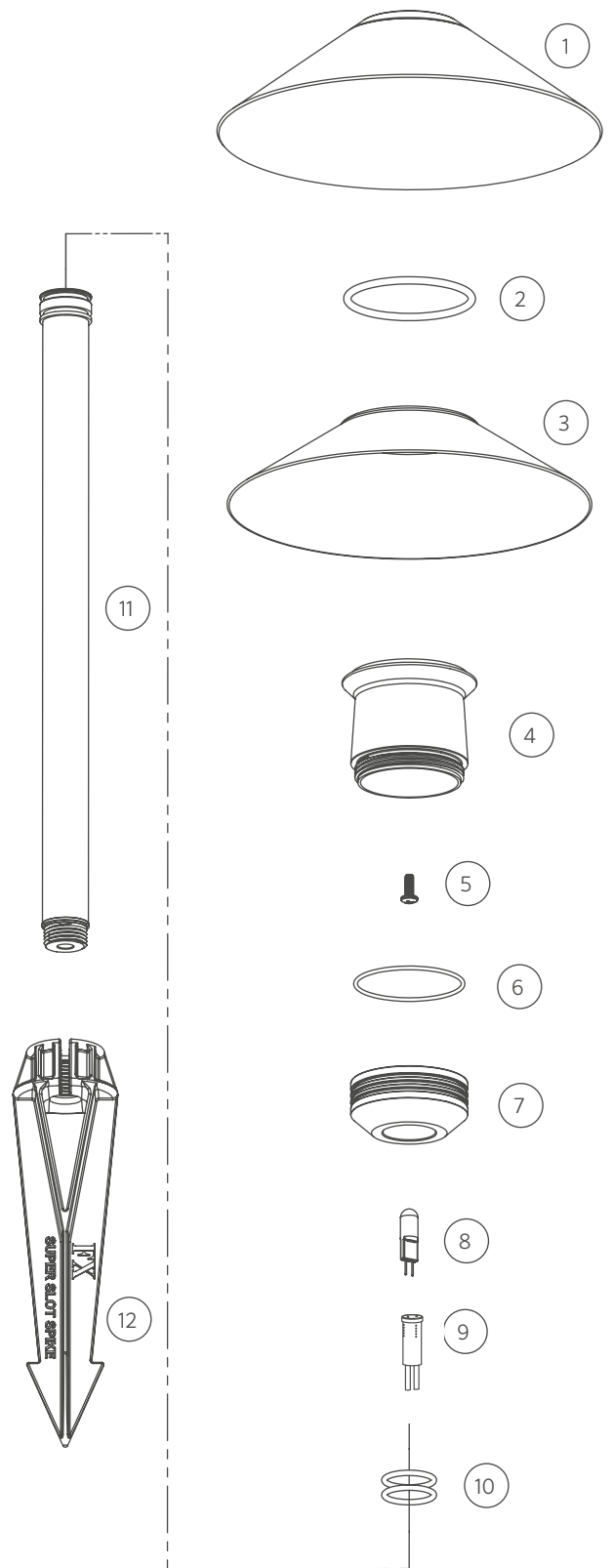


CB

ITEM	DESCRIPTION	CATALOG #
1	Copper Top and Brass Cap	-
2	O-Ring	250010280012
3	Reflector	755100
4	Lens	753401
5	Screw, 8-32 x 7/16	750103
6	O-Ring	250010280009
7	Reducer, Brass	250013300000
8	Lamp, G4 Bi-Pin	See Lamp Chart, p. 124
9	Socket, G4	754601
10	O-Ring	250010280004
11	Riser Assembly	YYRA075XX*
12	Spike, Large Slot	250015840000
1-7	Top Assembly	CBTAXX* [§]
2-7	Lens Assembly	CACBCVQFLA

* YY = riser height in inches, XX = powder coat color code

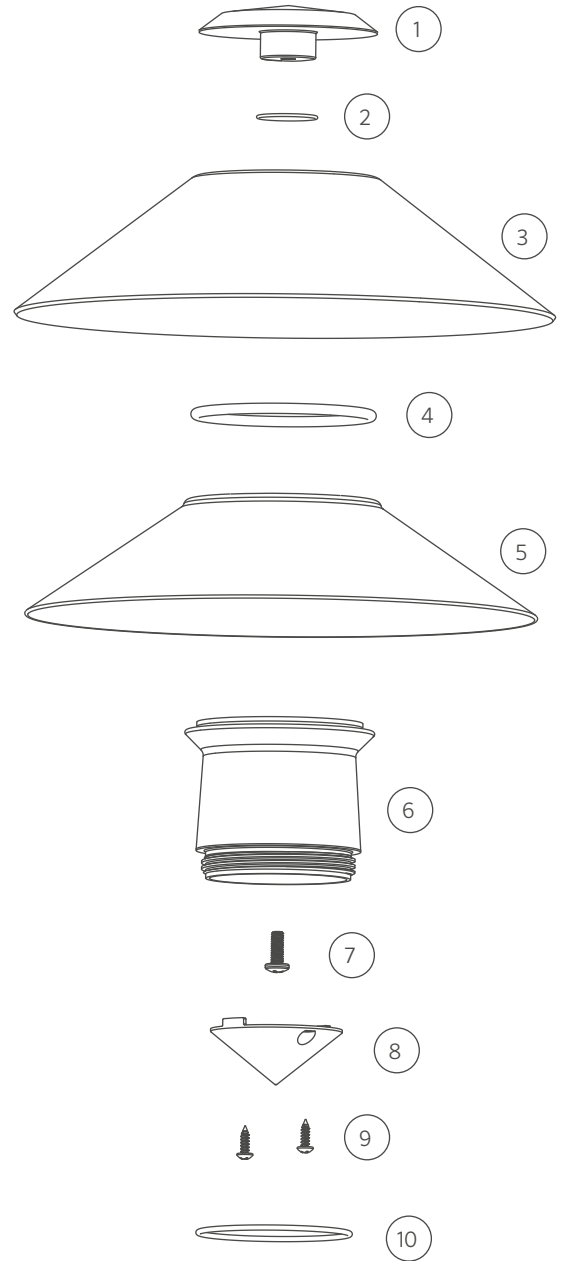
[§] Not interchangeable with CB LED Top Assembly



CB LED TOP ASSEMBLY

ITEM	DESCRIPTION	CATALOG #
1	Cap, Brass	2500125300XX*
2	O-Ring	250010280001
3	Top, Copper	-
4	O-Ring	250010280012
5	Reflector, White	755100
6	Lens	753400
7	Screw, 8-32 x 7/16	750103
8	Reflector, Chrome	-
9	Screw, #4 x 3/8	-
10	O-Ring	250010280032
8-9	Grande Cone Kit	GCONEKIT

*XX = finish code

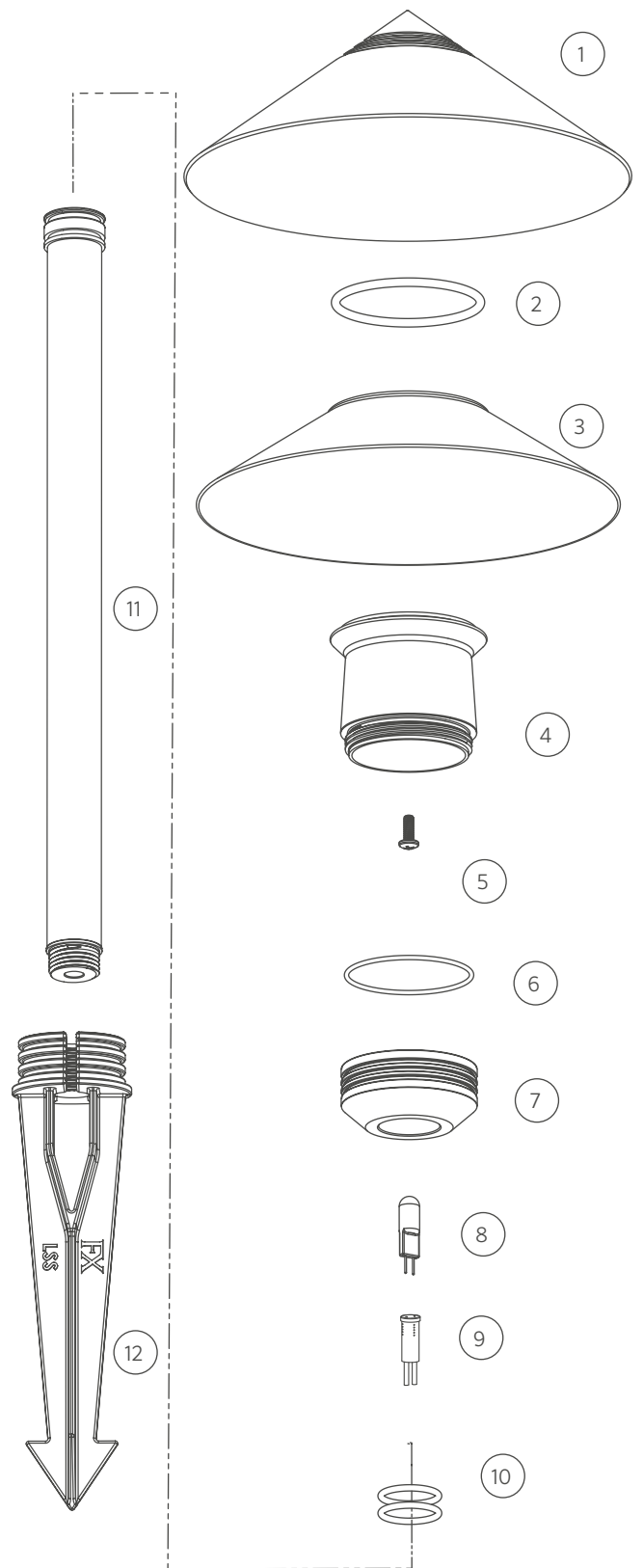


QF

ITEM	DESCRIPTION	CATALOG #
1	Copper Shade and Brass Top	-
2	O-Ring	250010280012
3	Reflector	755100
4	Lens	753401
5	Reducer	250013300000
6	O-Ring	250010280009
7	Reducer	250013300000
8	Lamp, G4 Bi-Pin	See Lamp Chart, p. 124
9	Socket, G4	754601
10	O-Ring	250010280004
11	Riser Assembly	YYRA075XX*
12	Super Slot Spike	753900
1-7	Top Assembly	QFTAXX* [§]
2-7	Lens Assembly	CACBCVQFLA

* YY = riser height in inches, XX = finish code

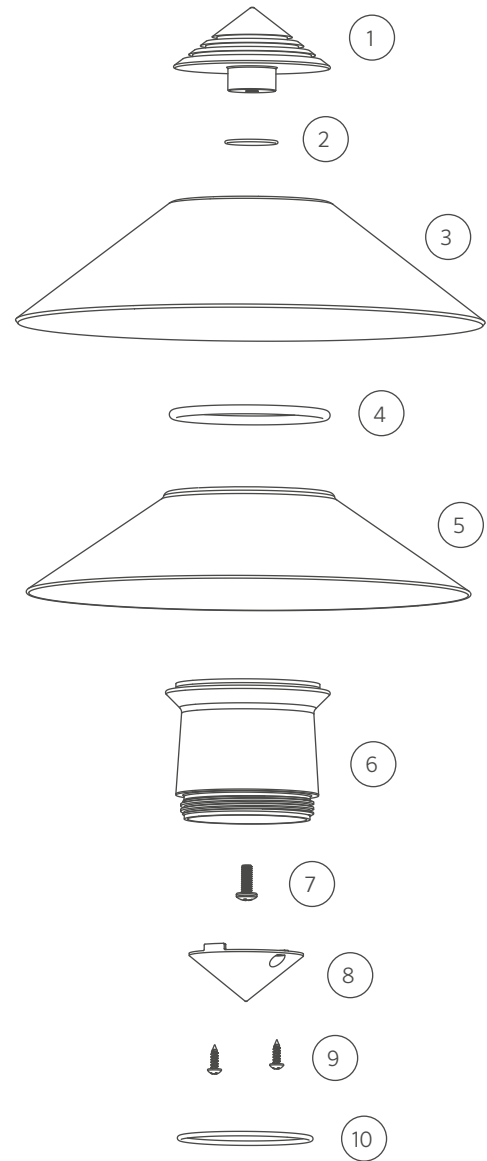
[§] Not interchangeable with QF LED Top Assembly



QF LED TOP ASSEMBLY

ITEM	DESCRIPTION	CATALOG #
1	Cap, Brass	2500118600XX*
2	O-Ring	250010280001
3	Top, Copper	-
4	O-Ring	250010280012
5	Reflector, White	755100
6	Lens	753400
7	Screw, 8-32 x 7/16	750103
8	Reflector, Chrome	-
9	Screw, #4 x 3/8	-
10	O-Ring	250010280032
8-9	Grande Cone Kit	GCONEKIT

*XX = finish code



G-RISER

ITEM	DESCRIPTION	CATALOG #
1-2	Color Filter	See LED Chart
3	Screw	See LED Chart
4-5	Reflector	See LED Chart
6-7	LED Board	See LED Chart
8	Socket, 3-meter	752601
9	Riser Assembly	-
10	Large Slot Spike	250015840000

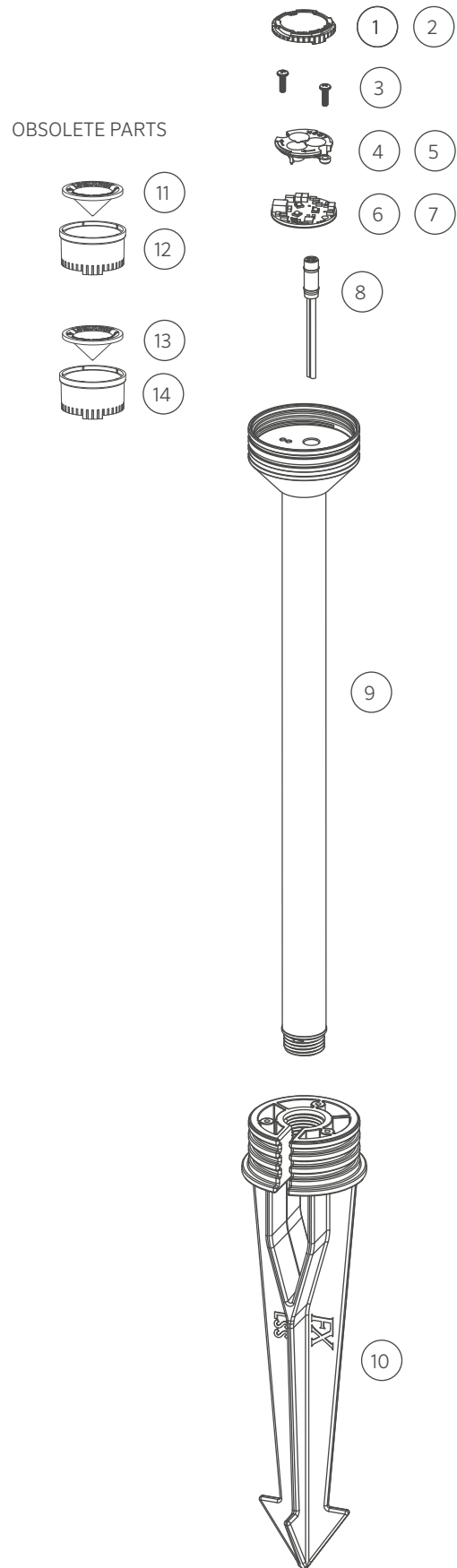
*XX = finish code

GRA LED COMPONENTS

ITEM	DESCRIPTION	CATALOG #
1	1 LED Color Filter, Amber	770100
1	1 LED Color Filter, Blue	770101
1	1 LED Color Filter, Green	770102
2	3 LED Color Filter, Amber	770800
2	3 LED Color Filter, Blue	770801
2	3 LED Color Filter, Green	770802
3	Screw, 4-40 x 3/8 (Qty Req: 2)	762400
4	1 LED Board	1LEDULKIT [†]
5	3 LED Board	3LEDULKIT [†]
5	ZDC LED Board	ZDCKITM ^{**}
6	1 LED Reflector	770000
7	3 LED Reflector	770700
7	ZDC LED Reflector	250022050000
11	Upper Reflector 1 LED	770300
12	Reflector Support 1 LED	770200
13	Upper Reflector 3 LED	771000
14	Reflector Support 3 LED	770900

[†] ZD = zoneable and dimmable (add ZD to front of part number)

^{**} ZDC kit includes LED board, ZDC reflector, screws, and flood lens diffuser (3LEDFLLENS)



P-RISER

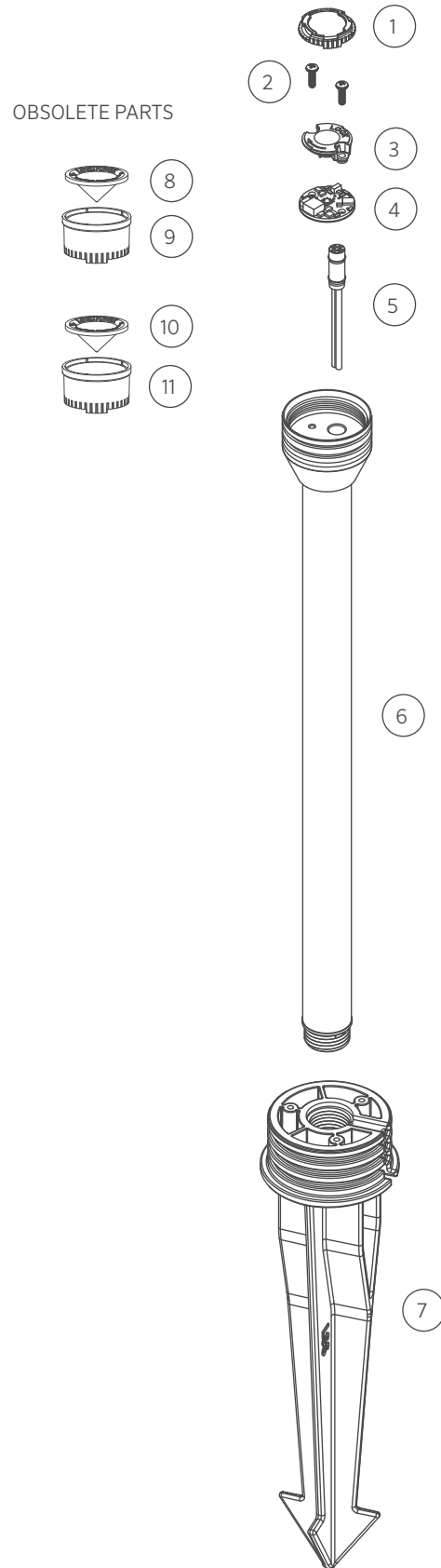
ITEM	DESCRIPTION	CATALOG #
1	Color Filter	See LED Chart
2	Screw	See LED Chart
3	Reflector	See LED Chart
4	LED Board	See LED Chart
5	Socket, 3-meter	752601
6	Riser Assembly	-
7	Large Slot Spike	250015840000

*XX = Finish code

PRA LED COMPONENTS

ITEM	DESCRIPTION	CATALOG #
1	1 LED Color Filter, Amber	770100
1	1 LED Color Filter, Blue	770101
1	1 LED Color Filter, Green	770102
2	Screw, 4-40 x 3/8 (Qty Req: 2)	762400
3	1 LED Reflector	770000
4	1 LED Board	1LEDULKIT [‡]
8	Upper Reflector 1 LED	770300
9	Reflector Support 1 LED	770200
10	Upper Reflector 3 LED	771000
11	Reflector Support 3 LED	770900

[‡] ZD = zoneable and dimmable (add ZD to front of part number)



A-RISER

ITEM	DESCRIPTION	CATALOG #
1-2	Color Filter	See LED Chart
3	Screw	See LED Chart
4-5	Reflector	See LED Chart
6-7	LED Board	See LED Chart
8	Socket, 3-meter	752601
9	Reducer	-
10	Riser, Aluminum	YYRXX*
11	Large Slot Spike	250015840000

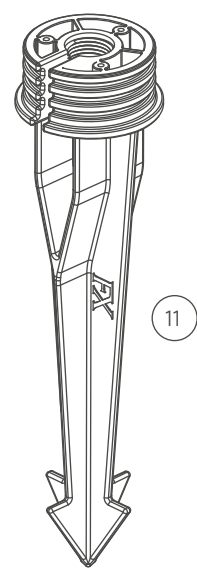
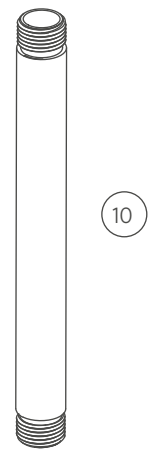
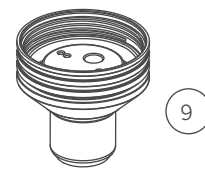
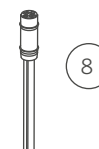
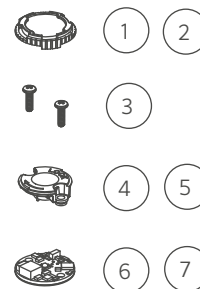
* YY = riser height in inches, XX = powder coat color code

ARA LED COMPONENTS

ITEM	DESCRIPTION	CATALOG #
1	1 LED Color Filter, Amber	770100
1	1 LED Color Filter, Blue	770101
1	1 LED Color Filter, Green	770102
2	3 LED Color Filter, Amber	770800
2	3 LED Color Filter, Blue	770801
2	3 LED Color Filter, Green	770802
3	Screw, 4-40 x 3/8 (Qty Req: 2)	762400
4	1 LED Reflector	770000
5	3 LED Reflector	770700
5	ZDC LED Reflector	250022050000
6	1 LED Board	1LEDULKIT [†]
7	3 LED Board	3LEDULKIT [†]
7	ZDC LED Board	ZDCKITM ^{**}

[†] ZD = zoneable and dimmable (add ZD to front of part number)

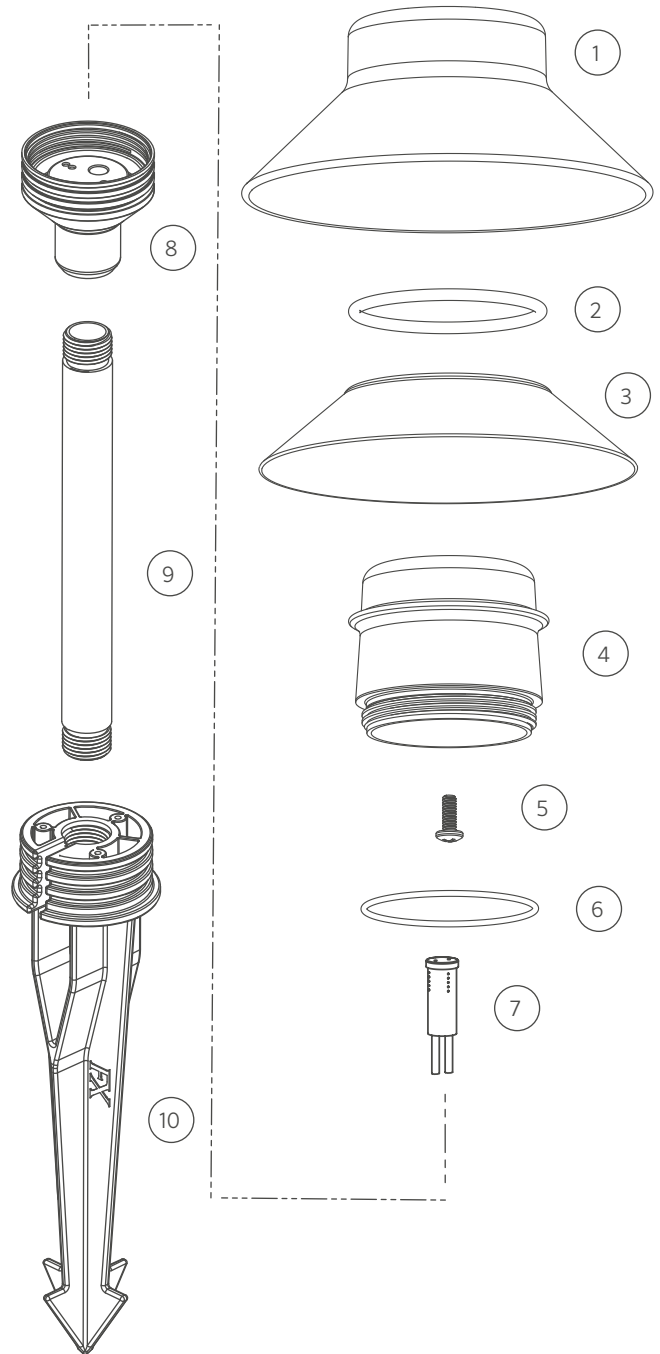
^{**} ZDC kit includes LED board, ZDC reflector, screws, and flood lens diffuser (3LEDFLENS)



TM

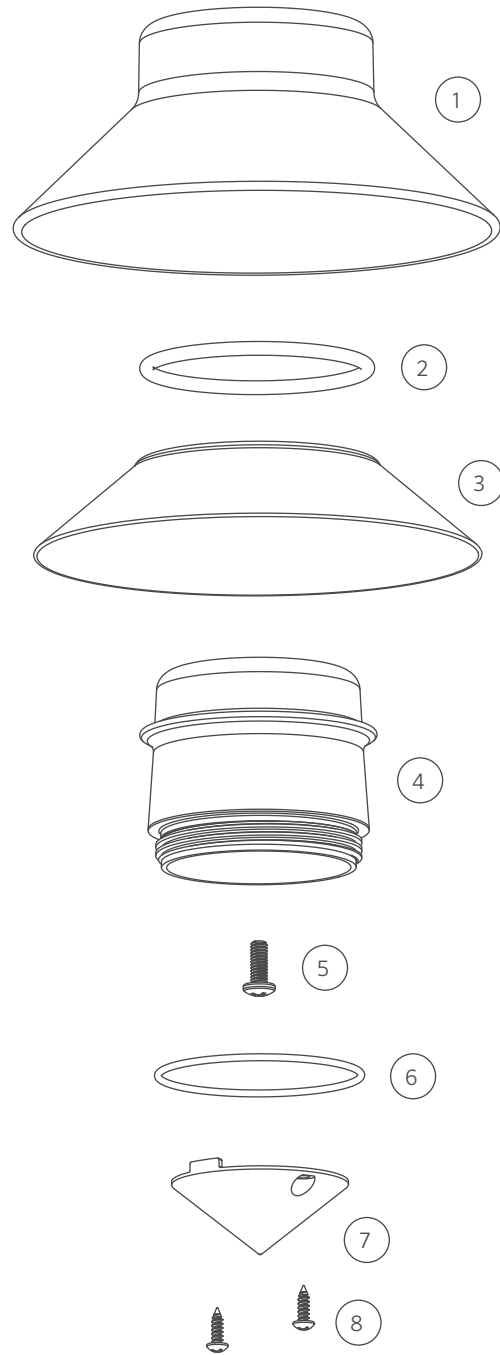
ITEM	DESCRIPTION	CATALOG #
1	Top	-
2	O-Ring	250010280011
3	Reflector, White	250018870000
4	Lens	753501
5	Screw, 8-32 x 7/16	750103
6	O-Ring	250010280032
7	Socket, G4	754601
8	Reducer	-
9	Riser, Aluminum	YYRXX*
10	Large Slot Spike	250015840000
1-7	TM Top Assembly, G4	TMTAXX

* YY = riser height in inches, XX = powder coat color code



TM LED

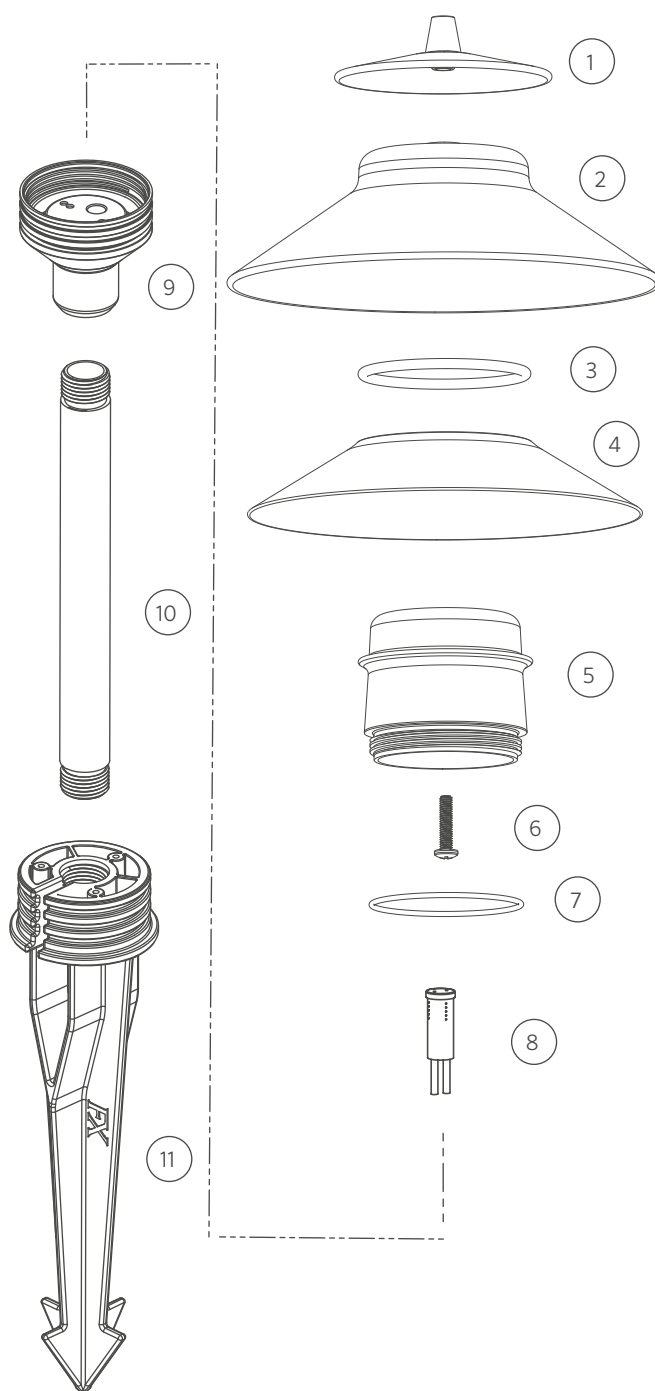
ITEM	DESCRIPTION	CATALOG #
1	Top	-
2	O-Ring	250010280011
3	Reflector, White	250018870000
4	Lens	753500
5	Screw, 8-32 x 7/16	750103
6	O-Ring	250010280032
7	Reflector, Chrome	-
8	Screw, #4 x 3/8	-
7-8	Grande Cone Kit	GCONEKIT



PL

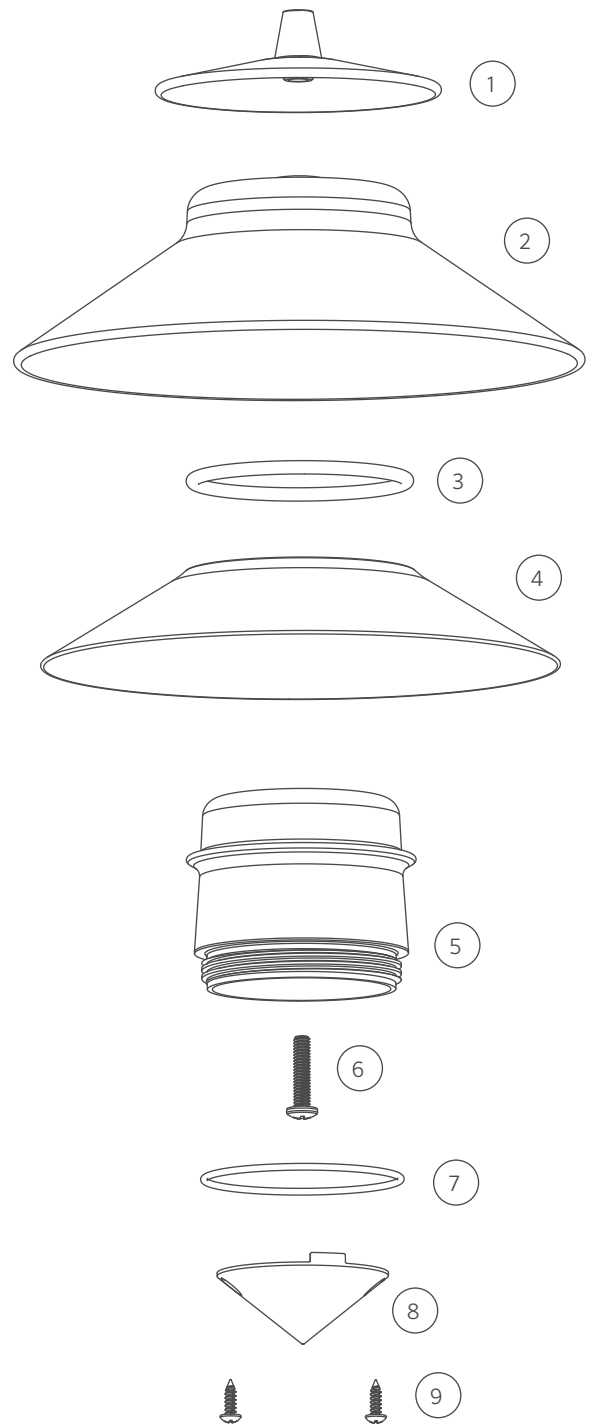
ITEM	DESCRIPTION	CATALOG #
1	Shade	-
2	Top	-
3	O-Ring	250010280011
4	Reflector, White	250018830000
5	Lens	753501
6	Screw, 8-32 x 3/4	250018780000
7	O-Ring	250010280032
8	Socket, G4	754601
9	Reducer	-
10	Riser, Aluminum	YYRXX*
11	Large Slot Spike	250015840000
1-7	PL Top Assembly, G4	PLTAXX

* YY = riser height in inches, XX = powder coat color code



PL LED

ITEM	DESCRIPTION	CATALOG #
1	Shade	-
2	Top	-
3	O-Ring	250010280011
4	Reflector, White	250018830000
5	Lens	753500
6	Screw, 8-32 x 3/4	250018780000
7	O-Ring	250010280032
8	Reflector, Chrome	-
9	Screw, #4 x 3/8	-
8-9	Grande Cone Kit	GCONEKIT

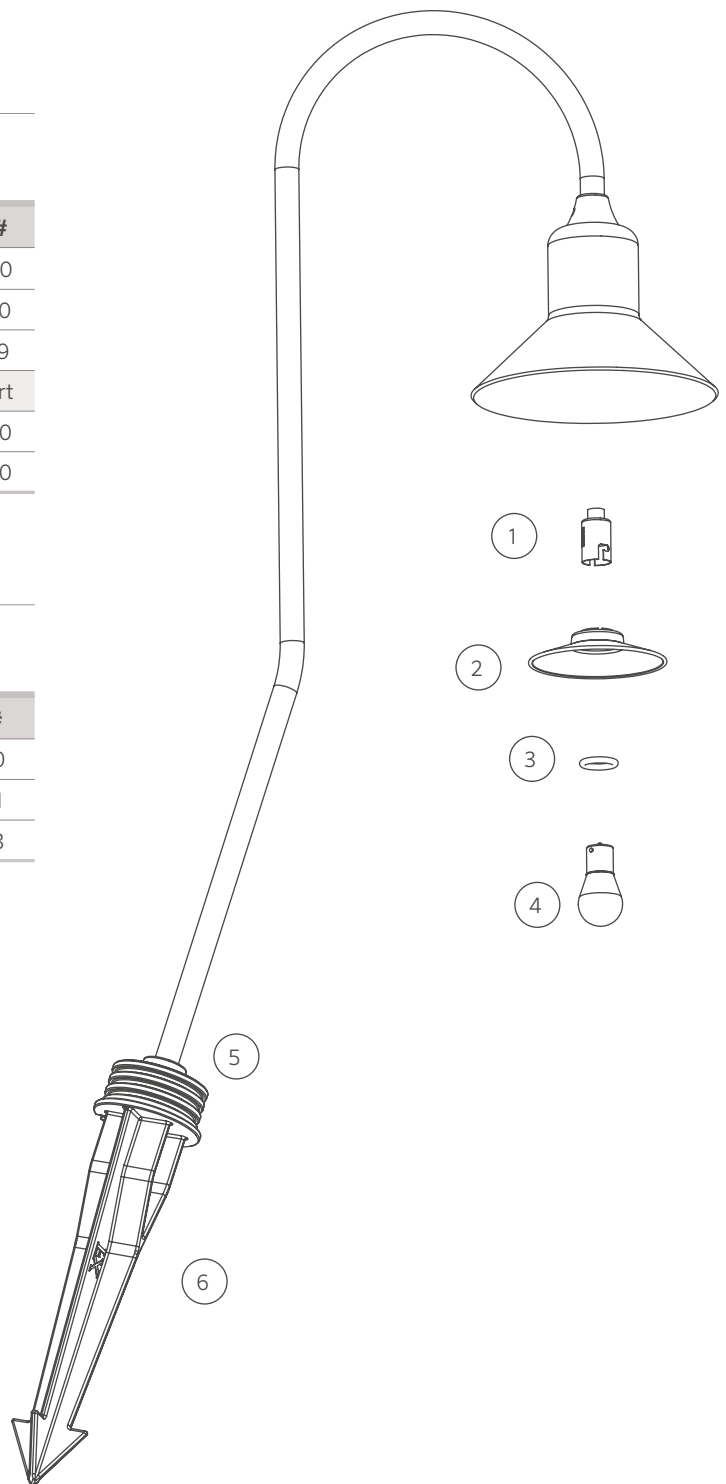


AL

ITEM	DESCRIPTION	CATALOG #
1	Socket, Bayonet, Single Contact	250012800000
2	Reflector	250012740000
3	O-Ring	250010280019
4	Lamp	See Lamp Chart
5	Bottom Insert	250012830000
6	Large Slot Spike (LSS)	250015840000

LAMP Chart

DESCRIPTION	CATALOG #
Lamp, Miniature 12V	250010510000
Lamp, Miniature 18V	250010510001
Lamp, Miniature 25V	250010510003

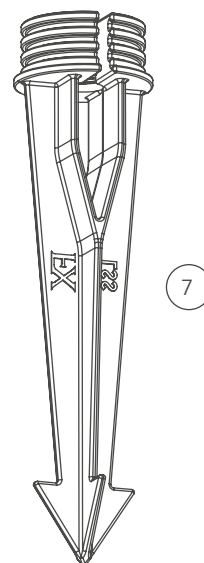
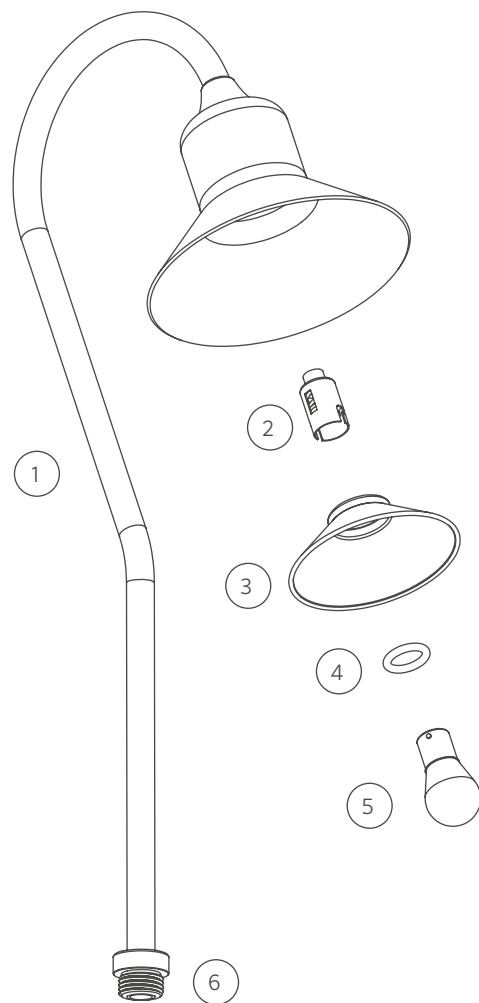


TD

ITEM	DESCRIPTION	CATALOG #
1	Riser Assembly	—
2	Socket, Bayonet, Single Contact	250012800000
3	Reflector	250013270000
4	O-Ring	250010280019
5	Lamp	See Lamp Chart
6	Bottom Insert	250011990000
7	Large Slot Spike (LSS)	250015840000

LAMP Chart

DESCRIPTION	CATALOG #
Lamp, Miniature 12 V	250010510000
Lamp, Miniature 18 V	250010510001
Lamp, Miniature 25 V	250010510003



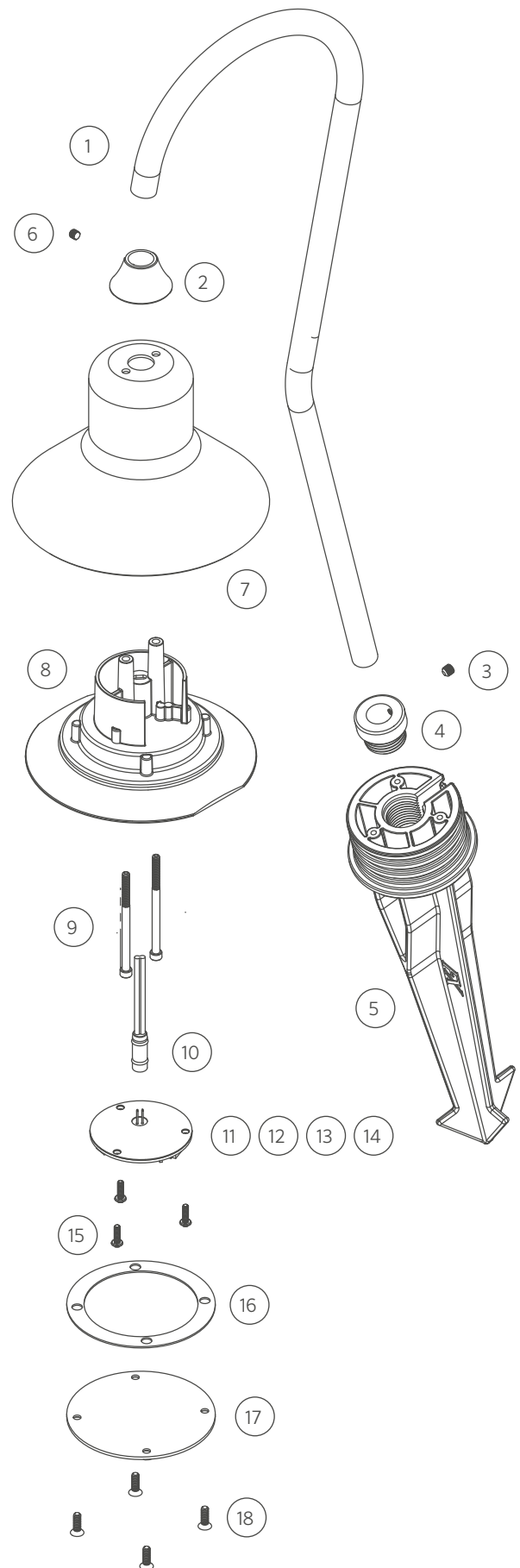
TD LED

ITEM	DESCRIPTION	CATALOG #
1	Riser, Copper	-
2	Coupling	-
3	Screw, 10-32 x 3/16	250012050000
4	Bottom Insert	250011990000
5	Large Slot Spike (LSS)	250015840000
6	Screw, 8-32 x 3/16	250012760000
7	Top	-
8	LED Insert	-
9	Screw, 6-32 x 2.25	250019170000
10	Socket, 3-meter	752601
11-14	LED Board	See LED Chart
15	Screw, 4-40 x 3/8	762400
16	Gasket	250019130000
17	Lens	See LED Chart
18	Screw, 6-32	250014810000

TD LED COMPONENTS

ITEM	DESCRIPTION	CATALOG #
11	1 LED Board	1LEDULKIT ^{††}
12	3 LED Board	3LEDULKIT ^{††}
13	6 LED Board	6LEDULKIT ^{††}
14	9 LED Board	9LEDULKIT ^{††}
14	ZDC LED Board	ZDCKITL ^{**}
17	Lens, Clear	250019150000
17	Lens, Amber	250019150001

[‡] ZD = zoneable and dimmable (add ZD to front of part number)
[†] Kits do not include TD/FG colored filters; must order separately- no symbol for this
^{**} ZDC kit includes LED board, ZDC reflector, screws, and flood lens (9LEDFLLENS)

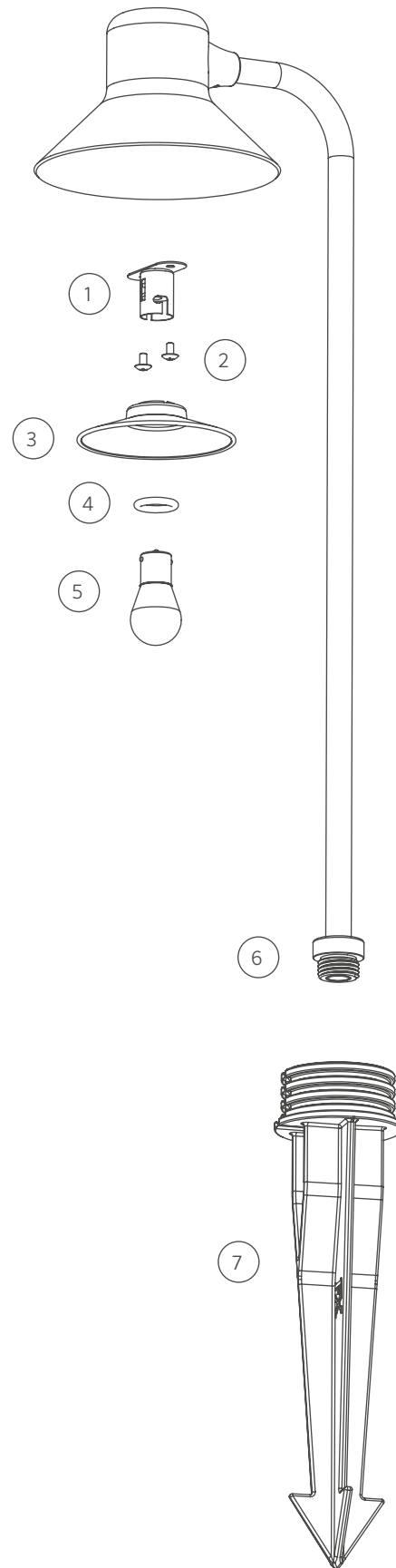


FG

ITEM	DESCRIPTION	CATALOG #
1	Socket, Bayonet, Single Contact	250012750000
2	Screw, 6-32 x 1/4	250010210000
3	Reflector	250012740000
4	O-Ring	250010280019
5	Lamp	See Lamp Chart
6	Bottom Insert	250011990000
7	Large Slot Spike (LSS)	250015840000

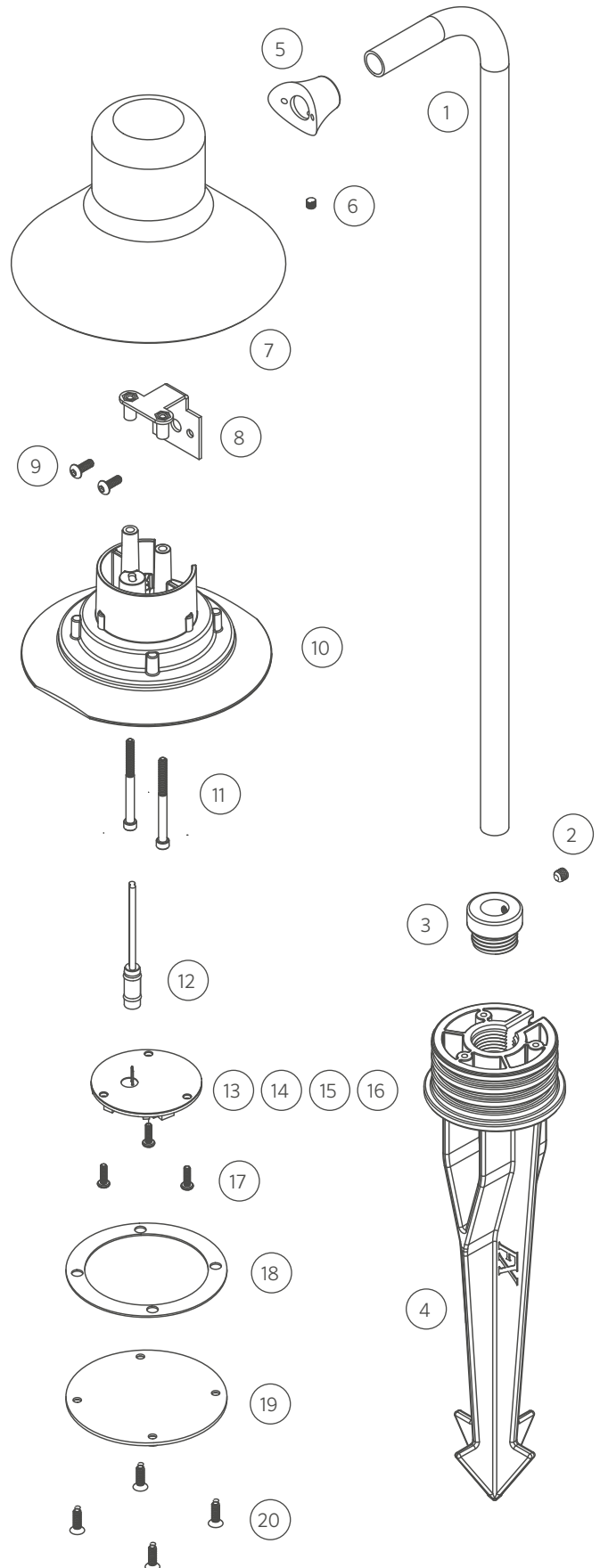
LAMP Chart

DESCRIPTION	CATALOG #
Lamp, Miniature 12 V	250010510000
Lamp, Miniature 18 V	250010510001
Lamp, Miniature 25 V	250010510003



FG LED

ITEM	DESCRIPTION	CATALOG #
1	Riser	-
2	Screw, 10-32 x 3/16	250012050000
3	Bottom Insert	250011990000
4	Large Slot Spike	250015840000
5	Coupling	-
6	Screw, 8-32 x 3.16	250012760000
7	Top, Copper	-
8	Bracket	250019140000
9	Screw, 6-32 x 3/8	250012720000
10	LED Insert	-
11	Screw, 6-32 x 1.75	250019160000
12	Socket, 3-meter	752601
13-16	LED Board	See LED Chart
17	Screw, 4-40 x 3/8	762400
18	Gasket	250019130000
19	Lens	See LED Chart
20	Screw, 6-32	250014810000



FG LED COMPONENTS

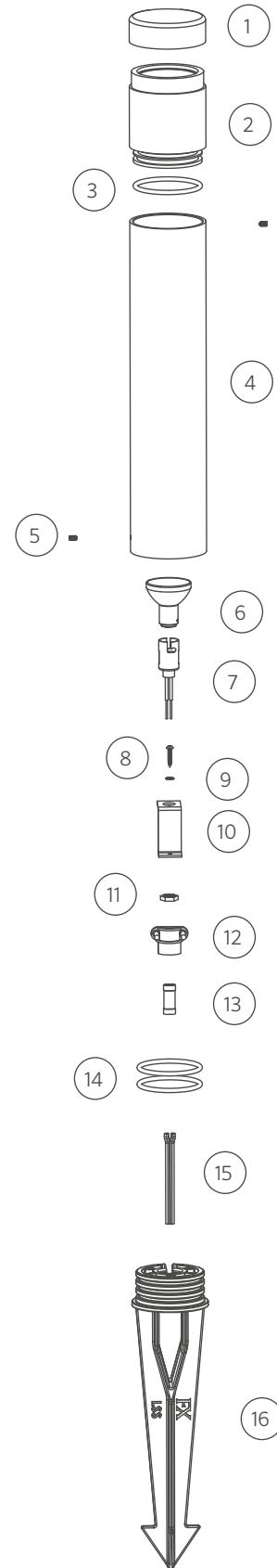
ITEM	DESCRIPTION	CATALOG #
13	1 LED Board	1LEDULKIT [†]
14	3 LED Board	3LEDULKIT [†]
15	6 LED Board	6LEDULKIT [†]
16	9 LED Board	9LEDULKIT [†]
16	ZDC LED Board	ZDCKITL ^{**}
19	Lens, Clear	250019150000
19	Lens, Amber	250019150001

[‡] ZD = zoneable and dimmable (add ZD to front of part number)
[†] Kits do not include TD/FG colored filters; must order separately
^{**} ZDC kit includes LED board, ZDC reflector, screws, and flood lens (9LEDFLLENS)

PM

ITEM	DESCRIPTION	CATALOG #
1	Cap	-
2	Lens	-
3	O-Ring	250010280011
1-3	Lens Cap Assembly	PMLCXX*
4	Body	-
5	Screw, 6-32 x 1/4	250012940000
6	Lamp, AR-11	250010240001
7	Socket, Bayonet, Double Contact	250012890000
8	Screw, #4 x 5/8	250012990000
9	Washer, Ext Tooth, #4	250012980000
10	Bracket, Lamp	250012960000
11	Nut, Hex, 1/8"	250012970001
12	Clamp, Wire, 3/8	250013010000
13	Butt Splice	250013020000
14	O-Ring	250010280006
15	Cable	250013000000
16	Large Slot Spike (LSS)	250015840000
	Hex Key, 1/16 Short Arm	250012950000

*XX = finish Code



PM LED

ITEM	DESCRIPTION	CATALOG #
1	Cap	-
2	Lens	-
3	O-Ring	250010280011
1-3	Lens Cap Assembly	PMLCXX*
4-6	Color Filter	See LED Chart
7-8	Screw, 4-40 x 3/8	See LED Chart
9-11	Reflector	See LED Chart
12-15	LED Board	See LED Chart
16	Socket, 3-meter	752601
17	Insert	-
18	O-Ring	250010280025
19	Retaining Ring	250019110000
20	Screw, 6-32 x 1/4	250012940000
21	Body	-
22	O-Ring	250010280006
23	Large Slot Spike	250015840000
	Hex Key, 1/16 Short Arm	250012950000

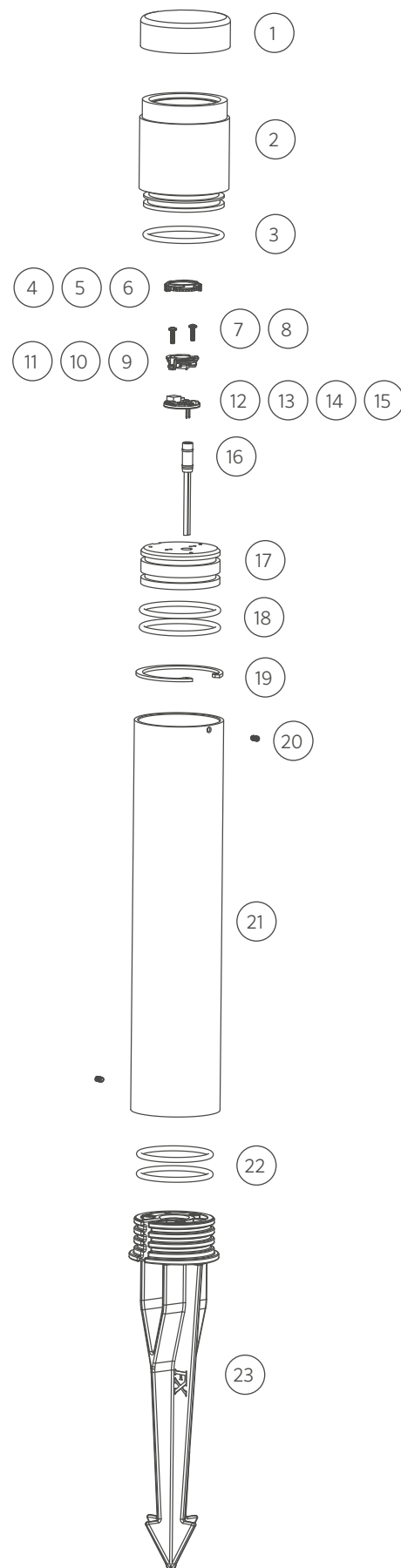
*XX = finish Code

PM LED COMPONENTS

ITEM	DESCRIPTION	CATALOG #
4	1 LED Color Filter, Amber	770100
4	1 LED Color Filter, Blue	770101
4	1 LED Color Filter, Green	770102
5	3 LED Color Filter, Amber	770800
5	3 LED Color Filter, Blue	770801
5	3 LED Color Filter, Green	770802
6	6/9 LED Color Filter, Amber	771500
6	6/9 LED Color Filter, Blue	771501
6	6/9 LED Color Filter, Green	771502
7	1/3 LED Screw, 4-40 x 3/8 (Qty Req: 2)	762400
8	6/9 LED Screw, 4-40 x 7/16 (Qty Req: 3)	250014550000
9	1 LED Reflector	770000
10	3 LED Reflector	770700
11	6/9 LED Reflector	771400
11	ZDC LED Reflector	250020690000
12	1 LED Board	1LEDULKIT†
13	3 LED Board	3LEDULKIT†
14	6 LED Board	6LEDULKIT†
15	9 LED Board	9LEDULKIT†
15	ZDC LED Board	ZDCKITL**

† ZD = zoneable and dimmable (add ZD to front of part number)

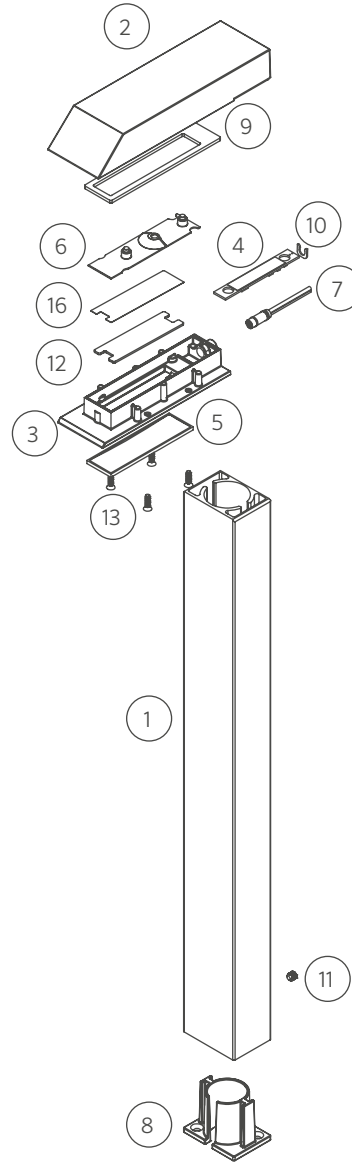
** ZDC kit includes LED board, reflector, screws, and flood lens (9LEDFLENS)



M-PL LED

ITEM	DESCRIPTION	CATALOG #
1	M-PL Riser	--
2	M-PL Top	--
3	Top LED Holder	--
4	PCA, LED, 1X, Rectangular	755902/ 755901/ ZDCKITR
5	M-PL Lens	250026570000
6	M-PL Reflector	250026560000
7	Connector Overmolded	752601
8	M-PL Deck Mount	MPL-DM-XX
9	Gasket, Modern Path Light	250026700000
10	Strain Relief, Connector, LF	755800
11	Setscrew, ¼-20 x 0.25 LG, CUP Point, SST	250015320000
12	Amber Lens	250027320000
13	Screw, FH, 6-32 x ½ LG, Mach, Phillips, SST, 82°	750114
14	Screw, FH, 6-18 x 1.5 LG, Drywall, Phillips	250013060000
15	M-PL, ZDC, Top Filter	250027330000
16	M-PL, ZDC, Bottom Filter	250027340000

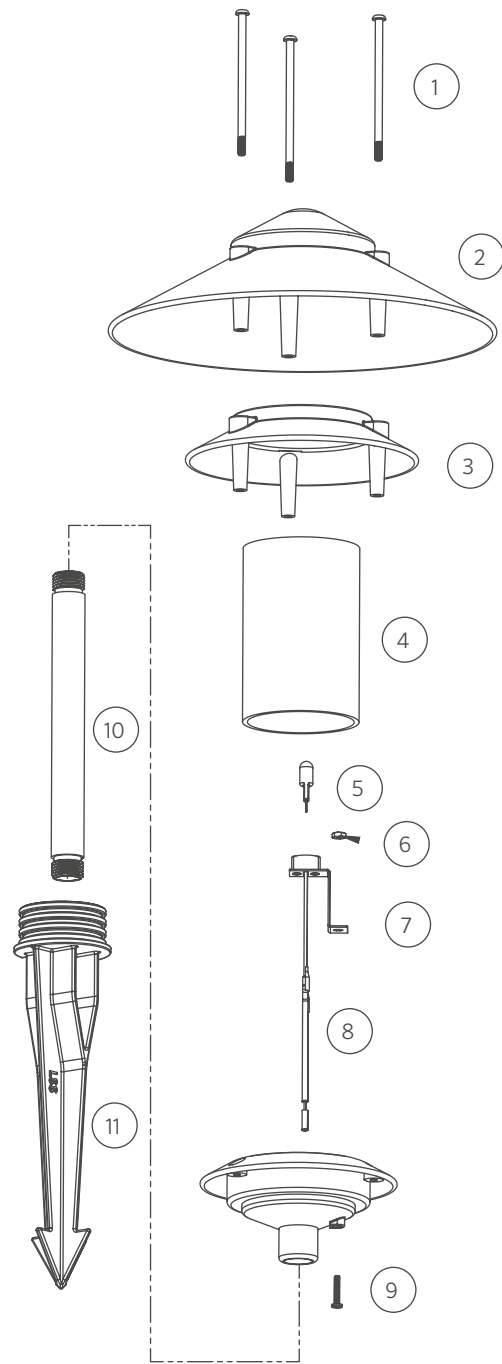
*XX = finish Code



DR 3 TIER

ITEM	DESCRIPTION	CATALOG #
1	Screw, 10-24 x 3.7	250011520000
2	Tier, Top	-
3	Tier, Middle	-
4	Lens	250011530000
5	Lamp, G4 Bi-Pin	See Lamp Chart, p. 124
6	Nut	250011510000
7	Base, Tier	-
8	Socket	250011490000
9	Screw, 6-32 x 3/4	250011500000
10	Riser, Aluminum	YYRXX*
11	Large Slot Spike (LSS)	250015840000

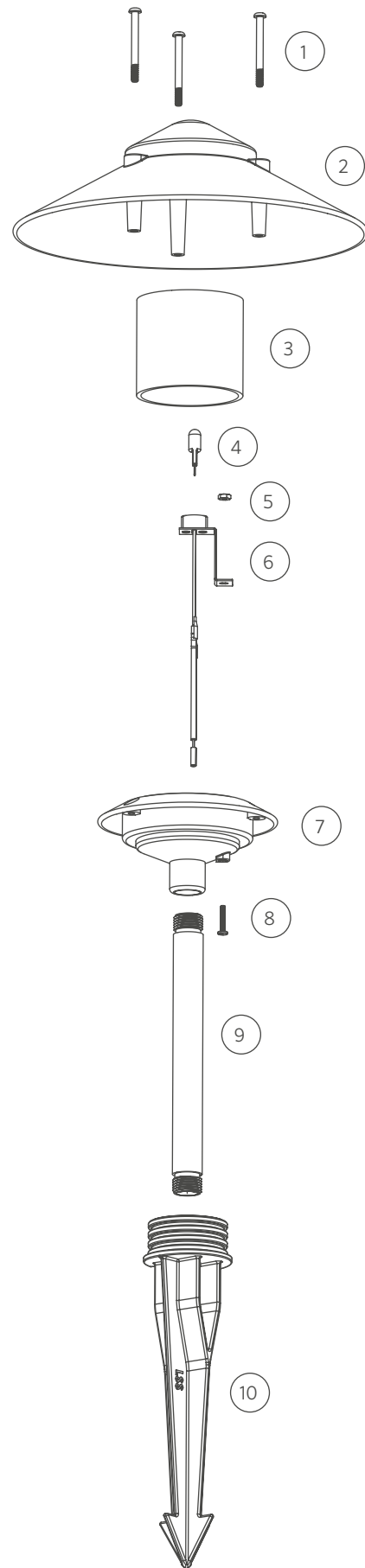
* YY = riser height in inches, XX = powder coat color code



DR 2 TIER

ITEM	DESCRIPTION	CATALOG #
1	Screw, 10-24 x 2	250011550000
2	Tier, Top	-
3	Lens	250011540000
4	Lamp, G4 Bi-Pin	See Lamp Chart, p. 124
5	Nut	250011510000
6	Socket	250011490000
7	Base, Tier	-
8	Screw, 6-32 x 3/4	250011500000
9	Riser, Aluminum	YYRXX*
10	Large Slot Spike (LSS)	250015840000

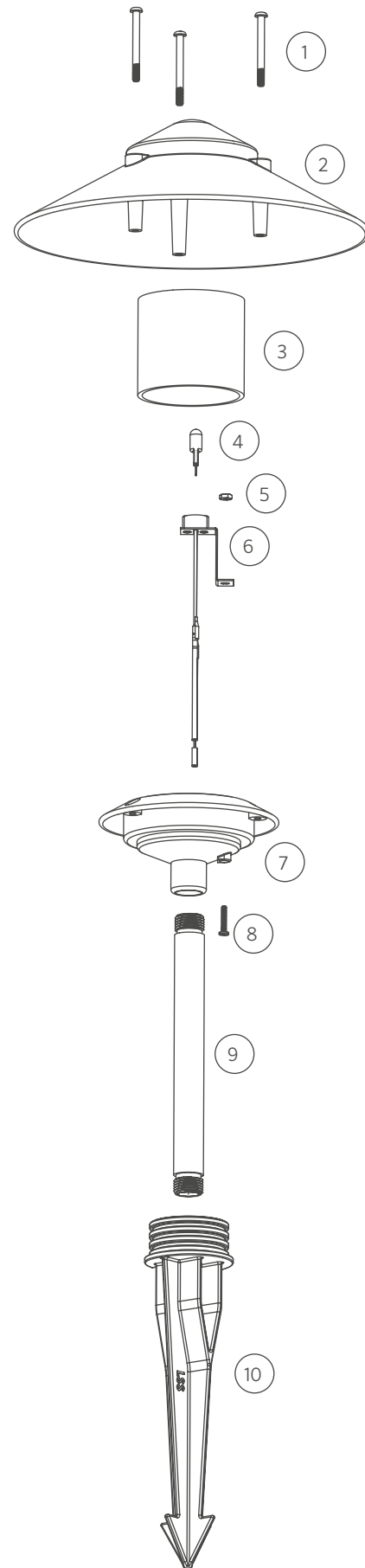
* YY = riser height in inches, XX = powder coat color code



DS 2 TIER

ITEM	DESCRIPTION	CATALOG #
1	Screw, 10-24 x 2	250011550000
2	Tier, Top	-
3	Lens	250011620000
4	Lamp, G4 Bi-Pin	See Lamp Chart, p. 124
5	Nut	250011510000
6	Socket	250011490000
7	Base, Tier	-
8	Screw, 6-32 x 3/4	250011500000
9	Riser, Aluminum	YYRXX*
10	Large Slot Spike (LSS)	250015840000

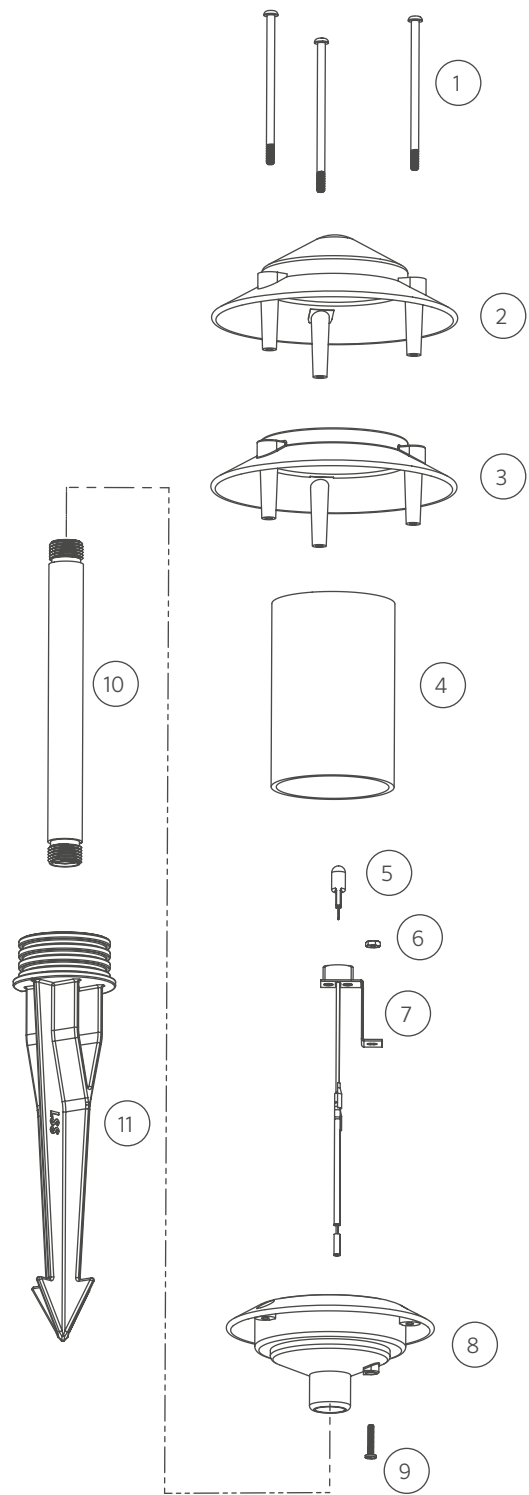
* YY = riser height in inches, XX = powder coat color code



DS 3 TIER

ITEM	DESCRIPTION	CATALOG #
1	Screw, 10-24 x 3.7	250011520000
2	Tier, Top	-
3	Tier, Middle	-
4	Lens	250011610000
5	Lamp, G4 Bi-Pin	See Lamp Chart, p. 124
6	Nut	250011510000
7	Socket Assembly	250011490000
8	Base, Tier	-
9	Screw, 6-32 x 3/4	250011500000
10	Riser, Aluminum	YYRXX*
11	Large Slot Spike (LSS)	250015840000

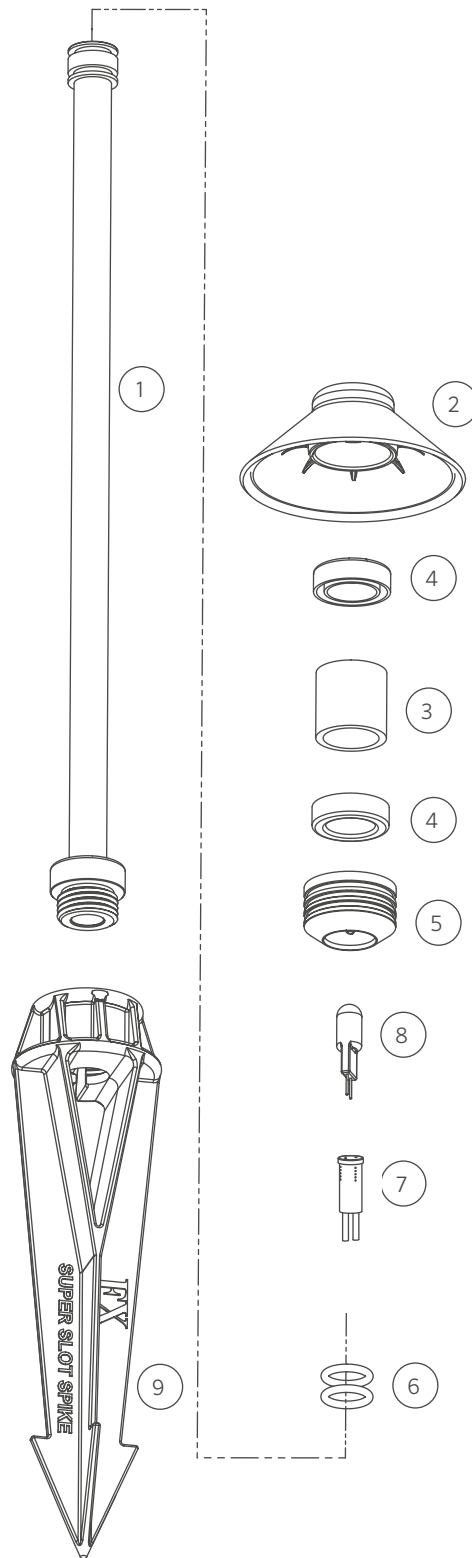
* YY = riser height in inches, XX = powder coat color code



DP

ITEM	DESCRIPTION	CATALOG #
1	Riser Sub Assembly	YYRA050XX*
2	Top and Reflector	—
3	Lens	250012080000
4	Seal	250012060000
5	Reducer	-
6	O-Ring	250010280003
7	Socket, G4	754601
8	Lamp, G4 Bi-Pin	See Lamp Chart, p. 124
9	Super Slot Spike	753900
2-5	DP Top Assembly	DPTAXX*
	Hex Key, 5/64 Long Arm	250010330000

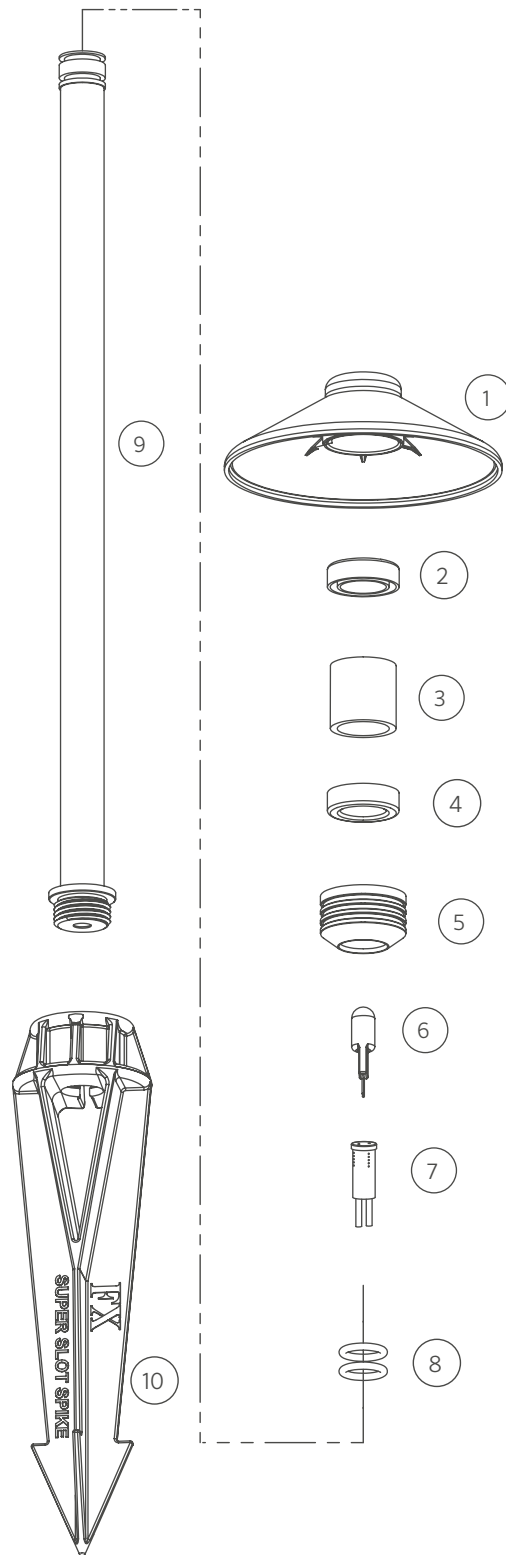
* YY = riser height in inches XX = powder coat color code



PV

ITEM	DESCRIPTION	CATALOG #
1	Top and Reflector	-
2	Seal, Silicone	250012060000
3	Lens	250012080000
4	Seal, Silicone	250012060000
5	Reducer, Brass	-
6	Lamp, G4 Bi-Pin	See Lamp Chart, p. 124
7	Socket, G4	754601
8	O-Ring	250010280003
9	Riser Sub Assembly	YYRA050XX*
10	Super Slot Spike	753900
1-5	PV Top Assembly	PVTAXX*
	Hex Key, 5/64 Long Arm	250010330000

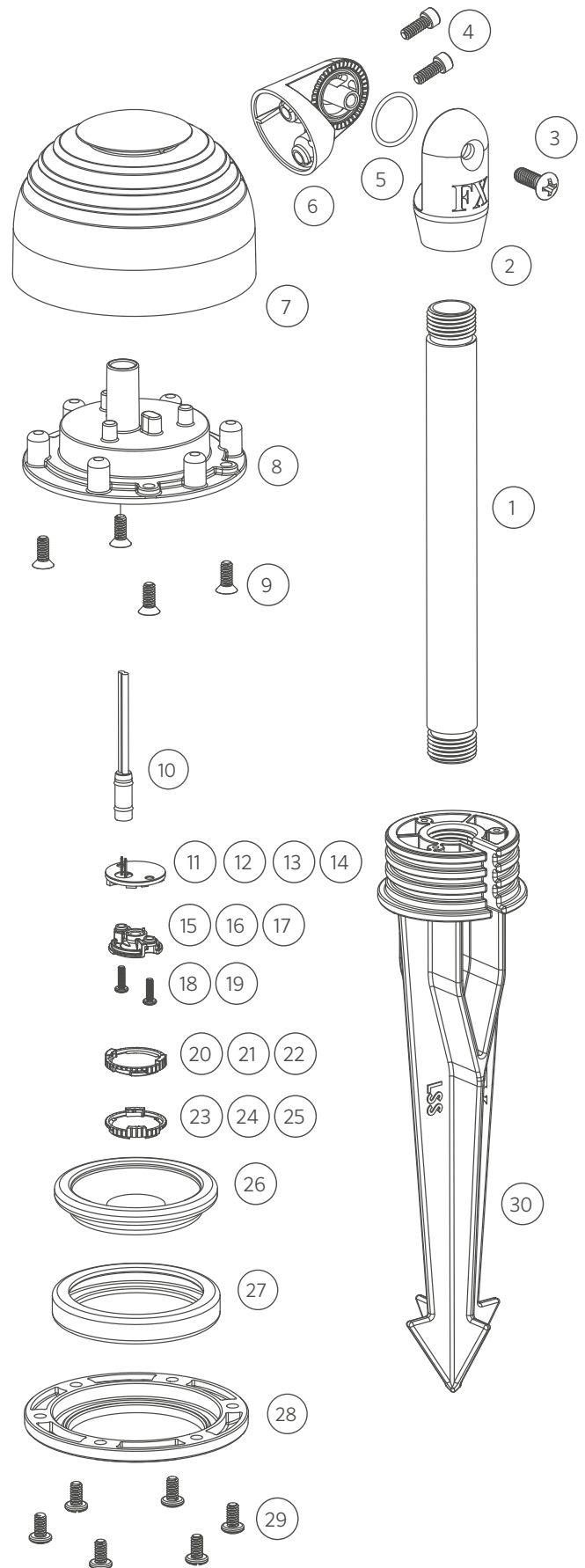
* XX = powder coat color code



RW PATH/UP LIGHT LED

ITEM	DESCRIPTION	CATALOG #
1	Riser, Aluminum	YYRXX*
2	Knuckle Subassembly (Male)	KFM050XX*
2	Knuckle Subassembly (Female)	KFF050XX*
3	Screw, 1/4-20 x 3/4	250010290000
4	Screw, 10-24 x 3/8	250013940000
5	O-Ring	250010280002
6	Base	-
7	Body	-
8	Insert	-
9	Screw	250020010000
10	Socket, 1.5-meter	-
11-14	LED Board	See LED Chart
15-17	Reflector	See LED Chart
18-19	Screw	See LED Chart
20-22	Color Filter	See LED Chart
23-25	Diffuser	See LED Chart
26	Glass Lens, Frosted	250014240001
27	Seal	250014250000
28	Faceplate	FCFPRGXX*
29	Screw, 10-24 x 3/8	250015870000
30	Long Slot Spike	250015840000

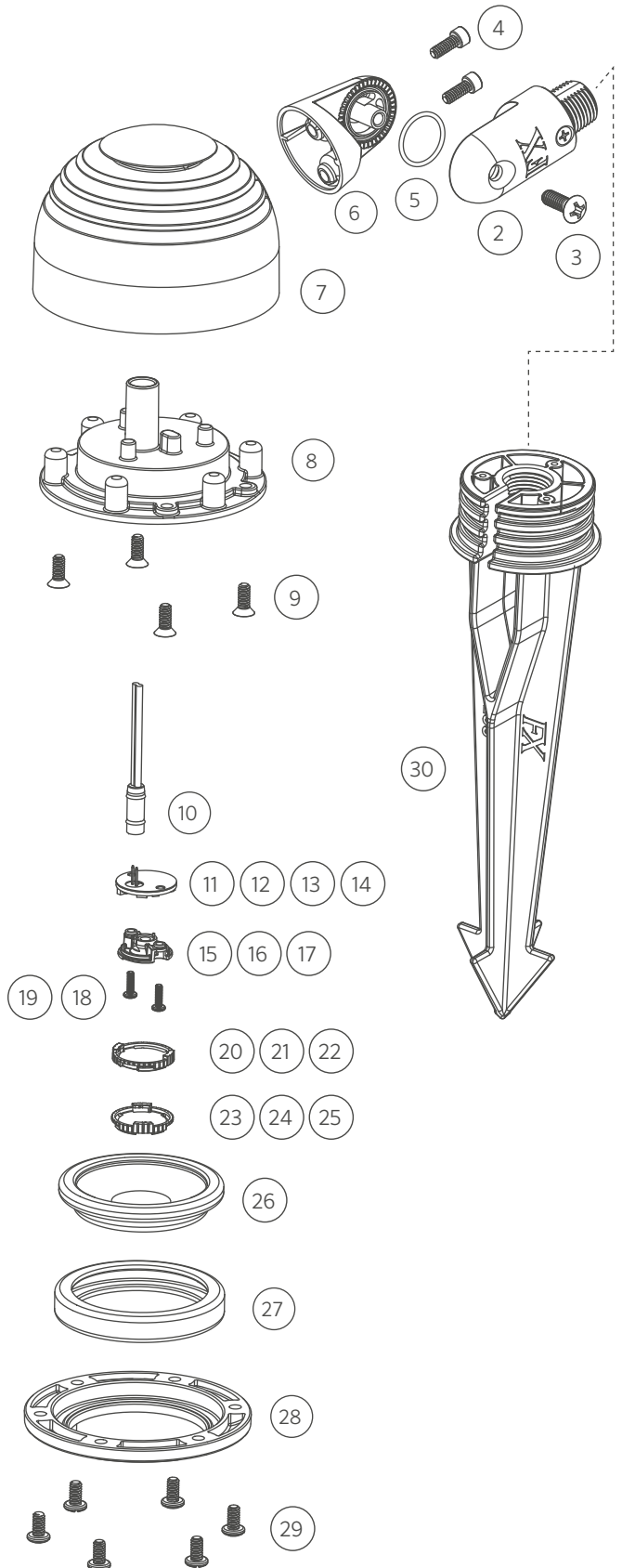
* YY = riser height in inches, XX = powder coat color code



RW LED COMPONENTS

ITEM	DESCRIPTION	CATALOG #
11	1 LED Board	1LEDULKIT [‡]
12	3 LED Board	3LEDULKIT [‡]
13	6 LED Board	6LEDULKIT [‡]
14	9 LED Board	9LEDULKIT [‡]
14	ZDC LED Board	ZDCKITL ^{**}
15	1 LED Reflector	770000
16	3 LED Reflector	770700
17	6/9 LED Reflector	771400
17	ZDC LED Reflector	250020690000
18	1/3 LED Screw, 4-40 x 3/8 (Qty Req: 2)	762400
19	6/9 LED Screw, 4-40 x 7/16 (Qty Req: 3)	250014550000
20	1 LED Color Filter, Amber	770100
20	1 LED Color Filter, Blue	770101
20	1 LED Color Filter, Green	770102
21	3 LED Color Filter, Amber	770800
21	3 LED Color Filter, Blue	770801
21	3 LED Color Filter, Green	770802
22	6/9 LED Color Filter, Amber	771500
22	6/9 LED Color Filter, Blue	771501
22	6/9 LED Color Filter, Green	771502
23	1 LED Spot Lens (18°)	770600
23	1 LED Flood Lens (30°-32°)	1LEDFLENS
23	1 LED Wide Flood Lens (56°-58°)	1LEDWFLENS
24	3 LED Spot Lens (18°)	771300
24	3 LED Flood Lens (30°-32°)	3LEDFLENS
24	3 LED Wide Flood Lens (56°-58°)	3LEDWFLENS
25	6/9 LED Spot Lens (18°)	771600
25	6/9 LED Flood Lens (30°-32°)	9LEDFLENS
25	6/9 LED Wide Flood Lens (56°-58°)	9LEDWFLENS

[‡] ZD = zoneable and dimmable (add ZD to front of part number)
^{**} ZDC kit includes LED board, reflector, screws, and flood lens (9LEDFLENS)

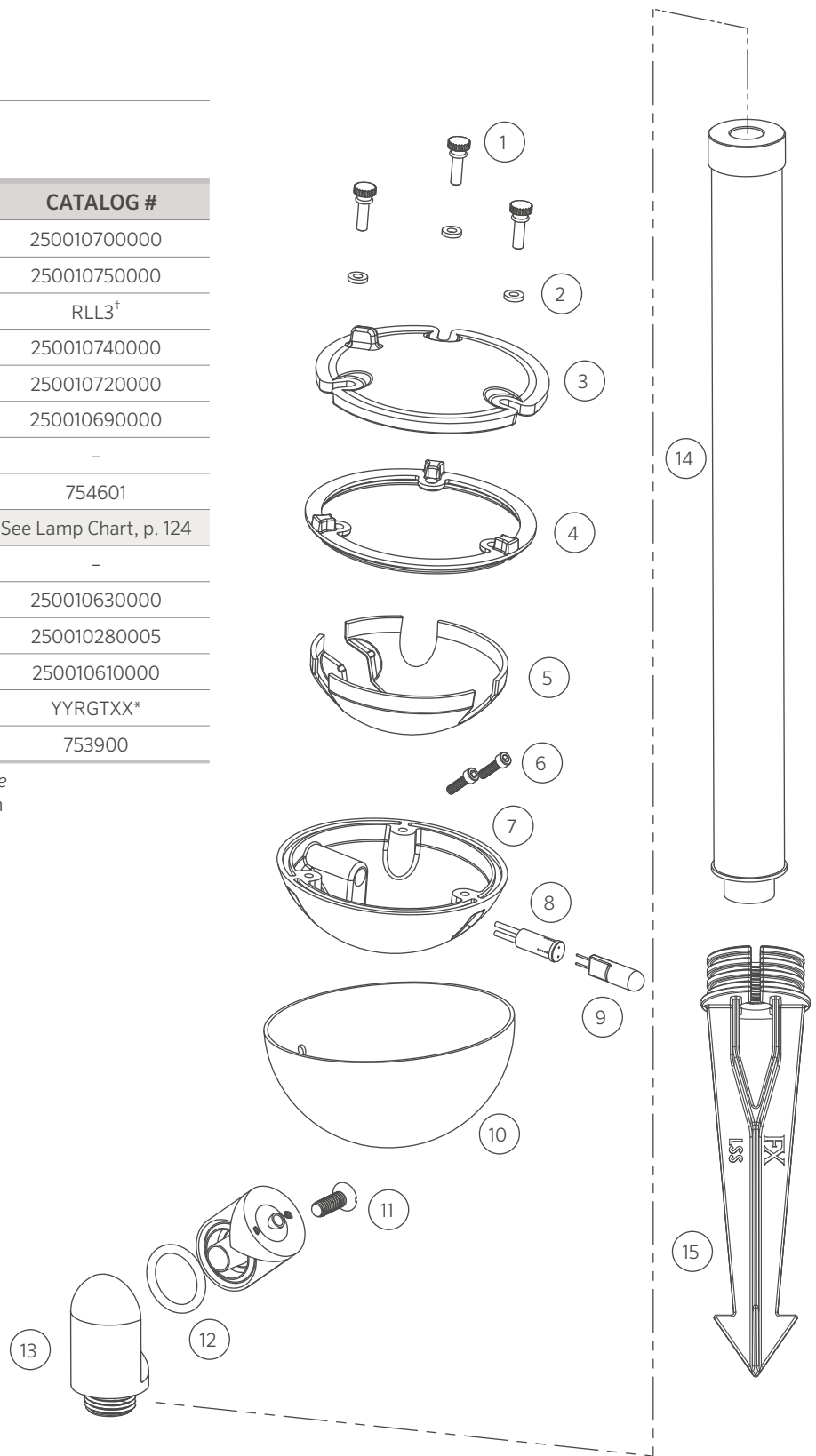


GT

ITEM	DESCRIPTION	CATALOG #
1	Screw, 8-32 x 1/2	250010700000
2	Washer	250010750000
3	Frosted Lens	RLL3 [†]
4	Seal	250010740000
5	Reflector	250010720000
6	Screw, 6-32 x 1/2	250010690000
7	Body	-
8	Socket, G4	754601
9	Lamp, G4 Bi-Pin	See Lamp Chart, p. 124
10	Housing	-
11	Screw	250010630000
12	O-Ring	250010280005
13	Knuckle	250010610000
14	Riser Assembly	YYRGTXX*
15	Super Slot Spike	753900

* YY = riser height in inches, XX = finish code

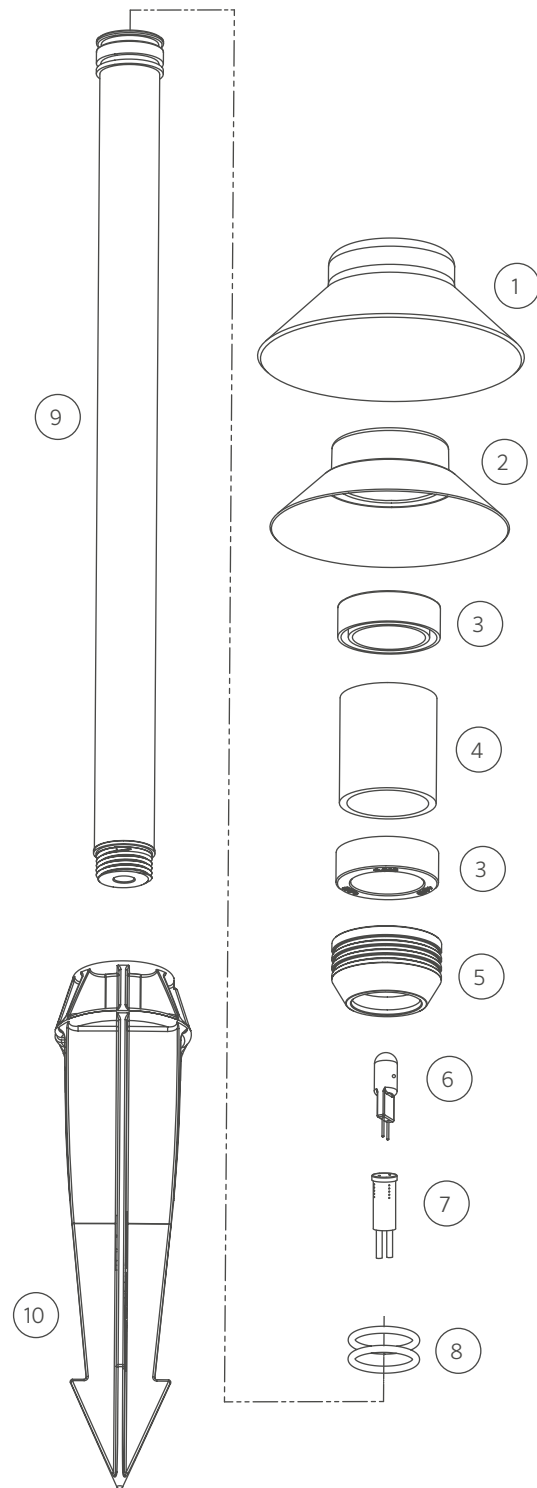
† Order RLL1 for obsolete, single-hole option



AP

ITEM	DESCRIPTION	CATALOG #
1	Copper Top Shade	-
2	Reflector	250012130000
3	Seal, Silicone	250012140000
4	Lens	250012120000
5	Reducer	250012090000
6	Lamp, G4 Bi-Pin	See Lamp Chart, p. 124
7	Socket, G4	754601
8	O-Ring	250010280004
9	Riser Sub Assembly	YYRA075XX*
10	Super Slot Spike	753900
1-5	Top Assembly	APTAXX*

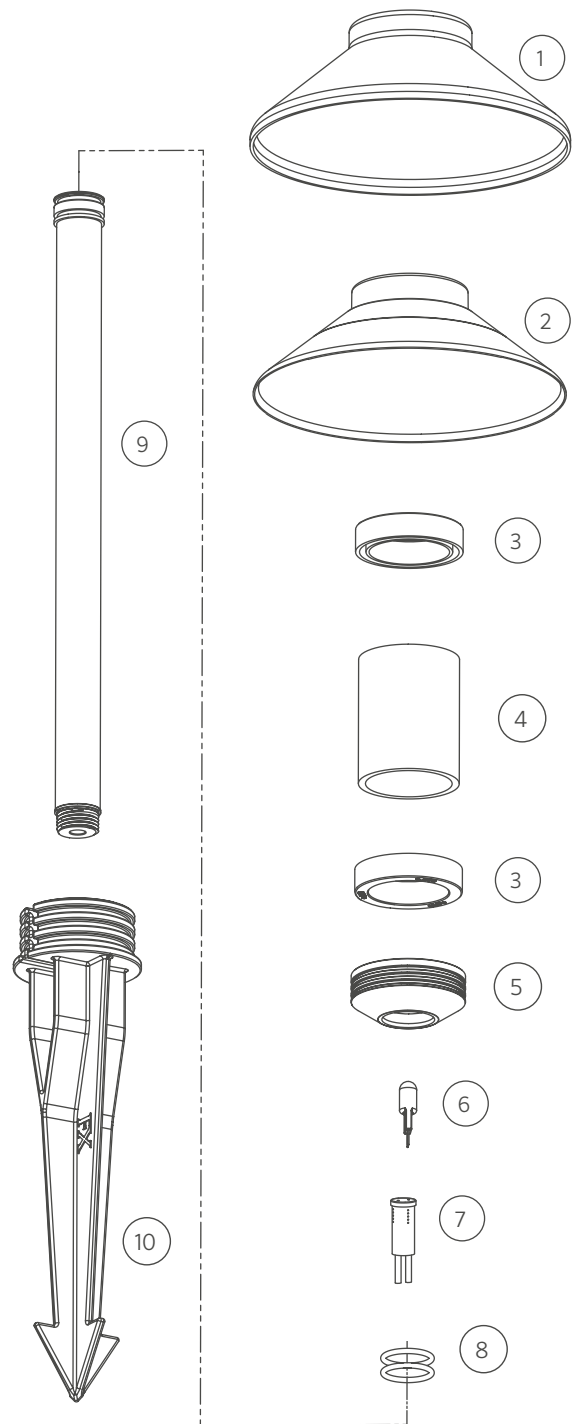
* YY = riser height in inches, XX = powder coat color code



AN

ITEM	DESCRIPTION	CATALOG #
1	Top, Copper	-
2	Reflector	250012420000
3	Seal	250012410000
4	Lens	250012400000
5	Reducer	250012370000
6	Lamp, G4 Bi-Pin	See Lamp Chart, p. 124
7	Socket, G4	754601
8	O-Ring	250010280004
9	Riser Sub Assembly	YYRA075XX*
10	Large Slot Spike (LSS)	250015840000
1-5	Top Assembly	ANTAXX*

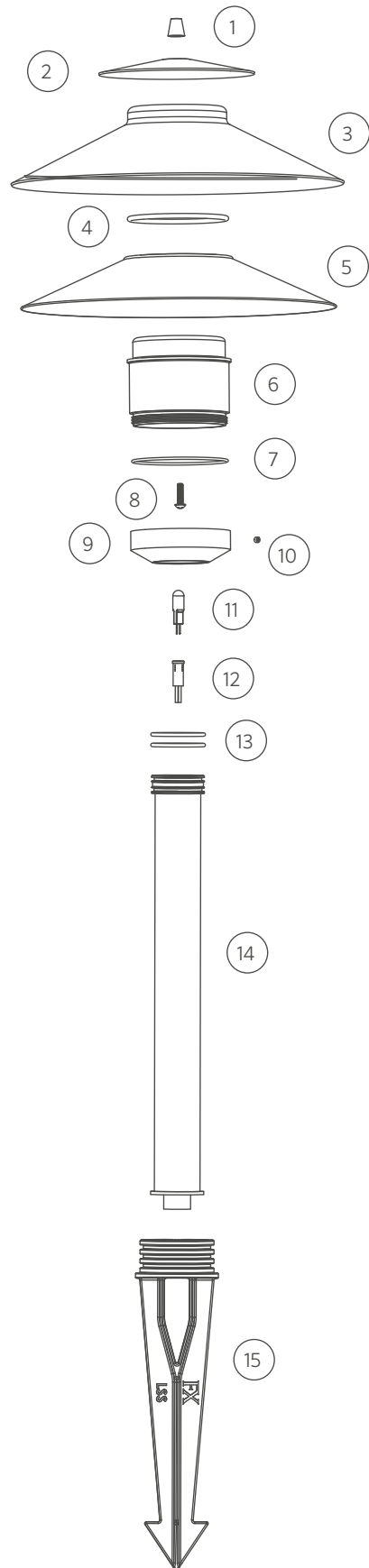
* YY = riser height in inches, XX = finish code



GN

ITEM	DESCRIPTION	CATALOG #
1	Cap	250012300000
2	Shade, Copper	-
3	Top, Copper	-
4	O-Ring	250010280028
5	Reflector	756400
6	Lens	756500
7	O-Ring	250010280027
8	Screw, 8-32 x 5/8	250012390000
9	Reducer, Brass	-
10	Screw, 8-32 x 1/8	250010320000
11	Lamp, G4 Bi-Pin	See Lamp Chart, p. 124
12	Socket, G4	754601
13	O-Ring	250010280014
14	Riser Assembly	YYRAGNXX*
15	Large Slot Spike (LSS)	250015840000
1-10	Top Assembly	GNTAXX*
	Hex Key, 5/64 Long Arm	250010330000

* YY = riser height in inches, XX = finish code

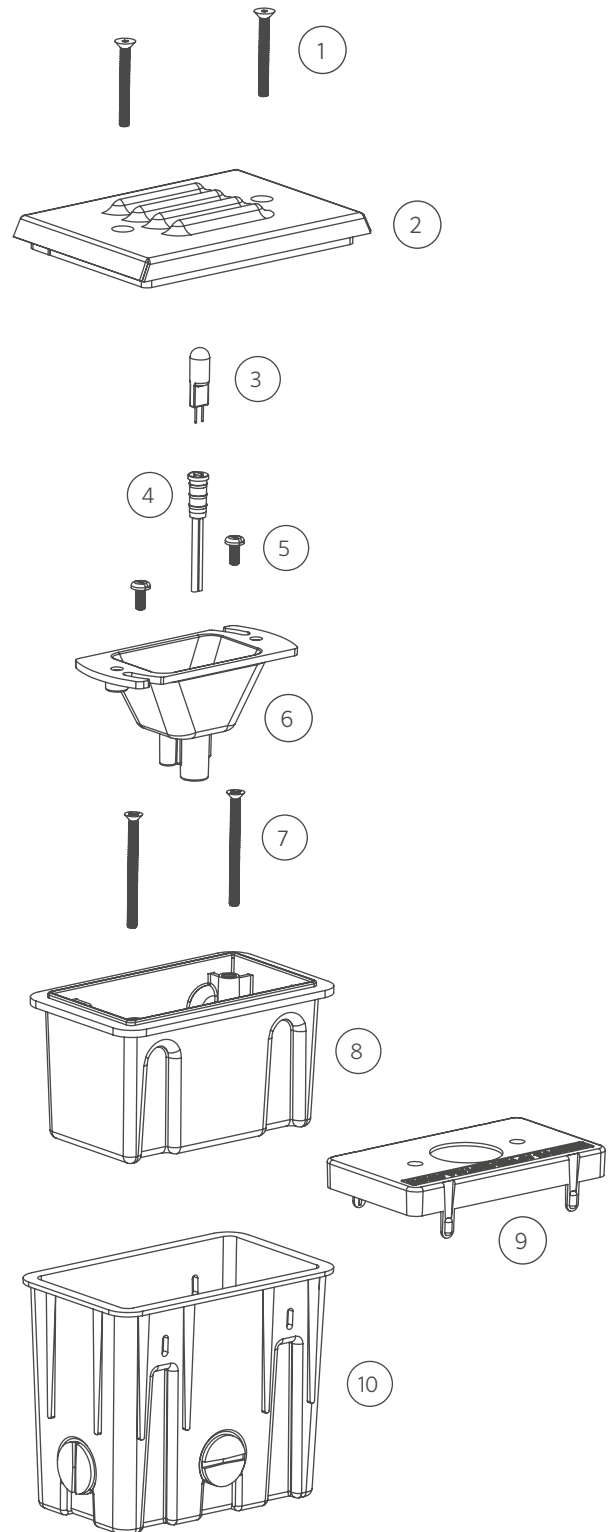


WALL LIGHTS

CP

ITEM	DESCRIPTION	CATALOG #
1	Screw, 8-32 x 1.5	250021670000
2	Faceplate, Lens, and Gasket	-
3	Lamp	250010260001
4	Socket, G4	754601
5	Screw, 8-32 x 3/8	250013070000
6	Reflector	250015750000
7	Screw, 8-32 x 2	250013080000
8	Inner Box	-
9	Sleeve Protector	-
10	Outer Sleeve	-
9-10	Sleeve and Protector Assembly	250022040000
4-8	Box Assembly	CPBA
1-2	Faceplate Assembly	CPFPXX*
	Hex Key, 3/32 Long Arm	250013120000

* XX = finish code



CP LED

ITEM	DESCRIPTION	CATALOG #
1	Screw, 8-32 x 1.5	250021670000
2	Faceplate, Lens, Gasket	-
3	Screw, 8-32 x 3/8	250013070000
4	Color Filter	See LED Chart
5	Screw, 4-40 x 3/8	762400
6	LED Board	See LED Chart
7	Socket, 3-meter	752601
8	Reflector	250015750000
9	Screw, 8-32 x 2	250013080000
10	Inner Box	-
11	Sleeve Protector	-
11-12	Sleeve and Protector Assembly	250022040000
12	Outer Sleeve	-
3-10	Retrofit Kit	CPLEDRETRO
1-2	Faceplate Assembly	CPFPXX*
	Hex Key, 3/32 Long Arm	250013120000

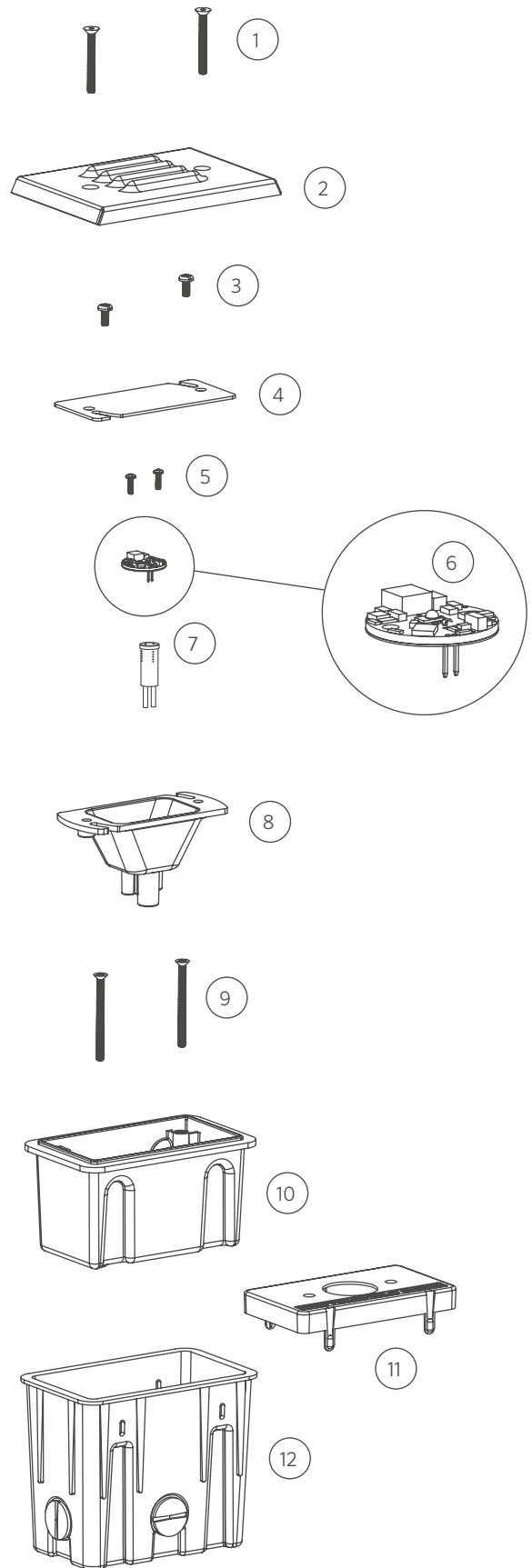
* XX = finish code

CP LED COMPONENTS

ITEM	DESCRIPTION	CATALOG #
4	Color Filter, Amber	250015770000
4	Color Filter, Blue	250015770001
4	Color Filter, Green	250015770002
6	1 LED Board	1LEDULKIT [‡]

[‡] ZD = zoneable and dimmable (add ZD to front of part number)

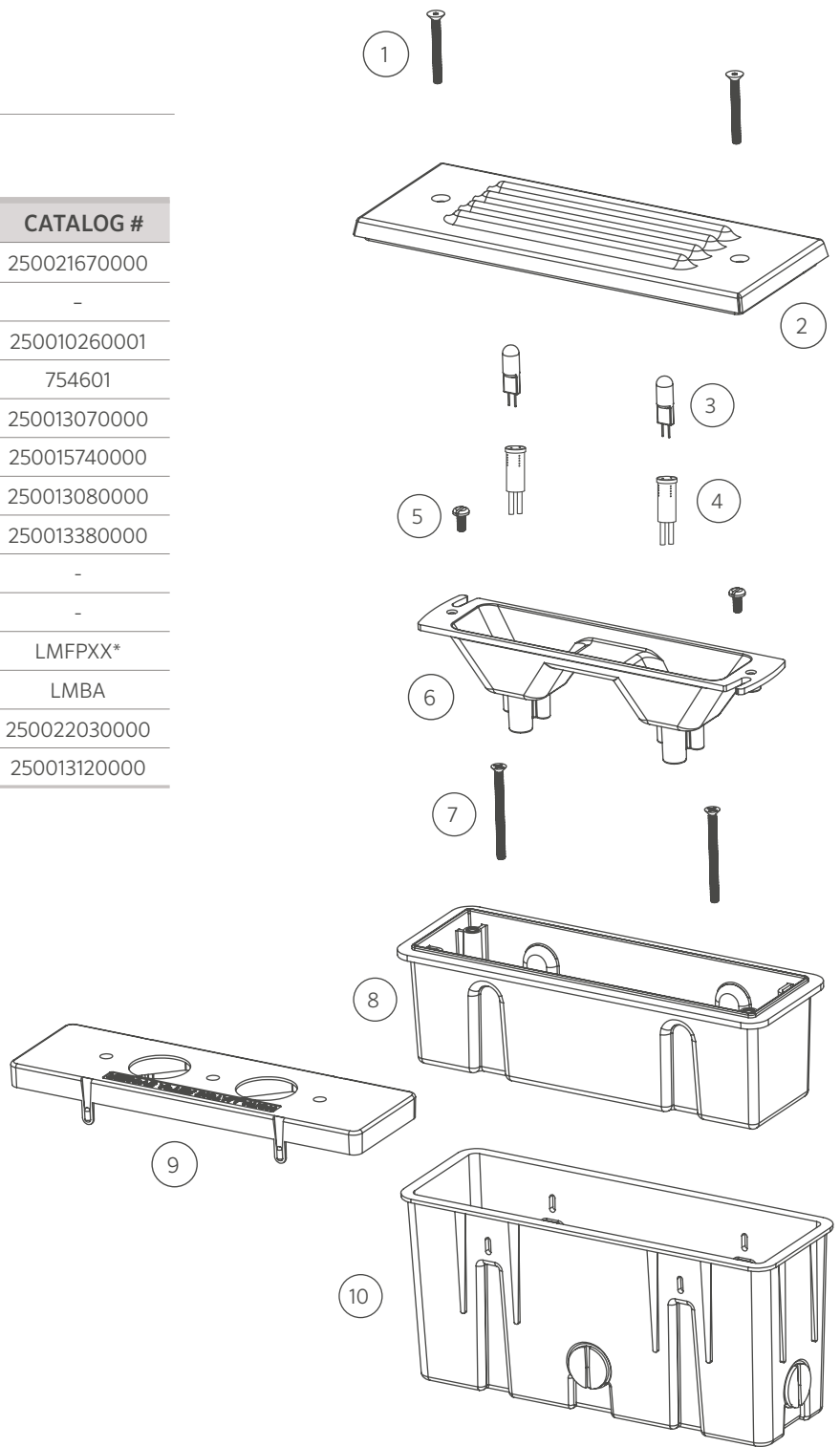
[†] Kits do not include UN/CP colored filters; must order separately



LM

ITEM	DESCRIPTION	CATALOG #
1	Screw, 8-32 x 1.5	250021670000
2	Faceplate, Lens, and Gasket	-
3	Lamp	250010260001
4	Socket, G4	754601
5	Screw, 8-32 x 3/8	250013070000
6	Reflector	250015740000
7	Screw, 8-32 x 2.0	250013080000
8	Inner Box	250013380000
9	Sleeve Protector	-
10	Sleeve	-
1-2	Faceplate Assembly	LMFPXX*
4-8	Box Assembly	LMBA
9-10	Sleeve and Protector Assembly	250022030000
	Hex Key, 3/32 Long Arm	250013120000

* XX = finish code for faceplate



LM LED

ITEM	DESCRIPTION	CATALOG #
1	Screw, 8-32 x 1.5	250021670000
2	Faceplate, Lens, and Gasket	-
3	Screw, 4-40 x 3/8	762400
4	Color Filter	See LED Chart
5	Screw, 8-32 x 3/8	250013070000
6	LED Board	See LED Chart
7	Socket, 3-meter	752601
8	Reflector	250015740000
9	Screw, 8-32 x 2.0	250013080000
10	Inner Box	-
11	Sleeve Protector	-
12	Sleeve	-
1-2	Faceplate Assembly	LMFPXX*
4-10	LED Retrofit Kit	LMLEDRETRO
11-12	Sleeve and Protector Assembly	250022030000
	Hex Key, 3/32 Long Arm	250013120000

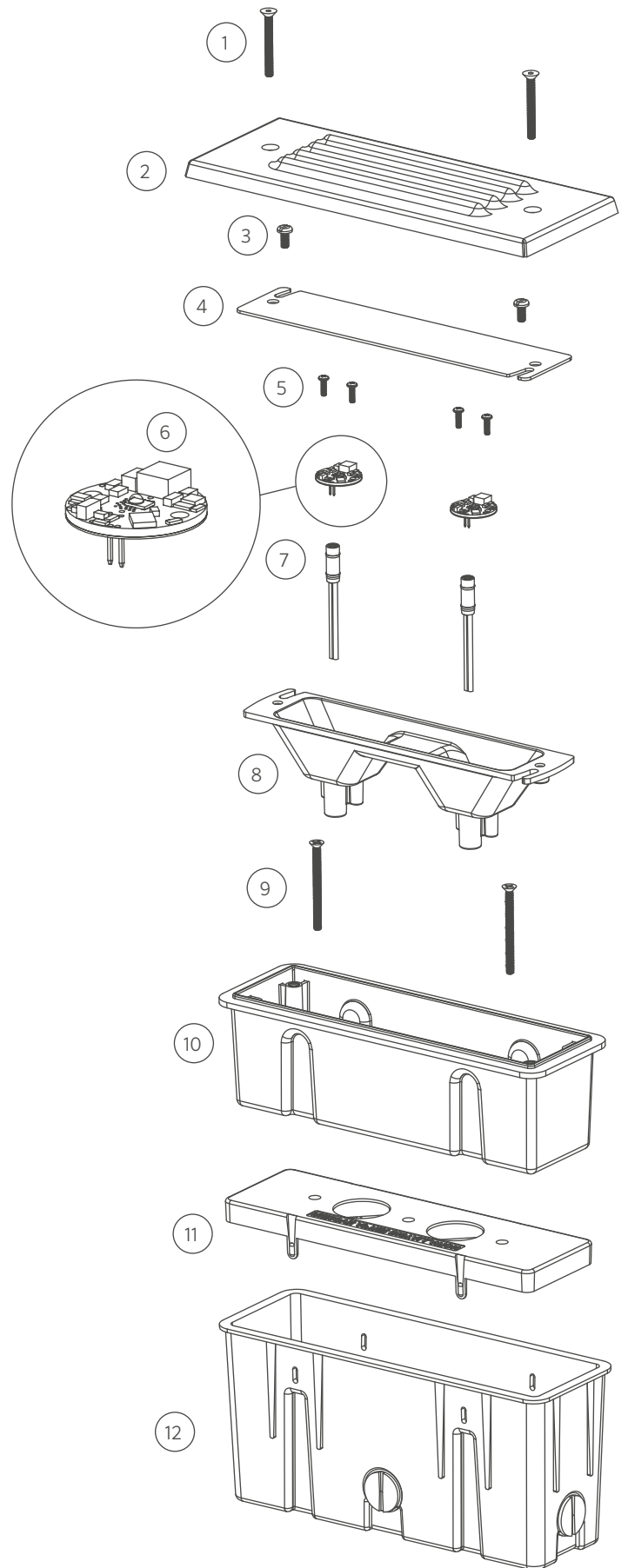
*XX = finish code for faceplate

LM LED COMPONENTS

ITEM	DESCRIPTION	CATALOG #
4	Color Filter, Amber	250015760000
4	Color Filter, Blue	250015760001
4	Color Filter, Green	250015760002
6	1 LED Board	1LEDULKIT [‡]

[‡] ZD = zoneable and dimmable (add ZD to front of part number)

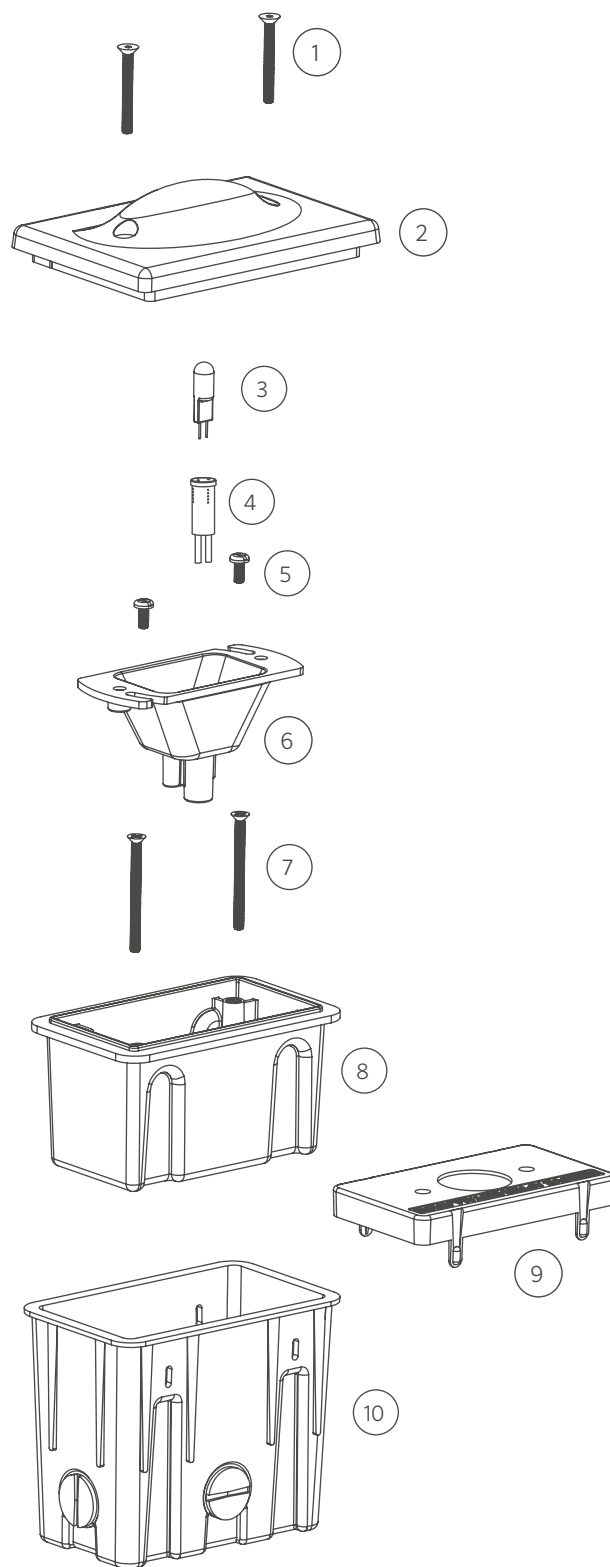
[†] Kits do not include LM/PD colored filters; must order separately



UN

ITEM	DESCRIPTION	CATALOG #
1	Screw, 8-32 x 1.5	250021670000
2	Faceplate, Lens, and Gasket	-
3	Lamp, Xenon	250010260001
4	Socket, G4	754601
5	Screw, 8-32 x 3/8	250013070000
6	Reflector	250015750000
7	Screw, 8-32 x 2.0	250013080000
8	Inner Box	-
9	Sleeve Protector	-
10	Outer Sleeve	-
9-10	Sleeve and Protector Assembly	250022040000
4-8	Box Assembly	CPBA
1-2	Faceplate Assembly	UNFPXX*
	Hex Key, 3/32 Long Arm	250013120000

* XX = finish code for faceplate



UN LED

ITEM	DESCRIPTION	CATALOG #
1	Screw, 8-32 x 1.5	250021670000
2	Faceplate, Lens, and Gasket	-
3	Screw	250013070000
4	Color Filter	See LED Chart
5	Screw	762400
6	LED Board	See LED Chart
7	Socket, 3-meter	752601
8	Reflector	250015750000
9	Screw, 8-32 x 2.0	250013080000
10	Inner Box	-
11-12	Sleeve and Protector Assembly	250022040000
11	Sleeve Protector	-
12	Outer Sleeve	-
3-10	LED Retrofit Kit	CPLEDRETRO
1-2	Faceplate Assembly	UNFPXX*
	Hex Key, 3/32 Long Arm	250013120000

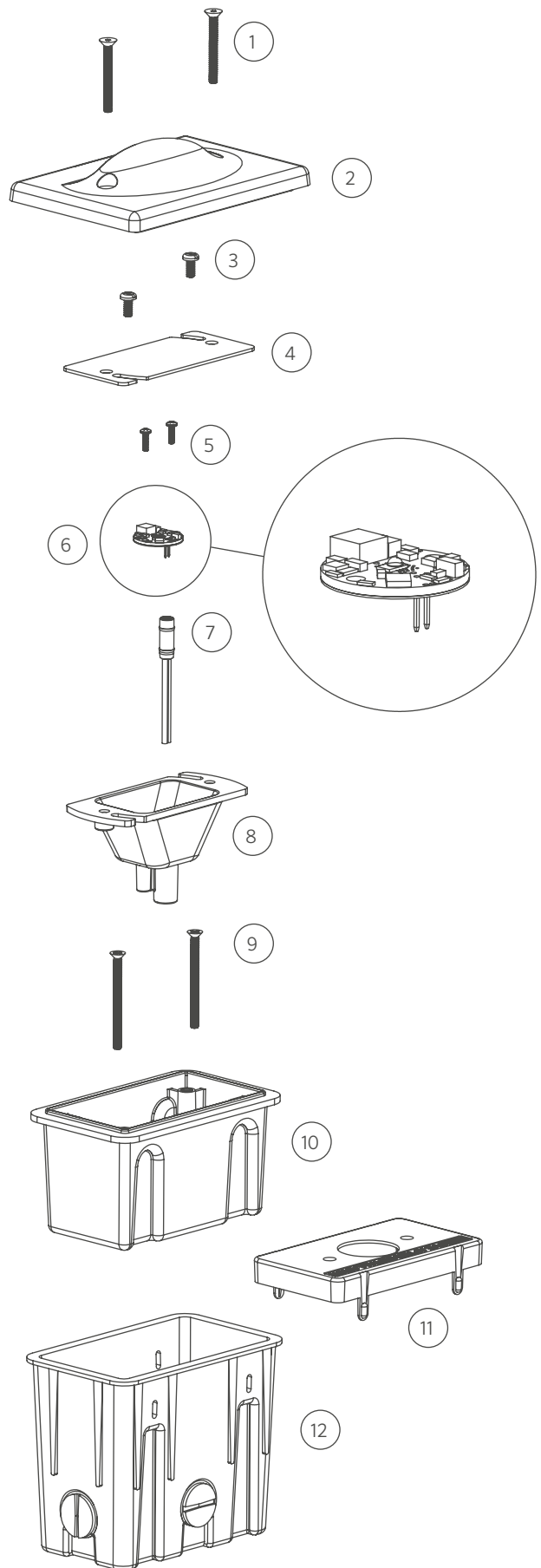
* XX = finish code for faceplate

UN LED COMPONENTS

ITEM	DESCRIPTION	CATALOG #
4	Color Filter, Amber	250015770000
4	Color Filter, Blue	250015770001
4	Color Filter, Green	250015770002
6	1 LED Board	1LEDULKIT [†]

[‡] ZD = zoneable and dimmable (add ZD to front of part number)

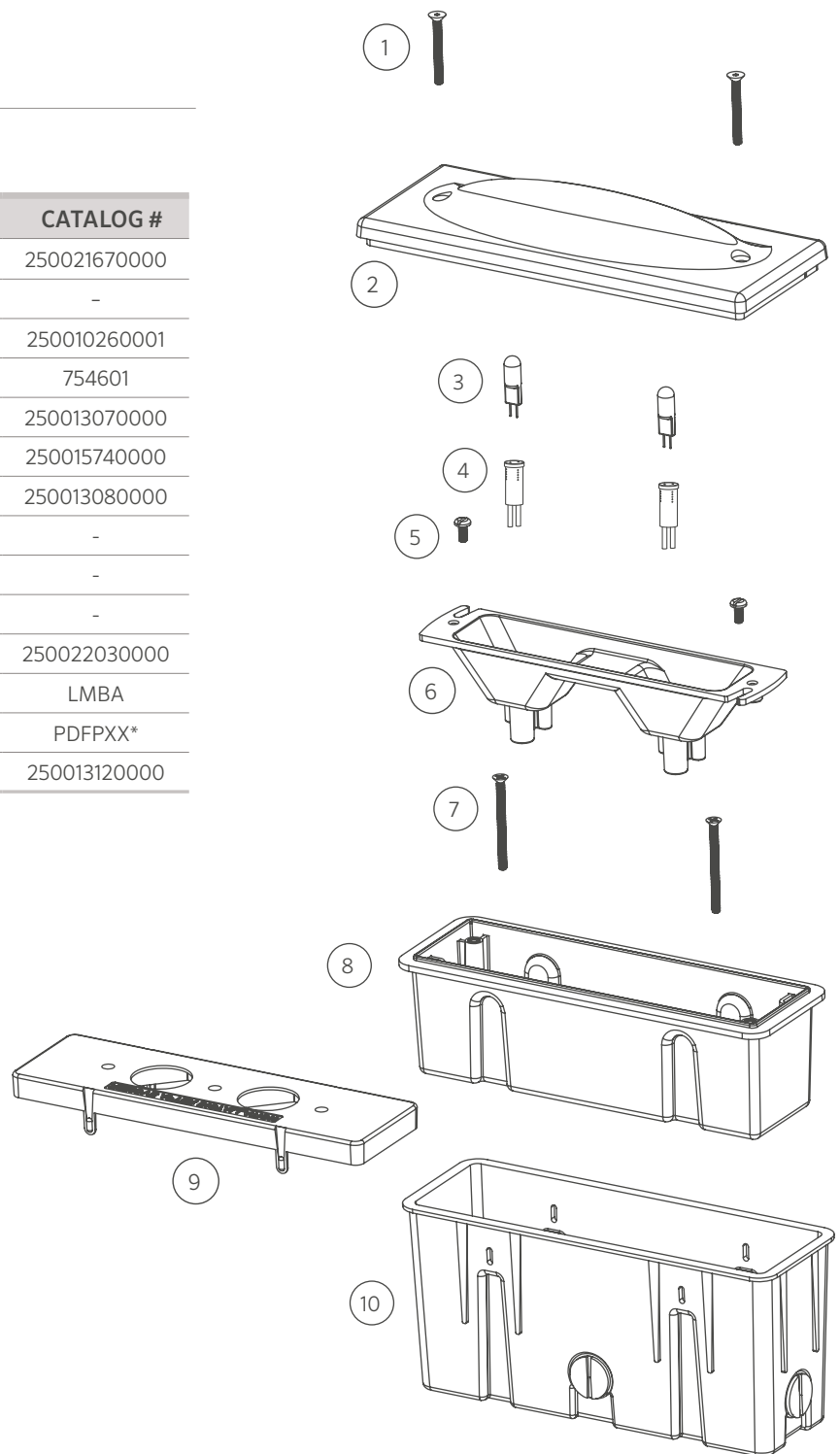
[†] Kits do not include UN/CP colored filters; must order separately



PD

ITEM	DESCRIPTION	CATALOG #
1	Screw, 8-32 x 1.5	250021670000
2	Faceplate, Lens, and Gasket	-
3	Lamp, Xenon	250010260001
4	Socket, G4	754601
5	Screw, 8-32 x 3/8	250013070000
6	Reflector	250015740000
7	Screw, 8-32 x 2.0	250013080000
8	Inner Box	-
9	Sleeve Protector	-
10	Outer Sleeve	-
9-10	Sleeve and Protector Assembly	250022030000
4-8	Box Assembly	LMBA
1-2	Faceplate Assembly	PDFPXX*
	Hex Key, 3/32 Long Arm	250013120000

*XX = finish code for faceplate



PD LED

ITEM	DESCRIPTION	CATALOG #
1	Screw, 8-32 x 1.5	250021670000
2	Faceplate	-
3	Screw	250015770000
4	Color Filter	See LED Chart
5	Screw	762400
6	LED Board	See LED Chart
7	Socket	752601
8	Reflector	250015750000
9	Screw, 8-32 x 2.0	250013080000
10	Inner Box	250013380000
11	Sleeve Protector	-
12	Outer Sleeve	-
11-12	Sleeve and Protector Assembly	250022030000
3-10	LED Retrofit Kit	LMLEDRETRO
1-2	Faceplate Assembly	PDFPXX*
	Hex Key, 3/32 Long Arm	250013120000

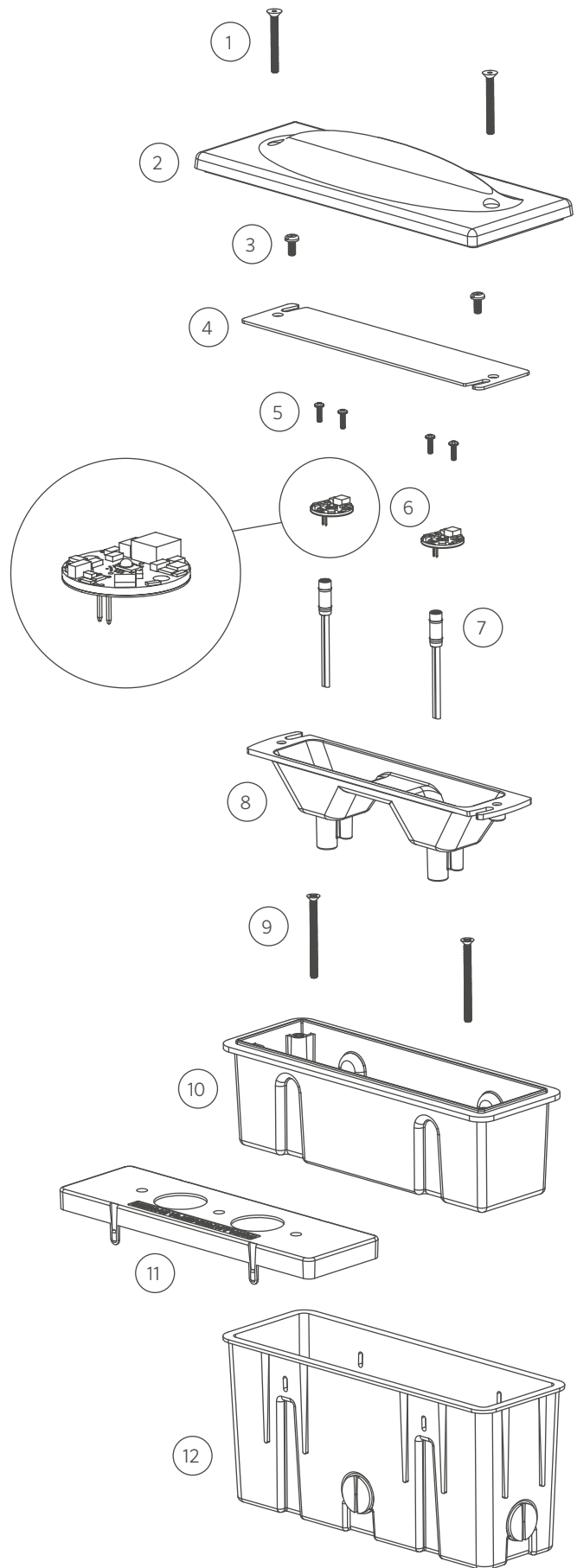
* XX = finish code for faceplate

PD LED COMPONENTS

ITEM	DESCRIPTION	CATALOG #
4	Color Filter, Amber	250015760000
4	Color Filter, Blue	250015760001
4	Color Filter, Green	250015760002
6	1 LED Board	1LEDULKIT [‡]

[‡] ZD = zoneable and dimmable (add ZD to front of part number)

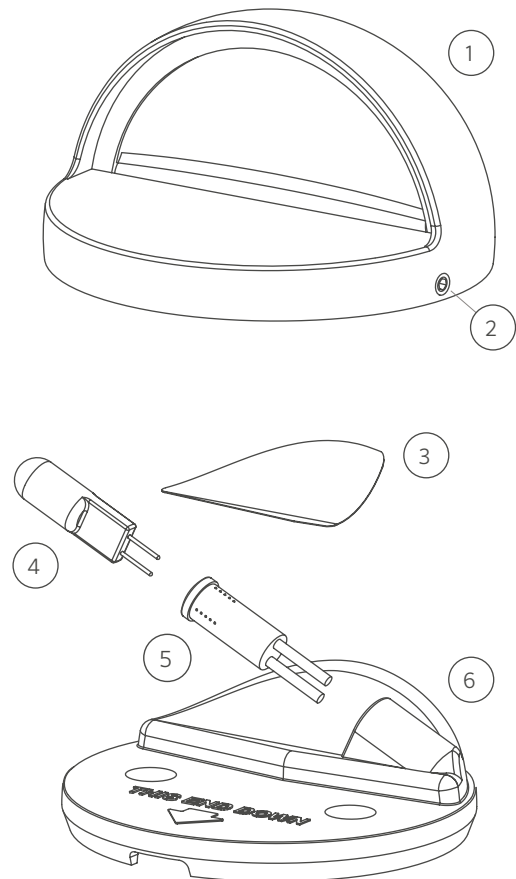
[†] Kits do not include PD/LM colored filters; must order separately



MM

ITEM	DESCRIPTION	CATALOG #
1	Faceplate, Lens and Screws	MMFPXX*
2	Screw, 8-32 x 1/8	250010320000
3	Reflector	-
4	Lamp, Xenon	250010260001
5	Socket, G4	250010730000
6	Housing	-
	Hex Key, 5/64 Long Arm	250010330000

*XX = powder coat color code for faceplate



MS LED

ITEM	DESCRIPTION	CATALOG #
1	Faceplate and Screws	MSFPXX*
2	Screw, 8-32 x 1/8	250010320000
3	Housing	-
4	Socket, 3-meter	752601
5	LED Board	See LED Chart
6	Screw, 4-40 x 3/8	762400
7	Gasket	250015520000
8	Color Filter - Frosted/Amber	See LED Chart
9	Screw, 6-32 x 3/8	250014810000
	Hex Key, 5/64 Long Arm	250010330000

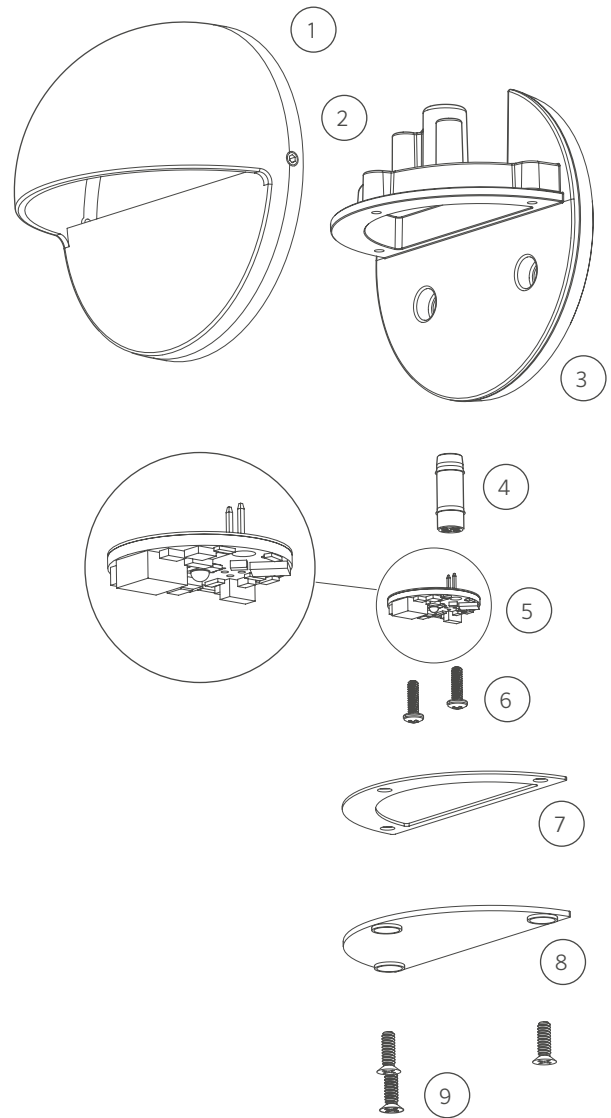
*XX = powder coat color code for faceplate

MS LED COMPONENTS

ITEM	DESCRIPTION	CATALOG #
5	1 LED Board	1LEDULKIT††
8	Color Filter, Frosted	250015530000
8	Color Filter, Amber	250015530001

‡ ZD = zoneable and dimmable (add ZD to front of part number)

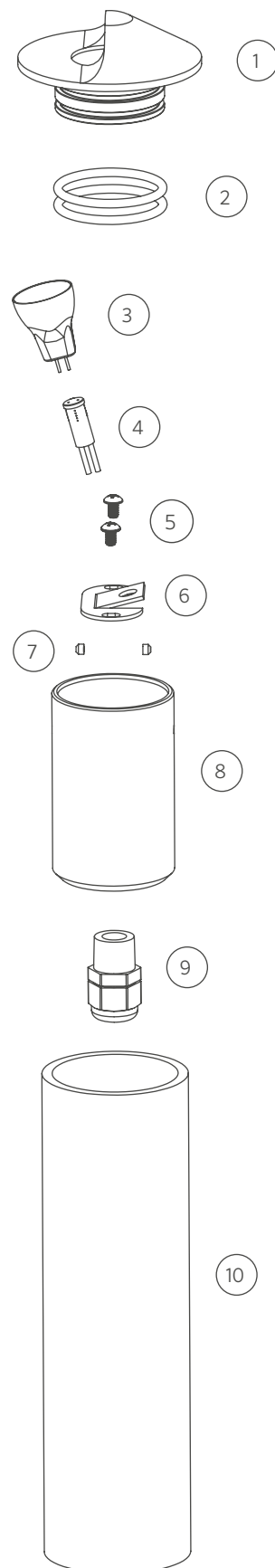
† Kits do not include MS colored filters; must order separately



CG

ITEM	DESCRIPTION	CATALOG #
1	Faceplate and Lens	-
2	O-Ring	250010280000
3	Lamp	250010490000
4	Socket, G4	250010730000
5	Screw, 8-32 x ¼	250013660000
6	Bracket	250013630000
7	Screw, 8-32 x ⅛	250010320000
8	Brass Body	-
9	Cord Grip	250010320000
10	2" PVC Conduit, Schedule 40	250013670000
1-2	Faceplate Assembly	CGFPXX*
	Hex Key, 5/64 Long Arm	250010330000

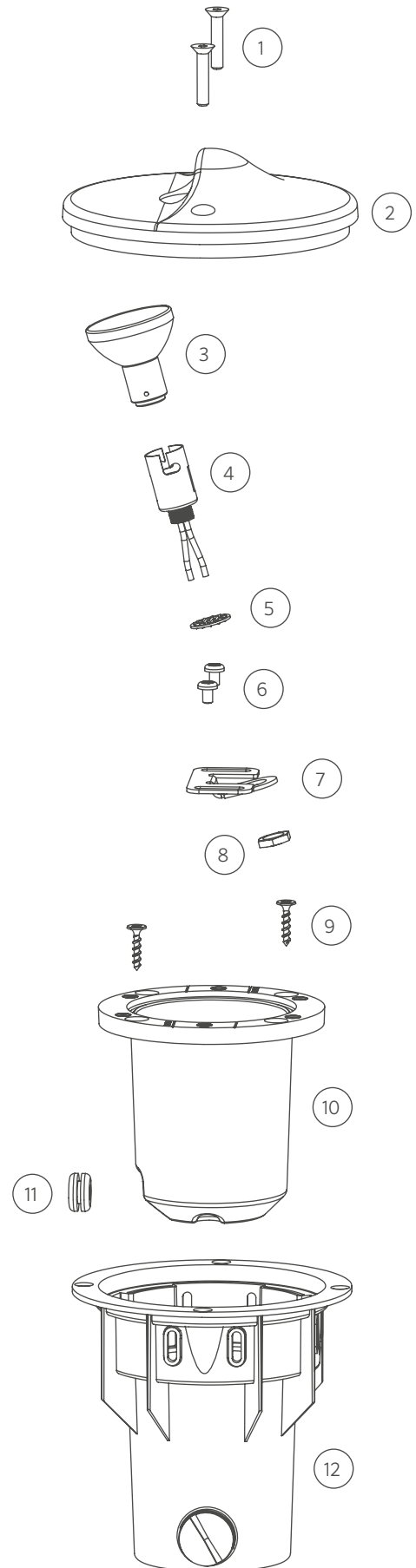
* XX = finish code for faceplate



ML

ITEM	DESCRIPTION	CATALOG #
1	Screw, 10-24 x 1.0	250013560000
2	Faceplate, Lens, and Gasket	-
3	Lamp, MR-11	250010240000
4	Socket Assembly	250012890000
5	Washer	250013590000
6	Screw, 8-32 x 1/4	250011710000
7	Bracket	250013530000
8	Brass Nut	250012970000
9	Screw, 6 x 1.5	250013060000
10	Inner Sleeve	250013510000
11	Grommet	250013570000
12	Outer Housing	250013520000
1-2	Faceplate Assembly	MLFPXX*
	Hex Key, 1/8" Short arm	250013580000

*XX = powder coat color code for faceplate



PO LED

ITEM	DESCRIPTION	CATALOG #
1	Faceplate, Round (RO)	-
2	Faceplate, Spot (ST)	-
3	Frosted Lens	-
4	Faceplate, Square (SQ)	-
5	Faceplate, Wash (WW)	-
6	Reflector	-
7	Lens, Wall Wash Only	-
8	Sleeve	250018590000
9	Body	-
10	O-Ring	250010280005
11	Socket, 3-meter	-
12	LED Board	See LED Chart
13	Screw, 4-40 x 3/8	762400
14	Color Filter	See LED Chart
15	O-Ring	250010280016
1, 3, 15	Round Faceplate Assembly	PORDFPXX*
2-3, 15	Spot Faceplate Assembly	POSTFPXX*
3-4, 15	Square Faceplate Assembly	POSQFPXX*
5-7, 15	Wall Wash Faceplate Assembly	POWWFPXX*

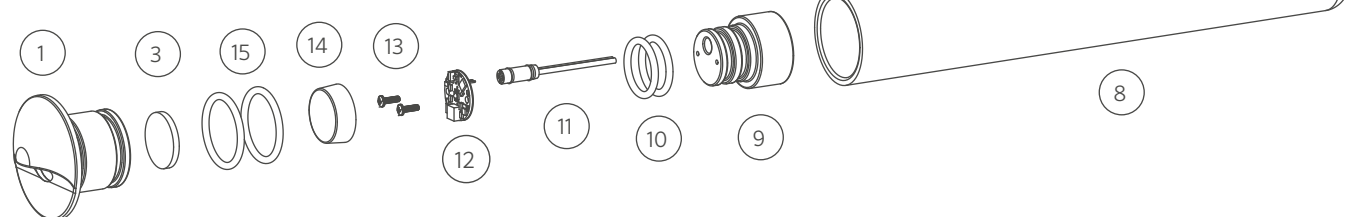
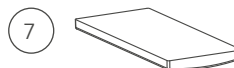
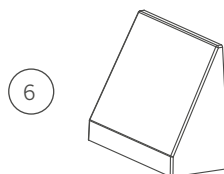
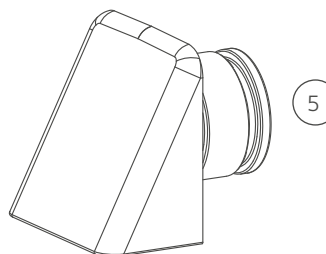
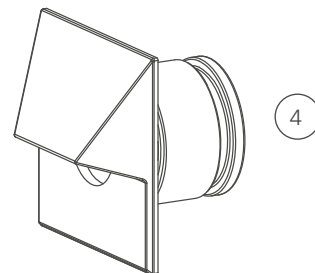
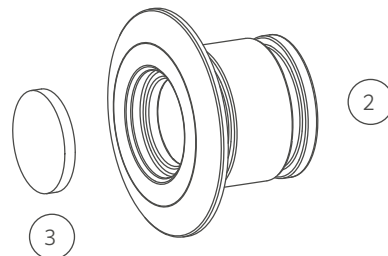
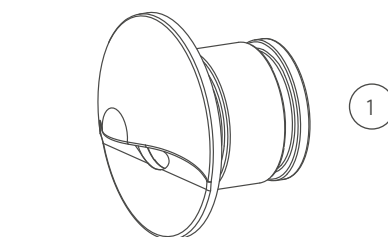
*XX = finish color code for faceplate

PO LED COMPONENTS

ITEM	DESCRIPTION	CATALOG #
12	1 LED Board	1LEDULKIT†
14	Color Filter, Amber	250015900000
14	Color Filter, Blue	250015900001
14	Color Filter, Green	250015900002

‡ ZD = zoneable and dimmable (add ZD to front of part number)

† Kits do not include PO colored filters; must order separately



MO LED

ITEM	DESCRIPTION	CATALOG #
1	Faceplate, Round (RO)	-
2	Faceplate, Spot (ST)	-
3	Frosted Lens	-
4	Faceplate, Square (SQ)	-
5	Faceplate, Wash (WW)	-
6	Reflector	-
7	Lens, Wall Wash Only	-
8	Sleeve, MO	250020600000
9	Body	-
10	O-Ring	250010280016
11	Socket, 3-meter	-
12	LED Board	See LED Chart
13	Screw, 4-40 x 3/8 (Qty Req: 2)	762400
14	Color Filter	See LED Chart
15	O-Ring	250010280006
1, 3, 15	Round Faceplate Assembly	MOFPRDXX*
2-3, 15	Spot Faceplate Assembly	MOFPSTXX*
3-4, 15	Square Faceplate Assembly	MOFPSQXX*
5-7, 15	Wall Wash Faceplate Assembly	MOFPWWXX*

*XX = finish color code for faceplate

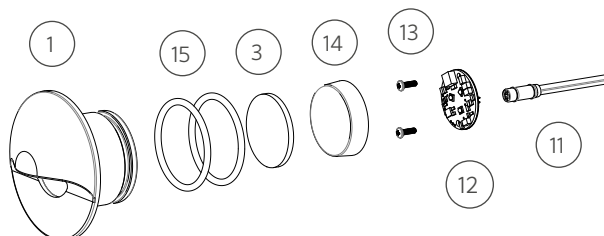
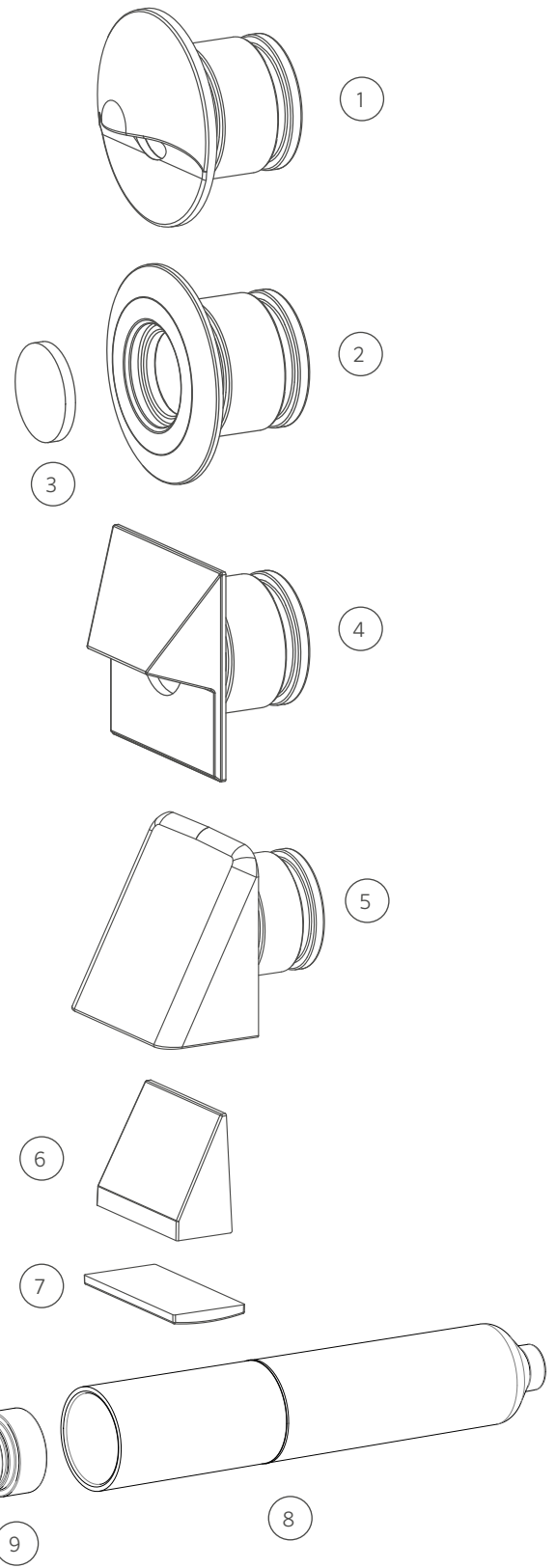
MO LED COMPONENTS

ITEM	DESCRIPTION	CATALOG #
12	1 LED Board	1LEDULKIT*†
12	3 LED Board	3LEDULKIT*†
12	ZDC LED Board	ZDCKITM**
14	Color Filter, Amber	250020630000
14	Color Filter, Blue	250020630001
14	Color Filter, Green	250020630002

*ZD = zoneable and dimmable (add ZD to front of part number)

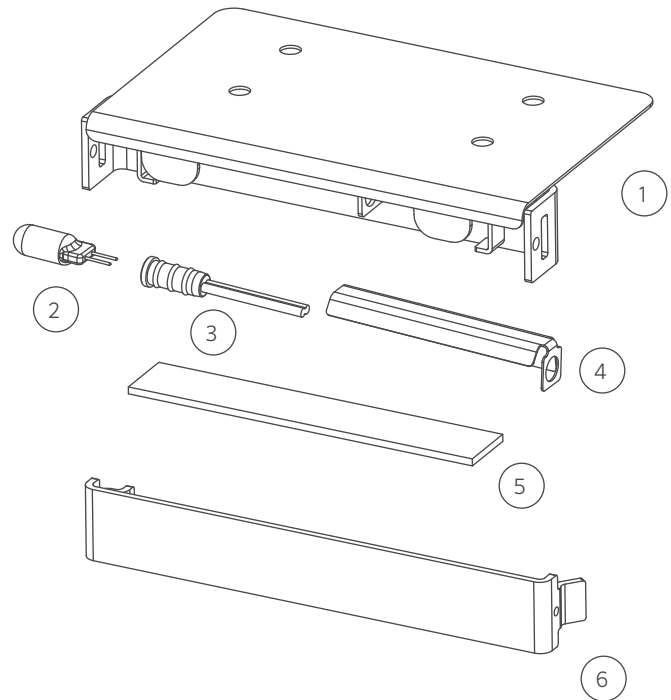
**ZDC kit includes LED board, reflector, screws, and flood lens (3LEDFLLENS)

†Kits do not include MO colored filters; must order separately



BP

ITEM	DESCRIPTION	CATALOG #
1	Plate/Bracket Assembly	-
2	Lamp	250010260001
3	Socket	754600
4	Reflector	754100
5	Lens, Glass	754500
6	Faceplate	See Faceplate Chart

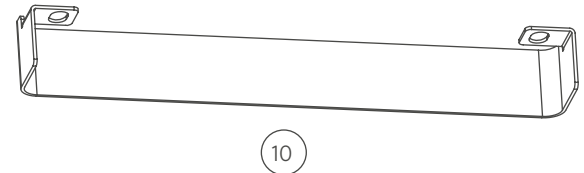
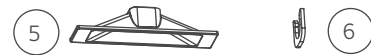
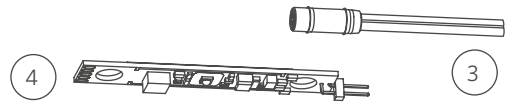
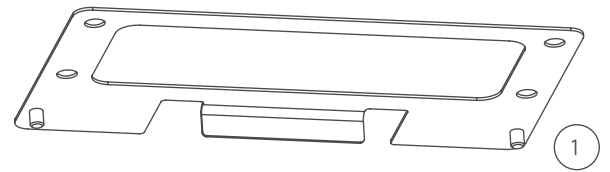


BP FACEPLATES

ITEM	DESCRIPTION	CATALOG #
6	Brass	754000
6	Copper	754800
6	Stainless Steel	756600
6	Bronze Metallic	756701
6	Black Wrinkle	756702
6	Verde Speckle	756703
6	White Wrinkle	756704
6	Desert Granite	756706
6	Sedona Brown	756707
6	Weathered Iron	756709
6	Flat Black	756714
6	Flat White	756715
6	White Gloss	756716
6	Almond	756719

LF LED

ITEM	DESCRIPTION	CATALOG #
1	Mounting Plate	755300
2	Housing	-
3	Socket, 3-meter	752601
4	LED Board - Standard/ZD/ZDC	755902/755901/ ZDCKITR
5	Reflector	755700
6	Socket Clip	755800
7	O-Ring	250010280000
8	Lens - Frosted/Amber	755600/755601
9	Screw, 6-32 x 3/8	250014810000
10	Faceplate	See Faceplate Chart
11	Acorn Nut	250014800000



LF FACEPLATES

ITEM	DESCRIPTION	CATALOG #
10	Bronze	757001
10	Black Wrinkle	757002
10	Verde Speckle	757003
10	White Wrinkle	757004
10	Desert Granite	757006
10	Sedona Brown	757007
10	Weathered Iron	757009
10	Flat Black	757014
10	Flat White	757015
10	White Gloss	757016
10	Almond	757019
10	Silver	757021
10	Copper	756800
10	Stainless Steel	756900
10	Antique Bronze, Brass	755412
10	Antique Bronze, Copper	756812
10	Brass	755400
10	Antique Tumbled, Brass	755420
10	Antique Tumbled, Copper	756820

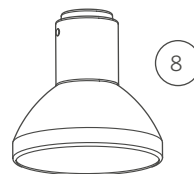
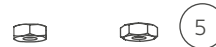
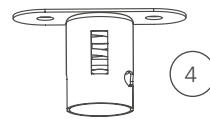
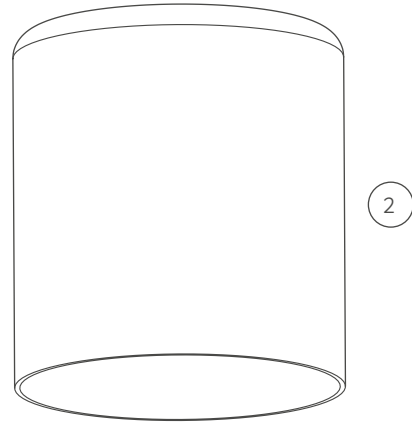
DOWN LIGHTS

CL

ITEM	DESCRIPTION	CATALOG #
1	Screw, 6-32 x 3/4	250011500000
2	Copper Can	-
3	Coupling	250013920000
4	Socket	250013910000
5	Nut	250011510000
6	O-Ring	250010280019
7	Reflector	-
8	Lamp	See Lamp Chart

LAMP Chart

DESCRIPTION	CATALOG #
Lamp, AR-11, 20W, F, 18°, 2,000 Hrs	250010240001
Lamp, AR-11, 20W, F 32°, 2,000 Hrs	250010240002
Lamp, AR-11, 35W, 10°, 2,000 Hrs	250010240003
Lamp, AR-11, 35W, 30°, 2,000 Hrs	250010240004
Lamp, AR-20, 50W, 10°, 2,000 Hrs	250010240005
Lamp, AR-20, 50W, F, 25°, 2,000 Hrs	250010240006

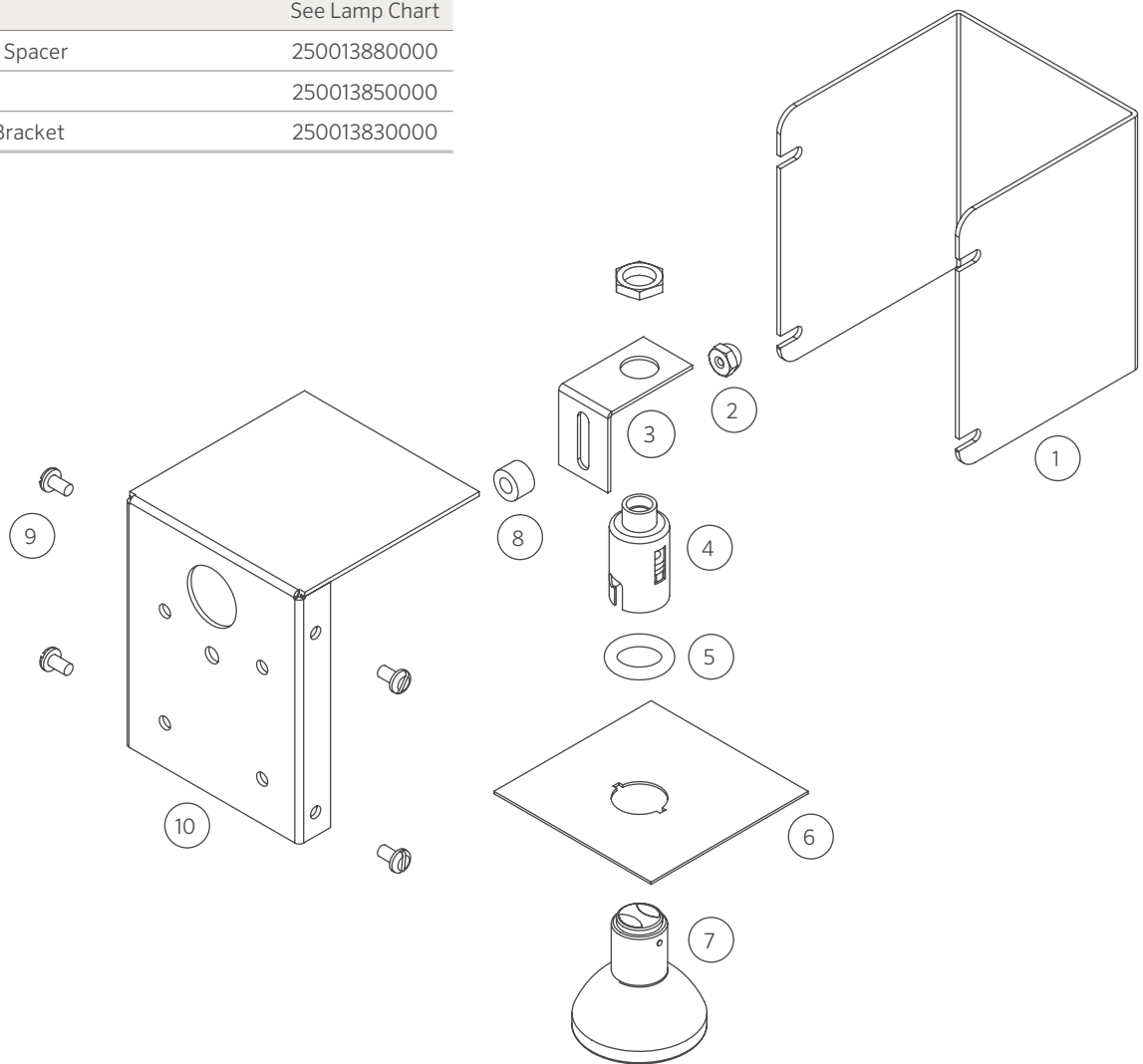


TC

ITEM	DESCRIPTION	CATALOG #
1	Cover	-
2	Nut	250013860000
3	Clip	250014870000
4	Socket	250012890000
5	O-Ring	250010280019
6	Copper Shroud	-
7	Lamp	See Lamp Chart
8	Aluminum Spacer	250013880000
9	Screw	250013850000
10	Copper L-Bracket	250013830000

LAMP Chart

DESCRIPTION	CATALOG #
Lamp, AR-11, 20W, F 18°, 2,000 Hrs	250010260001
Lamp, AR-11, 20W, F 32°, 2,000 Hrs	250010260002
Lamp, AR-11 35W, 10°, 2,000 Hrs	250010260003
Lamp, AR-11 35W, 30°, 2k Hrs	250010250000

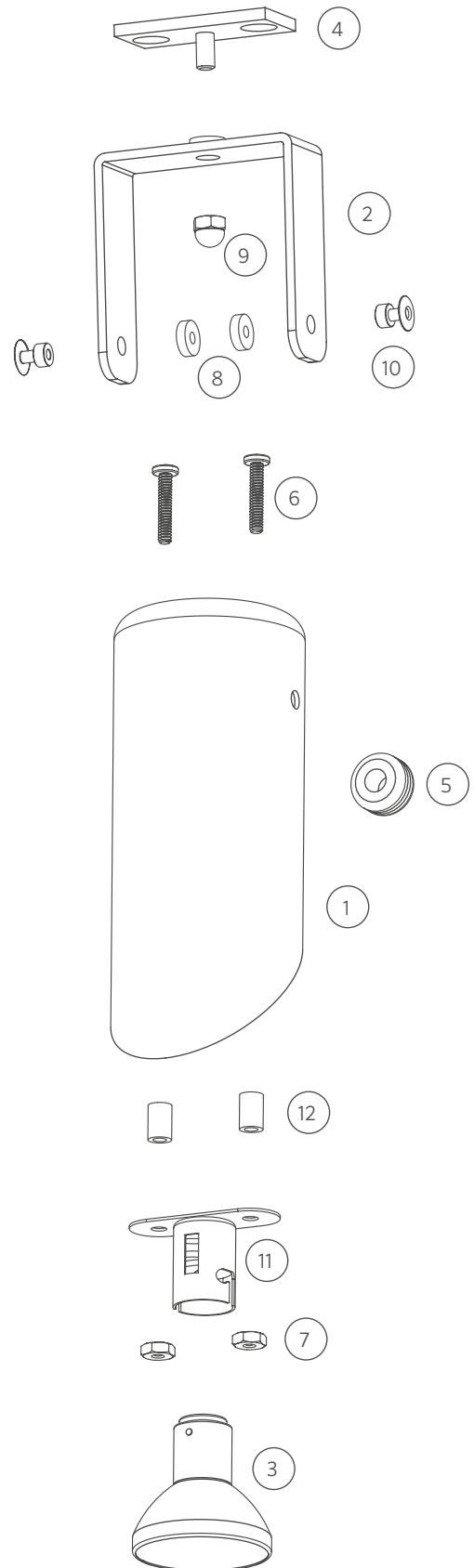


TS

ITEM	DESCRIPTION	CATALOG #
1	Copper Shroud	-
2	Copper Bracket	-
3	Lamp	See Lamp Chart
4	Copper Wall Bracket	-
5	Rubber Grommet	250013570000
6	Screw, 6-32 x ¾	250011500000
7	Nut	250011510000
8	Washer	250014080000
9	Nut	250014130000
11	Socket	250013910000
10	Coupling	250013920000

LAMP Chart

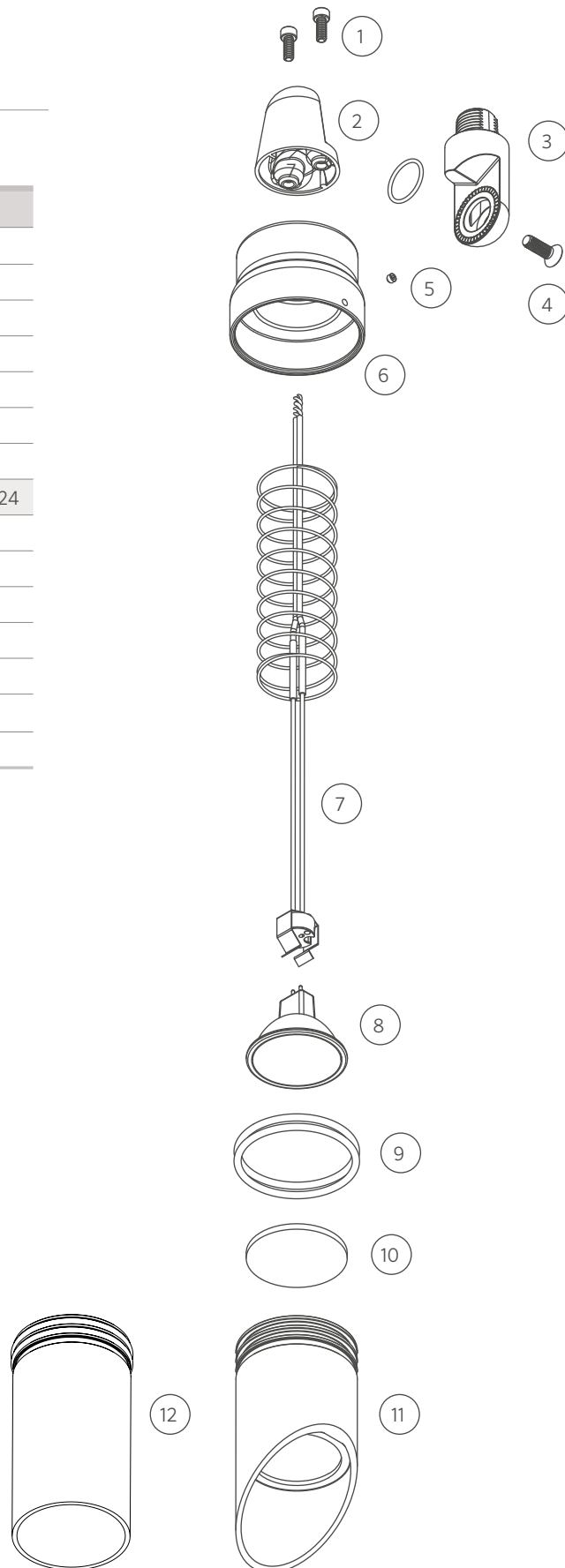
DESCRIPTION	CATALOG #
Lamp, AR-11, 20W, F 18 deg 2k hours	250010240001
Lamp, AR-11 20 W F 32 deg 2K hours	250010240002
Lamp, AR-11 35 W 10 deg 2k hours	250010240003
Lamp, AR-11 35 W 30 deg 2k hours	250010240004
Lamp, AR-20 50 W 10 deg 2K hours	250010240005
Lamp, AR-20 50 W F 25 deg 2K hours	250010240006



MD

ITEM	DESCRIPTION	CATALOG #
1	Screw, 10-24 x 3/8	250013940000
2	Base	-
3	Knuckle Subassembly	KFM050XX*
4	Screw, 1/4-20 x 3/4	250010290000
5	Screw, 8-32 x 1/8	250010320000
6	Body	-
7	Socket Assembly, MR-16	761600
8	Lamp, MR-16	See Lamp Chart, p. 124
9	O-Ring	250010280025
10	Clear Lens	250014720000
11	Shroud	-
12	Straight Shroud	-
5, 9-11	Lens Cap Assembly	MDLCXX*
5, 9-10, 12	Lens Cap Assembly, Straight Shroud	MDLCSSXX*
	Hex Key, 5/64 Long Arm	250010330000

* XX = powder coat color code



PS LED

ITEM	DESCRIPTION	CATALOG #
1	Mounting Bracket	250016650000
2	Screw, 6 x 1.5	250013060000
3	Screw, 6-32	250014810000
4	Housing Bracket	250016640000
5	Body	-
6	Screw, 8-32 x 1/8	250010320000
7	Copper Sleeve	See sleeve Chart
8	Socket, 3-meter	-
9-12	LED Board	See LED Chart
13-15	Reflector	See LED Chart
16-17	Screws	See LED Chart
18-20	Color Filter	See LED Chart
21-23	Beam Angle Lens	See LED Chart
24	O-Ring	250010280030
25	Clear Lens	-
26	Shroud	-
6, 24-26	Lens Cap Assembly	PSLCXX*†
3, 27-29	Hanging Bracket	PSHBXX*
28	Cable Lock	250021820000
29	3/64" Diameter, 24" Length	250021830000

* XX = Powder coat color code for faceplate

† Replace "C" with "F" for frosted lens option

PS LED COPPER SLEEVE

ITEM	DESCRIPTION	CATALOG #
7	Sleeve, Copper	250016680000
7	Sleeve, Copper, Antique Bronze	250016680012
7	Sleeve, Copper, Nickel Plate	250016680013
7	Sleeve, Copper, Antique Tumbled	250016680020

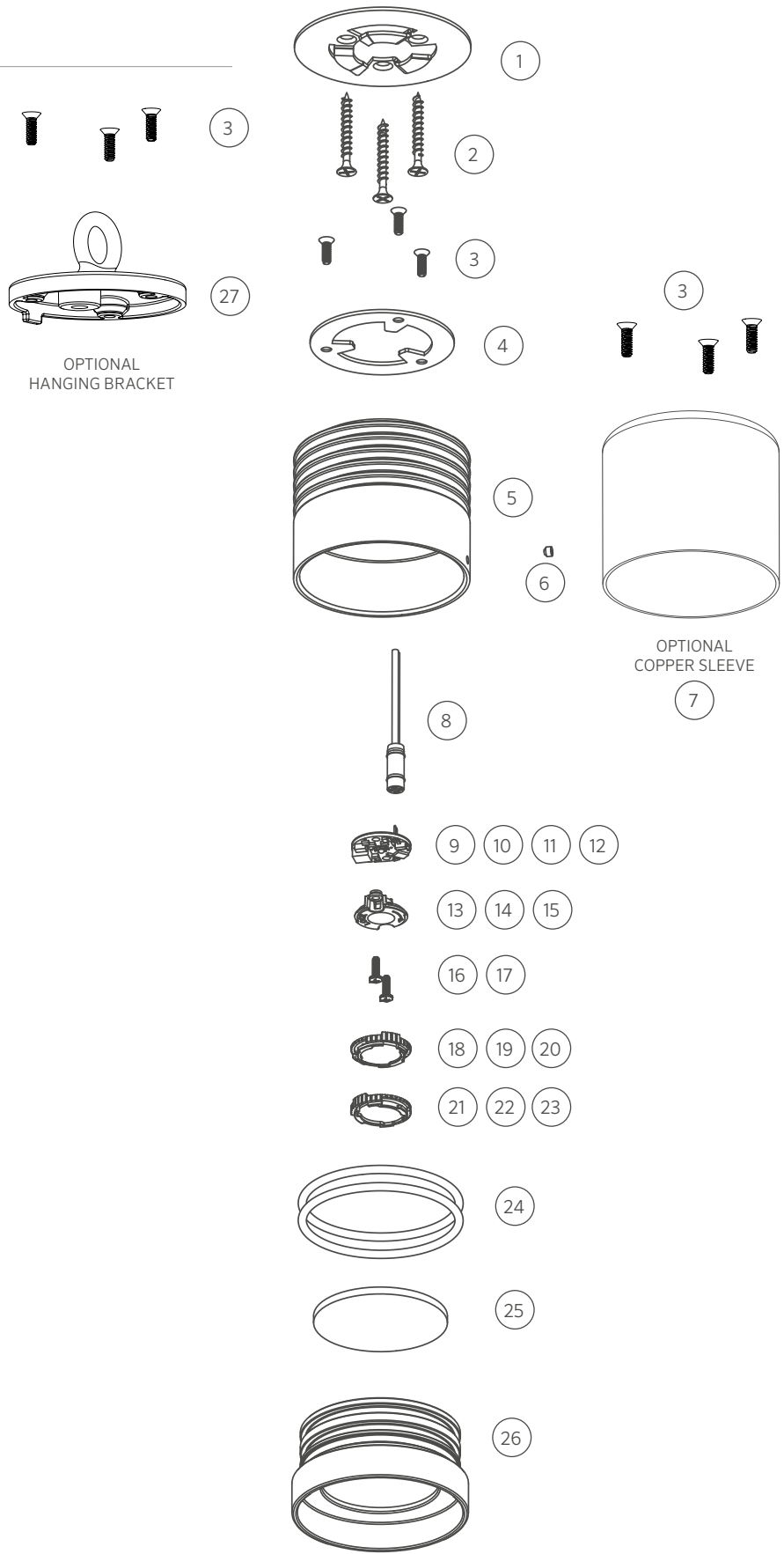
PS LED COMPONENTS

ITEM	DESCRIPTION	CATALOG #
9	1 LED Board	1LEDULKIT‡
10	3 LED Board	3LEDULKIT*
11	6 LED Board	6LEDULKIT‡
12	9 LED Board	9LEDULKIT‡
12	ZDC LED Board	ZDCKITL**
13	1 LED Reflector	770000
14	3 LED Reflector	770700
15	6/9 LED Reflector	771400
15	ZDC LED Reflector	250020690000
16	1/3 LED Screw, 4-40 x 3/8 (Qty Req: 2)	762400
17	6/9 LED Screw, 4-40 x 7/16 (Qty Req: 3)	250014550000
18	1 LED Color Filter, Amber	770100
18	1 LED Color Filter, Blue	770101
18	1 LED Color Filter, Green	770102
19	3 LED Color Filter, Amber	770800
19	3 LED Color Filter, Blue	770801
19	3 LED Color Filter, Green	770802
20	6/9 LED Color Filter, Amber	771500
20	6/9 LED Color Filter, Blue	771501
20	6/9 LED Color Filter, Green	771502
21	1 LED Spot Lens (18°)	770600
21	1 LED Flood Lens (30°-32°)	1LEDFLENS
21	1 LED Wide Flood Lens (56°-58°)	1LEDWFLENS
22	3 LED Spot Lens (18°)	771300
22	3 LED Flood Lens (30°-32°)	3LEDFLENS
22	3 LED Wide Flood Lens (56°-58°)	3LEDWFLENS
23	6/9 LED Spot Lens (18°)	771600
23	6/9 LED Flood Lens (30°-32°)	9LEDFLENS
23	6/9 LED Wide Flood Lens (56°-58°)	9LEDWFLENS

‡ ZD = zoneable and dimmable (add ZD to front of part number)

** ZDC kit includes LED board, reflector (#14), screws (#17), and flood lens diffuser (9LEDFLENS)

PS LED



NL LED

ITEM	DESCRIPTION	CATALOG #
1	Copper Sleeve	See Sleeve Chart
2	Screw, 8-32 x 1/4	250011710000
3	Body	-
4	Mounting Bracket	250016740000
5	Screw, 6 x 1.5	250013060000
6	Screw, 6-32	250014810000
7	Housing Bracket	250016730000
8	Screw, 8-32 x 1/8	250010320000
9	Socket, 3-meter	752601
10-13	LED Board	See LED Chart
14-16	Reflector	See LED Chart
17-18	Screws	see LED Chart
19-21	Color Filter	See LED Chart
22-24	Diffuser	See LED Chart
25	O-Ring	250010280030
26	Clear Lens	250016670000
27	Shroud	-
25-27	Lens Cap Assembly (Clear)	NLLCXX*†

* XX = powder coat color code

† Replace "C" with "F" for frosted lens option

NL LED COPPER COVER

ITEM	DESCRIPTION	CATALOG #
1	Cover, Copper	250016750000
1	Cover, Copper, Antique Bronze	250016750012
1	Cover, Copper, Nickel Plate	250016750013
1	Cover, Copper, Antique Tumbled	250016750020

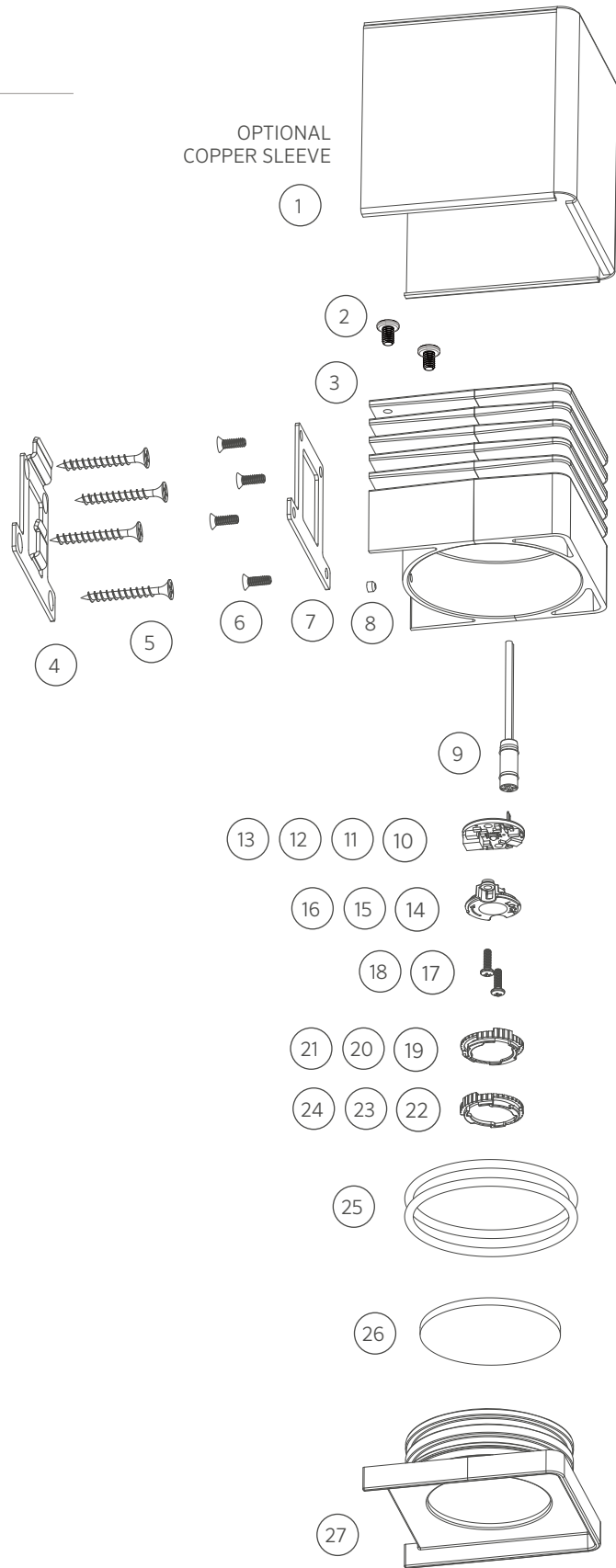
NL LED COMPONENTS

ITEM	DESCRIPTION	CATALOG #
10	1 LED Board	1LEDULKIT‡
11	3 LED Board	3LEDULKIT*
12	6 LED Board	6LEDULKIT‡
13	9 LED Board	9LEDULKIT‡
13	ZDC LED Board	ZDCKITL**
14	1 LED Reflector	770000
15	3 LED Reflector	770700
16	6/9 LED Reflector	771400
16	ZDC LED Reflector	250020690000
17	1/3 LED Screw, 4-40 x 3/8 (Qty: 2)	762400
18	6/9 LED Screw, 4-40 x 7/16 (Qty: 3)	250014550000
19	1 LED Color Filter, Amber	770100
19	1 LED Color Filter, Blue	770101
19	1 LED Color Filter, Green	770102
20	3 LED Color Filter, Amber	770800
20	3 LED Color Filter, Blue	770801
20	3 LED Color Filter, Green	770802
21	6/9 LED Color Filter, Amber	771500
21	6/9 LED Color Filter, Blue	771501
21	6/9 LED Color Filter, Green	771502
22	1 LED Diffuser	770600
22	1 LED Flood Lens (30°-32°)	1LEDFLENS
22	1 LED Wide Flood Lens (56°-58°)	1LEDWFLENS
23	3 LED Diffuser	771300
23	3 LED Flood Lens (30°-32°)	3LEDFLENS
23	3 LED Wide Flood Lens (56°-58°)	3LEDWFLENS
24	6/9 LED Diffuser	771600
24	6/9 LED Flood Lens (30°-32°)	9LEDFLENS
24	6/9 LED Wide Flood Lens (56°-58°)	9LEDWFLENS

‡ ZD = zoneable and dimmable (add ZD to front of part number)

** ZDC kit includes LED board, reflector (#16), screws (#18), and flood lens diffuser (9LEDWFLENS)

NL LED



DE LED

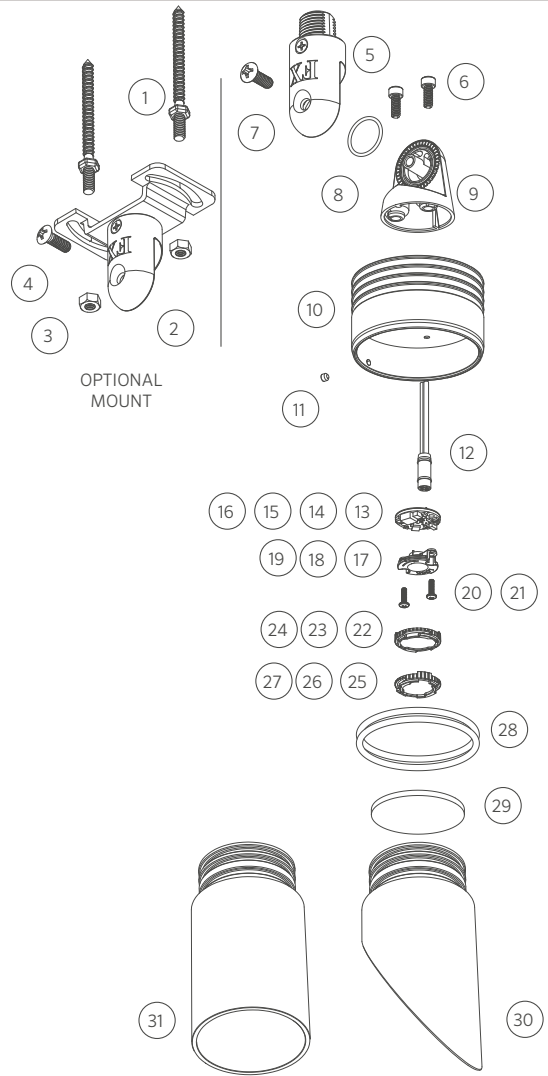
ITEM	DESCRIPTION	CATALOG #
1	Wood Screws	250015270000
2	Optional Wall Mount	-
3	Hex Nut	250015310000
4	Screw, 1/4-20 x 3/4	250010290000
5	Knuckle Subassembly	KFM050XX*
6	Screw, 10-24 x 3/8	250013940000
7	Screw, 1/4-20 x 3/4	250010290000
8	O-Ring	250010280002
9	Base	-
10	Body	-
11	Screw, 8-32 x 1/8	250010320000
12	Socket, 8-meter	-
13-16	LED Board	See LED Chart
17-19	Reflector	See LED Chart
20-21	Screw, 4-40	See LED Chart
22-24	Color Filter	See LED Chart
25-27	Diffuser	See LED Chart
28	O-Ring	250010280029
29	Lens	-
30	Shroud	-
11, 29-30	Lens Cap Assembly	DELCSXX**†
11, 29, 31	Lens Cap Assembly, Straight	DELCSXX**†
1-3	Wall Mount Kit	WMXX*
	Hex Key, 5/64 Long Arm	250010330000

* XX = powder coat color code

† Replace "C" with "F" for frosted lens option

DE LED COMPONENTS

ITEM	DESCRIPTION	CATALOG #
13	1 LED Board	1LEDULKIT†
14	3 LED Board	3LEDULKIT*
15	6 LED Board	6LEDULKIT†
16	9 LED Board	9LEDULKIT†
16	ZDC LED Board	ZDCKITL**
17	1 LED Reflector	770000
18	3 LED Reflector	770700
19	6/9 LED Reflector	771400
16	ZDC LED Reflector	250020690000
20	1/3 LED Screw, 4-40 x 3/8 (Qty Req: 2)	762400
21	6/9 LED Screw, 4-40 x 7/16 (Qty Req: 3)	250014550000
22	1 LED Color Filter, Amber	770100
22	1 LED Color Filter, Blue	770101



ITEM	DESCRIPTION	CATALOG #
22	1 LED Color Filter, Green	770102
23	3 LED Color Filter, Amber	770800
23	3 LED Color Filter, Blue	770801
23	3 LED Color Filter, Green	770802
24	6/9 LED Color Filter, Amber	771500
24	6/9 LED Color Filter, Blue	771501
24	6/9 LED Color Filter, Green	771502
25	1 LED Spot Lens (18°)	770600
25	1 LED Flood Lens (30°-32°)	1LEDFLENS
25	1 LED Wide Flood Lens (56°-58°)	1LEDWFLENS
26	3 LED Spot Lens (18°)	771300
26	3 LED Flood Lens (30°-32°)	3LEDFLENS
26	3 LED Wide Flood Lens (56°-58°)	3LEDWFLENS
27	6/9 LED Spot Lens (18°)	771600
27	6/9 LED Flood Lens (30°-32°)	9LEDFLENS
27	6/9 LED Wide Flood Lens (56°-58°)	9LEDWFLENS

† ZD = zoneable and dimmable (add ZD to front of part number)

** ZDC kit includes LED board, reflector (#19), screws (#21), and flood lens diffuser (9LEDFLENS)

JB LED

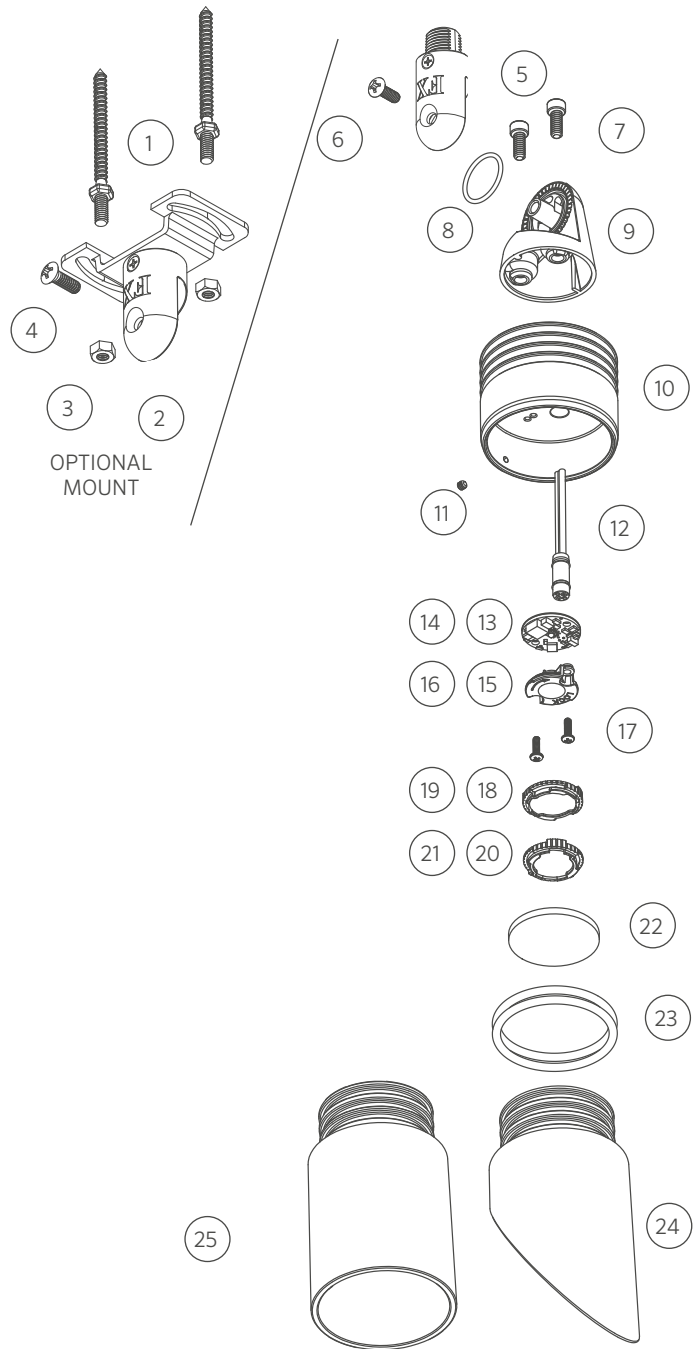
ITEM	DESCRIPTION	CATALOG #
1	Wood Screws	250015270000
2	Optional Wall Mount	-
3	Hex Nut	250015310000
4	Screw, 1/4-20 x 3/4	250010290000
5	Knuckle Subassembly	KFM050XX*
6	Screw, 1/4-20 x 3/4	250010290000
7	Screw, 10-24 x 3/8	250013940000
8	O-Ring	250010280002
9	Base	-
10	Body	-
11	Screw, 6-32 x 1/8	250012930000
12	Socket, 8-meter	-
13-14	LED Board	See LED Chart
15-16	Reflector	See LED Chart
17	Screw	See LED Chart
18-19	Color Filter	See LED Chart
20-21	Diffuser	See LED Chart
22	Clear Lens	
23	O-Ring	250010280006
24	Shroud	-
1-3	Wall Mount Kit	WMXX*
11, 22-24	Lens Cap Assembly	JBLCXX**†
11, 22-23, 25	Lens Cap Assembly, Straight	JBLCSSXX*
	Hex Key, 1/16 Long Arm	250012950000

* XX = powder coat color code

† Replace "C" with "F" for frosted lens option

JB LED COMPONENTS

ITEM	DESCRIPTION	CATALOG #
13	1 LED Board	1LEDULKIT*
14	3 LED Board	3LEDULKIT*
14	ZDC LED Board	ZDCKITM**
15	1 LED Reflector	770000
16	3 LED Reflector	770700
16	ZDC LED Reflector	250020690000
17	1/3 LED Screw, 4-40 x 3/8 (Qty Req: 2)	762400
18	1 LED Color Filter, Amber	770100
18	1 LED Color Filter, Blue	770101
18	1 LED Color Filter, Green	770102

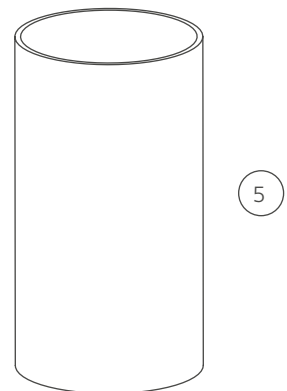
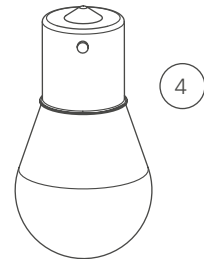
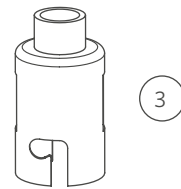
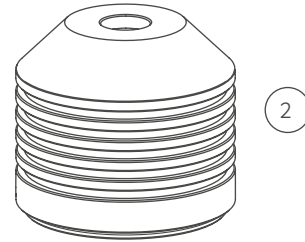
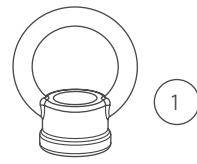


ITEM	DESCRIPTION	CATALOG #
19	3 LED Color Filter, Amber	770800
19	3 LED Color Filter, Blue	770801
19	3 LED Color Filter, Green	770802
20	1 LED Spot Lens (18°)	770600
20	1 LED Flood Lens (30°-32°)	1LEDFLLENS
20	1 LED Wide Flood Lens (56°-58°)	1LEDWFLLENS
21	3 LED Spot Lens (18°)	771300
21	3 LED Flood Lens (30°-32°)	3LEDFLLENS
21	3 LED Wide Flood Lens (56°-58°)	3LEDWFLLENS

* ZD = zoneable and dimmable (add ZD to front of part number)

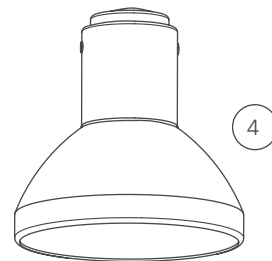
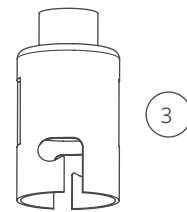
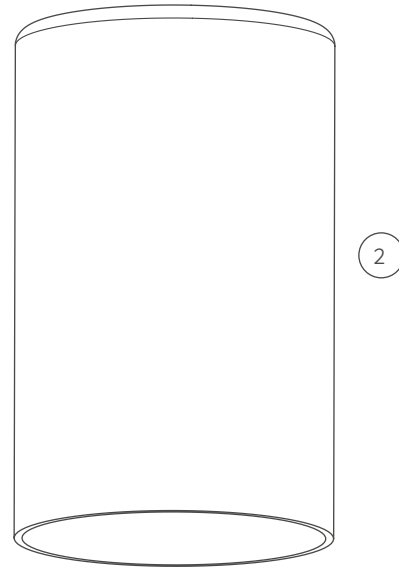
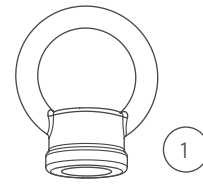
LS

ITEM	DESCRIPTION	CATALOG #
1	Brass Loop	-
2	Brass Top	-
3	Socket	250012800000
4	Lamp	250010510000
5	Copper Shroud	-
6	Screw	250011500000
	Hex Key, ⁵ / ₆₄ Long Arm	250010330000



VL LED

ITEM	DESCRIPTION	CATALOG #
1	Brass Loop	-
2	Copper Can	-
3	Socket	250012890000
4	Lamp	250010240000



VE LED

ITEM	DESCRIPTION	CATALOG #
1	Body	-
2	Screw, 8-32 x 1/8 Lg.	250012760000
3	Connector, Overmolded	-
4-5	LED Board	See LED Chart
6-7	Reflector	See LED Chart
8	Screw, 4-40 x 3/8 Lg	762400
9-10	Filter, Color	See LED Chart
11-12	Diffuser	See LED Chart
13	O-Ring, Silicone	250010280006
14	Lens, Frosted	-
15	Shroud	-
16	Screw, 8-32 x 1/4 Lg	250011710000
17	Short Sleeves	See Chart
18	Perforated Sleeves	See Chart
2, 13-15	Lens Cap Assembly	VELCXX

*XX = finish code

VE LED COMPONENTS

ITEM	DESCRIPTION	CATALOG #
4	1 LED Board	1LEDULKIT [‡]
5	3 LED Board	3LEDULKIT [‡]
6	1 LED Reflector	770000
7	3 LED Reflector	770700
9	1 LED Color Filter: Amber	770100
	Blue	770101
	Green	770102
10	3 LED Color Filter: Amber	770800
	Blue	770801
	Green	770802
11	1 LED Diffuser	770600
12	3 LED Diffuser	771300

[‡] ZD = zoneable and dimmable (add ZD to front of part number)

SHORT SLEEVES[†]

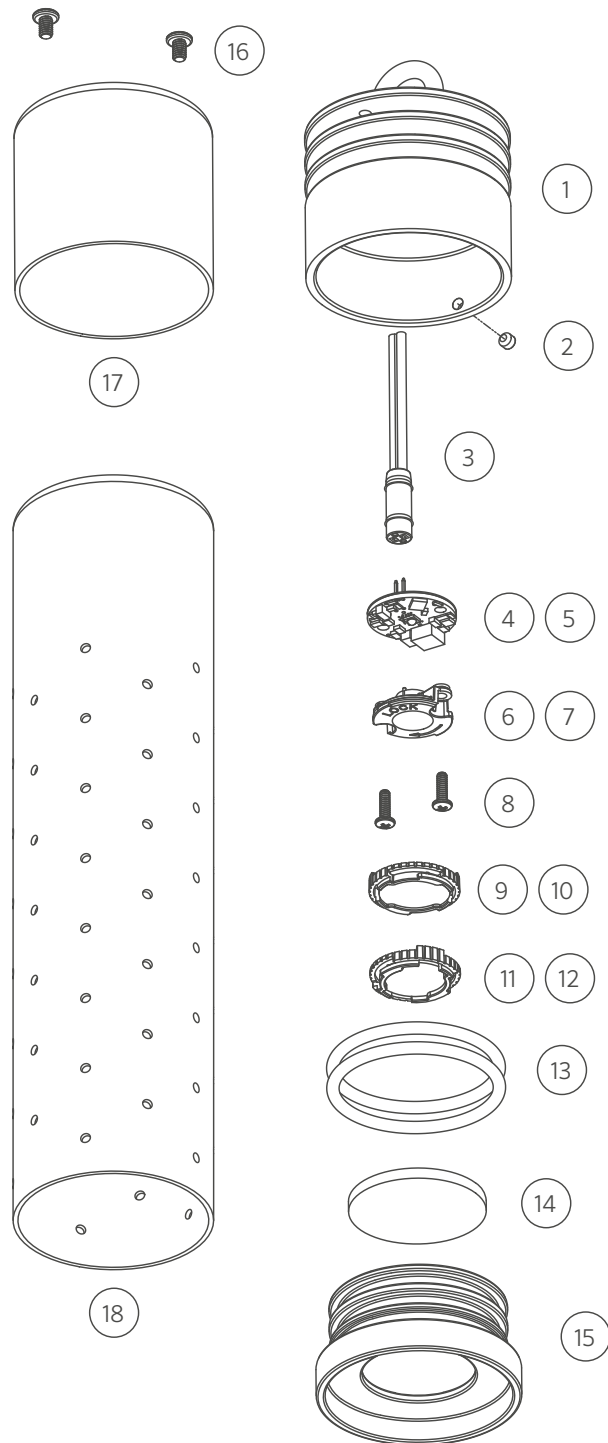
ITEM	DESCRIPTION	CATALOG #
17	Copper	250020500000
17	Antique Bronze	250020500012
17	Nickel Plate	250020500013
17	Antique Tumbled	250020500020

PERFORATED SLEEVES[†]

ITEM	DESCRIPTION	CATALOG #
18	Copper	250020210000
18	Bronze Metallic	250020210001
18	Verde Speckle	250020210003
18	Desert Granite	250020210006
18	Sedona Brown	250020210007
18	Weathered Iron	250020210009
18	Antique Bronze	250020210012
18	Nickel Plate	250020210013
18	Flat Black	250020210014
18	Flat White	250020210015
18	White Gloss	250020210016
18	Almond	250020210019
18	Antique Tumbled	250020210020
18	Silver	250020210021

[†] The sleeve fastening screws (#16) are not included with each sleeve part number and must be ordered separately.

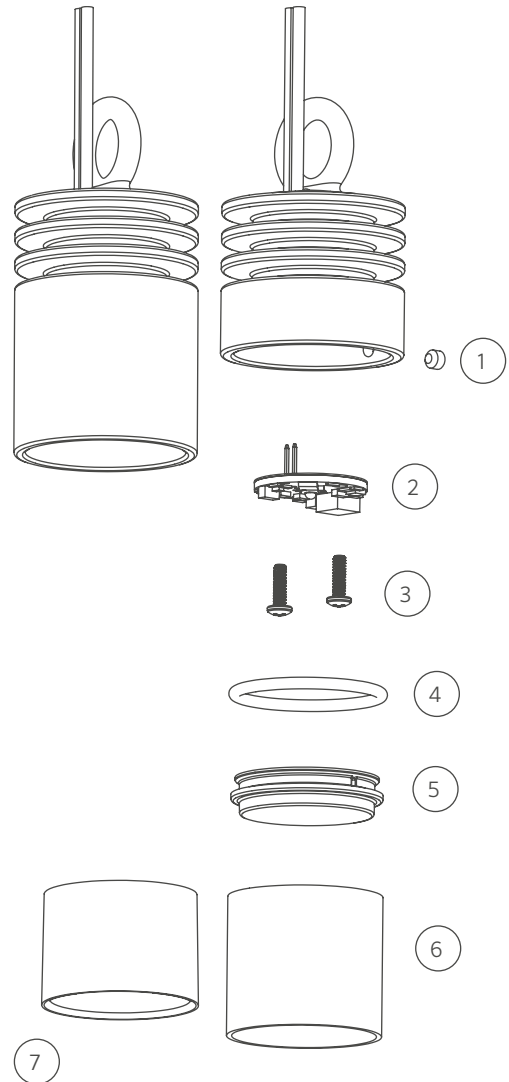
VE LED



LE LED

ITEM	DESCRIPTION	CATALOG #
1	Screw, 8-32 x 1/8	250010320000
2	LED Board	1LEDULKIT [‡]
3	Screw, 4-40 x 3/8	762400
4	O-Ring	250010280026
5	Lens: Amber Lens	250015650001
	Clear Lens	250015650000
	Blue Lens	250015650002
	Green Lens	250015650003
6	Copper Shroud	-
7	Reflector	250015680000
	Hex Key, 5/64 Long Arm	250010330000
	Cable, Lock	250016310000
	Cable, 3/64	250019510000

[‡] ZD = zoneable and dimmable (add ZD to front of part number)

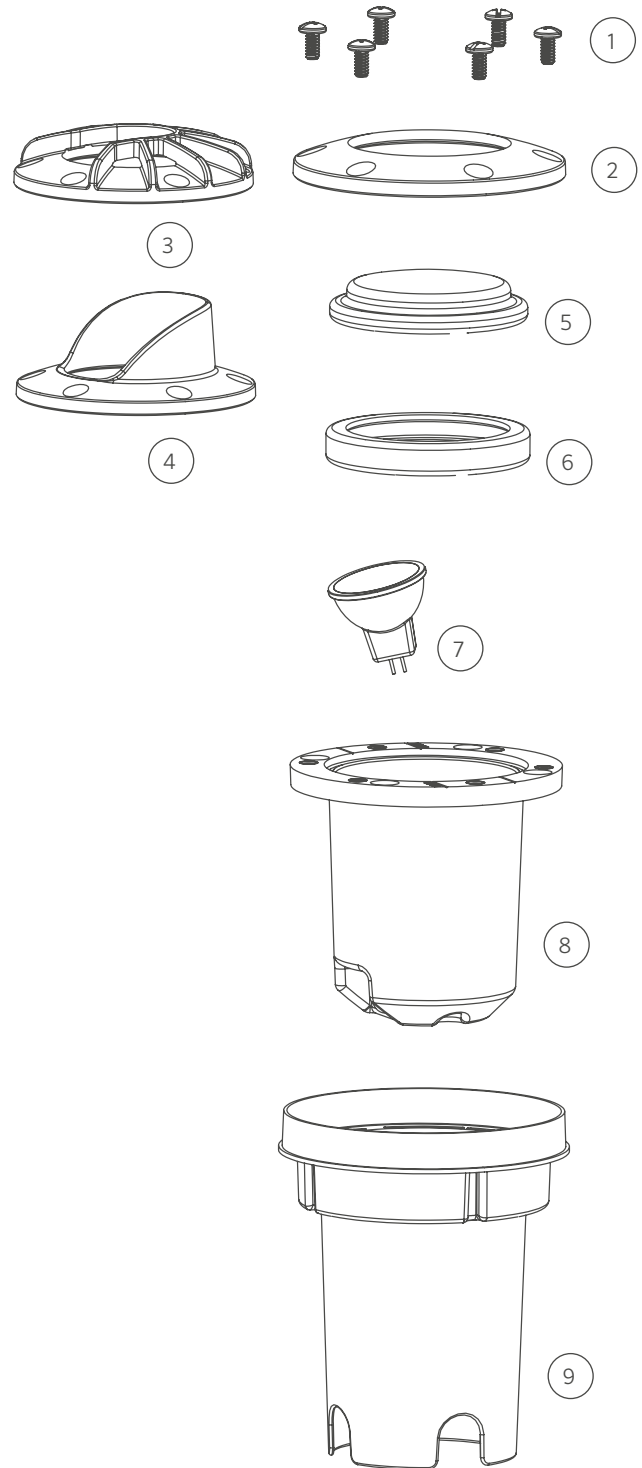


IN GROUND LIGHTS

FC

ITEM	DESCRIPTION	CATALOG #
1	Screw, 10-24 x 3/8	250015870000
Faceplate Option:		
2	Brass Ring	FCFPRGXX*
	Camo Bronze Ring	250014330000
3	Brass Louver	FCFPLVXX*
	Camo Bronze Louver	250014320000
4	Brass Cowling	FCFPCWXX*
	Camo Bronze Cowling	250014310000
5	Lens (Clear/Frosted)	250014240000 / 250014240001
6	Lens Seal	250014250000
7	Lamp, MR-16	See Lamp Chart, p.124
8	Inner Housing	-
9	Outer Housing	250014260000

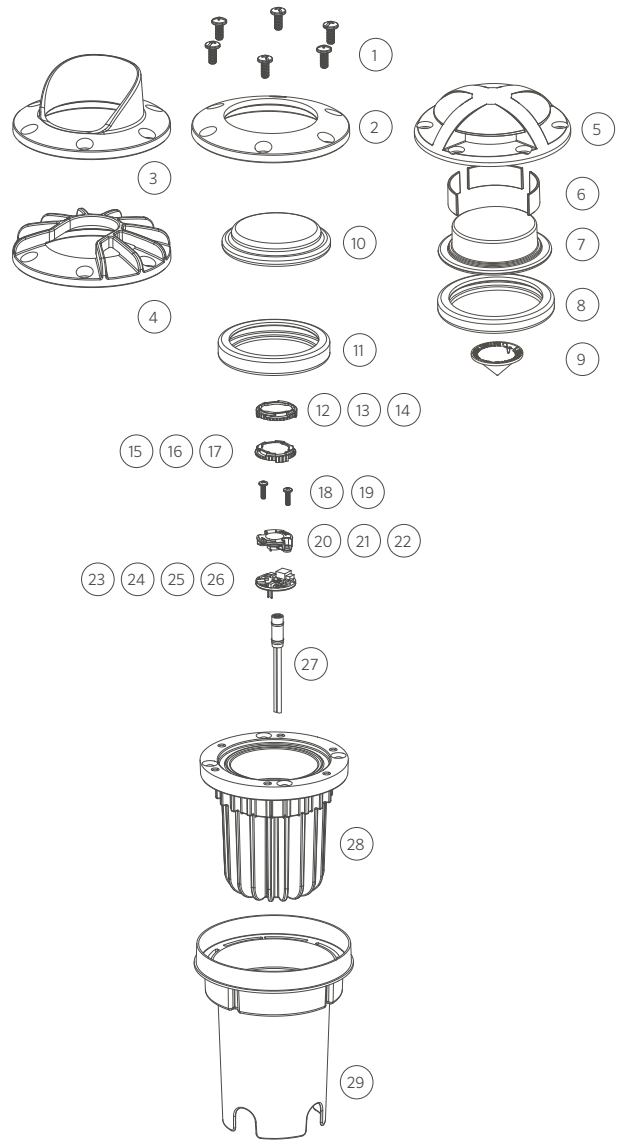
* XX = finish code



FC LED

ITEM	DESCRIPTION	CATALOG #
1	Screw, 10-24 x 7/16	250019470000
Faceplate Option:		
2	Ring	FCFPRGXX*
3	Cowling	FCFPCWXX*
4	Louver	FCFPLVXX*
5	Ground Wash	FCFPGW-ZZZ-XX*
6	FC Light Shroud	250021980000
7	Ground Wash Lens	250021960000
8	Black Silicone Seal	250021970000
9	Upper Reflector	771000
10	Glass Lens (Frosted)	250014240000 (250014240001)
11	Lens Seal	250014250000
12-14	Beam Angle Lenses	See LED Chart
15-17	Color Filter	See LED Chart
18, 19	Screw, 4-40	See LED Chart
20-22	Reflector	See LED Chart
23-26	LED Board	See LED Chart
27	Socket, 3-meter	-
28	Housing	-
29	Outer Housing	250014260000

* XX = powder coat color code



FC LED COMPONENTS

ITEM	DESCRIPTION	CATALOG #
17	1 LED Board	1LEDULKIT [†]
18	3 LED Board	3LEDULKIT*
19	6 LED Board	6LEDULKIT [†]
20	9 LED Board	9LEDULKIT [†]
20	ZDC LED Board	ZDCKITL**
21	1 LED Reflector	770000
22	3 LED Reflector	770700
23	6/9 LED Reflector	771400
23	ZDC LED Reflector	250020690000
24	1/3 LED Screw, 4-40 x 3/8 (Qty: 2)	762400
25	6/9 LED Screw, 4-40 x 7/16 (Qty: 3)	250014550000
26	1 LED Color Filter, Amber	770100
26	1 LED Color Filter, Blue	770101

26	1 LED Color Filter, Green	770102
27	3 LED Color Filter, Amber	770800
27	3 LED Color Filter, Blue	770801
27	3 LED Color Filter, Green	770802
28	6/9 LED Color Filter, Amber	771500
28	6/9 LED Color Filter, Blue	771501
28	6/9 LED Color Filter, Green	771502
29	1 LED Spot Lens (18°)	770600
29	1 LED Flood Lens (30°-32°)	1LEDFLENS
29	1 LED Wide Flood Lens (56°-58°)	1LEDWFLENS
29	3 LED Spot Lens (18°)	771300
29	3 LED Flood Lens (30°-32°)	3LEDFLENS
29	3 LED Wide Flood Lens (56°-58°)	3LEDWFLENS
29	6/9 LED Spot Lens (18°)	771600

[†] ZD = zoneable and dimmable (add ZD to front of part number)

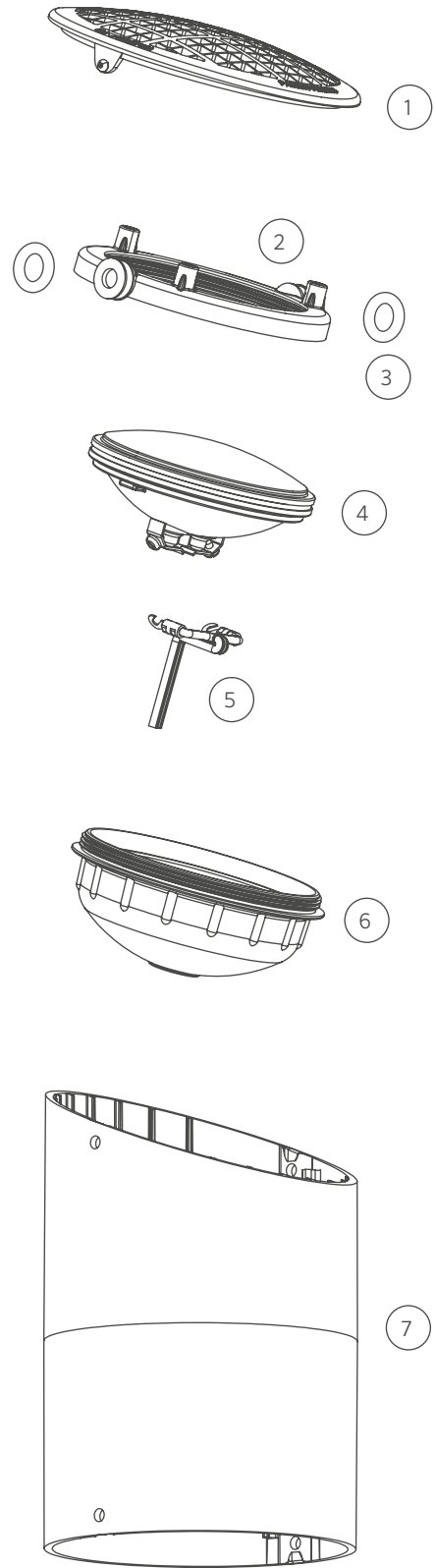
** ZDC kit includes LED board, reflector (#17), screws (#20), and flood lens diffuser (9LEDFLENS)

CF

ITEM	DESCRIPTION	CATALOG #
1	Grid Cover	
	Camo Bronze	250011640000
	Desert Tan	250011640100
2	Bezel	250011660000
3	O-Ring	250010280007
4	Lamp, PAR 36	See Lamp Chart
5	Cable	250011670000
6	Base	250011650000
7	Tube	
	Camo Bronze	250011630000
	Desert Tan	250011630100
	Blue Filter	250014880000

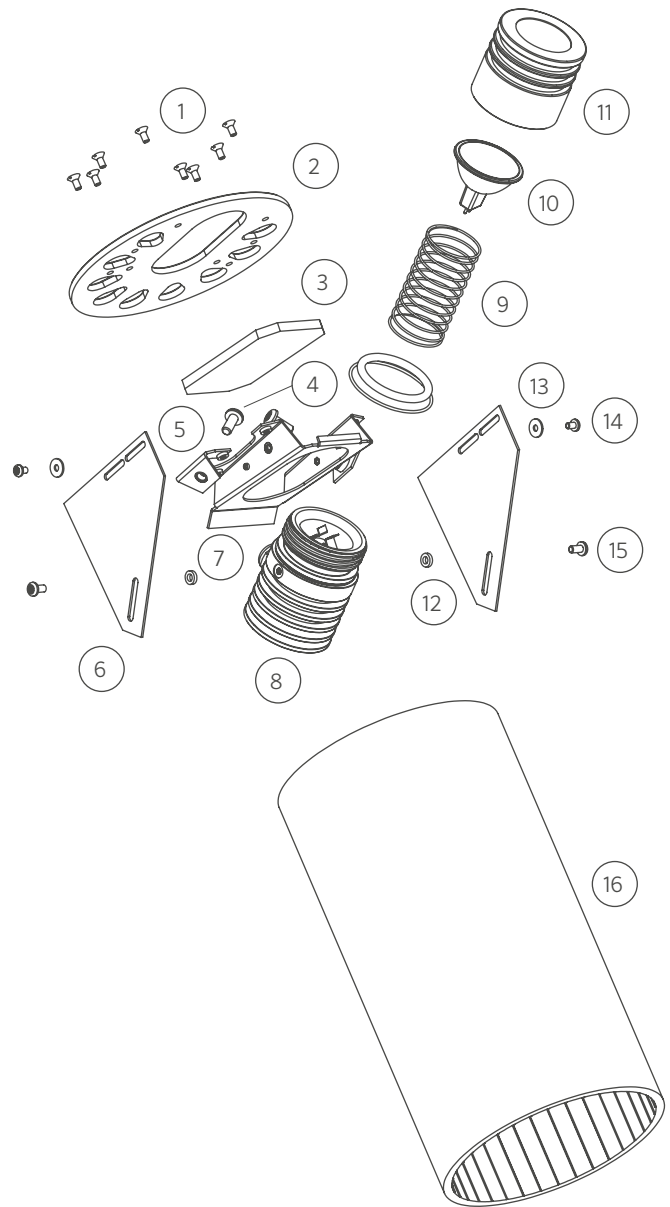
LAMP Chart

DESCRIPTION	CATALOG #
PAR36-20H-4K	250010500000
PAR36-35H-4K	250010500001



TE

ITEM	DESCRIPTION	CATALOG #
1	Screw, 8-32 x 3/8	250011770000
2	Faceplate: Brass	250010150000
	Faceplate: Nickel Plate	250010150013
3	Lens	-
4	Screw, 8-32 x 1/4	250011710017
5	Clip	250013970017
6	Bracket	250013960017
7	Lens Holder	-
8	Base	-
9	Spring	-
10	Lamp, Halogen, MR-16	See Lamp Chart, p. 124
11	Shroud	-
12	Washer	250014210000
13	O-Ring	250010280020
14	Screw, 8-32 x 1/4	250011710000
15	Screw, 10-32 x 3/8	250011750017
16	Tube	250011630000
3, 7	TE Lens Assembly	TELA

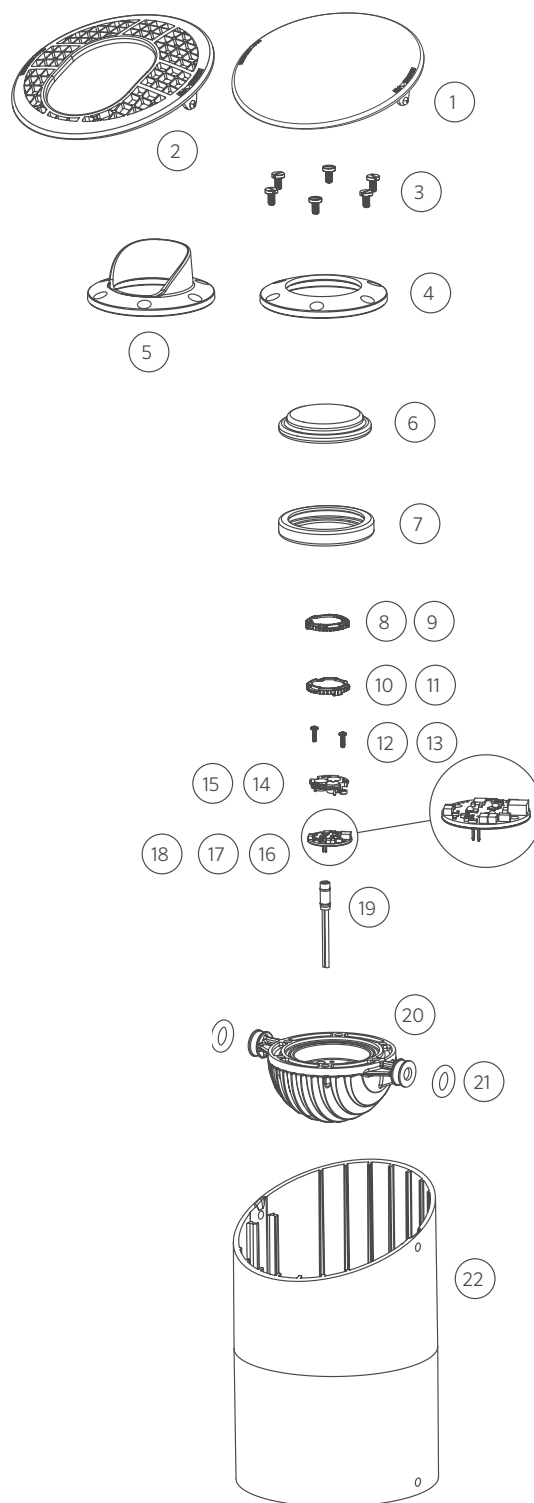


PE LED

ITEM	DESCRIPTION	CATALOG #
1	Clear Cover	250019030000
2	Grid	760700
3	Screw, 10-24 x 3/8	250015870000
4	Ring	250014330000
5	Cowling Optional	250014310000
6	Lens, Glass (Frosted)	250014240000 (250014240001)
7	Seal	250014250000
8-9	Beam Angle Lens	See LED Chart
10-11	Color Filter	See LED Chart
12-13	Screw, 4-40	See LED Chart
14-15	Reflector	See LED Chart
16-18	LED Board	See LED Chart
19	Socket, 3-meter	-
20	PE Housing	-
21	O-Ring	250010280007
22	Tube	250011630000
3-21	Replacement module, Ring	PE-Z-LED-RG-KIT
3-21	Replacement module, Cowling	PE-Z-LED-CW-KIT

PE LED COMPONENTS

ITEM	DESCRIPTION	CATALOG #
8	3 LED Spot Lens (18°)	771300
8	3 LED Flood Lens (30°-32°)	3LEDFLENS
8	3 LED Wide Flood Lens (56°-58°)	3LEDWFLENS
9	6/9 LED Spot Lens (18°)	771600
9	6/9 LED Flood Lens (30°-32°)	9LEDFLENS
9	6/9 LED Wide Flood Lens (56°-58°)	9LEDWFLENS
10	3 LED Color Filter, Amber	770800
10	3 LED Color Filter, Blue	770801
10	3 LED Color Filter, Green	770802
11	6/9 LED Color Filter, Amber	771500
11	6/9 LED Color Filter, Blue	771501
11	6/9 LED Color Filter, Green	771502
12	3 LED Screw, 4-40 x 3/8 (Qty: 2)	762400
13	6/9 LED Screw, 4-40 x 7/16 (Qty: 3)	250014550000
14	3 LED Reflector	770700
15	6/9 LED Reflector	771400
15	ZDC LED Reflector	250020690000



ITEM	DESCRIPTION	CATALOG #
16	3 LED Board	3LEDULKIT*
17	6 LED Board	6LEDULKIT†
18	9 LED Board	9LEDULKIT†
18	ZDC LED Board	ZDCKITL**

† ZD = zoneable and dimmable (add ZD to front of part number)
 ** ZDC kit includes LED board, reflector (#14), screws (#13), and flood lens diffuser (9LEDFLENS)

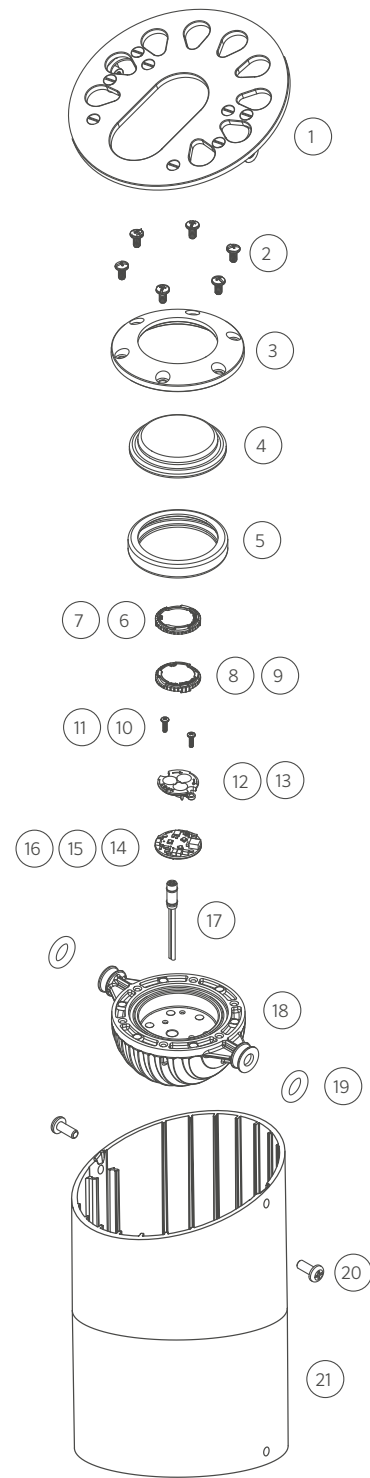
KG LED

ITEM	DESCRIPTION	CATALOG #
1	Faceplate Assembly	KGFPXX*
2	Screws, 10-24 x 3/8	250011710000
3	Ring	250014330000
4	Glass Lens (Frosted)	250014240000 (250014240001)
5	Seal	250014170000
6-7	Beam Angle Lens	See LED Chart
8-9	Color Filter	See LED Chart
10-11	Screw	See LED Chart
12-13	Reflector	See LED Chart
14-16	LED Board	See LED Chart
17	Socket	-
18	Housing	-
19	O-Ring	250010280007
20	Screw, 10-24 x 5/8	250011690017
21	Tube	250013980000
2-19	Replacement module, Ring	PE-Z-LED-RG-KIT

*XX = powder coat color code

KG LED COMPONENTS

ITEM	DESCRIPTION	CATALOG #
6	3 LED Diffuser	771300
6	3 LED Flood Lens (30°-32°)	3LEDFLENS
6	3 LED Wide Flood Lens (56°-58°)	3LEDWFLENS
7	6/9 LED Diffuser	771600
7	6/9 LED Flood Lens (30°-32°)	9LEDFLENS
7	6/9 LED Wide Flood Lens (56°-58°)	9LEDWFLENS
8	3 LED Color Filter, Amber	770800
8	3 LED Color Filter, Blue	770801
8	3 LED Color Filter, Green	770802
9	6/9 LED Color Filter, Amber	771500
9	6/9 LED Color Filter, Blue	771501
9	6/9 LED Color Filter, Green	771502
10	3 LED Screw, 4-40 x 3/8 (Qty Req: 2)	762400
11	6/9 LED Screw, 4-40 x 7/16 (Qty Req: 3)	250014550000
12	3 LED Reflector	770700
13	6/9 LED Reflector	771400
13	ZDC LED Reflector	250020690000



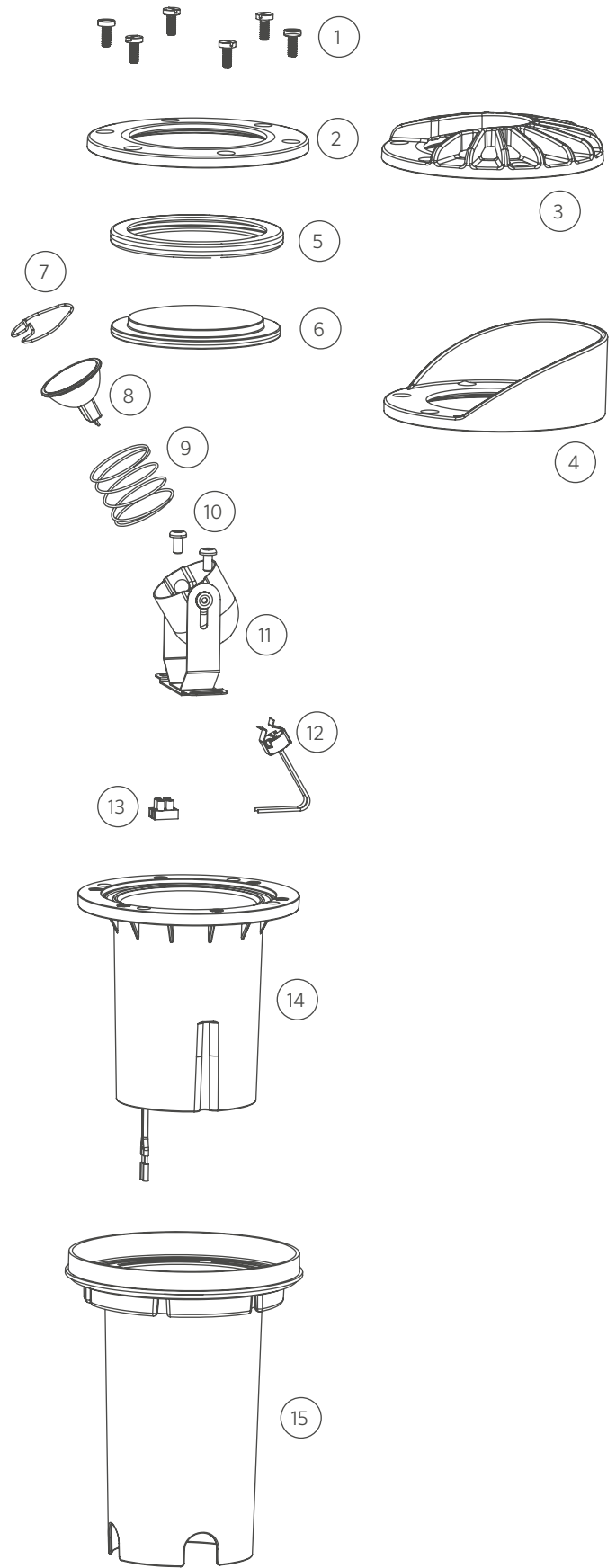
14	3 LED Board	3LEDULKIT*
15	6 LED Board	6LEDULKIT†
16	9 LED Board	9LEDULKIT‡
16	ZDC LED Board	ZDCKITL**

‡ ZD = zoneable and dimmable (add ZD to front of part number)
 ** ZDC kit includes LED board, reflector (#12), screws (#11), and flood lens diffuser (9LEDFLENS)

RP

ITEM	DESCRIPTION	CATALOG #
1	Screw, 1/4-20 x 5/8	250014380000
Faceplate Options		
2	Ring	RPRGXX*
3	Cowling	RPCWXX*
4	Louver	RPLVXX*
5	Seal	-
6	Lens	-
7	Spring, Clip	250014200000
8	Lamp, MR-16	See Lamp Chart, p. 124
9	Spring	250014440000
10	Screw	250014430000
11	Lamp Housing Assembly	250014370000
12	Socket	-
13	Terminal Block	-
14	Inner Housing	-
15	Outer Housing	250014350000
5-6	RP Lens Assembly	RPLA

*XX = finish code



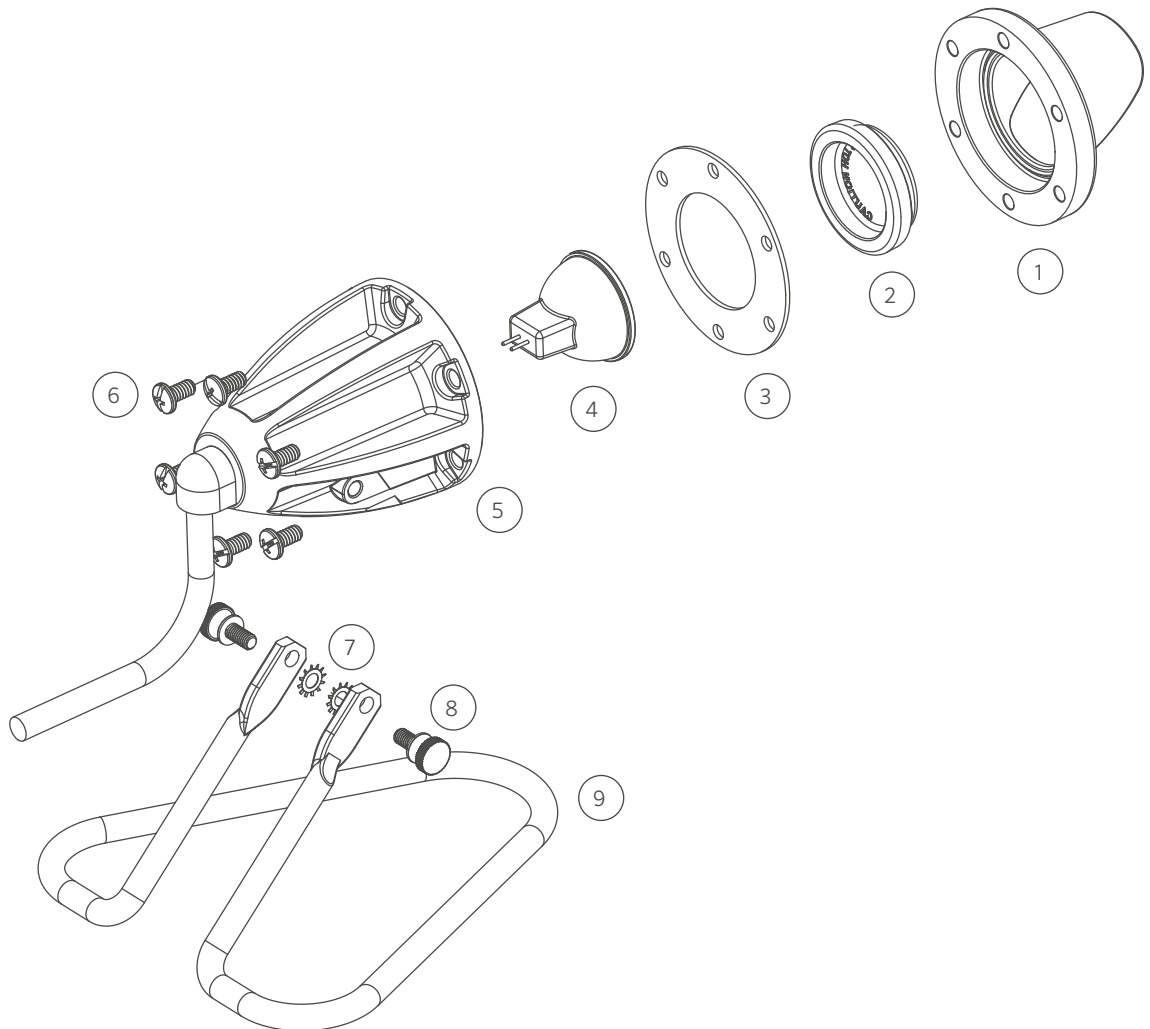
UNDERWATER LIGHTS

SM

ITEM	DESCRIPTION	CATALOG #
1	Faceplate	-
2	Glass Lens	-
3	Gasket	-
4	Lamp, AR-11	See Lamp Chart
5	Body	-
6	Screw	-
7	Washer	-
8	Brass Thumb Screw	-
9	Base	-

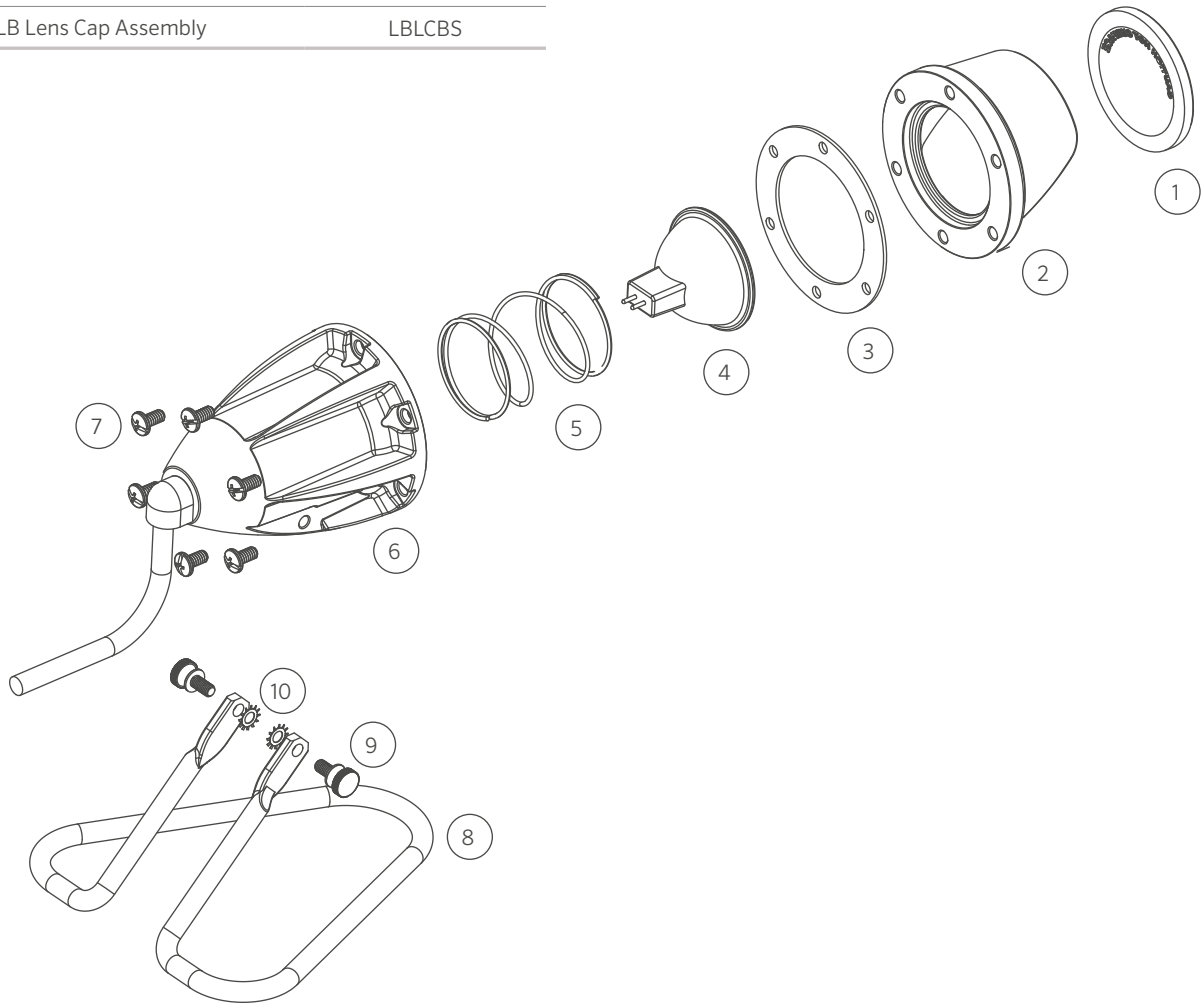
LAMP Chart

DESCRIPTION	CATALOG #
Lamp, AR-11, 20W, F, 18°, 2,000 Hrs	250010240001
Lamp, AR-11, 20W, F, 32°, 2,000 Hrs	250010240002
Lamp, AR-11, 35W, 10°, 2,000 Hrs	250010240003
Lamp, AR-11, 35W, 30°, 2,000 Hrs	250010240004



LB

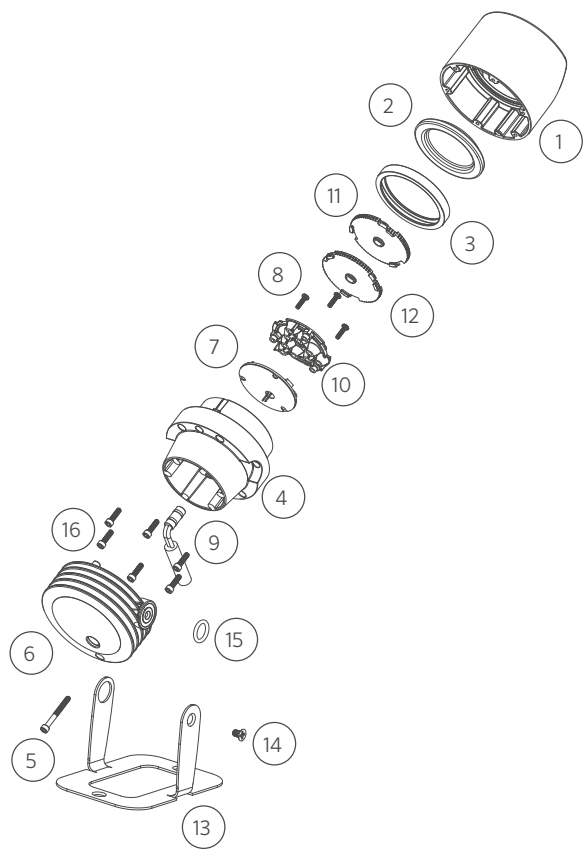
ITEM	DESCRIPTION	CATALOG #
1	Clear Lens	-
2	Faceplate	-
3	Gasket	250010990000
4	Lamp, MR-16	See Lamp Chart, p. 124
5	Spring	250011000000
6	Housing	-
7	Screw, 10-24 x 3/8	250015870000
8	Stand	250010880000
9	Thumb Screw, 10-24	250010900000
10	Washer	250010930000
1-2	LB Lens Cap Assembly	LBLCBS



LL LED

ITEM	DESCRIPTION	CATALOG #
1	Shroud, LL	250025450000
2	Lens, Diameter 2.35", Clear	250025510000
	Lens, Diameter 2.35", Clear Frosted	250025510001
3	Gasket, Silicone	250025470000
4	Body, LL	
5	Screw, SH, 6-32 x 1 1/4", SST	250025500000
6	Back Cap	250025440000
7	LED Board	See LED Chart
8	4-40 x 7/16 Phil Pan M/SST	See LED Chart
9	Connector, STOW, Overmold, 30'	--
10	Reflector, 6x/9x, G2	See LED Chart
11	Filter, Color, 6x/9x, G2, Amber	See LED Chart
12	Diffuser, 6/9x, G2	See LED Chart
13	Stand, SST	250025480000
14	Screw, FH, 10-24 x 5/16", SST	250026750000
15	O-Ring, Silicone, Orange, -112	250010280044
16	Screw, SH, 6-32 x 1/2" LG, SST	250010690000

† Replace "C" with "F" for frosted lens option



LL LED COMPONENTS

ITEM	DESCRIPTION	CATALOG #
4	1 LED Spot Lens (18°)	770600
5	3 LED Spot Lens (18°)	771300
6	6/9 LED Spot Lens (18°)	771600
7	1 LED Color Filter, Amber	770100
7	1 LED Color Filter, Blue	770101
7	1 LED Color Filter, Green	770102
8	3 LED Color Filter, Amber	770800
8	3 LED Color Filter, Blue	770801
8	3 LED Color Filter, Green	770802
9	6/9 LED Color Filter, Amber	771500
9	6/9 LED Color Filter, Blue	771501
9	6/9 LED Color Filter, Green	771502
10	1/3 LED Screw, 4-40 x 3/8 (Qty: 2)	762400
11	6/9 LED Screw, 4-40 x 7/16 (Qty: 3)	250014550000
12	1 LED Reflector	770000
13	3 LED Reflector	770700
14	6/9 LED Reflector	771400
14	ZDC LED Reflector	250020690000
15	1 LED Board	1LEDULKIT†
16	3 LED Board	3LEDULKIT*
17	6 LED Board	6LEDULKIT†
18	9 LED Board	9LEDULKIT†
18	ZDC LED Board	ZDCKITL**

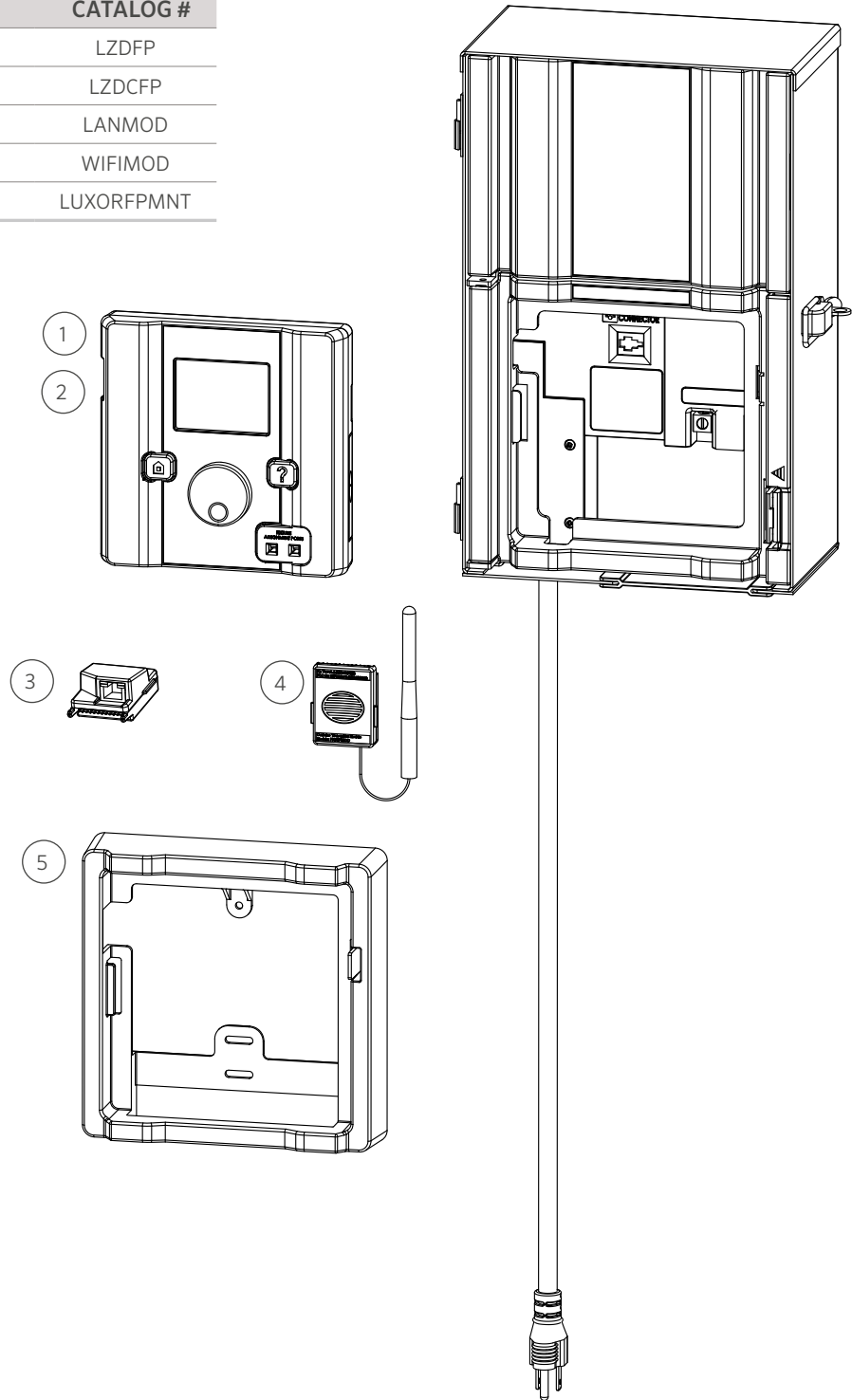
† ZD = zoneable and dimmable (add ZD to front of part number)

** ZDC kit includes LED board, reflector (#14), screws (#11), and flood lens diffuser (9LEDFLENS)

POWER CONTROLLERS

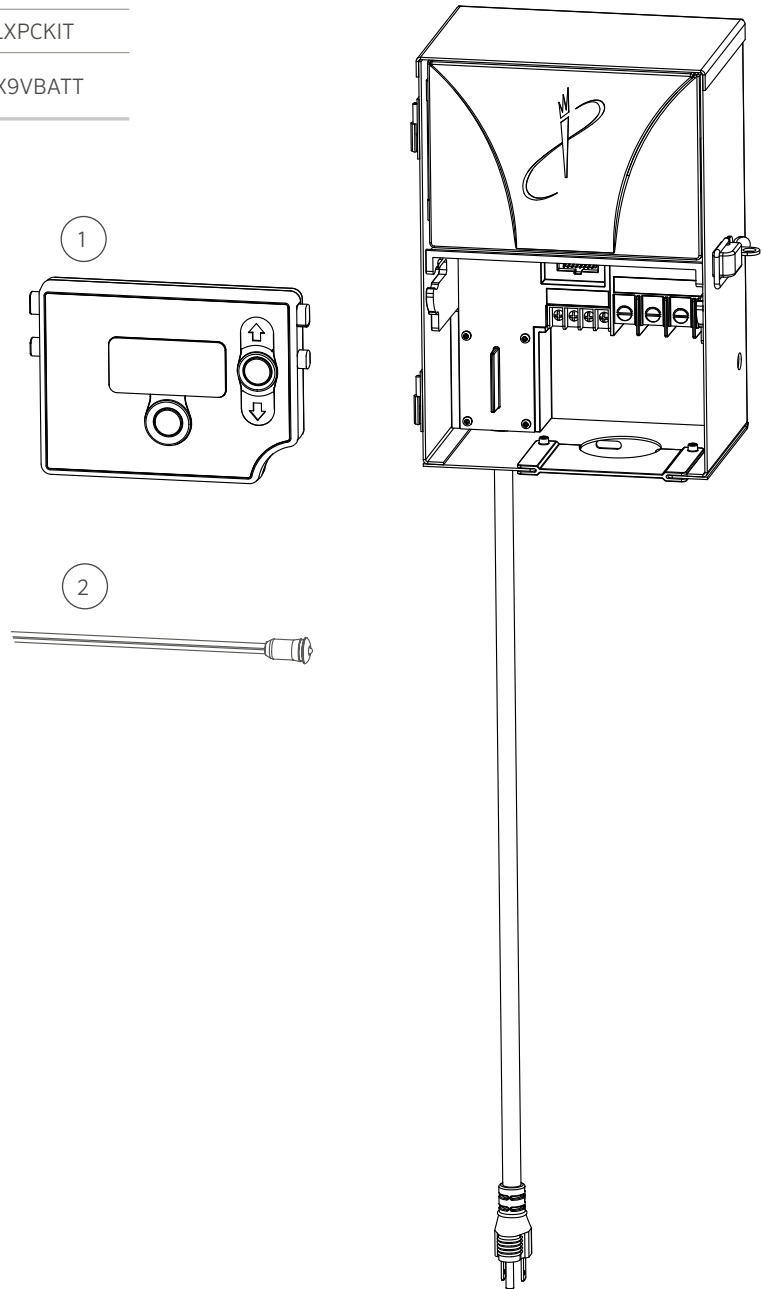
LUXOR ZD/ZDC

ITEM	DESCRIPTION	CATALOG #
1	Luxor ZD Facepack	LZDFP
2	Luxor ZDC Facepack	LZDCFP
3	LAN Module for CAT5 Connection	LANMOD
4	Wi-Fi Module	WIFIMOD
5	Luxor Facepack Mount	LUXORFPMNT



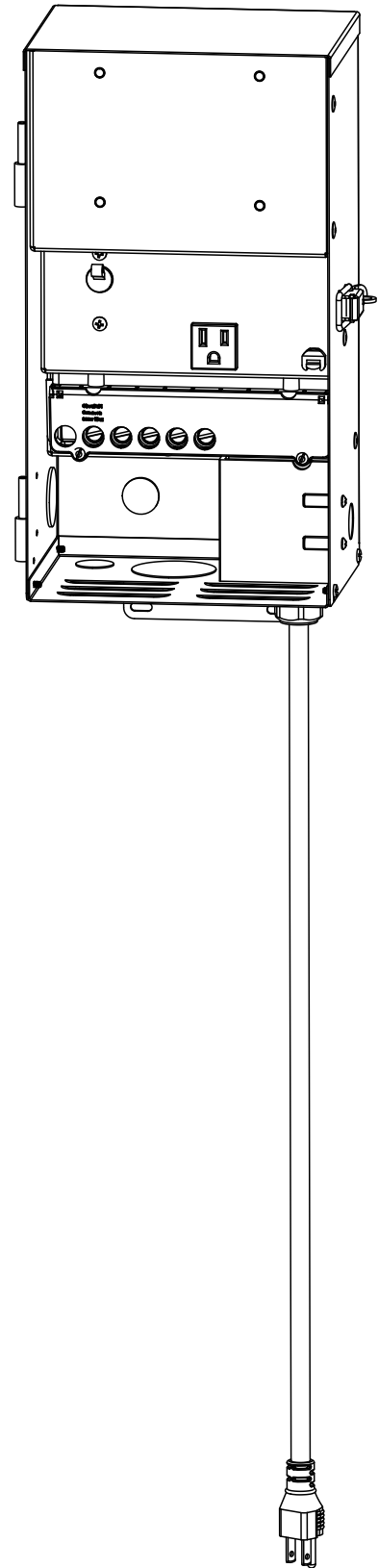
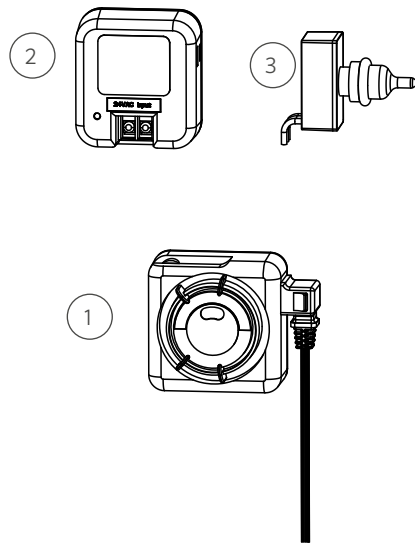
LX TRANSFORMER

ITEM	DESCRIPTION	CATALOG #
1	LX Facepack	LXPFV2
2	26' Photocell Kit	LXPCKIT
3	9V battery adapter (battery not included)	LX9VBATT



PX TRANSFORMER

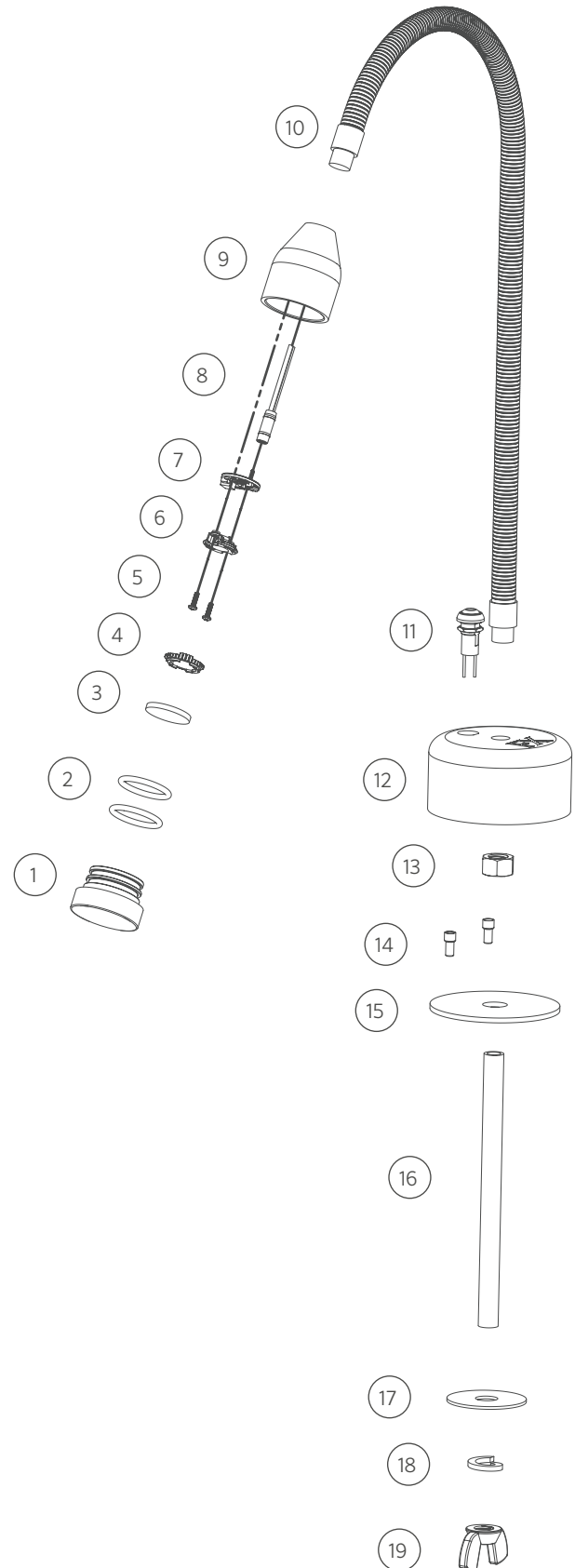
ITEM	DESCRIPTION	CATALOG #
1	Mechanical Timer	PXTIMER
2	Lighting Synchronizer for control with irrigation controller	PXSYNC
3	Photocell	PXPC



SPECIALTY LIGHTS

BQ

ITEM	DESCRIPTION	CATALOG #
1	Shroud	-
2	O-Ring	250010280015
3	Lens	-
1-3	Lens Cap Assembly (Clear)	BQLCSS
4	Diffuser	See LED Chart
5	Screw	See LED Chart
6	LED Reflector	See LED Chart
7	LED Board	See LED Chart
8	Socket, 1.5-meter	752600
9	Body	-
10	Flexible Conduit	250019580000
11	Push Button Switch	250019590000
12	Base	-
13	Hex Nut, 1/2-13	250019830000
14	Wire Crimp Connector	250010920000
15	Base Gasket	250019560000
16	Mounting Rod	250019570000
17	Fender Washer, 1/2"	250019870000
18	Lock Washer, Split, 1/2"	250019820000
19	Wing Nut, 1/2-13	250019840000
1-3	Lens Cap Assembly	BQLCSS



BQ LED COMPONENTS

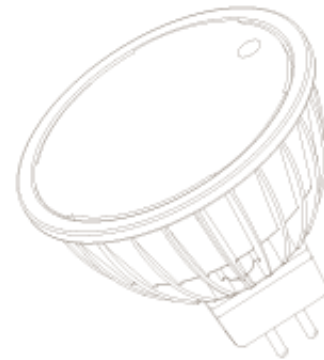
ITEM	DESCRIPTION	CATALOG #
4	1 LED Diffuser	770600
5	1/3 LED Screw, 4-40 x 3/8	762400
6	1 LED Reflector	770000
7	LED Board	1LEDULKIT†

†ZD = zoneable and dimmable (add ZD to front of part number)

LAMPS

LED MR-16 Lamp Chart

DESCRIPTION	CATALOG #
LED, MR-16, 20W, 10°, 2700K, 40,000 Hrs	MR16LED20WVN
LED, MR-16, 20W, 25°, 2700K, 40,000 Hrs	MR16LED20WNF
LED, MR-16, 20W, 35°, 2700K, 40,000 Hrs	MR16LED20WFL
LED, MR-16, 20W, 60°, 2700K, 40,000 Hrs	MR16LED20WWF
LED, MR-16, 20W, 10°, 3900K, 40,000 Hrs	MR16LED20CVN
LED, MR-16, 20W, 25°, 3900K, 40,000 Hrs	MR16LED20CNF
LED, MR-16, 20W, 35°, 3900K, 40,000 Hrs	MR16LED20CFL
LED, MR-16, 20W, 60°, 3900K, 40,000 Hrs	MR16LED20CWF
LED, MR-16, 35W, 10°, 2700K, 40,000 Hrs	MR16LED35WVN
LED, MR-16, 35W, 25°, 2700K, 40,000 Hrs	MR16LED35WNF
LED, MR-16, 35W, 35°, 2700K, 40,000 Hrs	MR16LED35WFL
LED, MR-16, 35W, 60°, 2700K, 40,000 Hrs	MR16LED35WWF
LED, MR-16, 35W, 10°, 3900K, 40,000 Hrs	MR16LED35CVN
LED, MR-16, 35W, 25°, 3900K, 40,000 Hrs	MR16LED35CNF
LED, MR-16, 35W, 35°, 3900K, 40,000 Hrs	MR16LED35CFL
LED, MR-16, 35W, 60°, 3900K, 40,000 Hrs	MR16LED35CWF

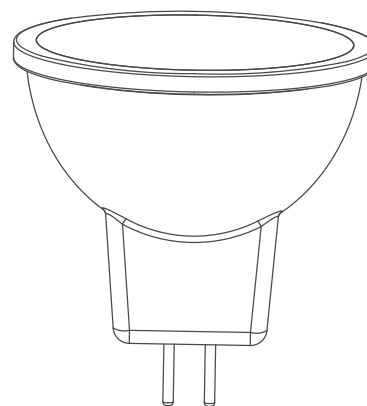


LED MR-16 ZD Lamp Chart

DESCRIPTION	CATALOG #
LED, ZD MR-16, 20W, 10°, 2700K, 40,000 Hrs	MR16ZD20WVN
LED, ZD MR-16, 20W, 25°, 2700K, 40,000 Hrs	MR16ZD20WNF
LED, ZD MR-16, 20W, 35°, 2700K, 40,000 Hrs	MR16ZD20WFL
LED, ZD MR-16, 20W, 60°, 2700K, 40,000 Hrs	MR16ZD20WWF
LED, ZD MR-16, 20W, 10°, 3900K, 40,000 Hrs	MR16ZD20CVN
LED, ZD MR-16, 20W, 25°, 3900K, 40,000 Hrs	MR16ZD20CNF
LED, ZD MR-16, 20W, 35°, 3900K, 40,000 Hrs	MR16ZD20CFL
LED, ZD MR-16, 20W, 60°, 3900K, 40,000 Hrs	MR16ZD20CWF
LED, ZD MR-16, 35W, 10°, 2700K, 40,000 Hrs	MR16ZD35WVN
LED, ZD MR-16, 35W, 25°, 2700K, 40,000 Hrs	MR16ZD35WNF
LED, ZD MR-16, 35W, 35°, 2700K, 40,000 Hrs	MR16ZD35WFL
LED, ZD MR-16, 35W, 60°, 2700K, 40,000 Hrs	MR16ZD35WWF
LED, ZD MR-16, 35W, 10°, 3900K, 40,000 Hrs	MR16ZD35CVN
LED, ZD MR-16, 35W, 25°, 3900K, 40,000 Hrs	MR16ZD35CNF
LED, ZD MR-16, 35W, 35°, 3900K, 40,000 Hrs	MR16ZD35CFL
LED, ZD MR-16, 35W, 60°, 3900K, 40,000 Hrs	MR16ZD35CWF

MR-16 Lamp Chart

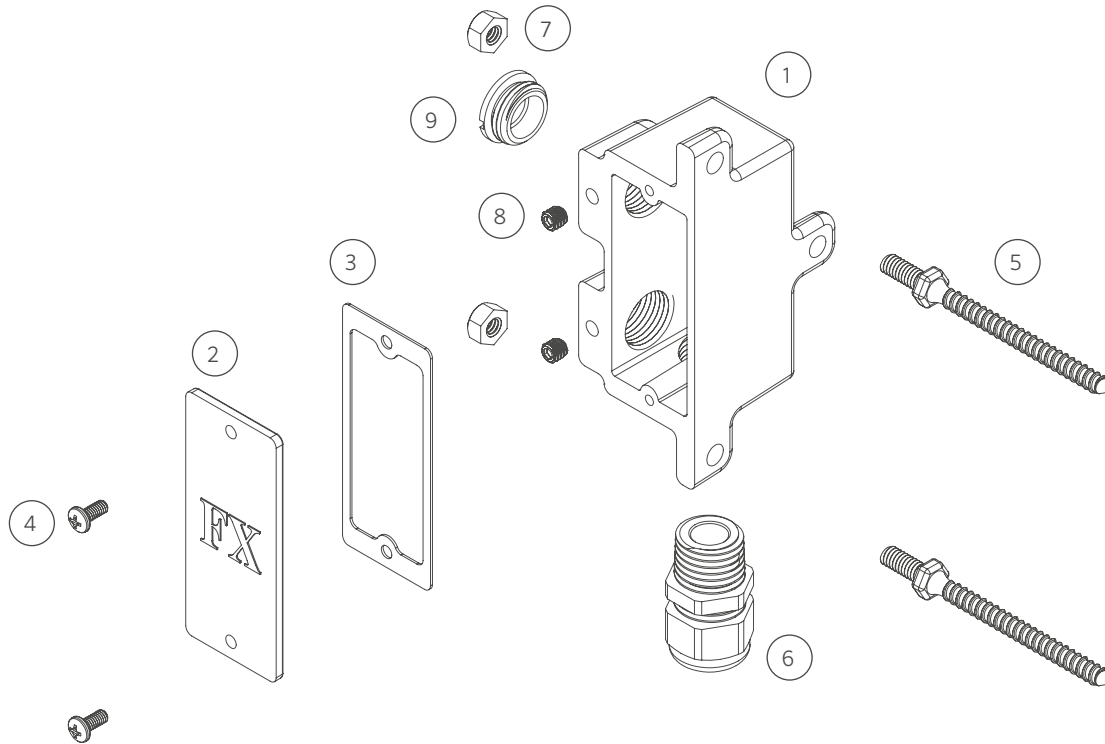
DESCRIPTION	CATALOG #
Lamp, MR-16, 10W, 32°, 1.2K Hrs	250010220001
Lamp, MR-16, 20W, 12°, 5K Hrs	250010220002
Lamp, MR-16, 20W, 24°, 5K Hrs	250010220003
Lamp, MR-16, 20W, 24°, 10K Hrs	250010220004
Lamp, MR-16, 20W, 36°, 5K Hrs	250010220005
Lamp, MR-16, 20W, 36°, 10K Hrs	250010220006
Lamp, MR-16, 20W, 36°, 12K Hrs	250010220007
Lamp, MR-16, 20W, 60°, 5K Hrs	250010220008
Lamp, MR-16, 35W, 12°, 5K Hrs	250010220009
Lamp, MR-16, 35W, 24°, 5K Hrs	250010220010
Lamp, MR-16, 35W, 24°, 10K Hrs	250010220011
Lamp, MR-16, 35W, 36°, 5K Hrs	250010220012
Lamp, MR-16, 35W, 36°, 10K Hrs	250010220013
Lamp, MR-16, 35W, 36°, 18K Hrs	250010220014
Lamp, MR-16, 35W, 60°, 5K Hrs	250010220015
Lamp, MR-16, 50W, 12°, 5K Hrs	250010220016
Lamp, MR-16, 50W, 12°, 10K Hrs	250010220017
Lamp, MR-16, 50W, 25°, 5K Hrs	250010220018
Lamp, MR-16, 50W, 24°, 10K Hrs	250010220019
Lamp, MR-16, 50W, 36°, 5K Hrs	250010220020
Lamp, MR-16, 50W, 36°, 10K Hrs	250010220021
Lamp, MR-16, 50W, 36°, 18K Hrs	250010220022
Lamp, MR-16, 50W, 60°, 5K Hrs	250010220023



ACCESSORIES

TB TREEBOX

ITEM	DESCRIPTION	CATALOG #
1	Housing, TreeBox	-
2	Cover, TreeBox	-
3	Gasket, TreeBox	-
4	Screw, PNH, 8-32 x.38 LG, MACH, Phillips, SST	250011950000
5	Stud, Wood, Threaded Screw	-
6	Cord Grip, Liquid Tight, 3231	250015330000
7	Nut, Hex, 1/4-20, SST	-
8	Setscrew, 1/4-20 x .25 LG, Cup Point, SST	250015320000
9	Plug, 1/2-14 NPT	250014460000
5, 7	TB Screw Kit	TBSCRWKIT



FXLuminaire[®]

A Hunter Industries Company

Our mission is to create the most energy-efficient lighting products in the world while maintaining the highest level of quality and reliability. In every instance, we will back our innovations with the unwavering support our customers need to succeed.



Gregory R. Hunter, CEO of Hunter Industries

Website fxl.com | Customer Support 760-744-5240 | Technical Service 760-591-7383

This brochure was printed on Forest Stewardship Council® (FSC) certified paper with soy inks. The FSC is an international organization established to promote the responsible management of the world's forests.

© 2017 Hunter Industries Incorporated  Please recycle.

FXLIT-027-US H 12/17

