

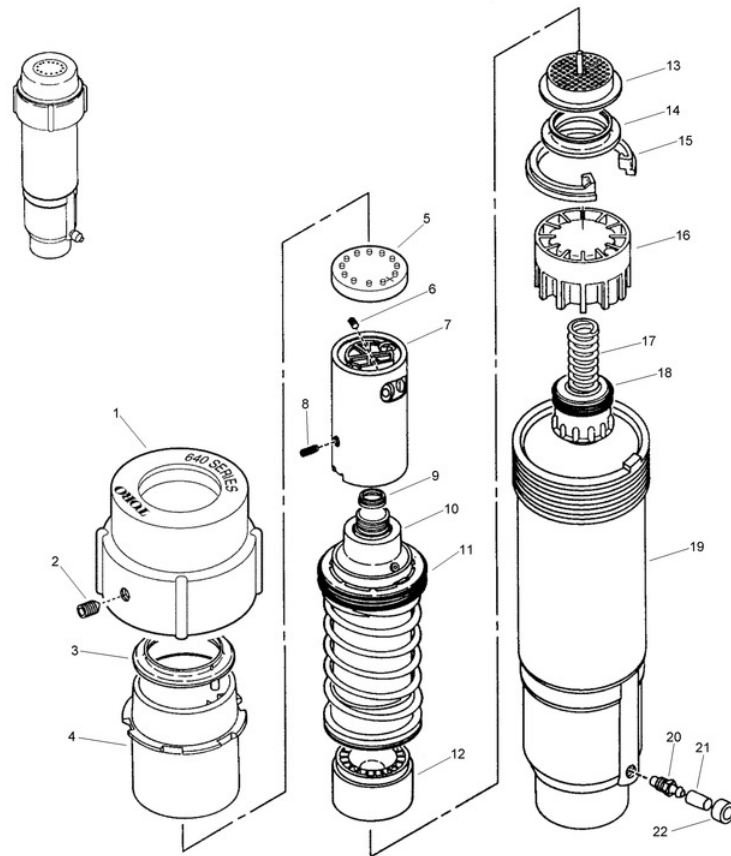


640

Model #:

Year:

Serial #:



No.	Description	Qty.
1	89-8999Cap Assy., 640 Service (Includes Item 2)	1
2	2-9653Set Screw, 1/4-20	1
3	3-3756Seal, Nozzle Container	1
4	3-3755Retainer	1
5	89-9000Rubber Cover, Nozzle (For 1993 or later models)	1
5	89-9001Rubber Cover, Nozzle, Effluent (For 1993 or later models)	1
6	360-0223Screw-Set, Half-dog Point, 6-32 x 1/4"	1
7	Nozzle Assy. (See Service Items: Nozzle / Stator Assy.)	1
8	1-7038Screw, Half-dog Point, 6-32 x 7/16" x 0.44	1
9	35-1075Seal, (Nozzle to Spindle)	1
10	640-0045Drive Assy., 640, 45°	1
10	640-0060Drive Assy., 640, 60°	1
10	640-0090Drive Assy., 640, 90°	1
10	640-0180Drive Assy., 640, 180°	1
10	640-0270Drive Assy., 640, 270°	1
10	640-0360Drive Assy., 640, 360°	1
10	640-0108Drive Assy., 640, 108°	1
10	640-0127Drive Assy., 640, 127°	1
10	640-0148Drive Assy., 640, 148°	1
10	640-0173Drive Assy., 640, 173°	1
10	640-0192Drive Assy., 640, 192°	1
10	640-0238Drive Assy., 640, 238°	1
11	Seal Assy. (See Service Item 35-4280)	1
12	35-1529Stator Assy., #40 (Includes Items 13 and 14)	
12	35-1359Stator Assy., #41 (Includes Items 13 and 14)	
12	9-2816Stator Assy., #42 (Includes Items 13 and 14)	
12	9-2817Stator Assy., #43 (Includes Items 13 and 14)	
12	35-1701Stator Assy., #44 (Includes Items 13 and 14)	
13	9-2072Screen	1
14	9-2633Seat, COM	1

No.	Description	Qty.
19	89-8089Body Assy., Hyd., NO (BSP)	
20	9-6002Adapter-Tubing, Threaded, 1/4"	1
21	89-8157Cap, 1/4", Poly, NO	1
22	900-40Retainer, Tube, PR and CR	1
	89-1046Valve Assy., 1.0" Hyd., NO, (Includes Items 16-18)	
	9-7271Adapter-Tubing, Oversized Thread (Replaces Item 2)	
	35-4280Seal Assembly Replacement Kit	
	35-0579Stator Assy., Fast, #41 (Includes Items 12-14)	
	35-1011Stator Assy., Fast, #42/43 (Includes Items 12-14)	
	640-40#40 Nozzle/Stator Assy. (Includes Items 5-9 and 12-14)	
	640-41#41 Nozzle/Stator Assy. (Includes Items 5-9 and 12-14)	
	640-42#42 Nozzle/Stator Assy. (Includes Items 5-9 and 12-14)	
	640-43#43 Nozzle/Stator Assy. (Includes Items 5-9 and 12-14)	
	640-44#44 Nozzle/Stator Assy. (Includes Items 5-9 and 12-14)	
	640-40E#40 Nozzle/Stator Assy., Effluent (Includes Items 5-9 and 12-14)	
	640-41E#41 Nozzle/Stator Assy., Effluent (Includes Items 5-9 and 12-14)	
	640-42E#42 Nozzle/Stator Assy., Effluent (Includes Items 5-9 and 12-14)	
	640-43E#43 Nozzle/Stator Assy., Effluent (Includes Items 5-9 and 12-14)	
	640-44E#44 Nozzle/Stator Assy., Effluent (Includes Items 5-9 and 12-14)	
	640-10Body Package, 640, Hyd., NO (Includes Items 1-4 and 15-22)	
	640-51Body Package, 640, Hyd., NO, BSP (Includes Items 1-4 and 15-22)	
	640-20Body Package, 640, COM (Includes Items 1-4 and 19)	
	640-52Body Package, 640, COM, BSP (Includes Items 1-4 and 19)	
	89-9080Rubber Cover Upgrade Kit #40 (Includes Items 1, 2 and 5-9)	

No.	Description	Qty.
15	89-4702Snap Ring, Valve	1
16	9-1485Cylinder Assy., NO & COM	1
17	3-2633Spring, Valve, NO, EL & NC	1
18	89-8082Piston Assy., Hyd., NO	1
19	9-2099Body Assy., COM	1
19	35-2076Body Assy., COM (BSP)	1
19	89-8088Body Assy., Hyd., NO	

No.	Description	Qty.
	89-9081Rubber Cover Upgrade Kit #41 (Includes Items 1, 2 and 5-9)	
	89-9082Rubber Cover Upgrade Kit #42 (Includes Items 1, 2 and 5-9)	
	89-9083Rubber Cover Upgrade Kit #43 (Includes Items 1, 2 and 5-9)	
	89-9084Rubber Cover Upgrade Kit #44 (Includes Items 1, 2 and 5-9)	
	35-3652Container, Nozzle (Pre-1993 Models)	
	35-9113Container, Nozzle (Without Set Screw Hole, Pre-1993 Models)	
	9-6086Rubber Cover, Nozzle (Pre-1993 Models)	
	89-7984Retainer, Rubber Cover	
	89-3744Rubber Cover, Cap	
	995-100Valve Snap Ring Pliers with Screen Remover	
	995-08Valve Removal Tool	
	995-35Valve Insertion Tool	
	995-37Seal Installation Tool	
	995-42640 Canister Removal Tool	
	996-51Cap Removal Tool	