



AUTO-IGNITE FIRE FEATURES

Faux Stone Fire Pit

Item #58091

Fire and Water Spillway Bowl

Item #58092

Fire and Water Stacked Slate Sphere Medium

Item #58093





IMPORTANT SAFETY WARNINGS



WARNING Symbol – Will alert you to the possibility of damage, injury, or death if you do not comply with the warnings that accompany them. The hazard may come from something mechanical or from electrical shock.



WARNING: FOR OUTDOOR USE ONLY

Installation and service must be performed by a qualified installer, service agency, or the gas supplier



WARNING:

If the information in this manual is not followed exactly, a fire or explosion may result causing property damage, personal injury, or loss of life

Improper installation, adjustment, alteration, service, or maintenance can cause injury or property damage

Read the installation, operation, and maintenance instructions thoroughly before installing or servicing this equipment

Save these instructions for future reference. If you are assembling this unit for someone else, give this manual to them to read and save for future reference



WARNING:

Do not store or use gasoline, or other flammable vapors and liquids, in the vicinity of this or any other appliance. An LP-cylinder not connected for use shall not be stored in vicinity of this or any other appliance



DANGER: FIRE OR EXPLOSION HAZARD

If you smell gas:

1. Shut off gas to the appliance
2. Extinguish any open flame
3. If odor continues, leave the area immediately
4. After leaving the area, call your gas supplier or fire department

Failure to follow these instructions could result in fire or explosion, which could cause property damage, personal injury, or death



DANGER



CARBON MONOXIDE HAZARD

This appliance can produce carbon monoxide which has no odor. Using it in an enclosed space can kill you.

Never use this appliance in an enclosed space such as a camper, tent, car or home

INSTALLER: Leave this manual with the appliance.
CONSUMER: Retain this manual for future reference.





Auto-Ignite Fire Features

Thank you for choosing an Aquascape auto-ignite fire feature. At Aquascape we connect people to water the way nature intended. Since 1991 we've been creating and field-testing water features in order to provide you with the most reliable products and best value in the water gardening industry.

Melt the stress away and excite your senses with these auto-ignite fire features. Each kit includes an Auto-Ignite Flame Control System with push button ignition and flame control for a safe and easy-to-install design.



TABLE OF CONTENTS

Warnings	3
Introduction	4
Contents	5
Important Safety Information	6
Assembly Instructions – Propane	10
Assembly Instructions – Natural Gas	10
Installing Fire Media	12
Pre-Use Instructions	12
Lighting Instructions	13
Care and Cleaning	13
Troubleshooting and Burner Checks	14
Replacement Parts	16
Warranty Information	16

Contact Us

For more information about our company or products, please visit our website at aquascapeinc.com or call US (866) 877-6637 CAN (866) 766-3426.

Find us on:

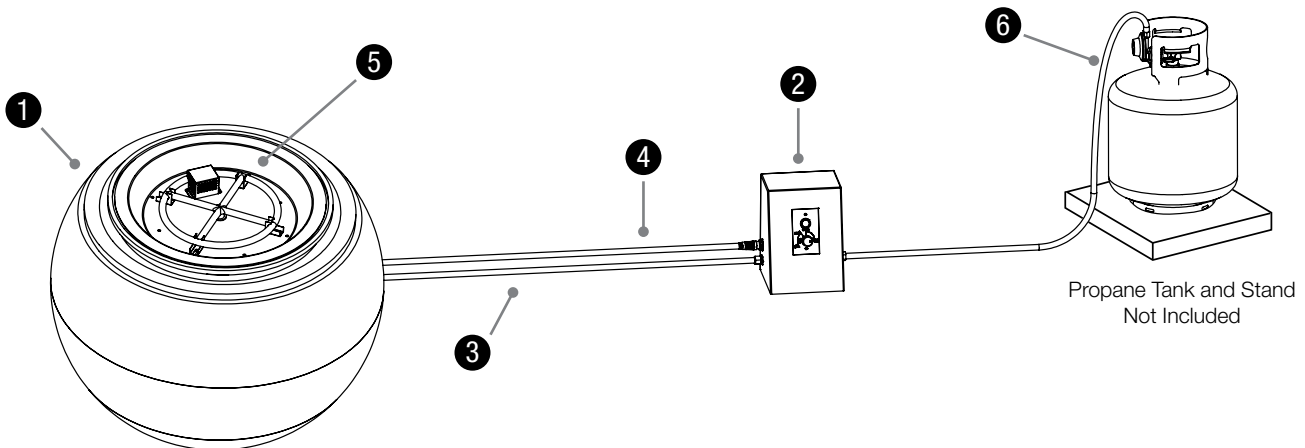
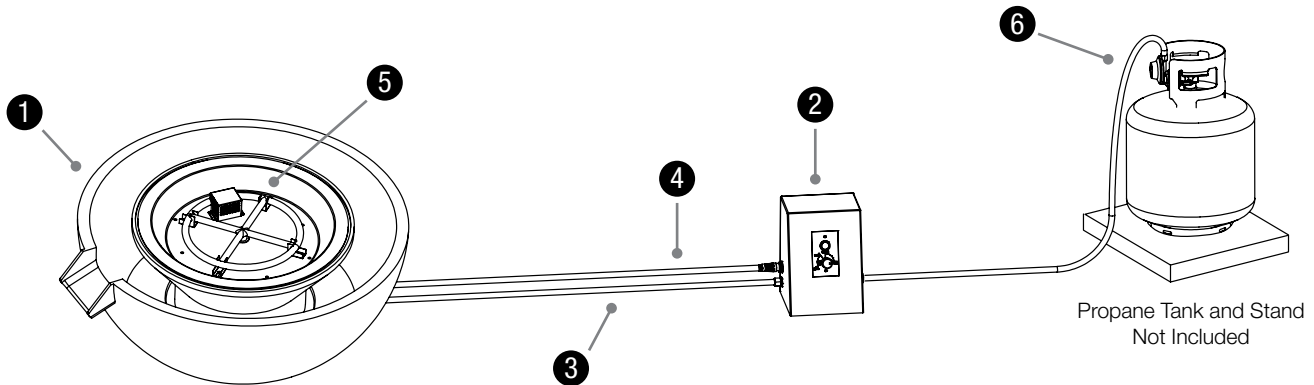
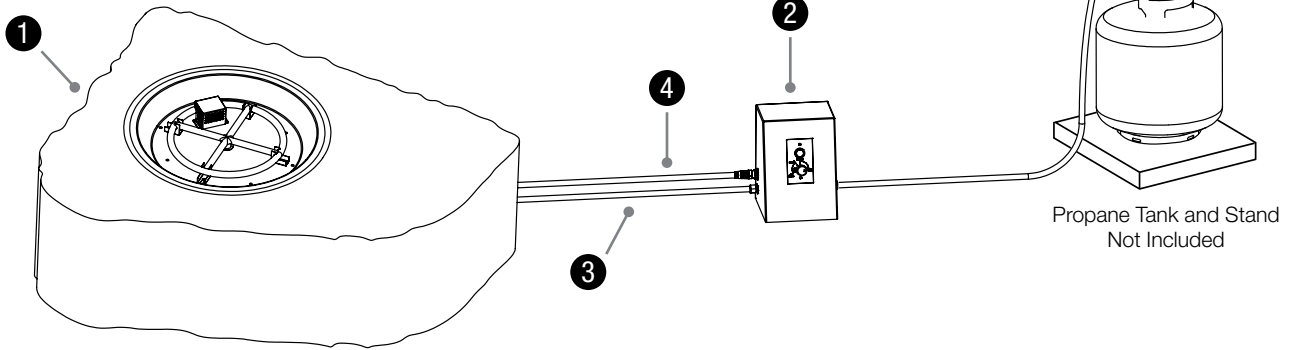


facebook.com/aquascapeinc
youtube.com/aquascape4
pinterest.com/aquascapeinc

Contents - #58091, #58092, #58093

No.	Description
	Faux Stone Fire Pit (#58091)
1.	Fire and Water Spillway Bowl (#58092)
	Fire and Water Stacked Slate Sphere Medium (#58093)
2.	Auto-Ignite Flame Control System
3.	Rubber Gas Hose – 3/8" x 10'
4.	Auto-Ignite Power Cable – 10'
5.	Silicone Water Tubing (#58092 and #58093) (not shown)
6.	Propane Tank Regulator and Hose – 3/8" x 10'
7.	Natural Gas Conversion Orifice

7



For replacement parts, call our customer service department (866) 877-6637. See page 16 of this manual.

Important Safety Information

IMPORTANT NOTICE: Read and understand all warnings and precautions prior to assembly and use of your fire feature. Improper installation, adjustment, alteration, service or maintenance can cause injury or property damage.

NOTE: When an appliance is setup for connection to a fixed piping system, the installation must conform with local codes, or in the absence of local codes with the National Fuel Gas Code, ANSI Z223.1 • NFPA 54; National Fuel Gas Code; Natural Gas and Propane Installation Code, CSA B149.1; or Propane Storage and Handling Code, CSA B149.2, as applicable.

DO NOT burn solid fuels such as: wood, charcoal briquettes, lump charcoal, manufactured logs, driftwood, trash, leaves, paper, cardboard, plywood, painted/stained/pressure treated wood in this fire feature.



WARNING: This fire feature is for outdoor use ONLY. Installation and repair should be done by a qualified service person. The appliance should be inspected before use and at least annually by a qualified service person. More frequent cleaning may be required, as necessary. It is imperative that the control compartment, burners and circulating air passageways of the appliance are kept clean.



WARNING: Failure to follow the dangers, warning, and cautions in this manual may result in serious bodily injury or death, or in a fire or explosion causing damage to property.

Minimum Clearance From Unit To Combustible Materials

61" (155.4 cm) from the top, 48" (121.9 cm) from all sides, and back. Do not locate this fire feature under any overhead enclosure.

- Children and adults should be alerted to the hazards of high surface temperatures and kept at a safe distance while fire feature is in use. This fire feature is not to be operated by children.
- Young children should be closely supervised when in the vicinity of this fire feature.
- Do not hang or place clothing or other flammable materials on or near the fire feature.
- Any guard or protective device removed for servicing the appliance shall be replaced prior to operating.
- This fire feature must be used only outdoors in a well-ventilated space and shall not be used inside a building, garage, or any other enclosed area.
- **DO NOT** use this gas fire feature for indoor heating. Toxic carbon monoxide fumes can accumulate and cause asphyxiation.
- **DO NOT** use a flame to check for gas leaks.
- **DO NOT** store or use gasoline or other flammable vapors and liquids within 25 feet (7.62 m) of this or any other appliance.
- **DO NOT** store any combustible materials inside or beneath the feature.
- **DO NOT** use alcohol, prescription, or non-prescription drugs that may impair an individual's ability to properly assemble or safely operate this fire feature.
- **DO NOT** leave this gas fire feature unattended while in use.
- **DO NOT** paint or color any part of this heating unit.
- **DO NOT** use this fire feature until it is completely assembled and all parts are securely fastened and tightened.
- **DO NOT** store another propane tank within 10 feet (3.05 m) of this fire feature while it is in operation.
- **DO NOT** use this fire feature under any overhead structure or near any unprotected combustible constructions. Avoid using near or under overhanging trees and shrubs.
- **DO NOT** use this outdoor fire feature if any part has been under water. Immediately call a qualified service technician to inspect and replace any part which has been under water.
- **DO NOT** wear flammable or loose clothing when operating this fire feature.
- **DO NOT** use in windy conditions.
- **DO NOT** attempt to move or store this fire feature until all parts are cool.
- **DO NOT** lean over this fire feature when lighting or when in use.

- **DO NOT** attempt to disconnect the gas regulator from the tank or any gas fitting while the outdoor fire feature is in use.
- **DO NOT** sit on the mantle when the unit is in operation.
- **DO NOT** throw anything onto the fire when the unit is in operation.
- This fire feature should never be operated by children. Children should be closely supervised and kept at safe distance while this feature is in use.
- This fire feature is not to be installed or used in or on recreation vehicles and/or boats.
- **ALWAYS** use in accordance with all applicable local, state, and national codes. Contact your local fire department for details on outdoor burning.
- **ALWAYS** use this fire feature on a hard, level, non-combustible surface such as concrete, rock, or stone. An asphalt or blacktop surface may not be acceptable for this purpose. Surfaces such as dirt and grass may prevent the unit from having proper ventilation.
- **ALWAYS** shut off gas supply at the tank valve or gas fitting and disconnect regulator from the tank when the fire feature is not in use.
- **ALWAYS** shut off the gas supply at the tank valve or the main gas supply when the fire feature is not in use.
- Use the same precautions you would with any open fire when using this fire feature.
- Keep all electrical cords away from a hot fire feature.
- Certain areas of this fire feature will become too hot to touch when in use. To avoid burns, do not touch hot surfaces until the unit has cooled, unless you are wearing protective gear such as insulated pot holders or heat resistant gloves or mittens to avoid burns.
- Use only the regulator and hose assembly provided. The replacement regulator and hose assembly shall be that specified by the manufacturer.
- Fire media can become very hot; please keep children or pets away at a safe distance.
- Prior to each operation, check the hose for evidence of abrasion or wear by looking through the visual check hole. If the hose is damaged, cracked, or cut, it must be replaced before using the fire feature. The hose assembly can only be replaced with a hose assembly specified by the manufacturer.
- Before each use, remove the fire media. Examine the burner and its components. If dirty, clean with a soft brush and soapy water solution. Examine the area around the burner; any dirt or foreign material, such as spider webs or nests in this area should be removed. The burner must be replaced prior to the appliance being put into operation if it is evident that the burner is damaged. The replacement burner shall be that specified by the manufacturer.
- Place the hose out of pathways where people might trip over it. Do not place the hose in areas where it may be subjected to accidental damage.

ATTENTION: Any alteration of the fire feature not specifically directed in the operations manual will void manufacturer warranty.

Important Safety Information (continued)

PROPANE AND NATURAL GAS DANGER AND WARNINGS

- Propane and natural gas are extremely flammable, explosive under pressure, and hazardous if handled improperly. Be aware of the characteristics before using any propane and natural gas product.
- Natural gas is lighter than air, while propane is heavier than air and settles in pools in low areas.
- In its natural state, neither propane nor natural gas has an odor. For your safety, an odorant has been added.
- Contact with propane or natural gas could burn your skin.

Propane Warnings

- Propane fire features are set up to operate on propane only. Using natural gas will result in excessive carbon output during burning.
- Propane cylinders must be stored outdoors in a well-ventilated area out of reach of children.
- Disconnected cylinders must have threaded valve plugs tightly installed and must not be stored in a building, garage, or any other enclosed area.
- Never use a propane cylinder with a damaged body, valve, collar, or footing.
- Dented or rusted propane cylinders may be hazardous and should be checked by your propane gas supplier.
- Be sure to use only one 20 lb (9.1 kg) propane cylinder with a Type 1 valve with this appliance as required by the American National Standards Institute (ANSI) and the Canadian Standards Steering Committee. Only tanks marked “propane” may be used.
- The propane supply tank must be constructed and marked in accordance with the U.S. Department of Transportation (D.O.T.) Specifications for LP-Gas Cylinders, or the Standard for Cylinders, Spheres and Tubes for Transportation of Dangerous Goods and Commission, CAN/CSA-B339, as applicable; Provided with a listed overfilling prevention device, and provided with a cylinder connection device compatible with the connection for the appliance.
- Propane tank must be arranged for vapor withdrawal.
- The propane tank must have a tank collar to protect the tank valve.
- Propane cylinder must contain a shut-off valve as specified in the standard for compressed gas.
- Cylinder valve outlet and inlet connection, ANSI/CGA-V-1-1977, CSA B96.
- The propane tank should not be dropped or handled roughly.
- Tanks must be stored outdoors out of the reach of children.
- **DO NOT** store in a building, garage, or any other enclosed area.
- Never store your propane tank where temperatures can reach over 125°F.
- **DO NOT** store the propane cylinder in direct sunlight or near a source of heat or combustion.
- **NEVER** keep a filled propane tank in a hot car or car trunk. Heat will cause the gas pressure to increase, which may open the relief valve and allow gas to escape.
- Place a dust cap on valve outlet whenever the propane tank is not in use. Only install the type of dust cap on the propane tank valve outlet that is provided with the propane tank valve. Other types of caps or plugs may result in leakage of propane.
 1. **DO NOT** store a spare propane cylinder under or near this appliance.
 2. **NEVER** fill the propane cylinder beyond 80% full.
 3. If the information in (1) and (2) is not followed exactly, a fire causing death or serious injury may occur.
- Propane cylinders should be filled only by a certified propane dealer.
- The pressure regulator is set for 11 inches of water column (pressure).
- The maximum inlet propane gas pressure for this outdoor fire feature is 250 psi.
- The minimum inlet propane gas pressure for this outdoor fire feature is 25 psi.
- **NEVER** attempt to attach this appliance to the self-contained propane system of a camper trailer, motor home, or house.
- Always use the pressure regulator and hose assembly provided with the appliance to connect to a propane cylinder. Never connect to an unregulated propane supply.

- Hand turn the manual gas control valve. Never use tools. If the valve will not turn by hand, do not try to repair it. Call a certified gas technician. The use of force or any self-attempted repair may result in a fire or explosion.

Natural Gas Warnings

- Natural gas fire features are set up to operate on natural gas only, at a pressure of seven inches of water column (7" WC). Check with your gas utility for local gas pressure, because in some areas natural gas pressure varies. Also, check with your gas company or with local building codes for instructions to install a gas supply line, or call a licensed and qualified installer.
- The maximum inlet natural gas pressure for this outdoor fire feature is 10.5 inch WC
- The minimum inlet natural gas pressure for this outdoor fire feature is 3.5 inch WC
- It is recommended that an ON/OFF manual shut-off valve be installed at the gas supply source:
 - Outdoors; after the gas line exits outside wall and before quick-disconnect or before gas supply line enters ground.
 - Indoors; in the branch gas line in an accessible location near the gas supply line.
- Pipe sealing compound or pipe thread tape of the type resistant to the action of natural gas must be used on all male pipe threads. Apply compound or tape to at least the first three to four threads when making a connection.
- Never store or use gasoline or other volatile substance in the vicinity of this fire feature.

HOSE AND REGULATOR ASSEMBLY AND REPLACEMENT

1. This fire feature comes equipped with a standard LP gas hose and regulator including the appliance side connection for a CGA No 791 Cylinder Connection Device. The LP gas hose and regulator supplied with this fire feature must be used. Only a hose and regulator specified by manufacturer can be used for replacement.
 - a. The CGA No 791 connection incorporates a magnetic flow-limiting device that acts to limit the flow of gas if a leak is detected between the regulator and the burner valve.
 - b. If the burner valve is open prior to the LP gas cylinder service valve being opened, the connection will interpret this free flow of gas to be a leak.
 - c. The connection safety feature will reduce gas flow from the regulator to the appliance to a minimal level.
 - d. Be sure that the burner control valve is closed prior to opening the LP gas cylinder service valve to ensure that the connection flow-limiting device is not triggered mistakenly.
 - e. If the connection flow-limiting device is triggered mistakenly, close the LP gas cylinder service valve, and the burner valve, wait 10 seconds to allow the device to reset, open the cylinder service valve, and then open the burner valve and light as per lighting instructions.
2. Be sure to protect the hose from any hot surfaces. Serious danger may result if the hose contacts any hot surface.
3. Regular maintenance of the hose and regulator:
 - a. Inspect the hose before each use of the fire feature. If the hose shows signs of cracks, abrasions, cuts, or damage of any kind, do not operate the appliance. Fix or replace the hose as required before using the appliance. For assistance with repair or replacement of the hose, call your gas supplier. Use only replacement parts from the manufacturer.
 - b. Inspect the seal inside the CGA No 791 service valve on the LP gas cylinder when replacing the cylinder or at least once per year. If there is any indication of damage, have the seal replaced by a certified gas dealer before operating the appliance.
4. Do not use tools to tighten the CGA No 791 connection nut onto the LP gas cylinder service valve. Hand tighten only.
5. Be careful to not cross the threads on the connection when tightening the CGA No 791 connection on to the LP gas cylinder service valve.
6. A "leak test" should always be performed after attaching the connection to the LP gas cylinder service valve. (see "Checking for Leaks" section of this manual on page 12).
7. For the connection of the hose and regulator to the LP tank, refer to the Hose and Regulator Assembly section above.

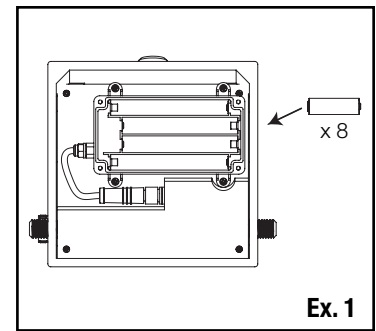
Fire Media Warning

1. Do not light or use this fire feature if fire media is wet. Ensure fire media is completely dry before lighting. Intense heat can cause wet fire media to explode and they could hit someone causing injury.
2. Please keep away from the fire feature for at least 20 minutes during initial start-up as fire media could retain some moisture from manufacturing and shipping.

Assembly Instructions – Propane

Installing the Batteries

- Remove back plate from the battery pack located at the bottom of the Auto-Ignite Flame Control System and install 8 x AA batteries as shown (Ex. 1). Securely reinstall the back-plate, do not overtighten.



Locating the Propane Tank

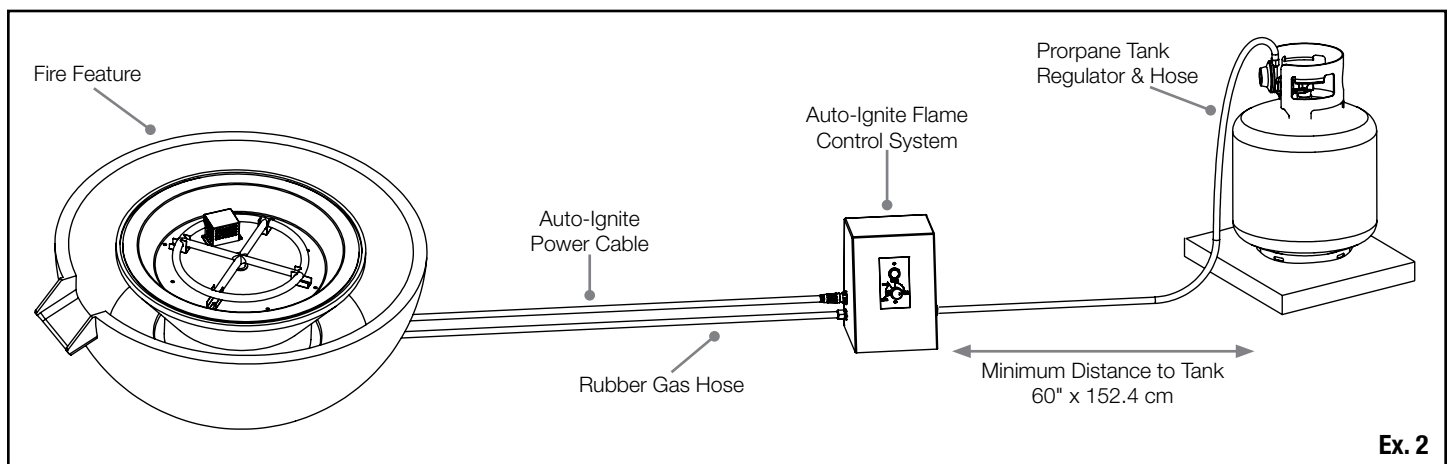
- Place the propane tank a minimum of 60" (152.4 CM) away from the fire feature (Ex. 2).

Connecting the Flame Control System

- Aquascape fire features ship with a 10 ft/3 m gas hose pre-attached to the bottom of the burner system. Connect the opposite end of the gas hose to the 3/8" flare connection on the flame control system as shown (Ex. 2). After making all connections, perform a leak test as described on page 12 of this manual.

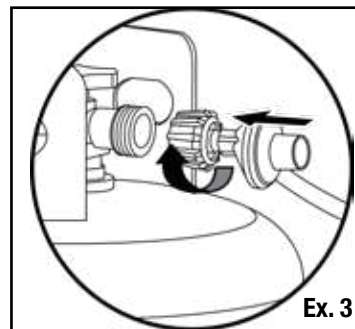
NOTE: Do not use pipe compound or Teflon PTFE tape on flare gas connections.

- Aquascape fire features ship with a 10 foot/3 m power cable pre-attached to the bottom of the burner system. Connect the opposite end of the cable to the flame control system as shown, fully inserting before hand-tightening the collar (Ex. 2).



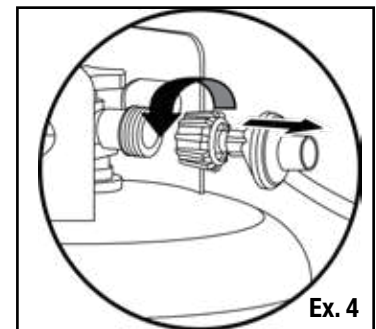
Connecting the Propane Tank

- Check to make sure there is no debris in the head of the propane tank or in the head of the regulator valve. Make sure you check the burner and burner ports as well. Connect gas line to tank by turning knob clockwise (hand tighten only) (Ex. 3).



Disconnecting the Propane Tank

- Make sure the valve on the propane tank is closed. Disconnect by turning the knob counterclockwise until it is detached from the valve (Ex. 4).



Assembly Instructions – Natural Gas

Propane to Natural Gas Conversion

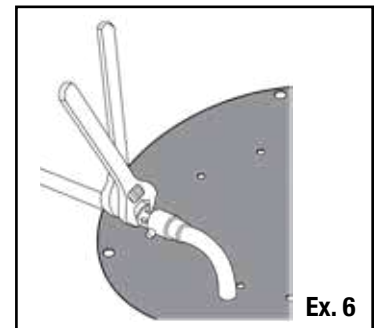
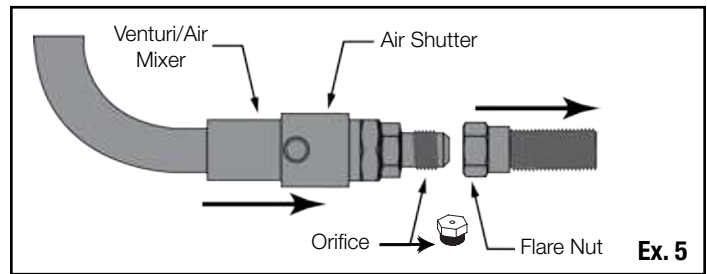


WARNING: This conversion shall be installed by a qualified service agency in accordance with the manufacturer's instructions and all applicable codes and requirements of the Authority Having Jurisdiction. If the information in these instructions is not followed exactly, a fire, explosion or production of carbon monoxide may result causing property damage, personal injury, or loss of life. The qualified service agency is responsible for the proper installation of this kit. The installation is not proper and complete until the operation of the converted appliance is checked as specified in the manufacturer's instructions supplied with the kit. Appliance must be isolated from the gas supply piping system by closing its individual manual shutoff valve during any pressure testing of the piping system at test pressures equal to or less than 1/2 psi (3.5 kPa).

- This fire feature can be used with propane and natural gas. This fire feature is adjusted and shipped for use with propane gas. To convert to natural gas use ONLY the natural gas orifice included with the kit.

CAUTION: Before converting the fire feature, ensure the gas supply is shut off and the power cable is disconnected.

1. Adjust air shutter to a closed position (no light visible through the shutter) by loosening the small screw on the venturi/air mixer and rotating it to a closed position and re-tightening screw (Ex. 5).
2. Loosen and remove the flare nut and propane orifice with two wrenches (Ex. 5 & 6).
3. Locate the natural gas orifice and install securely in the same position as the removed propane orifice.
4. Placing all markings provided in the kit in the appropriate location on the converted appliance. Affix the conversion marking as close as possible to the existing rating plate.
5. Perform proper leak testing of the converted appliance prior to placing it into operation. See "Checking for Leaks" section on page 12 of this manual. Natural gas fire features are set up to operate on natural gas only, at a pressure of seven inches of water column (7" WC). Check with your gas utility for local gas pressure. Natural gas input rating is 60,000 BTU/hr (17.58 kW/h).
6. After lighting, rotate the burner control knob counterclockwise to "LOW" setting. Observe the flame and make sure all burner ports are lit. The flame height should be no higher than 15-21 inches tall.

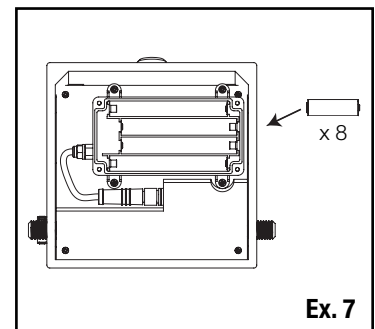


Installing the Batteries

- Locate the battery pack at the bottom of the flame control system. Remove back plate from the battery pack and install 8 x AA batteries as shown (Ex. 7). Securely reinstall the back plate, do not over tighten.

Connecting the Flame Control System

- Aquascape fire features ship with a 10 foot/3 m gas hose pre-attached to the bottom of the burner system. Connect the opposite end of the gas hose to the 3/8" flare connection on the flame control system as shown (Ex. 8). After making all connections, perform a leak test as described on page 12 of this manual.

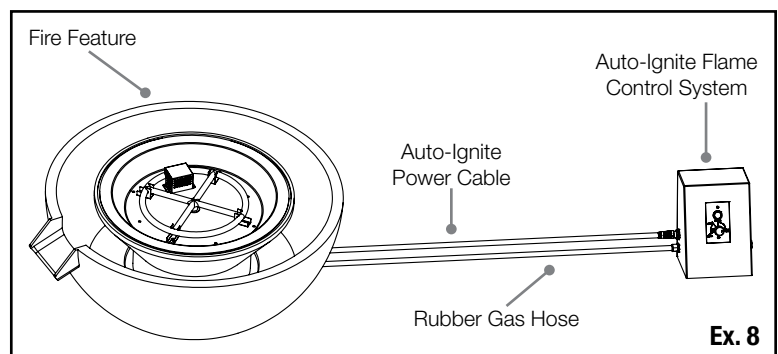


NOTE: Do not use pipe compound or Teflon PTFE tape on flare gas connections.

- Aquascape fire features ship with a 10 foot/3 m power cable pre-attached to the bottom of the burner system. Connect the opposite end of the cable to the flame control system as shown, fully inserting before hand-tightening the collar (Ex. 8).

Connecting Your Fire Feature to the Natural Gas Source

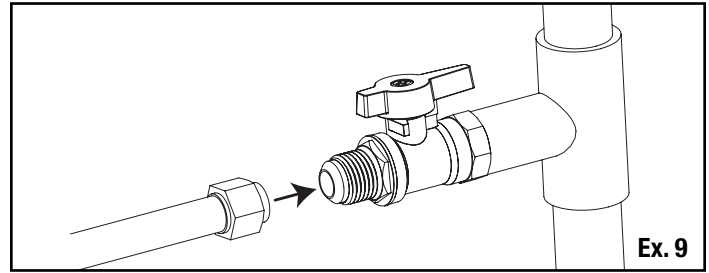
- A professionally installed shut-off valve is required as shown, as recommended by the National Fuel Gas Code, coating threads using gas resistant pipe compound or approved Teflon PTFE tape. Connection must be made outdoors.



Assembly Instructions – Natural Gas (continued)

Connecting the Socket

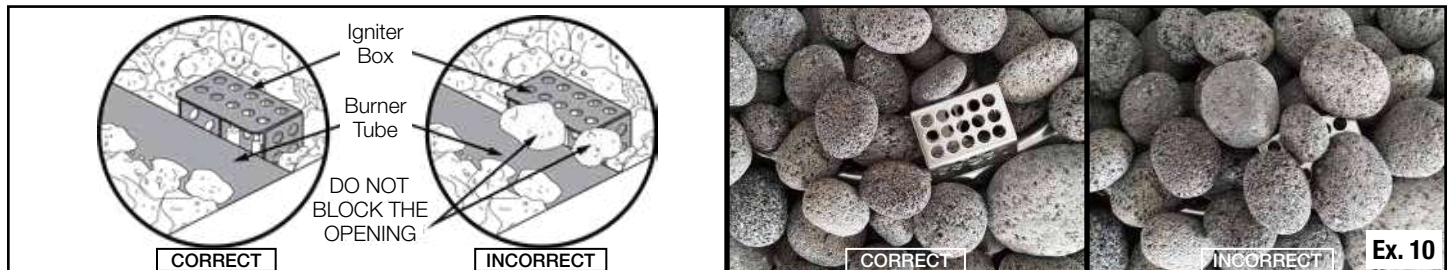
- Connect gas hose to the shut-off valve (Ex. 9) and wrench tighten. After making all connections, perform a leak test as described below.
- Be sure to follow all applicable codes and requirements of the Authority Having Jurisdiction.



Installing Fire Media

- Place lava rock or fire glass by hand. DO NOT dump bag out into tray to avoid clogging the burner with dust.
- Position the media to no more than 1/2" above the top of the burner ring.
- Make sure that you do not block the igniter box with lava rock to ensure proper ignition (Ex. 10).

NOTE: DO NOT mix or stack multiple types of fire media in the burner pan.



Pre-Use Instructions



WARNING: Before using this fire feature, make sure you have read, understand and are following all information provided in the Important Safety Information section of this manual. Failure to follow those instructions can cause death, serious injury, or property damage.

- Prior to each fire feature operation, check the hose and valve for evidence of excessive wear or damage. Replace damaged or worn-out hoses before using the fire feature.
- Make sure the regulator valve and hose connections are securely fastened to the feature, control system, and the tank. If your unit was assembled for you, visually check all connections.



WARNING: Failure to inspect this connection or follow these instructions could cause a fire or an explosion, which can cause death, serious bodily injury, or damage to property.

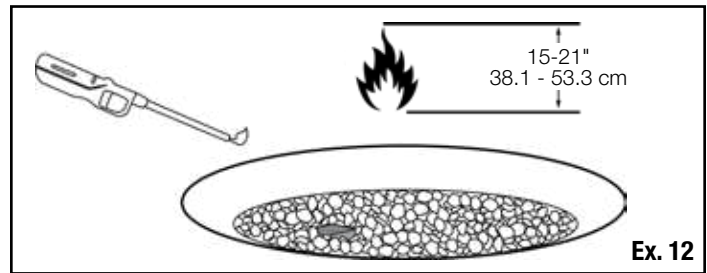
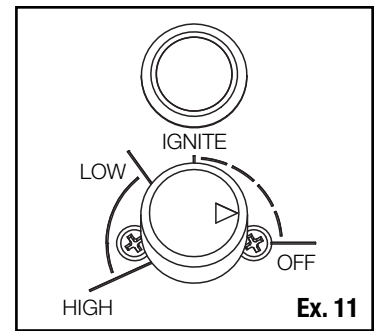
- If any connections are not fastened securely, please contact your gas supplier for assistance.

Checking for Leaks

- Use a leak detector or leak check solution to verify there are no leaks at any of the connections.
- If a leak is detected, turn the gas OFF, reconnect, and re-test.
- If you still detect a leak, turn gas off and contact your gas supplier.

Lighting Instructions

1. Failure to properly perform the ignition as stated in these instructions may cause danger. Read and understand all operating instructions before lighting. Ensure that all protective film has been removed prior to lighting.
2. The burner control knob must be in the "OFF" position (Ex. 11).
3. **Propane:** Connect the propane cylinder (see previous pages) and slowly open the valve on the propane cylinder. **Natural Gas:** Open the natural gas shut-off valve.
4. Push and turn the control knob to the "IGNITE" position. Keep the control knob pressed down and push the button until the burner lights. If the burner does not light after 30 seconds, turn to the "OFF" position and retry steps 4-6. If the burner still will not light, refer to the "Troubleshooting and Bruner Check" section on page 14.
5. Keep the burner control knob pressed in for 4-30 seconds after ignition. Holding the knob allows the thermocouple sensor in the igniter box to get hot enough to keep gas flowing to the feature (safety feature).
6. If the flame does not stay lit after keeping the knob depressed for 30 seconds, turn the control knob to the "OFF" position and turn the gas off at the source. Wait 5 minutes until the gas has cleared and repeat the lighting procedure. If the flame will not hold after re-attempting the light procedure, refer to the troubleshooting section.
7. After lighting, rotate the control knob counterclockwise to the "LOW" setting. Observe the flame and make sure all burner ports are lit. The flame height should be no higher than 15-21 inches tall (EX. 12).
8. Adjust the flame to the desired height with the control knob.



WARNING: Lava rock and other fire medias are natural products. Water may have become trapped in it over time and will turn to steam when heated, causing the rocks to pop and send hot rock flying. When first firing up your new fire feature, keep people and upholstered furniture at least 15 feet away for the first 20 minutes to avoid injury and damage.



WARNING: If the burner flame goes out during operation, immediately turn the control knob to "OFF" and let the gas clear a minimum of 5 minutes before attempting to re-light.

- Please refer to the troubleshooting pages for additional support, beginning on page 14.

Care and Cleaning

Inspection

- This fire feature must be inspected regularly to ensure that the product is safe to use and to extend the product's life.



WARNING: DO NOT inspect this fire feature until the fire is COMPLETELY out and cool to the touch.

1. Check the burner to make sure it is securely in place.
2. Check the venturi/air mixer and other passages to make sure they are clear and free of insects, spider nests, and other debris.
3. Check all gas connections for leaks.
4. Check the ignition system to ensure proper sparking.
5. Check the components for any signs of damage, rust, or excessive wear.
6. If damage to any component is detected, do not operate until the proper repairs have been made.

Care and Cleaning (continued)



WARNING: DO NOT tamper with this appliance. This is dangerous and will void the warranty. Any part found to be faulty must be replaced with an approved part, confirmed by manufacturer. For technical support contact your gas supplier.

General Care and Cleaning

- This fire feature should be cleaned regularly to ensure safe use and extend the product's life.

NOTE: After use, a slight discoloration of the finishes may occur.

- Fire Feature Body
 - Wipe exterior surfaces using a gentle sponge and warm water.
- Stainless Steel Parts
 1. For general cleaning, use warm water, soap, ammonia, or detergent applied with a soft cloth or sponge.
 2. For finger prints or smears, use heavy-duty window cleaner.
 3. For stubborn stains and discoloration, use stainless steel cleaner and polish.

Storage



WARNING: DO NOT move or store this fire feature unless the fire is completely out and cool to the touch.

1. Turn gas off at the source. If using propane, remove tank and store in a cool dry location, outdoors away from children.
2. Carefully remove the media and store the components flat to protect them from breakage.
3. Always cover feature when not in use.
4. Store in a cool, dry location away from children and pets.

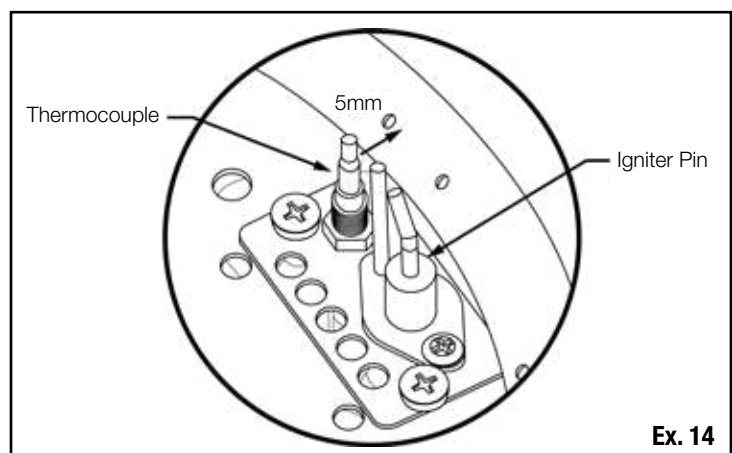
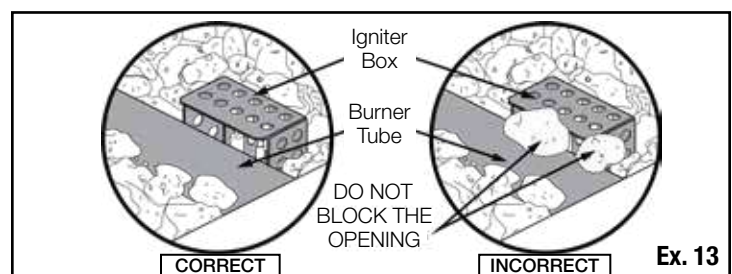
Troubleshooting and Burner Checks

If the burner will not light or stay lit, please perform the following checks:

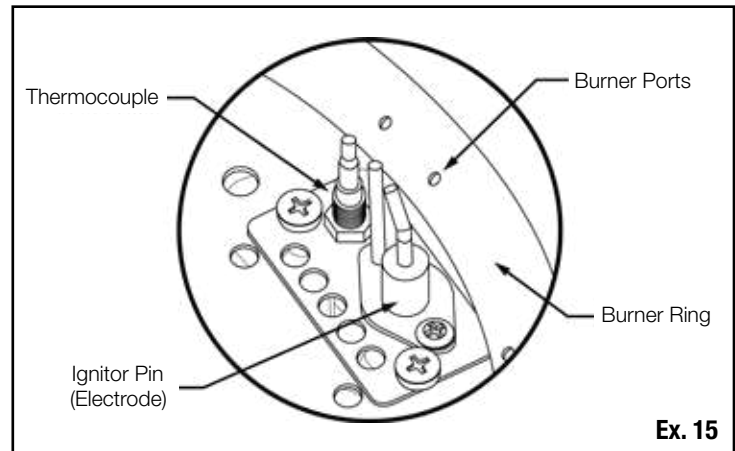
1. Make sure the power cable is correctly connected.
2. Make sure that the igniter box is unobstructed. Clear any debris on top and make sure there is no debris between the igniter pin, thermocouple, and the burner tube (Ex. 13 & 14).
3. Make sure that the igniter pin and thermocouple are correctly positioned.
 - The igniter pin should be pointed straight to the thermocouple (Ex. 14).
 - The thermocouple should be positioned 5 mm away from the burner tube (Ex. 14).

Burner still will not light

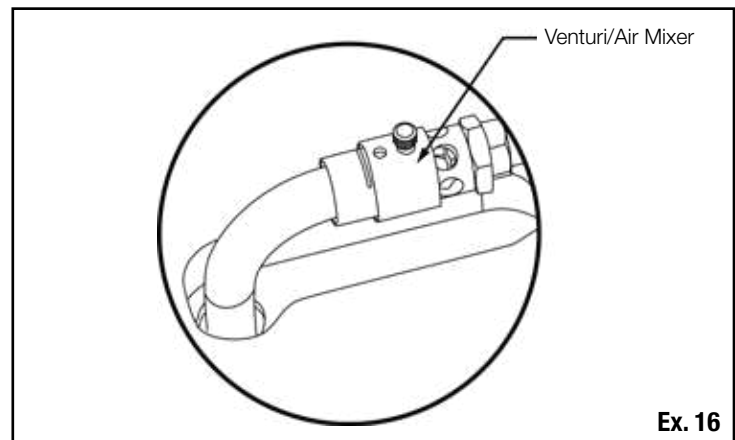
- The electrode and burners are wet.
 - Wipe dry with cloth.
- The igniter batteries are dead or backwards.
 - Check that the batteries are inserted correctly in the flame control system (see page 10) or replace the batteries.
- The igniter pin is cracked or broken (sparks at the crack).
 - Call your gas supplier for technical support.



- A wire is loose or disconnected.
 - Call your gas supplier.
- The wire is shorting (sparking) between igniter and electrode.
 - Call your gas supplier for support.
- The igniter pin is not pointing at the thermocouple.
 - Turn the electrode to point at the thermocouple (Ex. 15).
- Bad igniter.
 - Call your gas supplier for support.
- No gas flow.
 - Check if the gas cylinder is empty. If empty, replace or refill it. If the gas cylinder is not empty, refer to “sudden drop in gas flow or reduced flame height” section below.
- Coupling nut and regulator not fully connected.
 - Turn the coupling nut about one-half to three-fourths a turn, until you feel a solid stop. Do not use tools, tighten by hand only.
- Obstruction of gas flow.
 - Check for bent or kinked hose.
- Spider webs or insect nest in the venturi/air mixer.
 - Clean the venturi/air mixer (Ex. 16).
- The burner ports are clogged or blocked.
 - Refer to “irregular flame pattern” section below. Clean the burner ports as recommended.



Ex. 15



Ex. 16

Emits black smoke when in use

- The supply hose to the fire feature is pinched.
 - Make sure the hose is not pinched between the fire feature and the gas source.
- The flame is being obstructed at the burner ports.
 - Make sure that the gas ports on the burner are free of any obstructions so that the flame can flow naturally.

Sudden drop in gas flow, or a reduced flame height

- Out of gas.
 - Propane; refill or replace the gas cylinder.
 - Natural gas; call your local gas company.
- The excess flow safety device may have been activated.
 - Turn the control knob to “OFF”, wait 30 seconds and light the fire feature. If the flame is still too low, reset the excessive flow safety device by turning off the control knob and gas supply. Disconnect from gas source. Turn the burner control knob to “HIGH”. Wait 1 minute, then turn the burner control knob to “OFF”. Reconnect to the gas source and perform a leak check at the gas connection. Turn the gas valve on slowly, wait 30 seconds and then light the fire feature.

Irregular flame pattern (flame does not run the full length of the burner)

- The burner ports are clogged or blocked.
 - Clean the burner ports. Do this by inserting a paperclip into each of the burner ports to ensure they are not clogged.



WARNING: Make sure the burner is off and the gas supply has been properly disconnected. Allow 15 minutes for unit to cool before touching it.

Troubleshooting and Burner Checks (continued)

Flame blow out

- High or gusting winds.
 - In case of gusty winds; increase flame to “HIGH” setting.
 - In case of high winds; it is not safe and you should not operate the fire feature during high winds.
- Low on gas.
 - Replace or refill the gas tank.
- The excess flow valve is tripped.
 - Refer to “sudden drop in gas flow or reduced flame height” section above.

Flame seems to lose heat in cold temperature below 50°F (propane model)

- Ice has built up on the outside of the propane cylinder because the vaporization process is too low.
 - Turn the control knob to “OFF” and close the valve on the propane cylinder. Replace it with a spare gas tank and resume burning. Store the spare gas tank in a well ventilated area, away from children.

Replacement Parts

Auto-Ignite Fire Features Replacement Parts

No.	Item number/description
1.	58105 – Replacement Auto-Ignite Flame Control System
2.	58113 – Replacement Auto-Ignite Battery Pack
3.	For any other components, please contact our customer service department

Warranty

ONE YEAR WARRANTY

Aquascape warrants that the fire feature will be free of manufacturing defects for one year from the date of purchase. Proof of purchase required. Warranty does not cover damage resulting from negligent handling, misuse, improper wiring, lighting, or lack of reasonable maintenance or care.

Fire features should only be installed and operated as instructions state, no modification will be warranted. Fire and water features should only be operated in freshwater conditions without corrosive chemicals like chlorine or bromine. If upon Aquascape’s inspection, product shows evidence of a manufacturing defect, Aquascape’s liability is limited, at Aquascape’s option, to the repair of the defect, replacement of the defective product, or refund of the original purchase price. The warranty excludes costs of labor, removal of product, shipping, and expenses related to the installation and re-installation of the product. All products that include plumbing (tubing, pumps, check valves) need to be properly drained and winterized otherwise warranty is null and void. No liability for loss or damage of any nature or kind, whether arising out of or from the use of the product, whether defective or not defective, is assumed by Aquascape, Inc. or its affiliates. Aquascape shall not be liable for any incidental, consequential, or other damages arising under the theory of law whatsoever.

PLEASE NOTE: Minor chipping, weather fading, water staining and non-structural hairline cracks are typical of the material of this product and are not covered under this warranty. Some color and texture variation is typical of material and finish for this product and is not covered under this warranty.

Cast concrete is a hand-finished process. As such, GFRC finishes will vary by unit. There will be a color variance of up to 15% in each unit. There may also be uneven texture or pattern as well as small holes in the surface caused by air or water trapped on the surface during casting. This is a normal trait of cast concrete and is not covered under warranty.

For more information about our company or products, please visit our website at aquascapeinc.com or call us at US (866) 877-6637 CAN (866) 766-3426



AUTO-IGNITE FIRE FEATURES

Faux Stone Fire Pit

Référence #58091

Fire and Water Spillway Bowl

Référence #58092

Fire and Water Stacked Slate Sphere Medium

Référence #58093





AVERTISSEMENTS DE SÉCURITÉ IMPORTANTS



Le symbole **AVERTISSEMENT** vous alertera de la possibilité de dommages, de blessures ou de mort si vous ne vous conformez pas aux avertissements qui les accompagnent. Le danger peut provenir de quelque chose de mécanique ou d'un choc électrique.



ATTENTION : POUR USAGE EXTÉRIEUR SEULEMENT

L'installation et l'entretien doivent être effectués par un installateur qualifié, une agence de service ou le fournisseur de gaz



ATTENTION :

Si les informations de ce manuel ne sont pas suivies à la lettre, un incendie ou une explosion peut en résulter et entraîner des dommages matériels, des blessures corporelles ou la mort.

Une installation, un réglage, une modification, un service ou un entretien incorrect peut entraîner des blessures ou des dommages matériels

Lisez attentivement les instructions d'installation, d'utilisation et d'entretien avant d'installer ou de réparer cet équipement

Conservez ces instructions pour référence ultérieure. Si vous assemblez cet appareil pour quelqu'un d'autre, donnez-lui ce manuel pour qu'il le lise et le garde pour référence ultérieure



ATTENTION :

Ne pas entreposer ni utiliser de l'essence ou d'autres vapeurs et liquides inflammables à proximité de cet appareil ou de tout autre appareil. Une bouteille de GPL non raccordée pour utilisation ne doit pas être entreposée à proximité de cet appareil ou de tout autre appareil



DANGER : RISQUE D'INCENDIE OU D'EXPLOSION

Si vous sentez du gaz :

1. Coupez le gaz relié à l'appareil
2. Éteignez toute flamme nue
3. Si l'odeur persiste, quittez immédiatement l'endroit
4. Après avoir quitté l'endroit, appelez votre fournisseur de gaz ou les pompiers

Le non-respect de ces instructions pourrait entraîner un incendie ou une explosion, ce qui pourrait causer des dommages matériels, des blessures corporelles ou la mort



DANGER



RISQUE LIÉ AU MONOXYDE DE CARBONE

Cet appareil peut produire du monoxyde de carbone sans qu'il y ait d'odeur. L'utiliser dans un espace clos peut vous tuer.

N'utilisez jamais cet appareil dans un espace clos tel qu'un camping-car, une tente, une voiture ou une maison

INSTALLATEUR : Laissez ce manuel avec l'appareil.
CONSOMMATEUR : Conservez ce manuel pour référence ultérieure.





Auto-Ignite Fire Features

Merci d'avoir choisi un Aquascape fonction de tir à allumage automatique.

Chez Aquascape, nous connectons les gens à l'eau comme le veut la nature. Depuis 1991, nous créons et testons sur le terrain des caractéristiques d'eau afin de vous fournir les produits les plus fiables et le meilleur rapport qualité-prix dans l'industrie de l'eau.



Faites disparaître le stress et excitez vos sens avec ces fonctions de feu à allumage automatique. Chaque kit comprend une commande d'allumage automatique système avec allumage par bouton-poussoir et contrôle de la flamme pour une conception sûre et facile à installer.

TABLE DES MATIÈRES

Avertissements	19
Introduction	20
Contenu	21
Informations de sécurité importantes	22
Instructions d'assemblage - Propane	26
Instructions d'assemblage - Gaz naturel ...	26
Installation du support à feu	28
Instructions de pré-utilisation	28
Instructions d'allumage.....	29
Entretien et nettoyage	29
Dépannage et vérifications du brûleur.....	30
Pièces de rechange	32
Informations sur la garantie	32

Communiquez avec nous

Pour plus de renseignements sur notre entreprise ou nos produits, veuillez vous rendre sur notre site Web aquascapeinc.com ou appeler le (866) 877-6637 (aux É.-U.) ou le (866) 766-3426 (au Canada).

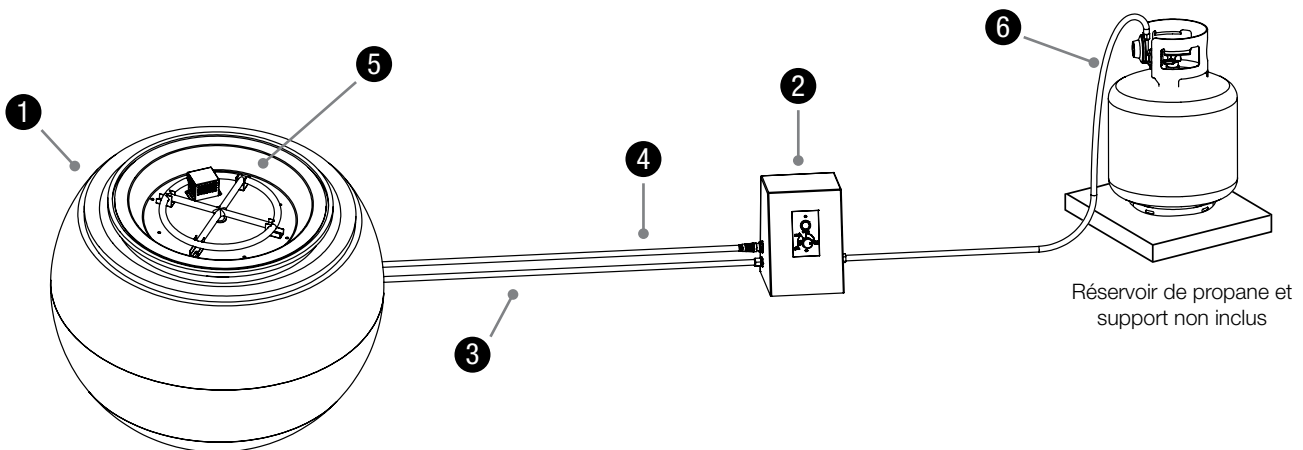
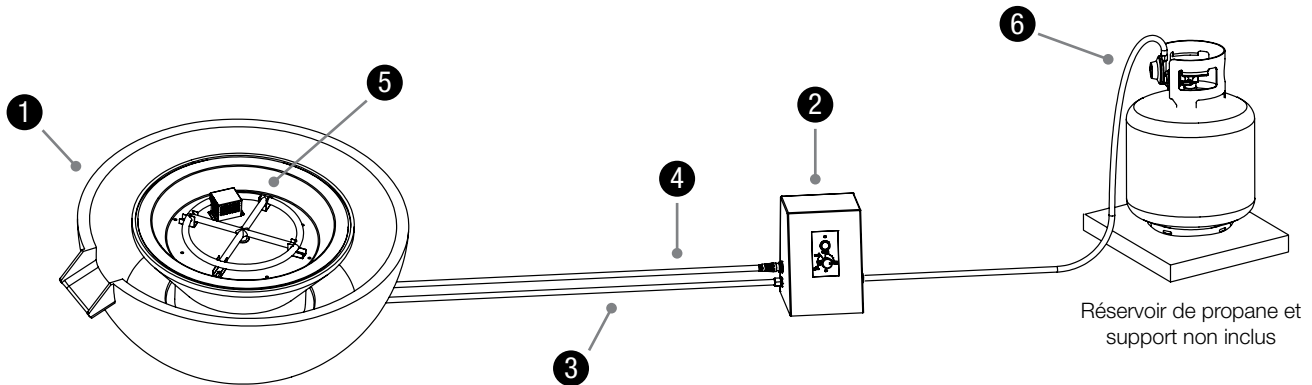
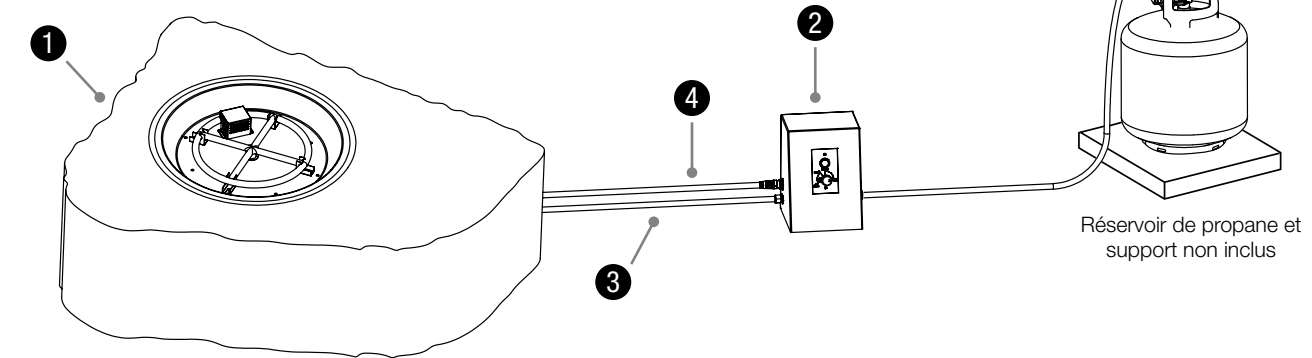
Rejoignez-nous sur :



facebook.com/aquascapeinc
youtube.com/aquascape4
pinterest.com/aquascapeinc

Contenu - #58091, #58092, #58093

N°	Description
	Faux Stone Fire Pit (#58091)
1.	Fire and Water Spillway Bowl (#58092)
	Fire and Water Stacked Slate Sphere Medium (#58093)
2.	Auto-Ignite Flame Control System
3.	Tuyau de gaz en caoutchouc - 3/8" x 10'
4.	Câble d'alimentation pour l'allumage automatique - 10'
5.	Tuyau d'eau en silicone (#58092 and #58093) (pas montré)
6.	Régulateur et tuyau de réservoir du propane - 3/8" x 10'
7.	Orifice de conversion de gaz naturel



Pour les pièces de rechange, appelez notre service à la clientèle 866 877-6637. Voir la page 16 de ce manuel.

Informations de sécurité importantes

AVIS IMPORTANT : Veuillez lire et comprendre tous les avertissements et toutes les précautions avant d'assembler et d'allumer votre foyer. Une installation, un réglage, une modification, un service ou un entretien incorrect peut entraîner des blessures ou des dommages matériels.

REMARQUE : Lorsqu'un appareil est configuré pour être raccordé à un système de tuyauterie fixe, l'installation doit être conforme aux codes locaux ou, en l'absence de codes locaux, au Code national du gaz combustible, ANSI Z223.1 • NFPA 54, au Code national du gaz combustible, au Code d'installation du gaz naturel et du propane, CSA B149.1 ou au Code de stockage et de manutention du propane, CSA B149.2, selon le cas.

NE PAS brûler de combustibles solides tels que : bois, briquettes de charbon de bois, charbon de bois en morceaux, bûches manufacturées, bois flotté, déchets, feuilles, papier, carton, contreplaqué, bois peint, teint ou traité sous pression dans cet appareil.



ATTENTION : Ce foyer est pour une utilisation extérieure **UNIQUEMENT**. L'installation et la réparation doivent être effectuées par un technicien qualifié. L'appareil doit être inspecté avant utilisation et au moins une fois par an par un technicien qualifié. Un nettoyage plus fréquent peut être nécessaire. Il est essentiel que le compartiment de commande, les brûleurs et les passages de circulation d'air de l'appareil soient maintenus propres.



ATTENTION : Le non-respect des dangers, des avertissements et des mises en garde de ce manuel peut entraîner des blessures corporelles graves, la mort, un incendie ou une explosion causant des dommages matériels.

Dégagement minimum de l'unité par rapport aux matériaux combustibles

61 po (155,4 cm) au-dessus, 48 po (121,9 cm) de tous les côtés et à l'arrière. Ne placez pas cet appareil sous une armoire suspendue.

- Les enfants et les adultes doivent être avisés des dangers liés aux températures de surface élevées et maintenus à une distance de sécurité pendant l'utilisation de ce foyer. Cet appareil ne doit pas être utilisé par des enfants.
- Les enfants en bas âge doivent être étroitement surveillés lorsqu'ils se trouvent à proximité de ce foyer.
- Ne pas suspendre ni placer de vêtements ou d'autres matériaux inflammables sur le foyer ou à proximité de ce dernier.
- Toute grille ou tout dispositif de protection qui a été retiré pour l'entretien de l'appareil doit être replacé avant son utilisation.
- Ce foyer doit être utilisé uniquement à l'extérieur dans un espace bien ventilé et ne doit pas être utilisé à l'intérieur d'un bâtiment, d'un garage ou de tout autre espace fermé.
- **NE PAS** utiliser ce foyer au gaz pour le chauffage intérieur. Les vapeurs toxiques de monoxyde de carbone peuvent s'accumuler et provoquer l'asphyxie.
- **NE PAS** utiliser de flamme pour vérifier s'il y a une fuite de gaz.
- **NE PAS** entreposer ni utiliser de l'essence ou d'autres vapeurs et liquides inflammables à moins de 25 pieds (7,62 m) de cet appareil ou de tout autre appareil.
- **NE PAS** entreposer de matériaux combustibles à l'intérieur du foyer ou sous celui-ci.
- **NE PAS** utiliser d'alcool ni de médicaments, sur ordonnance ou en vente libre, qui pourraient nuire à la capacité d'une personne à assembler correctement ou à utiliser en toute sécurité ce foyer.
- **NE PAS** laisser ce foyer à gaz sans surveillance pendant son utilisation.
- **NE PAS** peindre ni colorer aucune partie de cet appareil de chauffage.
- **NE PAS** utiliser ce foyer tant qu'il n'est pas complètement assemblé et que toutes les pièces ne sont pas solidement fixées et serrées.
- **NE PAS** entreposer un autre réservoir de propane à moins de 10 pieds (3,05 m) de ce foyer lorsqu'il est en fonctionnement.
- **NE PAS** utiliser ce foyer sous une structure suspendue ou à proximité de constructions combustibles non protégées. Évitez de l'utiliser près ou sous des arbres ou des arbustes en surplomb.
- **NE PAS** utiliser ce foyer si une de ses pièces a été sous l'eau. Appelez immédiatement un technicien qualifié pour inspecter et remplacer toute pièce qui a été sous l'eau.
- **NE PAS** porter de vêtements inflammables ou amples lors de l'utilisation de ce foyer.
- **NE PAS** utiliser dans des conditions venteuses.
- **NE PAS** tenter de déplacer ou de ranger ce foyer tant que toutes les pièces ne sont pas refroidies.
- **NE PAS** se pencher au-dessus de ce foyer lors de l'allumage ou de l'utilisation.
- **NE PAS** tenter de déconnecter le régulateur de gaz du réservoir ou de tout raccord de gaz pendant que le foyer est utilisé.
- **NE PAS** s'asseoir sur le manteau lorsque l'appareil est en marche.

- **NE PAS** jeter quoi que ce soit sur le feu lorsque l'appareil est en marche.
- Cet appareil ne doit jamais être utilisé par des enfants. Les enfants doivent être étroitement surveillés et tenus à distance de sécurité pendant l'utilisation de ce foyer.
- Ce foyer ne doit pas être installé ni utilisé dans ou sur des véhicules de loisirs ou des bateaux.
- **TOUJOURS** utiliser conformément à tous les codes locaux, provinciaux et nationaux applicables. Contactez votre service d'incendie local pour plus de détails sur les feux extérieurs.
- **TOUJOURS** utiliser ce foyer sur une surface dure, plane et non combustible telle que du béton, de la roche ou de la pierre. Une surface asphaltée ou noire peut ne pas être acceptable à cette fin. Des surfaces telles que la terre et l'herbe peuvent empêcher l'unité d'avoir une ventilation adéquate.
- **TOUJOURS** couper l'alimentation en gaz au niveau de la vanne du réservoir ou du raccord de gaz et débrancher le régulateur du réservoir lorsque le foyer n'est pas utilisé.
- **TOUJOURS** couper l'alimentation en gaz au niveau de la vanne du réservoir ou de l'alimentation principale en gaz lorsque le foyer n'est pas utilisé.
- Utilisez les mêmes précautions que pour tout feu en plein air lorsque vous utilisez ce foyer.
- Gardez tous les fils électriques éloignés d'un foyer chaud.
- Certaines zones de ce foyer deviendront trop chaudes pour être touchées lors de l'utilisation. Pour éviter les brûlures, ne touchez pas les surfaces chaudes tant que l'appareil n'a pas refroidi, sauf si vous portez des équipements de protection tels que des cache-pots isolés ou des gants ou des mitaines résistant à la chaleur pour éviter les brûlures.
- Utilisez uniquement le régulateur et le tuyau fournis. Le régulateur et le tuyau de remplacement doivent être ceux spécifiés par le fabricant.
- Le support à feu peut devenir très chaud; veuillez garder les enfants ou les animaux à distance de sécurité.
- Avant chaque opération, vérifiez le tuyau pour des signes d'abrasion ou d'usure en regardant à travers le trou de contrôle visuel. Si le tuyau est endommagé, fissuré ou coupé, il doit être remplacé avant d'utiliser le foyer. L'ensemble du tuyau ne peut être remplacé que par un ensemble de tuyau spécifié par le fabricant.
- Avant chaque utilisation, retirez le support à feu. Examinez le brûleur et ses composants. S'il est sale, nettoyez-le avec une brosse douce et une solution d'eau savonneuse. Examinez la zone autour du brûleur. Toute saleté ou tout corps étranger, comme les toiles d'araignées ou les nids dans cette zone doit être enlevé. Le brûleur doit être remplacé avant d'allumer l'appareil s'il est évident qu'il est endommagé et le brûleur de remplacement doit être celui spécifié par le fabricant.
- Placez le tuyau à un endroit où personne ne pourrait trébucher dessus. Ne pas placer le tuyau à un endroit où il pourrait être endommagé accidentellement

ATTENTION : Toute modification du foyer non indiquée précisément dans le manuel d'exploitation annulera la garantie du fabricant.

Important Safety Information (continued)

DANGERS ET AVERTISSEMENTS RELATIFS AU PROPANE ET AU GAZ NATUREL

- Le propane et le gaz naturel sont extrêmement inflammables, explosifs sous pression et dangereux s'ils ne sont pas manipulés correctement. Prenez connaissance des caractéristiques avant d'utiliser tout produit au propane ou au gaz naturel.
- Le gaz naturel est plus léger que l'air tandis que le propane est plus lourd que l'air et se dépose dans les piscines des zones basses.
- À l'état naturel, ni le propane ni le gaz naturel n'ont une odeur. Pour votre sécurité, une odeur a été ajoutée.
- Le contact avec du propane ou du gaz naturel peut brûler votre peau.

Avertissements relatifs au propane

- Les foyers au propane sont configurés pour fonctionner au propane uniquement. L'utilisation de gaz naturel entraînera une production excessive de carbone pendant la combustion.
- Les bouteilles de propane doivent être entreposées à l'extérieur dans un endroit bien ventilé, hors de portée des enfants.
- Les bouteilles déconnectées doivent avoir des bouchons filetés bien installés et ne doivent pas être entreposées dans un bâtiment, un garage ou tout autre endroit fermé.
- Ne jamais utiliser une bouteille de propane avec un corps, une valve, un collier ou une semelle endommagés.
- Les bouteilles de propane bosselées ou rouillées peuvent être dangereuses et doivent être vérifiées par votre fournisseur de gaz propane.
- Assurez-vous de n'utiliser qu'une seule bouteille de propane de 9,1 kg (20 lb) ainsi qu'une vanne de type 1 avec cet appareil, conformément aux exigences de l'American National Standards Institute (ANSI) et du Comité directeur des normes canadiennes. Seuls les réservoirs identifiés «propane» peuvent être utilisés.
- Le réservoir d'alimentation en propane doit être conçu et identifié conformément aux spécifications du U.S. Department of Transportation (D.O.T.) relatives aux bouteilles de propane ou à la norme pour les bouteilles, les sphères et les tubes pour le transport des matières dangereuses et les commissions, CAN / CSA-B339, s'il y a lieu. Il doit aussi être fourni avec un dispositif anti-débordement répertorié et muni d'un dispositif de raccordement de bouteille compatible avec le raccordement de l'appareil.
- Le réservoir de propane doit être conçu pour le retrait des vapeurs.
- Le réservoir de propane doit avoir un collier de réservoir pour protéger la valve du réservoir
- La bouteille de propane doit contenir un robinet d'arrêt tel que spécifié dans la norme pour le gaz comprimé.
- Raccord de sortie et d'entrée de la vanne de bouteille, ANSI / CGA-V-1-1977, CSA B96.
- Le réservoir de propane ne doit pas être échappé ou manipulé brutalement.
- Les réservoirs doivent être entreposés à l'extérieur, hors de la portée des enfants.
- **NE PAS** entreposer dans un bâtiment, un garage ou tout autre espace clos.
- Ne jamais entreposer votre réservoir de propane à un endroit où les températures peuvent dépasser 125 °F.
- **NE PAS** entreposer la bouteille de propane à la lumière directe du soleil ou à proximité d'une source de chaleur ou de combustion.
- **NE JAMAIS** garder un réservoir de propane rempli dans une voiture ou un coffre de voiture où il fait chaud. La chaleur augmentera la pression du gaz, ce qui peut ouvrir la soupape de décharge et permettre au gaz de s'échapper.
- Placez un capuchon anti-poussière sur la sortie de la valve chaque fois que le réservoir de propane n'est pas utilisé. Installez uniquement le type de capuchon anti-poussière qui est fourni avec la valve du réservoir de propane sur la sortie de la valve du réservoir de propane. Les autres types de bouchons ou de capuchons peuvent entraîner une fuite de propane.
 1. **NE PAS** entreposer une bouteille de propane de rechange sous ou près de cet appareil.
 2. **NE JAMAIS** remplir la bouteille de propane à plus de 80 %.
 3. Si les informations en (1) et (2) ne sont pas suivies à la lettre, un incendie causant la mort ou des blessures graves peut se produire.
- Les bouteilles de propane ne doivent être remplies que par un fournisseur de propane certifié.
- Le régulateur de pression est réglé pour 11 pouces de colonne d'eau (pression).
- La pression d'entrée maximale du gaz propane pour ce foyer extérieur est de 250 psi.
- La pression d'entrée minimale du gaz propane pour ce foyer extérieur est de 25 psi.
- **NE JAMAIS** tenter de fixer cet appareil au système autonome de propane d'un camping-car, d'un camping-car ou d'une maison.
- Toujours utiliser le régulateur de pression et le tuyau fournis avec l'appareil pour se connecter à une bouteille de propane. Ne jamais se connecter à une alimentation en propane non réglementée
- Tourner à la main la vanne de régulation manuelle du gaz. Ne jamais utiliser un outil. Si la valve ne tourne pas à la main, ne pas tenter de la réparer. Contactez un technicien en gaz certifié. L'utilisation de la force ou toute tentative d'auto-réparation peut entraîner un incendie ou une explosion.

Avvertissements relatifs au gaz naturel

- Les foyers au gaz naturel sont configurés pour fonctionner uniquement au gaz naturel, à une pression de sept pouces de colonne d'eau. Vérifiez auprès de votre fournisseur de gaz la pression de gaz locale, car dans certaines régions, la pression du gaz naturel varie. Consultez également votre compagnie de gaz ou les codes du bâtiment locaux pour obtenir des instructions sur l'installation de la conduite d'alimentation en gaz ou appelez un installateur agréé et qualifié.
- La pression d'entrée maximale du gaz naturel pour ce foyer extérieur est de 10,5 po.
- La pression d'entrée minimale du gaz naturel pour ce foyer extérieur est de 10,5 po.
- Il est recommandé d'installer une valve à arrêt manuel MARCHE / ARRÊT à la source d'alimentation en gaz:
 - À l'extérieur : après la sortie de la conduite de gaz du mur extérieur et avant la déconnexion rapide ou avant que la conduite d'alimentation en gaz n'entre dans le sol.
 - À l'intérieur : dans la conduite de gaz secondaire dans un endroit accessible à proximité de la conduite d'alimentation en gaz.
- Un composé d'étanchéité pour tuyaux ou un ruban pour filetage de tuyau résistant à l'action du gaz naturel doit être utilisé sur tous les filetages mâles. Appliquez du composé ou du ruban adhésif au moins sur les trois à quatre premiers fils lors de la connexion.
- Ne jamais entreposer ni utiliser d'essence ou d'autres substances volatiles à proximité de ce foyer.

ASSEMBLAGE ET REMPLACEMENT DU TUYAU ET DU RÉGULATEUR

1. Ce foyer est équipé d'un tuyau et d'un régulateur de gaz GPL standard, y compris d'un raccordement côté appareil pour un dispositif de connexion de bouteille CGA No 791. Il est essentiel d'utiliser le tuyau et le régulateur de GPL fournis avec ce foyer. Seuls un tuyau et un régulateur spécifiés par le fabricant peuvent être utilisés pour le remplacement.
 - a. La connexion CGA No 791 intègre un limiteur de débit magnétique qui agit pour limiter le débit de gaz si une fuite est détectée entre le régulateur et la vanne du brûleur.
 - b. Si la soupape du brûleur est ouverte avant l'ouverture de la soupape de service de la bouteille de GPL, la connexion interprétera ce libre écoulement de gaz comme une fuite.
 - c. La fonction de sécurité de connexion réduira le débit de gaz du régulateur à l'appareil à un niveau minimal.
 - d. Assurez-vous que la soupape de commande du brûleur est fermée avant d'ouvrir la soupape de service de la bouteille de GPL pour garantir que le dispositif de limitation de débit de raccordement ne se déclenche pas par erreur.
 - e. Si le limiteur de débit de connexion est déclenché par erreur, fermer la vanne de service de la bouteille de GPL et la vanne du brûleur, attendre 10 secondes pour permettre à l'appareil de se réinitialiser, ouvrir la vanne de service de la bouteille, puis ouvrir la vanne du brûleur et allumer selon les instructions d'allumage.
2. Assurez-vous de protéger le tuyau de toute surface chaude. Un danger grave peut survenir si le tuyau entre en contact avec une surface chaude.
3. Entretien régulier du tuyau et du régulateur:
 - a. Inspectez le tuyau avant chaque utilisation du foyer. Si le tuyau présente des signes de fissures, d'abrasion, de coupure ou de dommage de quelque nature que ce soit, ne pas utiliser l'appareil. Réparez ou remplacez le tuyau selon les besoins avant d'utiliser l'appareil. Pour obtenir de l'aide concernant la réparation ou le remplacement du tuyau, appelez votre fournisseur de gaz. Utilisez uniquement des pièces de rechange du fabricant.
 - b. Inspectez le joint à l'intérieur de la soupape de service CGA No 791 sur la bouteille de GPL lors du remplacement de la bouteille ou au moins une fois par an. S'il y a des signes de dommages, faire remplacer le joint par un revendeur de gaz certifié avant d'utiliser l'appareil.
4. Ne pas utiliser d'outils pour serrer l'écrou de connexion CGA No 791 sur la vanne de service de la bouteille de GPL. Serrez à la main uniquement.
5. Faites attention à ne pas croiser les filetages sur la connexion lorsque vous serrez la connexion CGA No 791 sur la vanne de service de la bouteille de GPL.
6. Un test de fuite doit toujours être effectué après avoir raccordé la connexion à la vanne de service de la bouteille de GPL (voir la section Recherche de fuites de ce manuel à la page 12).
7. Pour le raccordement du tuyau et du régulateur au réservoir de GPL, reportez-vous à la section Assemblage du tuyau et du régulateur ci-dessus

Avvertissements relatifs au support à feu

1. Ne pas allumer ni utiliser ce foyer si le support à feu est mouillé. Assurez-vous que le support à feu est complètement sec avant l'allumage. Une chaleur intense peut faire exploser les supports à feu humides. Ceux-ci pourraient heurter quelqu'un et causer des blessures.
2. Restez à l'écart du foyer pendant au moins 20 minutes lors de la mise en marche initiale, car les supports à feu pourraient retenir une certaine humidité à la suite de la fabrication et de l'expédition.

Instructions d'assemblage - Propane

Installation des piles

- Retirez la plaque arrière de la batterie située au bas du système de contrôle du Auto-Ignite Flame Control System et installez 8 piles AA comme indiqué (Ex. 1). Réinstallez solidement la plaque arrière, ne pas trop serrer.

Positionnement du réservoir de propane

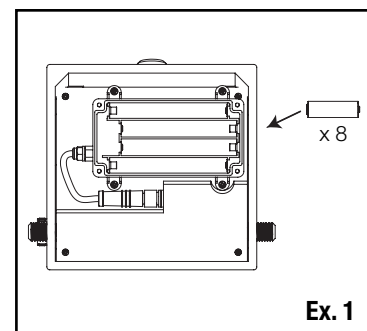
- Placez le réservoir de propane à au moins 60po (152,4 cm) du foyer (Ex. 2).

Connexion du système de contrôle de la flamme

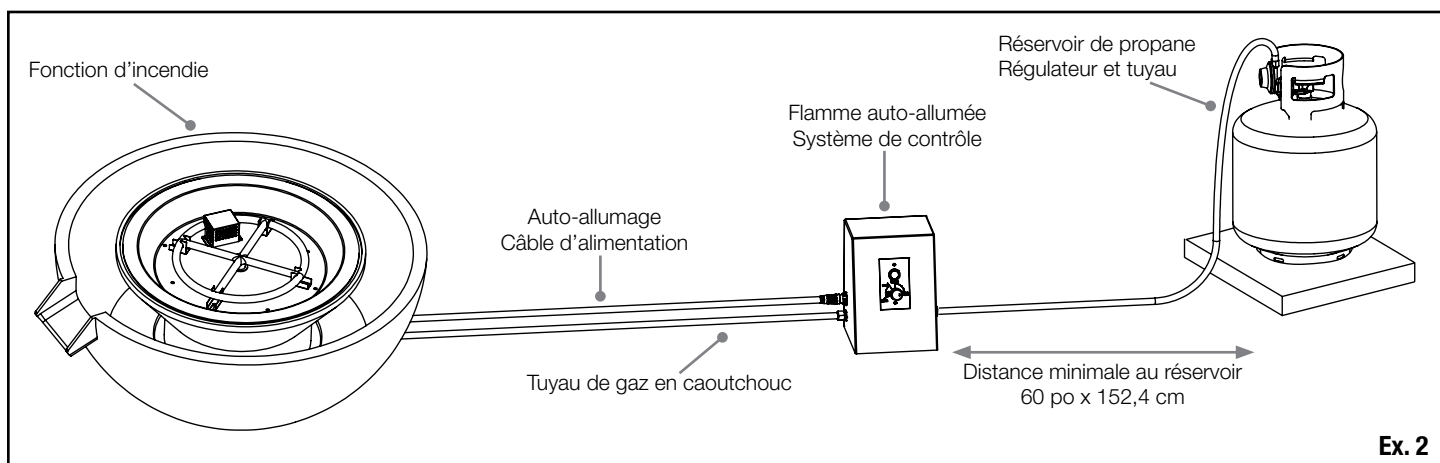
- Le foyer Asquascape comprend un tuyau de gaz de 10 pieds (3 m) pré-attaché au bas du système de brûleur. Branchez l'extrémité opposée du tuyau de gaz à la connexion évasée de 3/8po sur le système de contrôle de la flamme comme illustré (Ex. 2). Après avoir effectué toutes les connexions, effectuez un test de fuite comme décrit à la page 12 de ce manuel.

REMARQUE : Ne pas utiliser de composé pour tuyaux ou de ruban Téflon PTFE sur les raccords de gaz de torche.

- Le foyer Asquascape comprend un câble d'alimentation de 10 pieds (3 m) pré-attaché au bas du système de brûleur. Branchez l'extrémité opposée du câble au système de contrôle de la flamme comme illustré, en l'insérant complètement avant de serrer le collier à la main (Ex. 2).



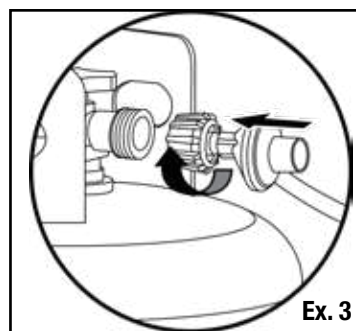
Ex. 1



Ex. 2

Connexion du réservoir de propane

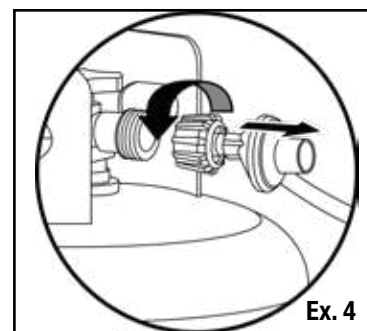
- Assurez-vous qu'il n'y a pas de débris dans la tête du réservoir de propane ou dans la tête de la vanne de régulation. Assurez-vous de vérifier également les orifices du brûleur et le brûleur. Branchez la conduite de gaz au réservoir en tournant le bouton dans le sens des aiguilles d'une montre (serrez à la main uniquement) (Ex. 3).



Ex. 3

Déconnexion du réservoir de propane

- Assurez-vous que la vanne du réservoir de propane est fermée. Déconnectez en tournant le bouton dans le sens antihoraire jusqu'à ce qu'il se détache de la vanne (Ex. 4).



Ex. 4

Instructions d'assemblage - Gaz naturel

Conversion du propane au gaz naturel

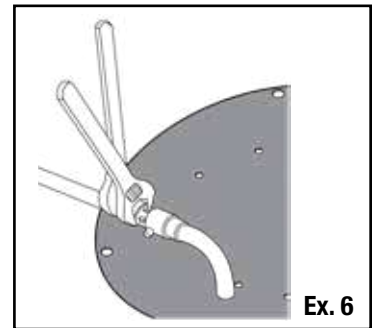
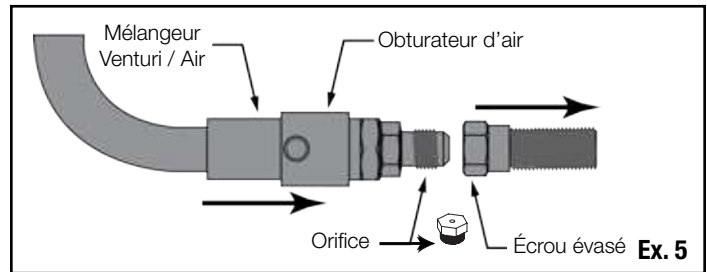


ATTENTION : Cette conversion doit être installée par une agence de service qualifiée conformément aux instructions du fabricant et à tous les codes et exigences applicables de l'autorité compétente. Si les informations de ces instructions ne sont pas suivies à la lettre, un incendie, une explosion ou la production de monoxyde de carbone peut en résulter et entraîner des dommages matériels, des blessures corporelles ou la mort. L'agence de service qualifiée est responsable de l'installation correcte de cet ensemble. L'installation n'est pas adéquate et complète tant que le fonctionnement de l'appareil converti n'a pas été vérifié comme précisé dans les instructions du fabricant fournies avec l'ensemble. L'appareil doit être isolé du système de tuyauterie d'alimentation en gaz en fermant sa vanne d'arrêt manuelle individuelle pendant tout test de pression du système de tuyauterie à des pressions de test égales ou inférieures à 1/2 psi (3,5 kPa).

- Ce foyer peut être utilisé avec du propane ou du gaz naturel. Ce foyer est ajusté et expédié pour une utilisation avec du gaz propane. Pour convertir au gaz naturel, utilisez UNIQUEMENT l'orifice de gaz naturel inclus avec l'ensemble.

MISE EN GARDE : Avant de convertir le foyer, assurez-vous que l'alimentation en gaz est coupée et que le câble d'alimentation est débranché.

1. Ajustez l'obturateur d'air en position fermée (aucune lumière visible à travers l'obturateur) en desserrant la petite vis sur le mélangeur d'air et en le tournant en position fermée et en resserrant la vis (Ex. 5).
2. Desserrez et retirez l'écrou évasé et l'orifice de propane avec deux clés (Ex. 5 & 6).
3. Localisez l'orifice de gaz naturel et installez-le solidement dans la même position que l'orifice de propane retiré.
4. Placez toutes les marques fournies dans l'ensemble à l'emplacement approprié sur l'appareil converti. Apposez le marquage de conversion aussi près que possible de la plaque signalétique existante.
5. Effectuez un test d'étanchéité approprié de l'appareil converti avant de le mettre en service. Voir la section Recherche de fuites de ce manuel à la page 12. Les foyers au gaz naturel sont configurés pour fonctionner uniquement au gaz naturel, à une pression de sept pouces de colonne d'eau. Vérifiez auprès de votre fournisseur de gaz la pression de gaz locale. La puissance nominale d'entrée de gaz naturel est de 60000 BTU / h (17.58 kW / h).
6. Après l'allumage, tournez le bouton de commande du brûleur dans le sens inverse des aiguilles d'une montre jusqu'au réglage BAS. Observez la flamme et assurez-vous que tous les orifices du brûleur sont allumés. La hauteur de la flamme ne doit pas dépasser 15-21 pouces de hauteur.

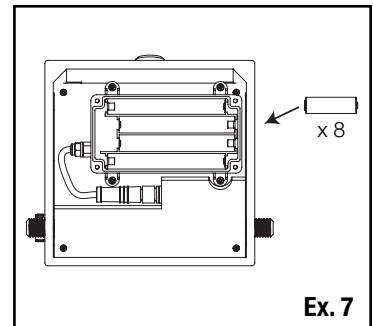


Installation des piles

- Localisez la batterie au bas du système de contrôle de la flamme. Retirez la plaque arrière de la batterie et installez 8 piles AA comme indiqué (Ex. 7). Réinstaller solidement la plaque arrière, ne pas trop serrer.

Connexion du système de contrôle de la flamme

- Le foyer Asquascape comprend un tuyau de gaz de 10 pieds (3 m) pré-attaché au bas du système de brûleur. Branchez l'extrémité opposée du tuyau de gaz à la connexion évasée de 3/8 po sur le système de contrôle de la flamme comme illustré (Ex. 8). Après avoir effectué toutes les connexions, effectuez un test de fuite comme décrit à la page 12 de ce manuel.

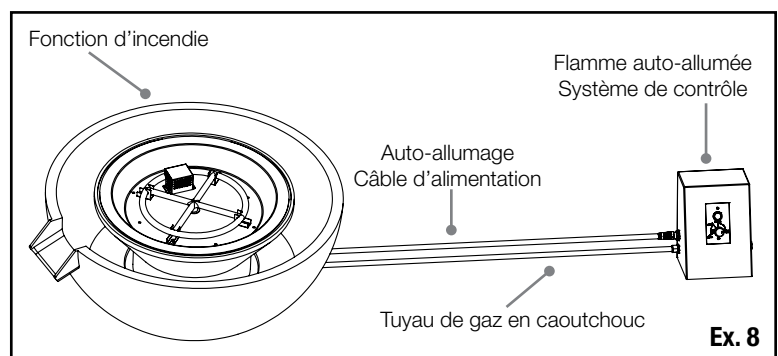


REMARQUE : Ne pas utiliser de composé pour tuyaux ou de ruban Téflon PTFE sur les raccords de gaz de torche.

- Le foyer Asquascape comprend un câble d'alimentation de 10 pieds (3 m) pré-attaché au bas du système de brûleur. Connectez l'extrémité opposée du câble au système de contrôle de la flamme comme illustré, en l'insérant complètement avant de serrer le collier à la main (Ex. 8).

Connexion de votre dispositif d'incendie à la source de gaz naturel

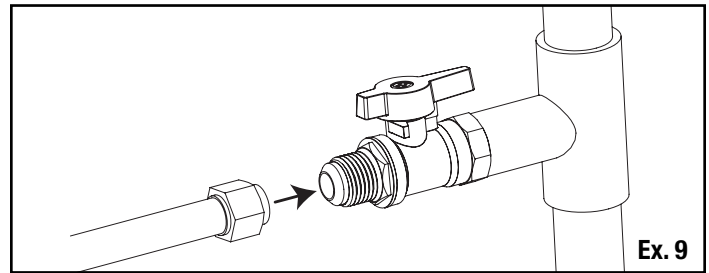
- Une vanne d'arrêt installée comme indiqué par un professionnel est requise, comme recommandé par le National Fuel Gas Code, enduire les filetages à l'aide d'un composé pour tuyaux résistant aux gaz ou d'un ruban Téflon PTFE approuvé. La connexion doit être effectuée à l'extérieur.



Instructions d'assemblage - Gaz naturel (suite)

Connexion de la prise

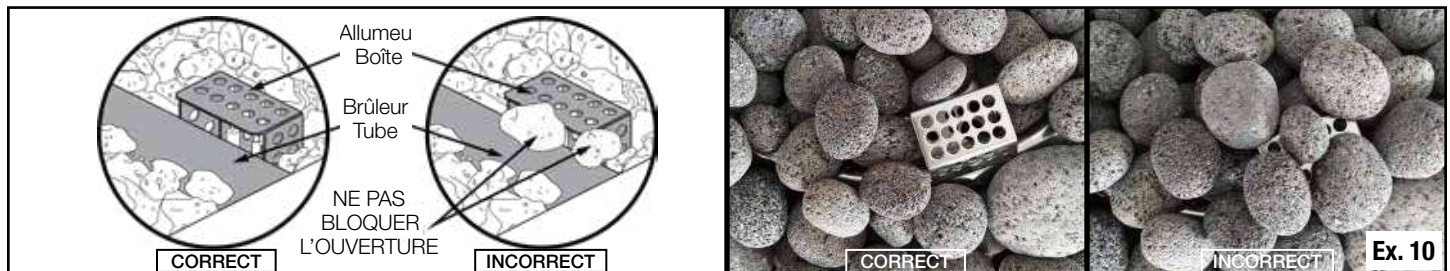
- Branchez le tuyau de gaz à la vanne d'arrêt (Ex. 9) et serrez à l'aide d'une clé. Après avoir effectué toutes les connexions, effectuez un test de fuite comme décrit ci-bas.
- Assurez-vous de suivre tous les codes et toutes les exigences applicables de l'autorité compétente.



Installation du support à feu

- Placez la pierre de lave ou le verre à feu à la main. NE PAS vider le sac dans le plateau pour éviter d'obstruer le brûleur avec de la poussière.
- Placez le support à pas plus de 1/2 po au-dessus du haut de l'anneau du brûleur.
- Assurez-vous de ne pas bloquer la boîte d'allumage avec de la pierre de lave pour assurer un bon allumage (Ex. 10).

REMARQUE : NE PAS mélanger ou empiler plusieurs types de supports à feu dans le plateau du brûleur.



Instructions de pré-utilisation



ATTENTION : Avant d'utiliser ce foyer, assurez-vous d'avoir lu, compris et suivi toutes les informations fournies dans la section sur la sécurité Informations importantes de ce manuel. Le non-respect de ces instructions peut entraîner la mort, des blessures graves ou des dommages matériels.

- Avant chaque fonctionnement du foyer, vérifiez le tuyau et la vanne pour détecter toute trace d'usure excessive ou de dommages. Remplacez les tuyaux endommagés ou usés avant d'utiliser le foyer.
- Assurez-vous que la vanne de régulation et les raccords de tuyau sont solidement fixés à la fonction, au système de commande et au réservoir. Si votre appareil a été assemblé pour vous, vérifiez visuellement toutes les connexions.



ATTENTION : Le fait de ne pas inspecter cette connexion ou de ne pas suivre ces instructions peut provoquer un incendie ou une explosion pouvant entraîner la mort, des blessures graves ou des dommages matériels.

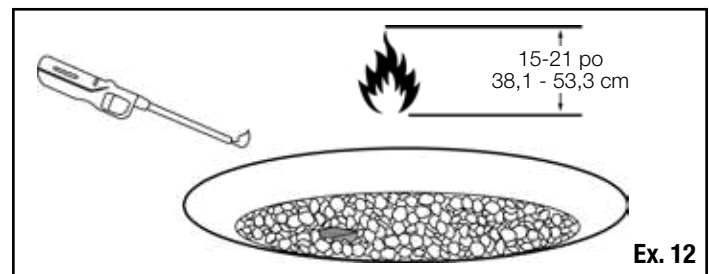
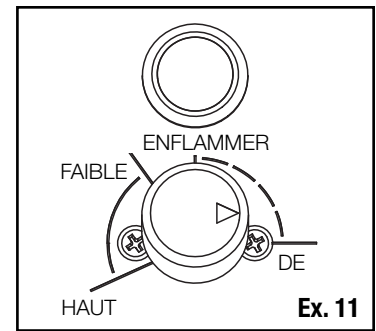
- Si des connexions ne sont pas solidement fixées, veuillez contacter votre fournisseur de gaz pour obtenir de l'aide.

Recherche de fuites

- Utilisez un détecteur de fuites ou une solution de contrôle des fuites pour vérifier qu'il n'y a aucune fuite à aucune des connexions.
- Si une fuite est détectée, éteignez le gaz, reconnectez-le et recommencez le test.
- Si vous détectez toujours une fuite, coupez le gaz et contactez votre fournisseur de gaz.

Instructions d'allumage

1. Le fait de ne pas effectuer correctement l'allumage comme indiqué dans ces instructions peut entraîner un danger. Lisez et comprenez toutes les instructions d'utilisation avant d'allumer. Assurez-vous que tout le film protecteur a été retiré avant l'allumage.
2. Le bouton de commande du brûleur doit être en position ARRÊT (Ex. 11).
3. **Propane** : Connectez la bouteille de propane (voir pages précédentes) et ouvrez lentement la valve de la bouteille de propane. **Gaz naturel** : Ouvrez la valve d'arrêt de gaz naturel.
4. Poussez et tournez le bouton de commande sur la position ALLUMER. Maintenez le bouton de commande enfoncé et appuyez sur le bouton jusqu'à ce que le brûleur s'allume. Si le brûleur ne s'allume pas après 30 secondes, mettez-le en position ARRÊT et recommencez les étapes 4-6. Si le brûleur ne s'allume toujours pas, reportez-vous à la section Dépannage et vérification du brûleur à la page 14.
5. Maintenez le bouton de commande du brûleur enfoncé pendant 4 à 30 secondes après l'allumage. Le fait de tenir le bouton permet au capteur thermocouple dans le boîtier d'allumage de devenir suffisamment chaud pour que le gaz continue de circuler vers la fonction (fonction de sécurité).
6. Si la flamme ne reste pas allumée après avoir maintenu le bouton enfoncé pendant 30 secondes, tournez le bouton de commande en position ARRÊT et coupez le gaz à la source, attendez 5 minutes jusqu'à ce que le gaz se soit dissipé et répétez la procédure d'allumage. Si la flamme ne tient pas après avoir réessayé la procédure d'allumage, reportez-vous à la section de dépannage.
7. Après l'allumage, tournez le bouton de commande dans le sens inverse des aiguilles d'une montre jusqu'au réglage ARRÊT. Observez la flamme et assurez-vous que tous les orifices du brûleur sont allumés. La hauteur de la flamme ne doit pas dépasser 15-21 pouces de hauteur (Ex. 12).
8. Réglez la flamme à la hauteur désirée avec le bouton de commande.



ATTENTION : La pierre de lave et les autres supports à feu sont des produits naturels. L'eau peut y être restée piégée au fil du temps et se transforme en vapeur lorsqu'elle est chauffée, faisant éclater les roches et envoyer des roches chaudes voler. Lorsque vous allumez pour la première fois votre nouvelle fonction incendie, gardez les personnes et les meubles rembourrés à au moins 15 pieds pendant les 20 premières minutes pour éviter les blessures et les dommages.



ATTENTION : Si la flamme du brûleur s'éteint pendant le fonctionnement, tournez immédiatement le bouton de commande sur ARRÊT et laissez le gaz se dissiper pendant au moins 5 minutes avant d'essayer de rallumer.

- Veuillez vous reporter aux pages de dépannage pour une assistance supplémentaire, à partir de la page 14.

Entretien et nettoyage

Inspection

- Ce foyer doit être inspecté régulièrement pour s'assurer que le produit peut être utilisé en toute sécurité et pour prolonger la durée de vie du produit.



ATTENTION : NE PAS inspecter ce foyer tant que le feu n'est pas COMPLÈTEMENT éteint et qu'il n'est pas refroidi au toucher.

1. Vérifiez le brûleur pour vous assurer qu'il est bien en place.
2. Vérifiez le mélangeur venturi / air et les autres passages pour vous assurer qu'ils sont vides et exempts d'insectes, de nids d'araignées et d'autres débris.
3. Vérifiez toutes les connexions de gaz pour les fuites.
4. Vérifiez le système d'allumage pour assurer une bonne étincelle.
5. Vérifiez les composants pour tout signe de dommage, de rouille ou d'usure excessive.
6. Si un composant est endommagé, n'utilisez pas l'appareil tant que les réparations appropriées n'ont pas été effectuées.

Entretien et nettoyage (suite)



ATTENTION : NE PAS altérer cet appareil. Ceci est dangereux et annulera la garantie. Toute pièce défectueuse doit être remplacée par une pièce approuvée, confirmée par le fabricant. Pour une assistance technique, contactez votre fournisseur de gaz.

Entretien général et nettoyage

- Ce foyer doit être nettoyé régulièrement pour garantir une utilisation sûre et prolonger sa durée de vie.

REMARQUE : Après utilisation, une légère décoloration des finitions peut se produire.

- Corps du foyer
 - Essuyez les surfaces extérieures avec une éponge douce et de l'eau tiède.
- Pièces en acier inoxydable
 1. Pour le nettoyage général, utilisez de l'eau tiède, du savon, de l'ammoniaque ou un détergent appliqué avec un chiffon doux ou une éponge.
 2. Pour les empreintes digitales ou les traces, utilisez un nettoyant pour vitres puissant.
 3. Pour les taches tenaces et la décoloration, utilisez un nettoyant et un poli pour acier inoxydable.

Rangement



ATTENTION : NE PAS déplacer ou entreposer ce foyer tant que le feu n'est pas complètement éteint et qu'il n'est pas refroidi au toucher

1. Coupez le gaz à la source. Si vous utilisez du propane, retirez le réservoir et entreposez-le dans un endroit frais et sec, à l'extérieur, hors de la portée des enfants.
2. Retirez soigneusement le support et entreposez les composants à plat pour les protéger des dommages.
3. Couvrez toujours le foyer lorsqu'il n'est pas utilisé.
4. Entreposez dans un endroit frais et sec, loin des enfants et des animaux domestiques.

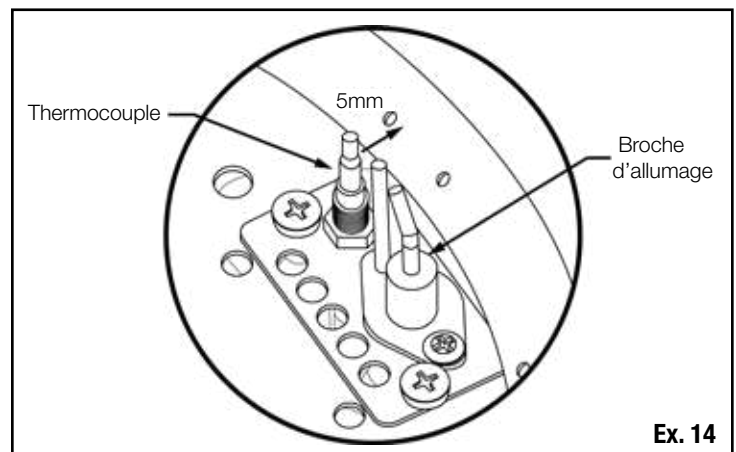
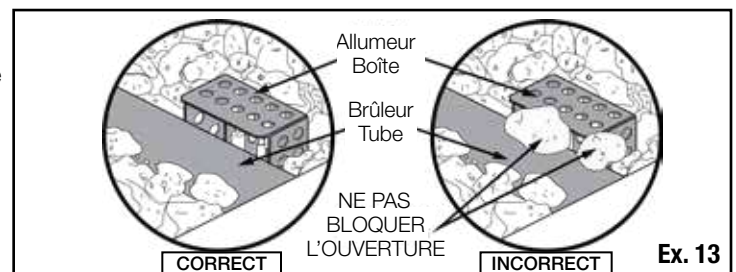
Dépannage et vérifications du brûleur

Si le brûleur ne s'allume pas ou ne reste pas allumé, veuillez effectuer les vérifications suivantes:

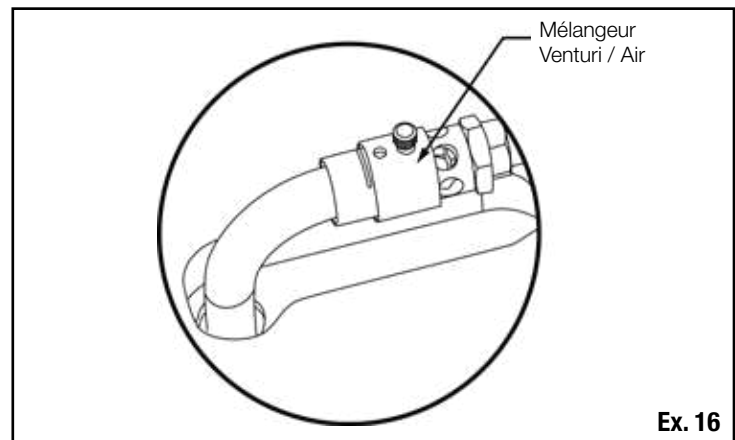
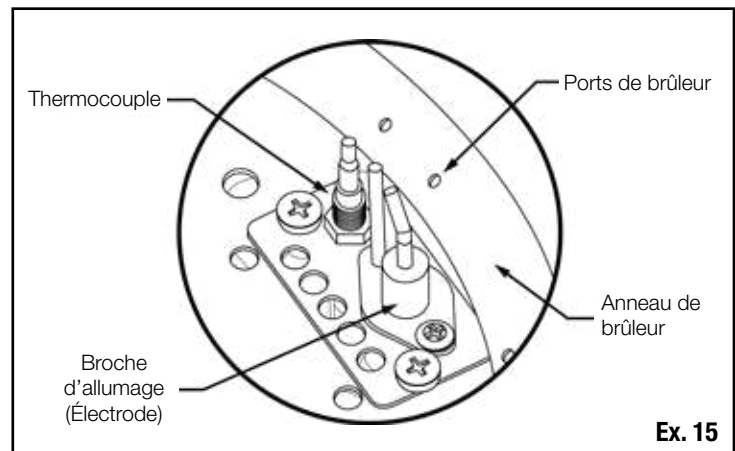
1. Assurez-vous que le câble d'alimentation est correctement connecté.
2. Assurez-vous que la boîte d'allumage n'est pas obstruée. Retirez tous les débris sur le dessus et assurez-vous qu'il n'y a pas de débris entre la broche d'allumage, le thermocouple et le tube du brûleur (Ex. 13 & 14).
3. Assurez-vous que la goupille d'allumage et le thermocouple sont correctement positionnés.
 - La goupille d'allumage doit être dirigée directement vers le thermocouple (Ex. 14).
 - Le thermocouple doit être placé à 5 mm du tube du brûleur (Ex. 14).

Le brûleur ne s'allume toujours pas

- L'électrode et les brûleurs sont humides.
 - Essuyez avec un chiffon.
- Les piles de l'allumeur sont épuisées ou à l'envers.
 - Vérifiez que les piles sont correctement insérées dans le système de contrôle de la flamme (voir page 10) ou remplacez les piles.
- La goupille d'allumage est fissurée ou cassée (étincelle à la fissure).
 - Appelez votre fournisseur de gaz pour une assistance technique.



- Un fil est desserré ou déconnecté.
 - Appelez votre fournisseur de gaz.
- Le fil fait un court-circuit (étincelle) entre l'allumeur et l'électrode.
 - Appelez votre fournisseur de gaz pour obtenir de l'aide.
- La goupille d'allumage ne pointe pas vers le thermocouple.
 - Tournez l'électrode pour qu'elle pointe vers le thermocouple (Ex. 15).
- Allumeur défectueux.
 - Appelez votre fournisseur de gaz pour obtenir de l'aide.
- Pas de débit de gaz.
 - Vérifiez si la bouteille de gaz est vide. Si elle est vide, remplacez-la ou remplissez-la. Si la bouteille de gaz n'est pas vide, reportez-vous à la section Chute soudaine du débit de gaz ou hauteur de flamme réduite ci-dessous.
- L'écrou d'accouplement et le régulateur ne sont pas entièrement connectés.
 - Tournez l'écrou d'accouplement d'environ un demi à trois quarts de tour, jusqu'à ce que vous sentiez un arrêt solide. Ne pas utiliser d'outils, serrez uniquement à la main.
- Obstruction du flux de gaz.
 - Vérifiez que le tuyau n'est pas tordu ou plié.
- Toiles d'araignées ou nid d'insectes dans le mélangeur d'air / venturi.
 - Nettoyez le mélangeur venturi / air (Ex. 16).
- Les orifices du brûleur sont obstrués ou bloqués.
 - Reportez-vous à la section Flamme irrégulière ci-dessous. Nettoyez les orifices du brûleur comme recommandé.



Émet de la fumée noire lors de son utilisation

- Le tuyau d'alimentation du foyer est pincé.
 - Assurez-vous que le tuyau n'est pas pincé entre le foyer et la source de gaz.
- La flamme est obstruée aux orifices du brûleur.
 - Assurez-vous que les orifices de gaz sur le brûleur sont libres de toute obstruction afin que la flamme puisse circuler naturellement.

Chute soudaine du débit de gaz ou hauteur de flamme réduite

- Panne d'essence.
 - Propane : remplir ou remplacer la bouteille de gaz.
 - Gaz : appelez votre compagnie de gaz locale.
- Le dispositif de sécurité contre l'excès de débit peut avoir été activé.
 - Tournez le bouton de commande sur ARRÊT, attendez 30 secondes et allumez le foyer. Si la flamme est encore trop faible, réinitialisez le dispositif de sécurité de débit excessif en désactivant le bouton de commande et l'alimentation en gaz. Déconnectez-vous de la source de gaz. Tournez le bouton de commande du brûleur sur HAUT. Attendez 1 minute, puis tournez le bouton de commande du brûleur sur ARRÊT. Rebranchez la source de gaz et effectuez une vérification des fuites au niveau du raccordement de gaz. Ouvrez lentement la valve de gaz, attendez 30 secondes, puis allumez le foyer.

Flamme irrégulière (la flamme ne parcourt pas toute la longueur du brûleur)

- Les orifices du brûleur sont obstrués ou bloqués.
 - Nettoyez les orifices du brûleur. Pour ce faire, insérez un trombone dans chacun des orifices du brûleur pour vous assurer qu'ils ne sont pas obstrués.



ATTENTION : Assurez-vous que le brûleur est éteint et que l'alimentation en gaz a été correctement déconnectée. Attendez 15 minutes pour que l'appareil refroidisse avant de le toucher.

Dépannage et vérifications du brûleur (suite)

Flamme éteinte

- Vents forts ou rafales.
 - En cas de vent en rafales, augmentez la flamme au réglage HAUT.
 - En cas de vents violents, ce n'est pas sécuritaire d'utiliser le foyer et vous ne devez pas l'utiliser.
- Faible niveau de gaz.
 - Remplacez ou remplissez le réservoir d'essence.
- Le limiteur de débit est déclenché.
 - Reportez-vous à la section Chute soudaine du débit de gaz ou de la hauteur de flamme réduite ci-dessus.

La flamme semble perdre de la chaleur à une température froide inférieure à 50 °F (modèle au propane)

- De la glace s'est accumulée à l'extérieur de la bouteille de propane parce que le processus de vaporisation est trop lent.
 - Tournez le bouton de commande sur ARRÊT et fermez la valve de la bouteille de propane. Remplacez par un réservoir d'essence de rechange et reprenez la combustion. Entreposez le réservoir d'essence de rechange dans un endroit bien ventilé, hors de portée des enfants.

Pièces de rechange

Auto-Ignite Fire Features Pièces de rechange

N°	Référence/description
1.	58105 – Système de contrôle de la flamme à allumage automatique de remplacement
2.	58113 – Batterie de remplacement à allumage automatique
3.	Pour tout autre composant, veuillez contacter notre service à la clientèle

Informations sur la garantie

GARANTIE UN AN

Aquascape garantit que le foyer sera exempt de défauts de fabrication pendant un an à compter de la date d'achat. Preuve d'achat requise. La garantie ne couvre pas les dommages résultant d'une manipulation négligente, d'une mauvaise utilisation, d'un câblage incorrect, de la foudre, ni d'un manque d'entretien ou de soins raisonnables.

Les foyers doivent être installés et utilisés uniquement conformément aux instructions, aucune modification ne sera garantie. Les foyers et les fontaines ne doivent être utilisés qu'avec de l'eau douce sans produits chimiques corrosifs comme le chlore ou le brome. Si lors de l'inspection d'Aquascape, il y a un défaut de fabrication, la responsabilité d'Aquascape est limitée, au choix d'Aquascape, à la réparation du défaut, au remplacement du produit défectueux ou au remboursement du prix d'achat initial. La garantie exclut les coûts de main-d'œuvre, le retrait du produit, l'expédition et les dépenses liées à l'installation et à la réinstallation du produit. Tous les produits qui incluent la plomberie (tubes, pompes, clapets anti-retour) doivent être correctement drainés et hivernés, sinon la garantie est nulle et non avenue. Aucune responsabilité pour la perte ou les dommages de toute nature, qu'ils résultent du produit ou de son utilisation, qu'il soit défectueux ou non, n'est assumée par Aquascape, Inc. Et ses affiliés. Aquascape ne sera pas responsable des dommages accessoires, consécutifs ou autres découlant de quelque théorie du droit que ce soit.

VEUILLEZ NOTER QUE : Des écailllements mineurs, des décolorations dues aux intempéries, des taches d'eau et des fissures non structurelles sont typiques du matériau de ce produit et ne sont pas couverts par cette garantie. Certaines variations de couleur et de texture sont typiques du matériau et de la finition de ce produit et ne sont pas couvertes par cette garantie.

Le béton coulé est un processus fini à la main. Ainsi, les finitions GFRC varieront selon l'unité. Il y aura une variance de couleur allant jusqu'à 15 % dans chaque unité. Il peut également y avoir une texture ou un motif irrégulier ainsi que de petits trous dans la surface causés par l'air ou l'eau emprisonnés sur la surface pendant la coulée. Ceci est une caractéristique normale du béton coulé et n'est pas couvert par la garantie.

Pour plus de renseignements sur notre entreprise ou nos produits, veuillez vous rendre sur notre site Web.aquascapeinc.com ou nous appeler au (866) 877-6637 (aux É.-U.) ou au (866) 766-3426 (au Canada).