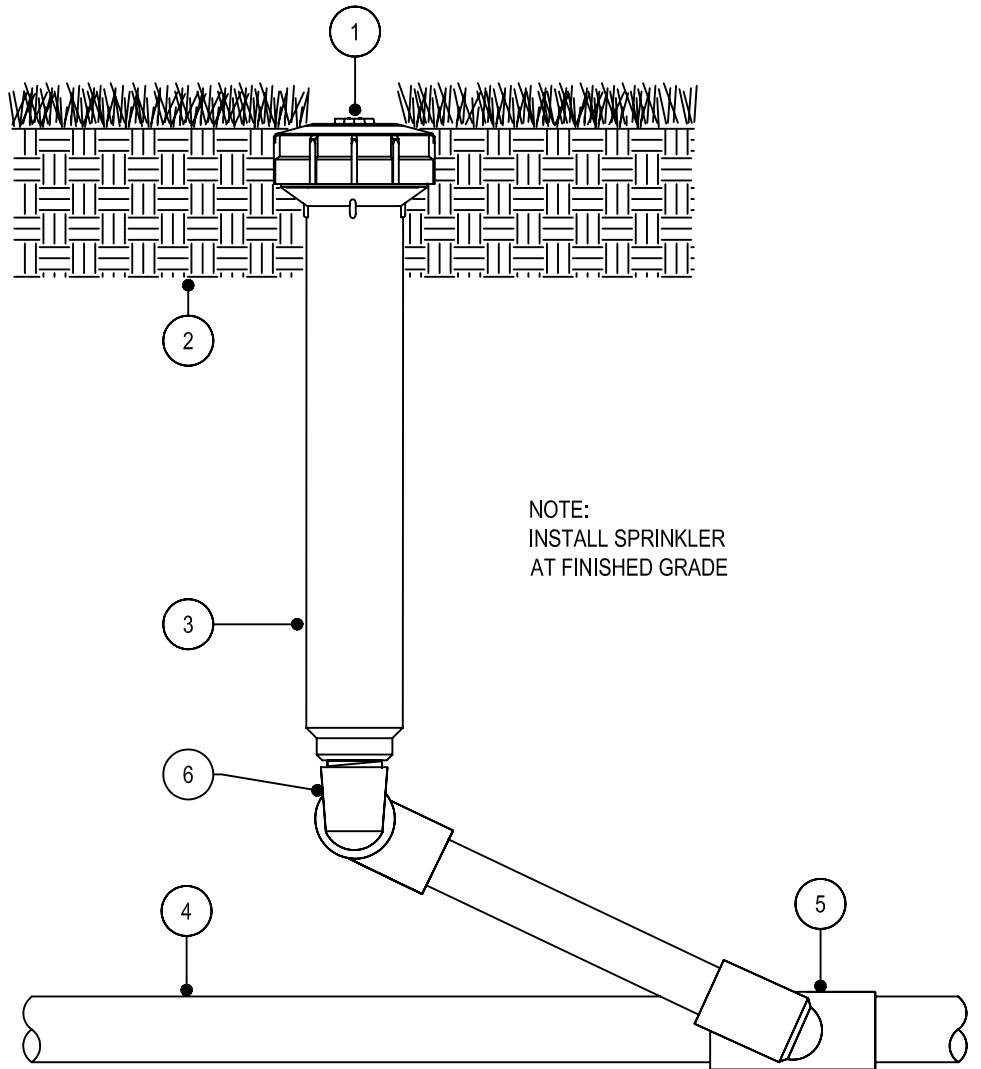




TORO-IRRIGATION DIVISION
 5825 JASMINE STREET
 RIVERSIDE, CA 92504
 TOLL FREE: 1-800-664-4740
 PHONE: (951) 785-3152
 FAX: (951) 359-1870
 www.toro.com

LEGEND

- 1. MPR PLUS NOZZLE
(SIZE PER PLAN)
- 2. APPROVED BACKFILL
- 3. TORO 570Z-6P-XX SPRINKLER
- 4. LATERAL PIPE
- 5. LATERAL TEE
- 6. MANUFACTURED SWING JOINT

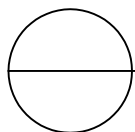


SECTION/ELEVATION

NOT TO SCALE

NOTES:

- 1. INSTALLATION TO BE COMPLETED IN ACCORDANCE WITH MANUFACTURERS SPECIFICATIONS.
- 2. DO NOT SCALE DRAWINGS.
- 3. CONTRACTORS NOTE: FOR PRODUCT AND COMPANY INFORMATION VISIT www.CADdetails.com/info REFERENCE NUMBER 065-013a.



570Z PRX SERIES

6 INCH POP-UP, XX SPRINKLER (SWING JOINT)