

INSTALLATION INSTRUCTIONS

Gutter Mount

5000-GM

WAC LIGHTING

Responsible Lighting®

FIG.1 GUTTER MOUNT INSTALLATION

STEP 1:

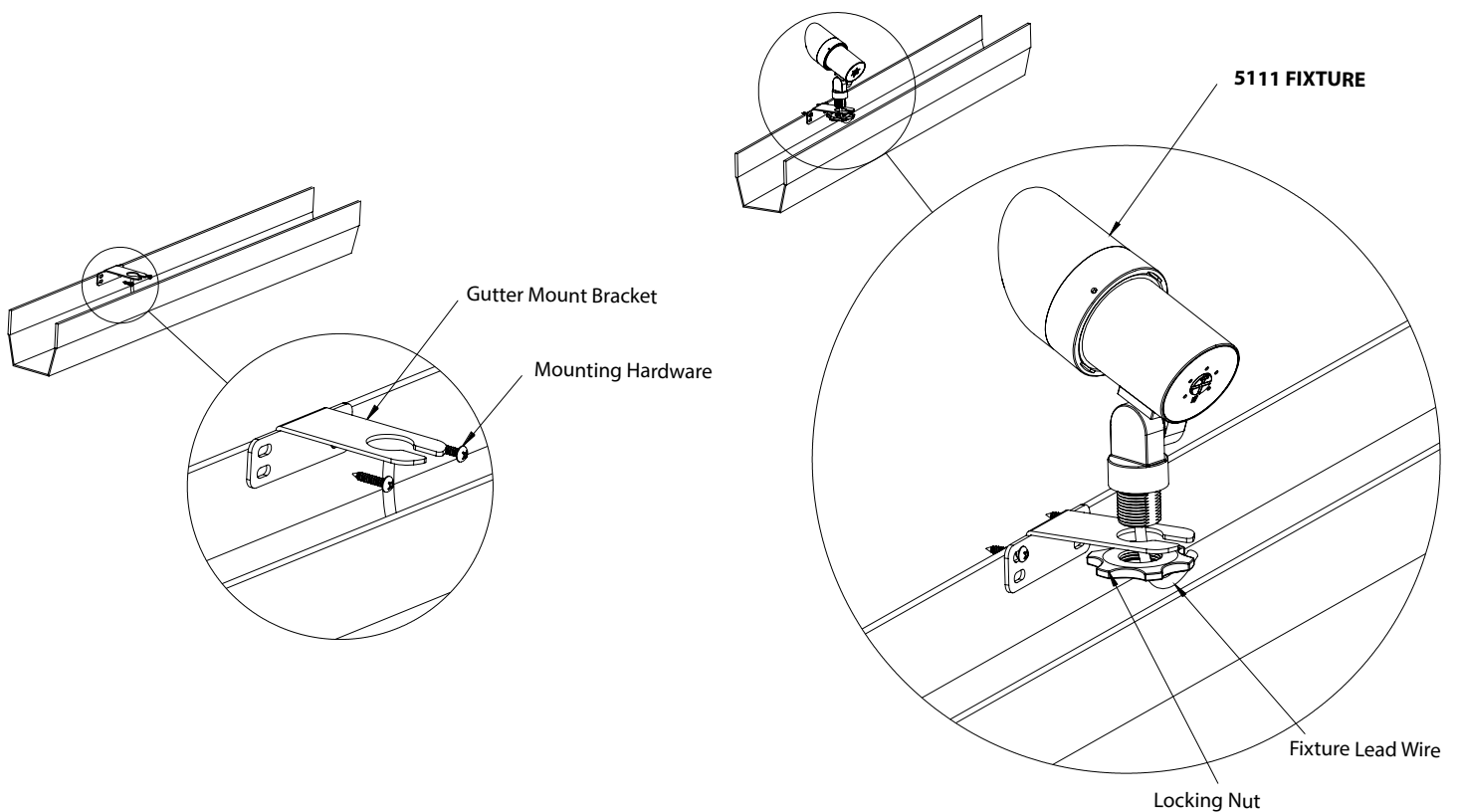
Mount the Gutter Mount Bracket onto the gutter with the appropriate hardware.

STEP 2:

Loosen the Locking Nuts on the fixture.

Allow the fixture lead wire to go through the open slot on the Gutter Mount Bracket.

Aim and secure the fixture onto the Gutter Mount Bracket with the Locking Nut from the bottom.



HARDWARE

A



Mounting Screw
4MPF033501W5/PM/BW
Qty: 2pcs + 1 Extra

wacighting.com
Phone (800) 526.2588
Fax (800) 526.2585

Headquarters/Eastern Distribution Center
44 Harbor Park Drive
Port Washington, NY 11050

Central Distribution Center
1600 Distribution Ct
Lithia Springs, GA 30122

Western Distribution Center
1750 Archibald Avenue
Ontario, CA 91760