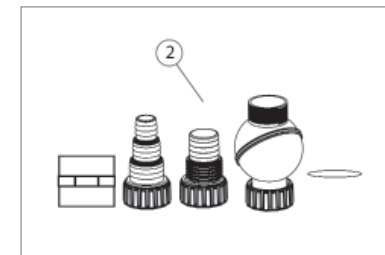
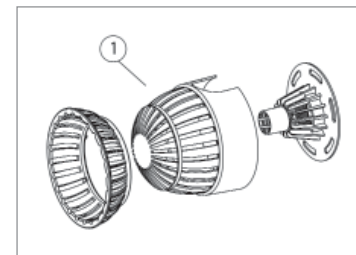
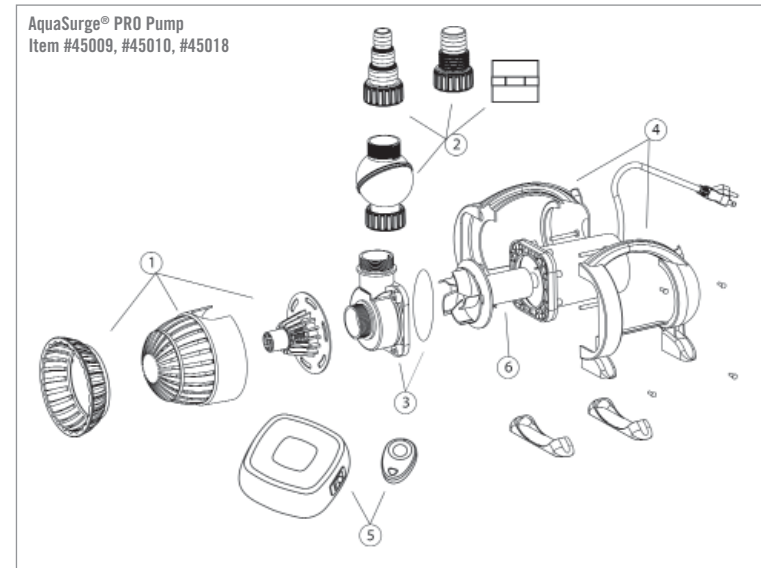


# AquaSurge® PRO Pump Replacement Parts



AQUASURGE® PRO 2000-4000 PUMP - ITEM #45009 YEAR 2012-PRESENT			
Diagram Numbers	Item #	Product	Weight (lbs)
①	91064	<b>Intake Screen Kit 2000-4000 GPH</b>	0.4
②	91065	<b>Discharge Fitting Kit 2000-4000/4000-8000 GPH</b>	0.5
③	91067	<b>Water Chamber Cover and O-Ring Kit 2000-4000 GPH</b>	0.3
④	91069	<b>Pump Handle and Feet Kit 2000-4000 GPH</b>	0.5
⑤	45013	<b>Remote and Receiver Kit 2000-4000/4000-8000 GPH</b>	0.75
⑥	45016	<b>Replacement Impeller Kit 2000-4000 GPH</b>	1.3

AQUASURGE® PRO 4000-8000 PUMP - ITEM #45010 YEAR 2012-PRESENT			
Diagram Numbers	Item #	Product	Weight (lbs)
①	45011	<b>Intake Screen Kit 4000-8000 GPH</b>	0.4
②	91065	<b>Discharge Fitting Kit 2000-4000/4000-8000 GPH</b>	0.5
③	45014	<b>Water Chamber Cover and O-Ring Kit 4000-8000 GPH</b>	0.3
④	45012	<b>Pump Handle and Feet Kit 4000-8000 GPH</b>	0.5
⑤	45013	<b>Remote and Receiver Kit 2000-4000/4000-8000 GPH</b>	0.75
⑥	45017	<b>Replacement Impeller Kit 4000-8000 GPH</b>	1.8



NOTE: Bold font indicates AquaScapePRO® product

