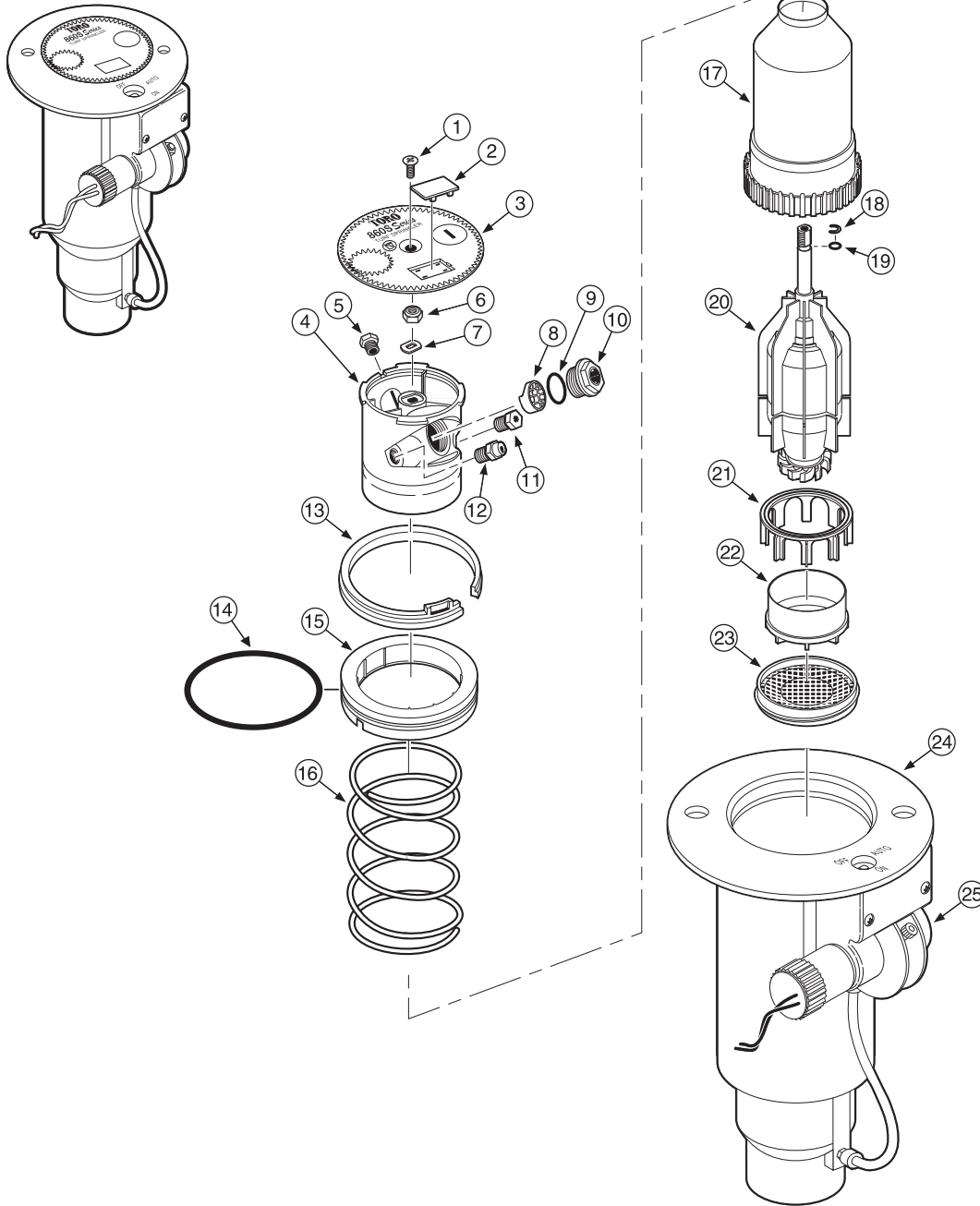


# 860S Series Sprinkler



## Model Number Information

**86XS-XX-6XX-E**

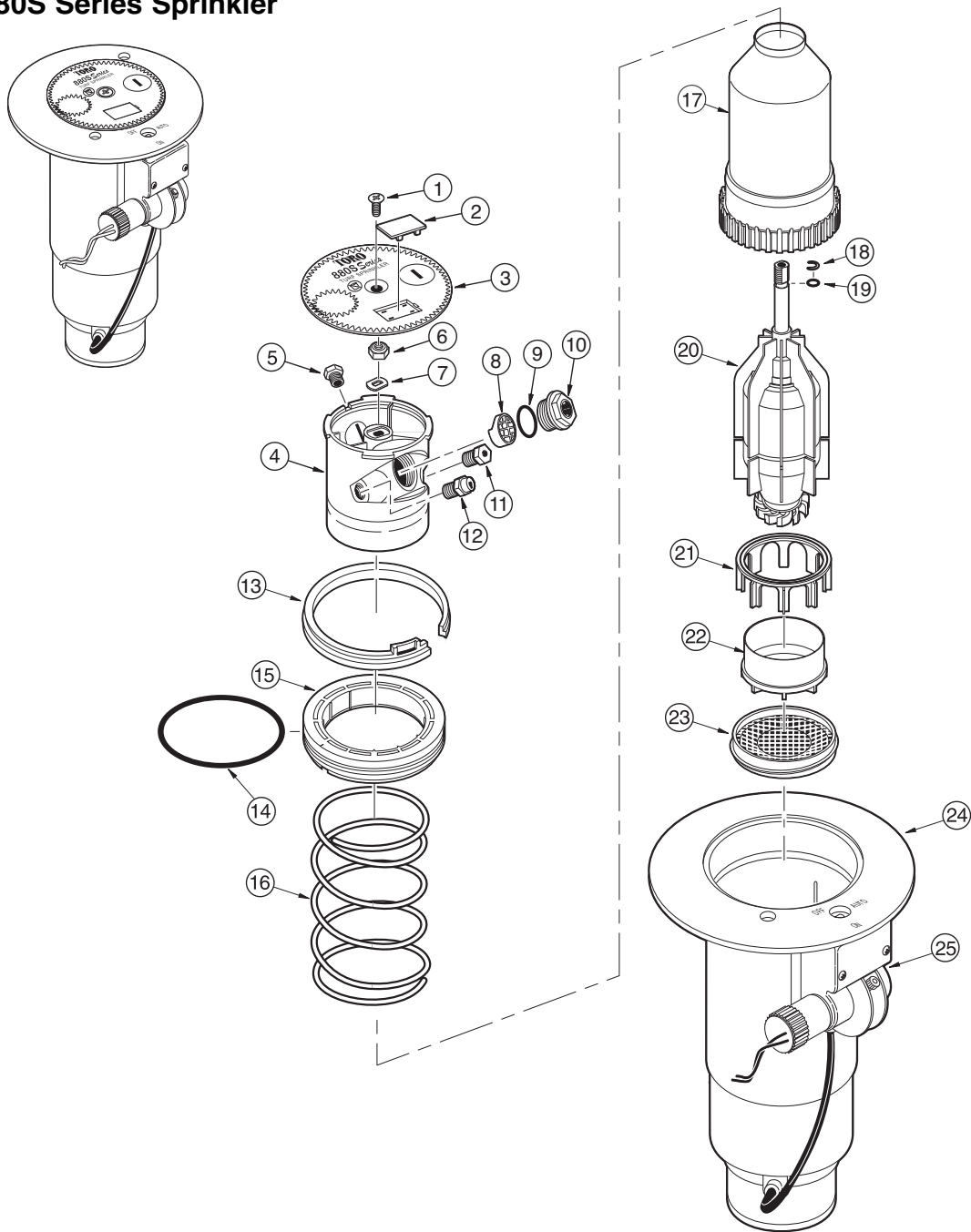
Arc	Body Threads	Valve	Nozzle	Pressure Regulation*	Effluent
4 = Full-circle 5 = Part-circle	0 = NPT 4 = ACME 5 = BSP	1 = NO Valve-In-Head 2 = Check-O-Matic 6 = Electric Valve-In-Head	1 (Yellow) 2 (Blue) 3 (Brown) 4 (Orange) 5 (Green) 6 (Gray) 7 (Black)	6 = 65 PSI 8 = 80 PSI 1 = 100 PSI	

\* Pressure Regulation available on Electric VIH models only.

Note: For detailed model number availability and ordering information, refer to the Golf Finished Goods Price List (form no. 490-2844).

Item No.	Part No.	Description	Quantity Per Assy.
1	102-1950	Screw, Cap, Stainless Steel, Full-circle Models	1
1	363-4125	Screw, Cap, Black, Part-circle Models	1
2	89-1589	Plug, Cap	1
3	102-1947	Cap, 860S	1
3	102-2082	Cap, 860S, Effluent	1
4	102-2153	Nozzle Base Assembly	1
5	102-0840	Nozzle, Inner, Blank, Red	1
6	363-4039	Nut, 5/16-24, Nylon Lock	1
7	102-1951	Alignment Washer	1
8	102-1949	Stream Straightener	1
9	363-4104	O-Ring, Main Nozzle	1
10	102-0725	Nozzle, Main, #1, Yellow	1
10	102-0726	Nozzle, Main, #2, Blue	1
10	102-0727	Nozzle, Main, #3, Brown	1
10	102-0728	Nozzle, Main, #4, Orange	1
10	102-0729	Nozzle, Main, #5, Green	1
10	102-0730	Nozzle, Main, #6, Gray	1
10	102-4261	Nozzle, Main, #7, Black	1
11	102-0608	Nozzle, Intermediate, Orange (Use with #1 Yellow Main Nozzle)	1
11	102-0609	Nozzle, Intermediate, Gray (Use with #2 Blue Main Nozzle)	1
11	102-0610	Nozzle, Intermediate, Red (Use with #3 Brown & #4 Orange Main Nozzles)	1
11	102-0823	Nozzle, Intermediate, Beige (Use with #5 Green & #6 Gray Main Nozzles)	1
11	102-2005	Nozzle, Intermediate, Red (Use with #7 Black Main Nozzle)	1
12	102-2980	Nozzle Assembly, Inner, Red (w/Restrictor)	1
13	89-1385	Snap Ring, Riser	1
14	363-4102	O-Ring, Body	1
15	102-0134	Retainer, Seal, 1.0"	1
16	102-0151	Spring, Return	1
17	89-6360	Riser Assembly, 860S	1
18	102-2039	Support Washer	1
19	360-0497	O-Ring	1
20	102-4499	Drive Assembly, PC, (Includes Items 18 & 19), 12-Pack	1
20	102-4498	Drive Assembly, FC, (Includes Items 18 & 19), 12-Pack	1
21	89-1958	Stator Support	1
22	89-1957	Stator, Variable	1
23	89-1588	Screen, 860S/880S	1
24	-----	Body Assembly (See p. 102)	1
25	-----	Pilot Valve Assembly (See p. 109)	1
		<b>SERVICE ITEMS</b>	
	102-2208	Nozzle, Main, Blank, White	
	102-0840	Nozzle, Inner/Intermediate, Blank, Red	
	102-2135	Nozzle, Inner, Back, High Flow, White	
	102-2136	Nozzle, Inner, Back, Low Flow, Yellow	
	363-4220	Screw, Radius Adjust	
	102-2506	Cap, 860S, w/o Graphics	
	102-2507	Cap, 860S, w/o Graphics, Effluent	
	89-4735	Yardage Marker, Yellow (10 Sheets per Pack)	
		<b>SERVICE TOOLS</b>	
	995-08	Valve Removal Tool	
	995-15	Selector Tool (Flag Key)	
	995-76	Valve Insertion Tool	
	995-79	Nut Driver, 7/16" (For Inner & Intermediate Nozzles)	
	995-80	Nut Driver, 1/2" (For 363-4039 Jam Nut)	
	995-82	Arc Adjustment Tool, 3/32" (T-handle hex Wrench)	
	995-83	Multi-purpose Tool	
	995-85	Riser Removal Tool	
	995-99	Nut Driver, 5/8" (For Main Nozzle)	
	995-100	Valve Snap Ring Pliers with Screen Remover	
	995-102	Riser Hold-up Tool, Universal	
		* Order Through Finished Goods Distribution System—Minneapolis	

# 880S Series Sprinkler

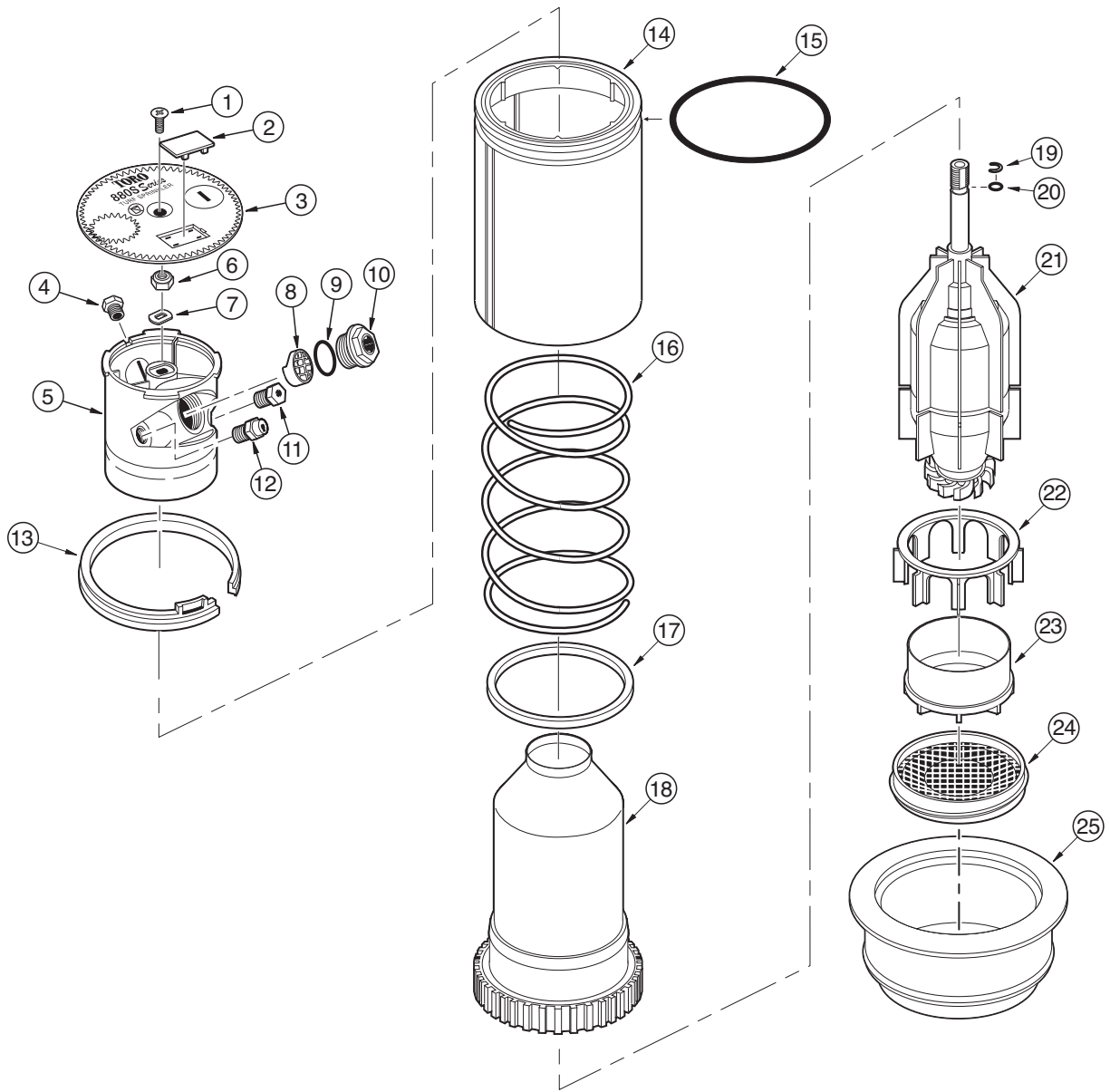


## Model Number Information

88XS-XX-8XX-E					
Arc	Body Threads	Valve	Nozzle	Pressure Regulation*	Effluent
4 = Full-circle 5 = Part-circle	0 = NPT 4 = ACME 5 = BSP	1 = NO Valve-In-Head 2 = Check-O-Matic 6 = Electric Valve-In-Head	1 (Yellow) 2 (Blue) 3 (Brown) 4 (Orange) 5 (Green) 6 (Gray) 7 (Black) 8 (Red)	6 = 65 PS 8 = 80 PSI 1 = 100 PSI	
				* Pressure Regulation available on Electric VIH models only.	
<b>Note:</b> For detailed model number availability and ordering information, refer to the Golf Finished Goods Price List (form no. 490-2844).					

Item No.	Part No.	Description	Quantity Per Assy.
1	102-1950	Screw, Cap, Stainless Steel, FC Models	1
1	363-4125	Screw, Cap, Black PC Models	1
2	89-1589	Plug, Cap	1
3	102-1948	Cap, 880S	1
3	102-2083	Cap, 880S, Effluent	1
4	102-2153	Nozzle Base Assembly	1
5	102-0840	Nozzle Inner, Blank, Red	1
6	363-4039	Nut, 5/16-24, w/Nylon Lock	1
7	102-1951	Alignment Washer	1
8	102-1949	Stream Straightener	1
9	363-4104	O-Ring, Main Nozzle	1
10	102-0725	Nozzle, Main, #1, Yellow	1
10	102-0726	Nozzle, Main, #2, Blue	1
10	102-0727	Nozzle, Main, #3, Brown	1
10	102-0728	Nozzle, Main, #4, Orange	1
10	102-0729	Nozzle, Main, #5, Green	1
10	102-0730	Nozzle, Main, #6, Gray	1
10	102-4261	Nozzle, Main, #7, Black	1
10	102-4260	Nozzle, Main, #8, Red	1
11	102-0608	Nozzle, Intermediate, Orange (Used with #1 Yellow Main Nozzle)	1
11	102-0609	Nozzle, Intermediate, Gray (Used with #2 Blue Main Nozzle)	1
11	102-0610	Nozzle, Intermediate, Red (Used with #3 Brown & #4 Orange Main Nozzles)	1
11	102-0823	Nozzle, Intermediate, Beige (Used with #5 Green & #6 Gray Main Nozzles)	1
11	102-2005	Nozzle, Intermediate, Red (Used with #7 Black & #8 Red Main Nozzles)	1
12	102-2980	Nozzle Assembly, Inner, Red (with Restrictor)	1
13	35-6119	Snap Ring, Riser	1
14	363-4103	O-Ring, Body	1
15	102-0136	Retainer, Seal, 1.5"	1
16	102-0151	Spring, Return	1
17	89-6361	Riser Assembly, 880S	1
18	102-2039	Support Ring	1
19	360-0497	O-Ring	1
20	102-4499	Drive Assembly, PC (Includes Items 18 & 19), 12-Pack	1
20	102-4498	Drive Assembly, FC (Includes Items 18 & 19), 12-Pack	1
21	89-1958	Stator Support	1
22	89-1957	Stator, Variable	1
23	89-1588	Screen, 860S/880S	1
24	-----	Body Assembly (See p. 106)	1
25	-----	Pilot Valve Assembly (See p. 109)	1
		<b>SERVICE ITEMS</b>	
	102-2208	Nozzle, Main, Blank, White	
	102-0840	Nozzle, Inner/Intermediate, Blank, Red	
	102-2135	Nozzle, Inner, Back, High Flow, White	
	102-2136	Nozzle, Inner, Back, Low Flow, Yellow	
	363-4220	Screw, Radius Adjust	
	102-2508	Cap, 880S, w/o Graphics	
	102-2509	Cap, 880S, w/o Graphics, Effluent	
	102-0950	Adapter, Conversion	
	89-4735	Yardage Markers, Yellow (10 Sheets per Pack)	
		<b>SERVICE TOOLS</b>	
	995-09	Valve Removal Tool	
	995-101	Valve Insertion Tool	
	995-15	Selector Tool (Flag Key)	
	995-79	Nut Driver, 7/16" (For Inner & Intermediate Nozzles)	
	995-99	Nut Driver, 5/8" (For Main Nozzle)	
	995-83	Multi-purpose Tool	
	995-85	Riser Removal Tool	
	995-100	Valve Snap Ring Pliers with Screen Remover	
	995-102	Riser Hold-up Tool, Universal	
		* Order Through Finished Goods Distribution System--Minneapolis	

# 880S Series Ribless Body, Conversion Assembly



Item No.	Part No.	Nomenclature	Quantity Per Assy.
1	102-1950	Screw, Cap, Stainless Steel, FC Models	1
1	363-4125	Screw, Cap, Black PC Models	1
2	89-1589	Plug, Cap	1
3	102-1948	Cap, 880S	1
3	102-2083	Cap, 880S, Effluent	1
4	102-0840	Nozzle Inner, Blank, Red	1
5	102-2153	Nozzle Base Assembly	1
6	363-4039	Nut, 5/16-24, w/Nylon Lock	1
7	102-1951	Alignment Washer	1
8	102-1949	Stream Straightener	1
9	363-4104	O-Ring, Main Nozzle	1
10	102-0725	Nozzle, Main, #1, Yellow	1
10	102-0726	Nozzle, Main, #2, Blue	1
10	102-0727	Nozzle, Main, #3, Brown	1
10	102-0728	Nozzle, Main, #4, Orange	1
10	102-0729	Nozzle, Main, #5, Green	1
10	102-0730	Nozzle, Main, #6, Gray	1
10	102-4261	Nozzle, Main, #7, Black	1
10	102-4260	Nozzle, Main, #8, Red	1
11	102-0608	Nozzle, Intermediate, Orange (Used with #1 Yellow Main Nozzle)	1
11	102-0609	Nozzle, Intermediate, Gray (Used with #2 Blue Main Nozzle)	1
11	102-0610	Nozzle, Intermediate, Red (Used with #3 Brown & #4 Orange Main Nozzles)	1
11	102-0823	Nozzle, Intermediate, Beige (Used with #5 Green & #6 Gray Main Nozzles)	1
11	102-2005	Nozzle, Intermediate, Red (Used with #7 Black & #8 Red Main Nozzles)	1
12	102-2980	Nozzle Assembly, Inner, Red (with Restrictor)	1
13	35-6119	Snap Ring, Riser	1
14	89-7568	Sleeve, Retainer, O-Ring	1
15	363-4103	O-Ring	1
16	102-0151	Spring, Return	1
17	89-7569	Seal, Riser	1
18	89-6360	Riser Assembly, 860S	1
19	102-2039	Support Ring	1
20	360-0497	O-Ring	1
21	102-4499	Drive Assembly, PC (Includes Items 18 & 19), 12-Pack	1
21	102-4498	Drive Assembly, FC (Includes Items 18 & 19), 12-Pack	1
22	89-1958	Stator Support	1
23	89-1957	Stator, Variable	1
24	89-1588	Screen, 860S/880S	1
25	102-0950	Adapter, Conversion	1
		<b>SERVICE ITEMS</b>	
	102-2208	Nozzle, Main, Blank, White	
	102-0840	Nozzle, Inner/Intermediate, Blank, Red	
	102-2135	Nozzle, Inner, Back, High Flow, White	
	102-2136	Nozzle, Inner, Back, Low Flow, Yellow	
	363-4220	Screw, Radius Adjust	
	102-2508	Cap, 880S, w/o Graphics	
	102-2509	Cap, 880S, w/o Graphics, Effluent	
		<b>SERVICE TOOLS</b>	
	995-09	Valve Removal Tool	
	995-101	Valve Insertion Tool	
	995-15	Selector Tool (Flag Key)	
	995-79	Nut Driver, 7/16" (For Inner Nozzle)	
	995-99	Nut Driver, 5/8" (For Main Nozzle)	
	995-83	Multi-purpose Tool	
	995-85	Riser Removal Tool	
	995-100	Valve Snap Ring Pliers with Screen Remover	
	995-102	Riser Hold-up Tool, Universal	
		* Order Through Finished Goods Distribution System—Minneapolis	