



# SnowMaster 724 and 824 QXE Snowthrower

Model No. 36002—Serial No. 402082000 and Up

Model No. 36003—Serial No. 402082000 and Up

## Operator's Manual

### Introduction

This machine is intended to be used by residential homeowners. It is designed primarily for removing snow from paved surfaces, such as driveways and sidewalks, and other surfaces for traffic on residential or commercial properties. It is not designed for removing materials other than snow, nor is it designed for clearing gravel surfaces.

**Note:** The machine may leave rubber marks on new brushed or light colored concrete. Test on an inconspicuous location before use.

Read this information carefully to learn how to operate and maintain your product properly and to avoid injury and product damage. You are responsible for operating the product properly and safely.

You may contact Toro directly at [www.Toro.com](http://www.Toro.com) for product safety and operation training materials, accessory information, help finding a dealer, or to register your product.

Whenever you need service, genuine Toro parts, or additional information, contact an Authorized Service Dealer or Toro Customer Service and have the model and serial numbers of your product ready. [Figure 1](#) identifies the location of the model and serial numbers on the product. Write the numbers in the space provided.

**Important:** With your smartphone or tablet, scan the QR code on the serial number decal to access warranty, parts, and other product information.

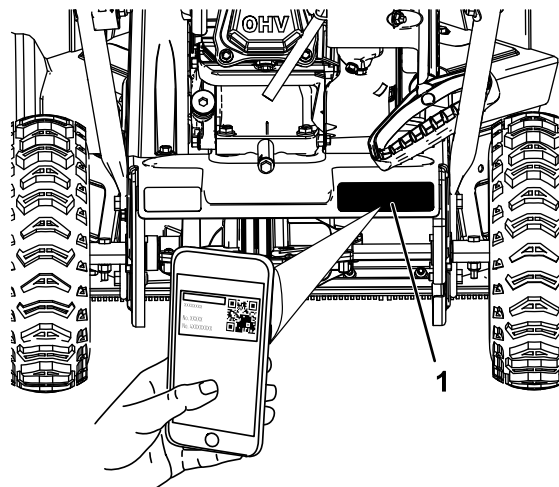


Figure 1

g217476

1. Model and serial number location

Model No.	_____
Serial No.	_____

This manual identifies potential hazards and has safety messages identified by the safety-alert symbol ([Figure 2](#)), which signals a hazard that may cause serious injury or death if you do not follow the recommended precautions.



Figure 2

g000502

1. Safety-alert symbol

This manual uses 2 words to highlight information. **Important** calls attention to special mechanical information and **Note** emphasizes general information worthy of special attention.



This product complies with all relevant European directives; for details, please see the separate product specific Declaration of Conformity (DOC) sheet.

**⚠ WARNING**

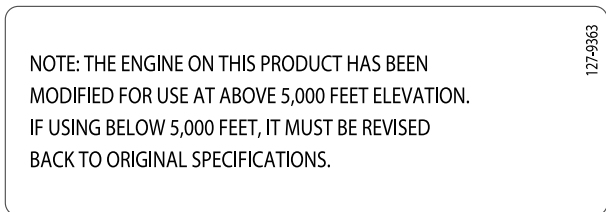
**CALIFORNIA**  
**Proposition 65 Warning**

**This product contains a chemical or chemicals known to the State of California to cause cancer, birth defects, or reproductive harm.**

**The engine exhaust from this product contains chemicals known to the State of California to cause cancer, birth defects, or other reproductive harm.**

**Important:** If you are using this machine above 1500 m (5,000 ft) for a continuous period, ensure that the High Altitude Kit has been installed so that the engine meets CARB/EPA emission regulations. The High Altitude Kit increases engine performance while preventing spark-plug fouling, hard starting, and increased emissions. Once you have installed the kit, attach the high-altitude label next to the serial decal on the machine. Contact any Authorized Toro Service Dealer to obtain the proper High Altitude Kit and high-altitude label for your machine. To locate a dealer convenient to you, access our website at [www.Toro.com](http://www.Toro.com) or contact our Toro Customer Care Department at the number(s) listed in your Emission Control Warranty Statement. Remove the kit from the engine and restore the engine to its original factory configuration when running the engine under 1500 m (5,000 ft). Do not operate an engine that has been converted for high-altitude use at lower altitudes; otherwise, you could overheat and damage the engine.

If you are unsure whether or not your machine has been converted for high-altitude use, look for the following label (Figure 3).



**Figure 3**

decal127-9363

# Contents

- Introduction ..... 1
- Safety ..... 3
  - General Safety ..... 3
  - Safety and Instructional Decals ..... 3
- Setup ..... 5
  - Unfolding the Handle ..... 5
  - Installing the Discharge Chute ..... 5
  - Installing the Chute-Control Rod ..... 6
  - Checking the Engine-Oil Level ..... 6
  - Adjusting the Tire Pressure ..... 6
- Product Overview ..... 7
- Operation ..... 7
  - Before Operation ..... 7
    - Before Operation Safety ..... 7
    - Filling the Fuel Tank ..... 8
  - During Operation ..... 8
    - During Operation Safety ..... 8
    - Starting the Engine ..... 9
    - Engaging the Auger ..... 10
    - Disengaging the Auger ..... 10
    - Self-Propelling the Machine ..... 10
    - Shutting Off the Engine ..... 10
    - Operating the Quick Stick® ..... 10
    - Clearing a Clogged Discharge Chute ..... 11
    - Operating Tips ..... 11
  - After Operation ..... 12
    - After Operation Safety ..... 12
    - Preventing Freeze-up after Use ..... 12
- Maintenance ..... 13
  - Recommended Maintenance Schedule(s) ..... 13
  - Maintenance Safety ..... 13
  - Checking the Engine-Oil Level ..... 14
  - Checking and Adjusting the Skids ..... 14
  - Inspecting the Throwing Edges ..... 15
  - Changing the Engine Oil ..... 15
  - Replacing the Spark Plug ..... 17
  - Adjusting the Auger Cable ..... 17
  - Adjusting the Transmission Cable ..... 18
- Storage ..... 19
  - Storing the Machine ..... 19

# Safety

## General Safety

This machine complies with ANSI B71.3 specifications.

- Read and understand the contents of this *Operator's Manual* before you start the engine. Ensure that everyone using this product knows how to use the product and understands the warnings.
- Do not put your hands or feet near moving components on the machine.

- Do not operate the machine without all guards and other safety protective devices in place and working on the machine.
- Keep clear of any discharge opening. Keep bystanders a safe distance away from the machine.
- Keep children out of the operating area. Never allow children to operate the machine.
- Shut off the engine before unclogging, servicing, or fueling the machine.

You can find additional safety information where needed throughout this manual.

## Safety and Instructional Decals



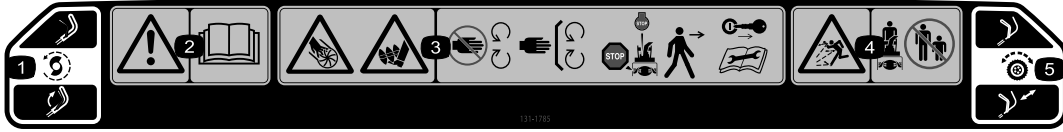
Safety decals and instructions are easily visible to the operator and are located near any area of potential danger. Replace any decal that is damaged or missing.



120-9805

decal120-9805

1. Insert the key.
2. Prime the engine 3 times.
3. Engage the choke.
4. Pull the starter cord.
5. Once the engine is running, disengage the choke.



decal131-1785

**131-1785**

Order Part No. 131-5921

1. Auger drive—squeeze the lever to engage; release the lever to disengage.
2. Warning—read the *Operator's Manual*.
3. Cutting/dismemberment hazards of hand or foot, impeller and auger—stay away from moving parts; keep all guards and shields in place; shut off the engine and wait for the auger to stop before leaving the machine; remove the ignition key and read the instructions before servicing or performing maintenance.
4. Thrown object hazard—keep bystanders a safe distance away from the machine.
5. Self-propel drive—push down on the handle to engage the self-propel drive.



decal131-5914

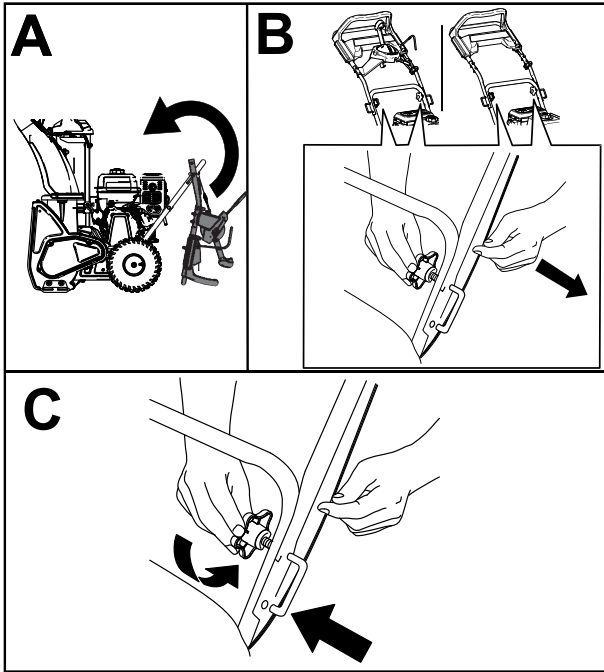
**131-5914**

Order Part No. 131-5916

1. Cutting/dismemberment hazards of hand or foot, impeller and auger—do not place your hand in the chute; remove the ignition key and read the instructions before servicing or performing maintenance.

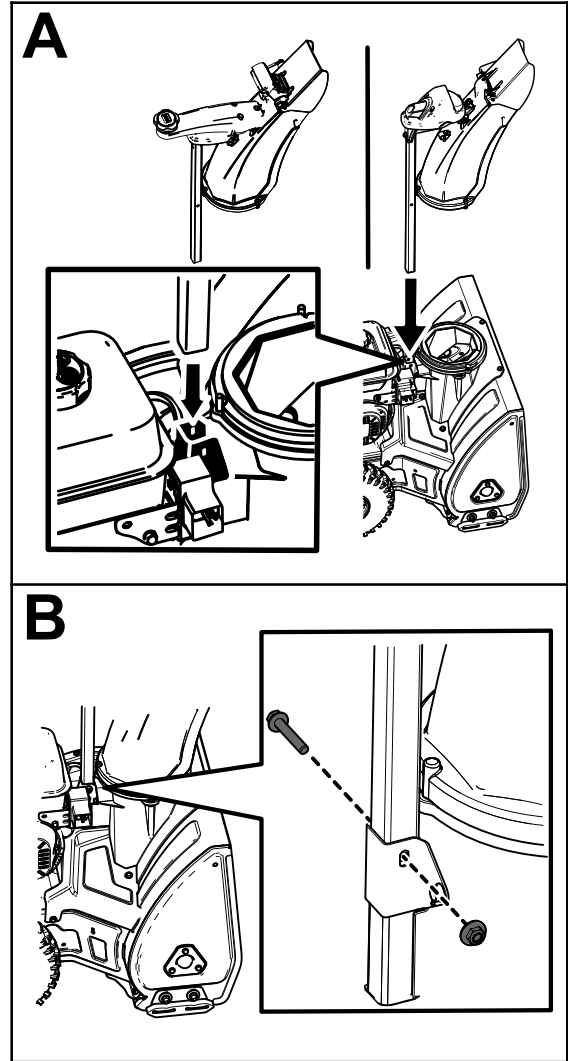
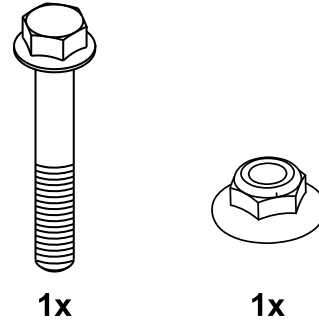
# Setup

## Unfolding the Handle



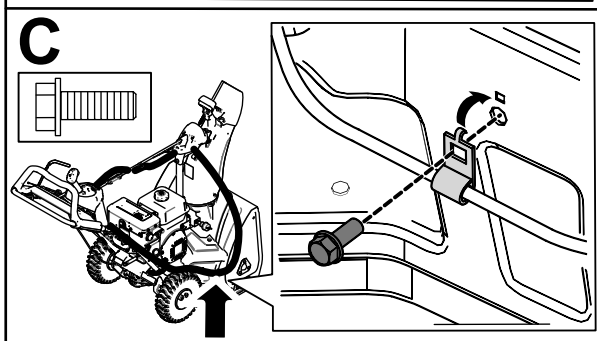
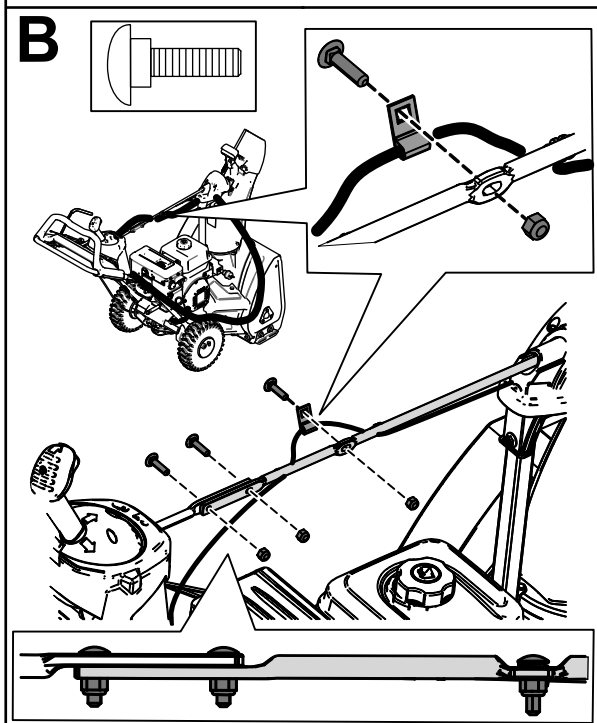
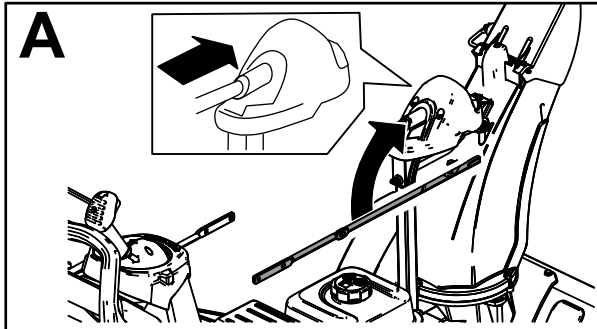
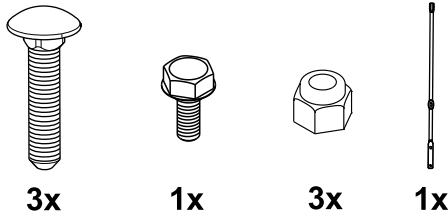
g212678

## Installing the Discharge Chute



g217148

# Installing the Chute-Control Rod



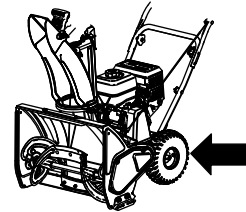
g221044

# Checking the Engine-Oil Level

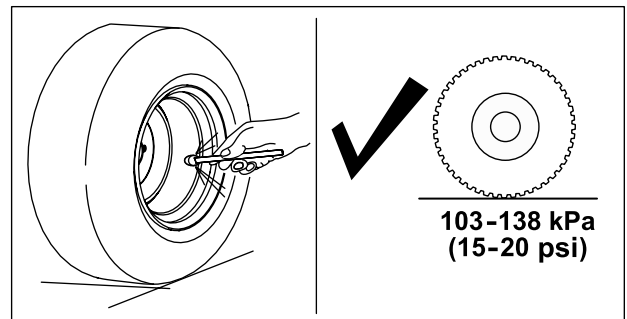
**Note:** Your machine comes with oil in the engine crankcase. Before starting the engine, check the oil level and add oil if necessary.

Refer to [Checking the Engine-Oil Level \(page 14\)](#).

# Adjusting the Tire Pressure



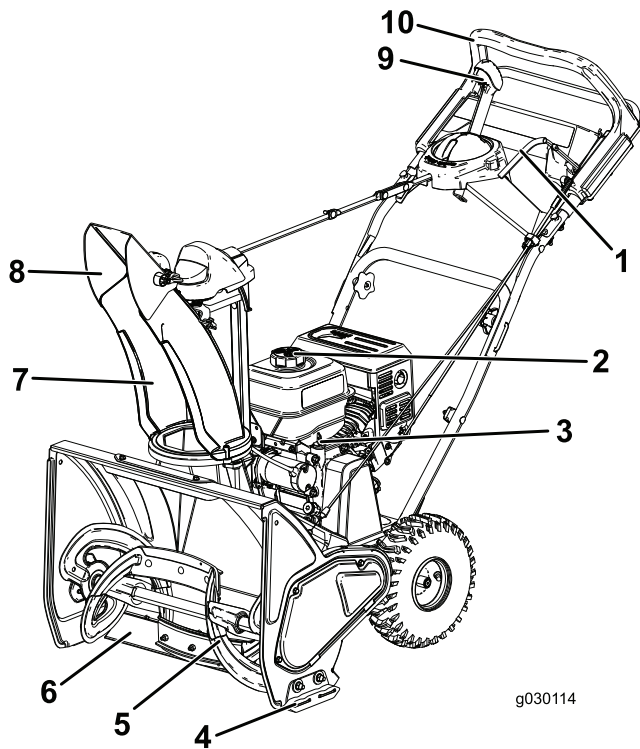
g210347



g211051

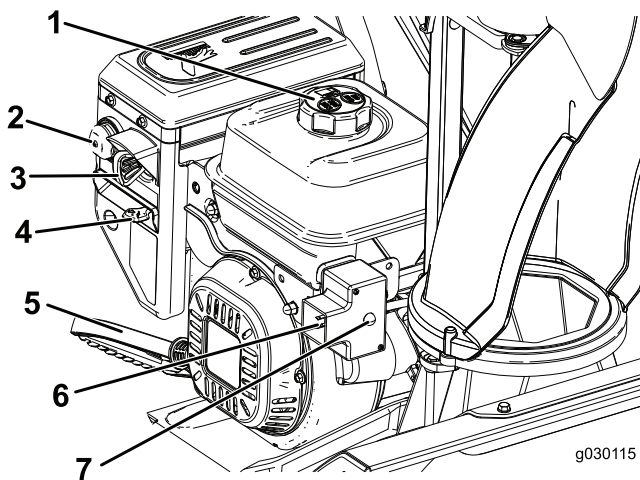
Figure 7

# Product Overview



**Figure 8**

- |                  |   |
|------------------|---|
| 1. Auger lever   | 6. Scraper                              |
| 2. Fuel-tank cap | 7. Discharge chute                      |
| 3. Dipstick      | 8. Chute deflector                      |
| 4. Skid          | 9. Quick Stick® discharge-chute control |
| 5. Auger         | 10. Upper handle                        |



**Figure 9**

- |                  |                           |
|------------------|---------------------------|
| 1. Fuel-tank cap | 5. Recoil-start handle    |
| 2. Primer        | 6. Electric-start plug-in |
| 3. Ignition key  | 7. Electric-start button  |
| 4. Choke         |                           |

# Operation

**Note:** Determine the left and right sides of the machine from the normal operating position.

## Before Operation

### Before Operation Safety

- **For electric-start models only:** Use extension cords and receptacles as specified in the manual. Thoroughly inspect the electrical cord before plugging it into a power source. If the cord is damaged, do not use it. Replace the damaged cord. Unplug the power cord whenever you are not starting the machine.
- Wear adequate winter garments whenever you operate the machine. Wear substantial, slip-resistant footwear that improves footing on slippery surfaces. Avoid loose-fitting clothing that can get caught in moving parts.
- Always wear eye protection during operation or while performing an adjustment or repair to protect your eyes from foreign objects that the machine may throw.
- Thoroughly inspect the area where you will use the machine, and remove all doormats, sleds, boards, wires, and other foreign objects.
- If a shield, safety device, or decal is damaged, illegible, or missing, repair or replace it before beginning operation. Also, tighten any loose fasteners.

### **⚠ DANGER**

**Fuel is extremely flammable and explosive. A fire or explosion from fuel can burn you and others.**

- To prevent a static charge from igniting the fuel, place the container and/or machine on the ground before filling, not in a vehicle or on an object.
- Fill the tank outdoors when the engine is cold. Wipe up spills.
- Do not handle fuel when smoking or around an open flame or sparks.
- Store fuel in an approved fuel container, out of the reach of children.
- Do not tip the machine either forward or backward with fuel in the fuel tank; otherwise, fuel may leak out of the machine.

## Filling the Fuel Tank

- For best results, use only clean, fresh (less than 30 days old), unleaded gasoline with an octane rating of 87 or higher ((R+M)/2 rating method).
- Oxygenated fuel with up to 10% ethanol or 15% MTBE by volume is acceptable.
- **Do not** use ethanol blends of gasoline (such as E15 or E85) with more than 10% ethanol by volume. Performance problems and/or engine damage may result which may not be covered under warranty.
- **Do not** use gasoline containing methanol.
- **Do not** store fuel either in the fuel tank or fuel containers over the winter unless you use a fuel stabilizer.
- **Do not** add oil to gasoline.

Do not fill above the bottom of the fuel tank (Figure 10).

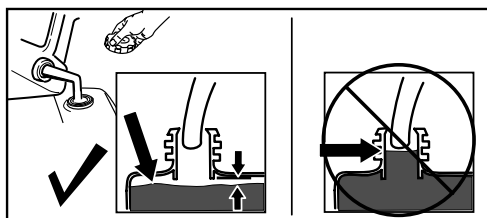


Figure 10

g216203

**Note:** For best results, purchase only the quantity of fuel that you expect to use in 30 days. Otherwise, you may add fuel stabilizer to newly purchased fuel to keep it fresh for up to 6 months.

## During Operation

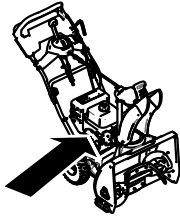
### During Operation Safety

- **Shut off the engine before unclogging the machine and always use a stick or the snow-cleanout tool (if provided).**
- **A rotating auger can injure hands or feet.** Stay behind the handles and away from the discharge opening while operating the machine. **Keep your face, hands, feet, and any other part of your body or clothing away from moving or rotating parts.**
- Never direct the discharge toward people or areas where property damage can occur.
- Exercise caution to avoid slipping or falling. Always be sure of your footing, and keep a firm hold on the handles. Walk; never run.
- Exercise extreme caution when operating on slopes.
- Never operate the machine without good visibility or light.
- Do not operate the machine while ill, tired, or under the influence of alcohol or drugs.
- Look behind and use care when backing up with the machine.
- When not actively clearing snow, disengage power to the auger.
- Exercise extreme caution when operating on or crossing gravel drives, walks, or roads. Stay alert for hidden hazards or traffic.
- Never attempt to make any adjustments while the engine is running.
- After striking a foreign object, shut off the engine, remove the ignition key (electric-start models only), thoroughly inspect the machine for any damage, and repair the damage before starting and operating the machine.
- If the machine should start to vibrate abnormally, shut off the engine and check for the cause.
- Do not run the engine indoors unless there is adequate ventilation (e.g., leaving the outside door open); exhaust fumes are dangerous.
- Do not overload the machine capacity by attempting to clear snow at too fast a rate.
- Never touch a hot engine or muffler.



# Starting the Engine

## Using the Electric Starter



g213131

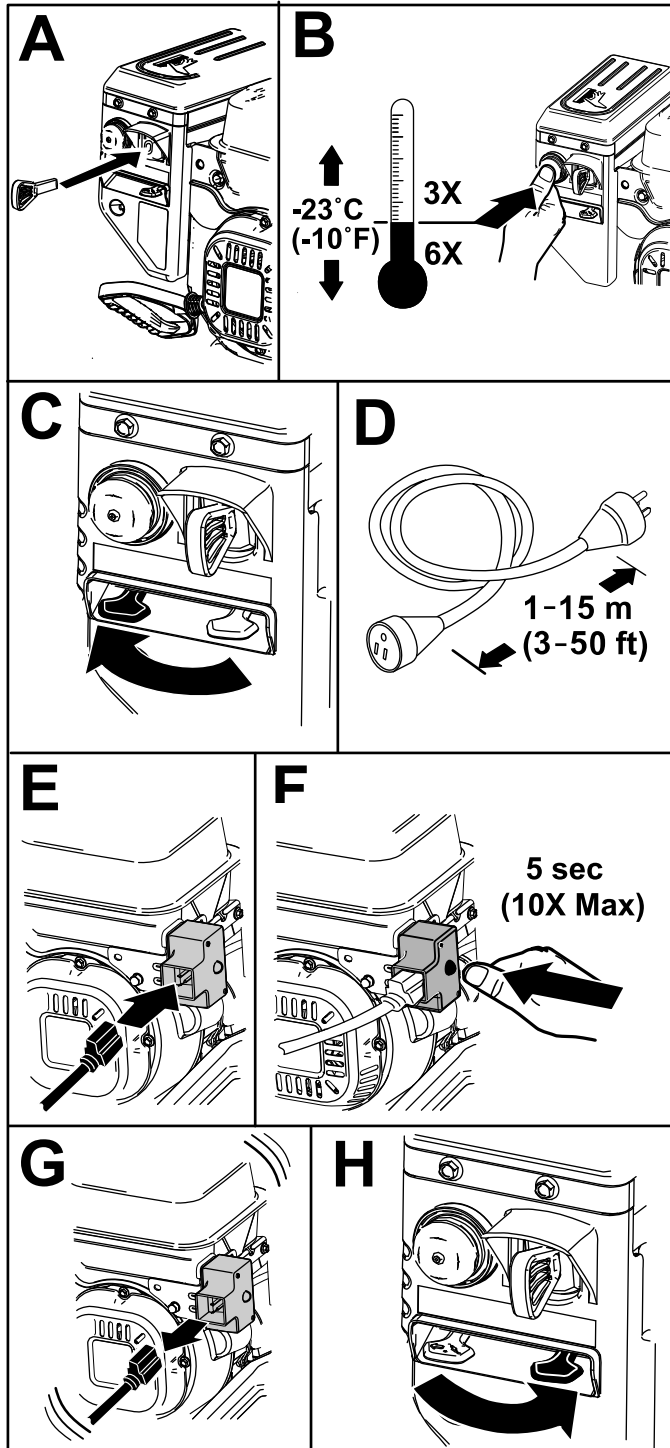


Figure 11

g222733

## Using the Recoil Starter

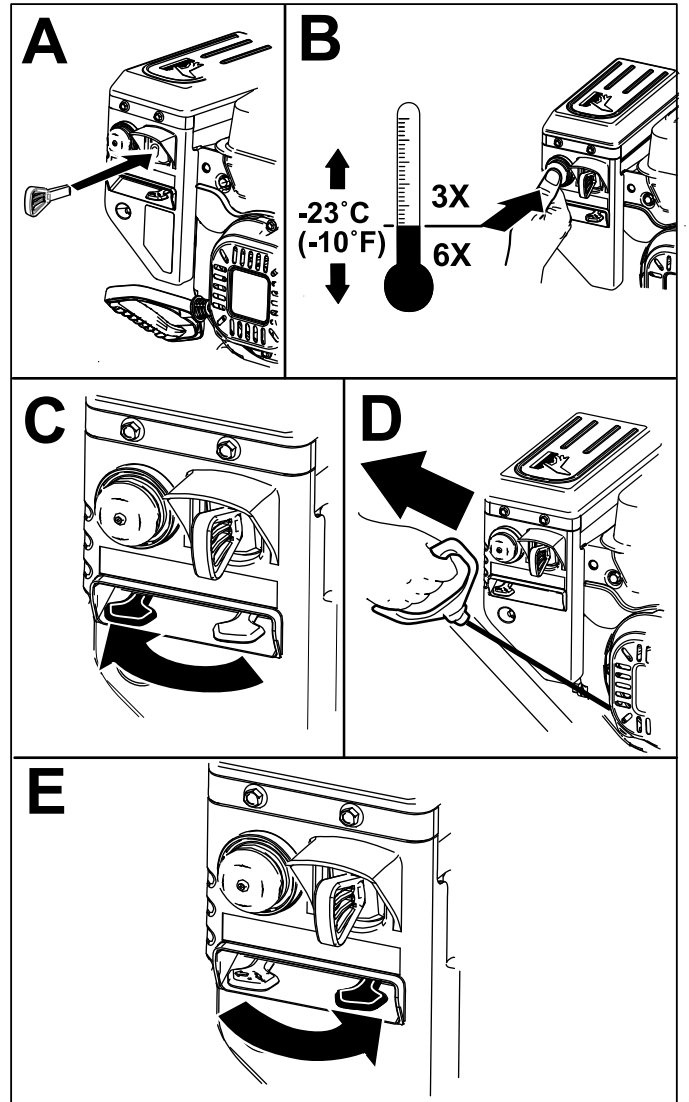


Figure 12

g210708

## Engaging the Auger

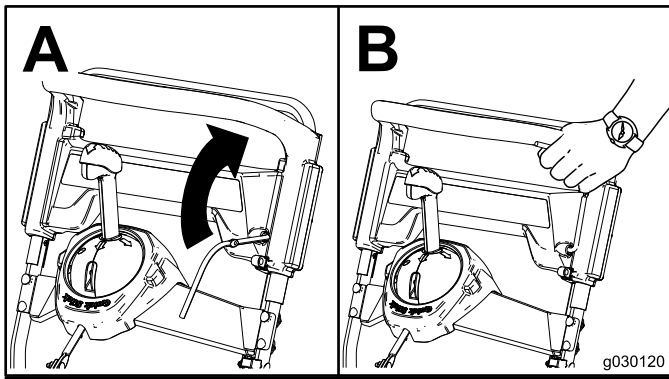


Figure 13

## Disengaging the Auger

To disengage the auger, release the auger lever.

## Self-Propelling the Machine

To operate the self-propel drive, simply walk with your hands on the upper handle and your elbows at your sides, and the machine automatically keeps pace with you (Figure 14).

**Note:** You can self-propel the machine with the auger engaged or disengaged.

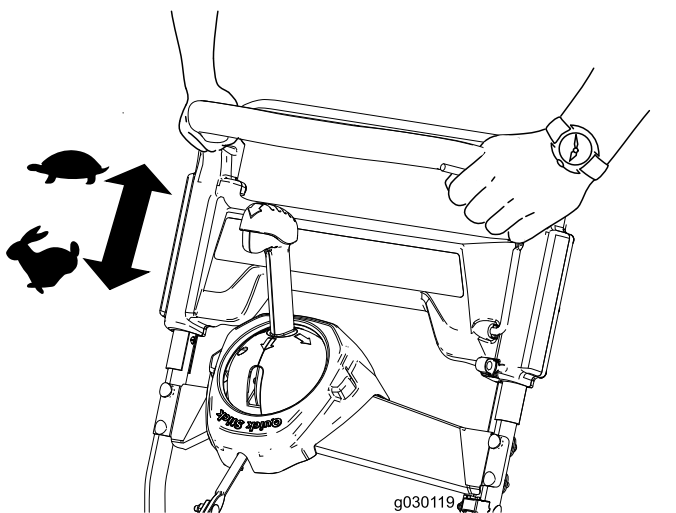


Figure 14

## Shutting Off the Engine

To shut off the engine, remove the key from the ignition or move the key to the middle position.

## Operating the Quick Stick®

**Note:** Fully press the blue knob to release the latch and operate the Quick Stick®.

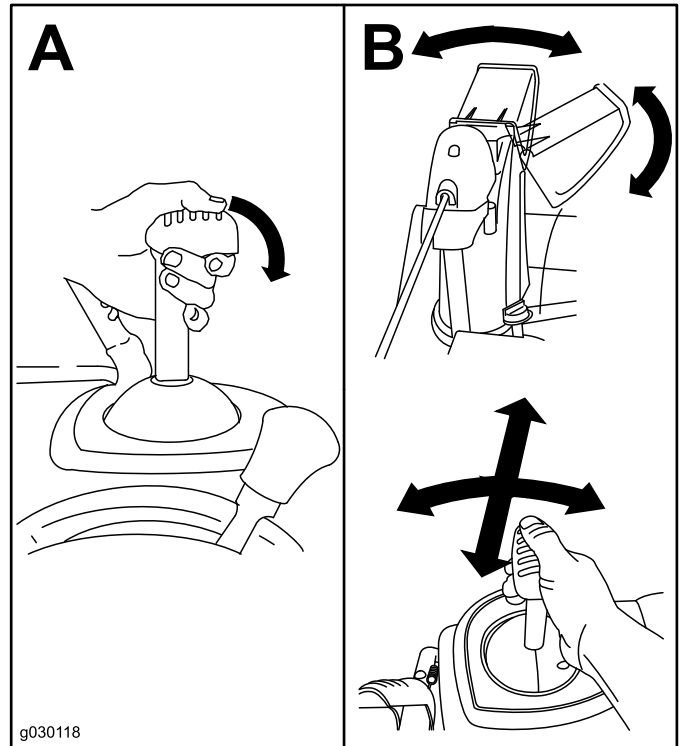


Figure 15

# Clearing a Clogged Discharge Chute

## ⚠ WARNING

If the auger/impeller is running but there is no snow coming out of the discharge chute, the discharge chute may be clogged.

Never use your hands to clear a clogged discharge chute. This could result in personal injury.

1. While remaining in the operating position, release the self-propel handle.
2. Engage the auger.
3. Push down on the handle to raise the front of the machine a few centimeters (inches) off the pavement, then lift the handles quickly to bump the front of the machine onto the pavement.
4. Disengage the auger.
5. Repeat steps 1 through 4, if necessary, until a stream of snow comes out of the discharge chute.

**Important:** If you cannot unclog the discharge chute by bumping the front of the machine, shut off the engine, wait for all moving parts to stop, and use a snow-cleanout tool (not included).

**Important:** Unclogging the discharge chute by bumping the front of the machine on the pavement may cause the skids to move. Adjust the skids and tighten the skid bolts securely; refer to [Checking and Adjusting the Skids \(page 14\)](#).

# Operating Tips

## ⚠ WARNING

The auger can throw stones, toys, and other foreign objects and cause serious personal injury to you or bystanders.

- Keep the area to be cleared free of all objects that the rotor blades could pick up and throw.
- Keep all children and pets away from the area of operation.
- Remove the snow as soon as possible after it falls.
- Overlap each swath to ensure complete snow removal.
- Discharge the snow downwind whenever possible.
- If the machine does not propel itself forward on slippery surfaces or in heavy snow, push forward on the handle, but allow the machine to work at its own pace.

# ***After Operation***

## **After Operation Safety**

- Never store the machine with fuel in the fuel tank inside a building where ignition sources are present, such as hot water heaters, space heaters, or clothes dryers. Allow the engine to cool before storing in any enclosure.
- When storing the machine for more than 30 days, refer to [Storage \(page 19\)](#) for important details.

## **Preventing Freeze-up after Use**

- Let the engine run for a few minutes to prevent moving parts from freezing. Shut off the engine, wait for all moving parts to stop, and remove ice and snow from the machine.
- Clean off any snow and ice from the base of the chute. Always use a tool to clean snow out of a chute, never use your hand.
- Rotate the discharge chute left and right to free it from any ice buildup.
- With the ignition key in the OFF position, pull the recoil-start handle several times or connect the electrical cord to a power source and the machine and push the electric-start button once to prevent the recoil starter and/or the electric starter from freezing up (electric-start models only).
- In snowy and cold conditions, some controls and moving parts may freeze. Do not use excessive force when trying to operate frozen controls. If you have difficulty operating any control or part, start the engine and let it run for a few minutes.
- Do not use the chute control to attempt to move a frozen discharge chute. Hold down the blue knob and use your hands to rotate the chute.
- Transporting the machine in an open trailer or vehicle can cause the controls or discharge chute to freeze.

# Maintenance

## Recommended Maintenance Schedule(s)

Maintenance Service Interval	Maintenance Procedure
After the first hour	<ul style="list-style-type: none"><li>• Check for loose fasteners and tighten them if necessary.</li></ul>
After the first 2 hours	<ul style="list-style-type: none"><li>• Change the engine oil.</li><li>• Inspect the auger cable and adjust it if necessary.</li><li>• Inspect the transmission cable and adjust it if necessary.</li></ul>
Before each use or daily	<ul style="list-style-type: none"><li>• Check the engine-oil level and add oil if necessary.</li></ul>
Every 100 hours	<ul style="list-style-type: none"><li>• Replace the spark plug.</li></ul>
Yearly	<ul style="list-style-type: none"><li>• Check the skids and adjust them if necessary.</li><li>• Inspect the throwing edges and have an Authorized Service Dealer replace the throwing edges and scraper if necessary.</li><li>• Change the engine oil.</li><li>• Inspect the auger cable and adjust it if necessary.</li><li>• Inspect the transmission cable and adjust it if necessary.</li><li>• Check for loose fasteners and tighten them if necessary.</li><li>• Have an Authorized Service Dealer inspect the drive belt and replace it if necessary.</li></ul>
Yearly or before storage	<ul style="list-style-type: none"><li>• Prepare the machine for storage.</li></ul>

## Maintenance Safety

Read the following safety precautions before performing any maintenance on the machine:

- Before performing any maintenance, service, or adjustment, shut off the engine and remove the key. If major repairs are ever needed, contact an Authorized Service Dealer.
- Check all fasteners at frequent intervals for proper tightness to ensure that the machine is in safe working condition.
- Do not change the governor settings on the engine.
- Purchase only genuine Toro replacement parts and accessories.

# Checking the Engine-Oil Level

**Service Interval:** Before each use or daily

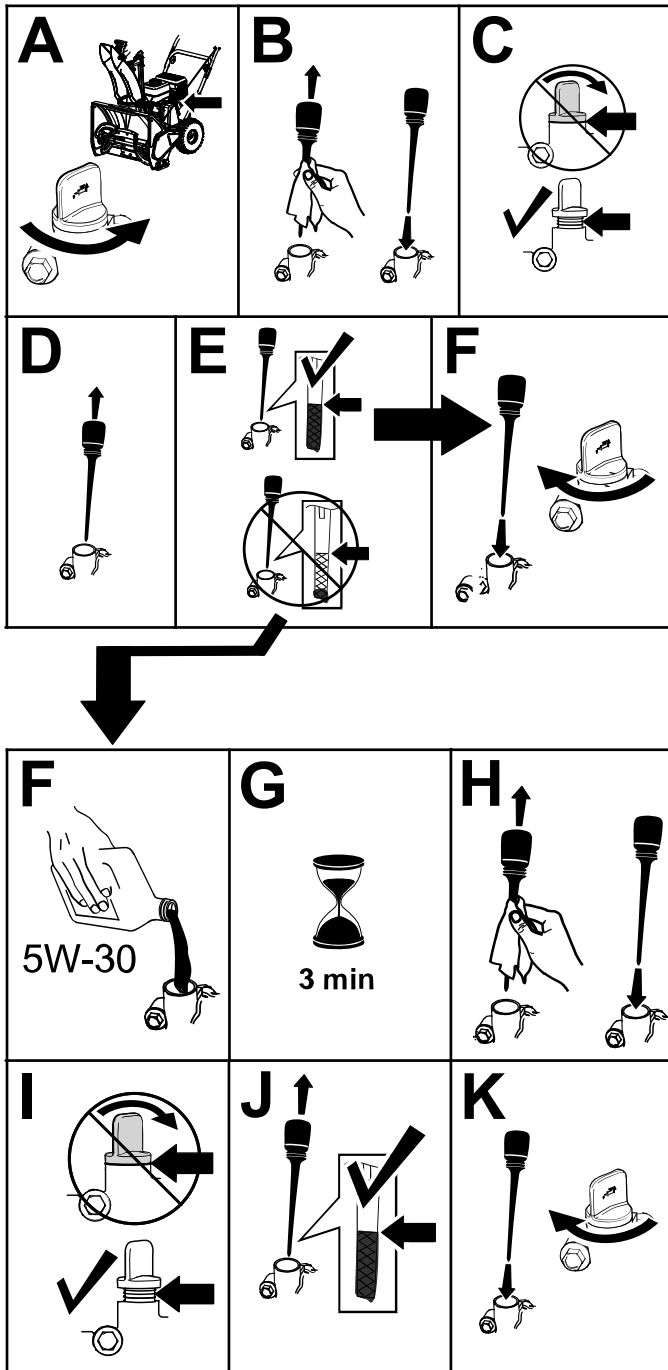


Figure 16

g221055

# Checking and Adjusting the Skids

**Service Interval:** Yearly

Check the skids to ensure that the auger does not contact the paved surface. Adjust the skids as needed to compensate for wear (Figure 17).

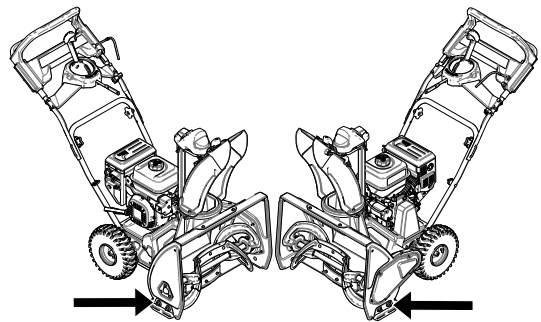
1. Loosen the skid bolts.
2. Slide a 5 mm (3/16 inch) board underneath the scraper.

**Note:** Using a thinner board results in a more aggressive scraper; using a thicker board results in a less aggressive scraper.

3. Lower the skids to the ground.

**Note:** Ensure that the skids are flat on the ground.

4. Tighten the skid bolts.



g218004

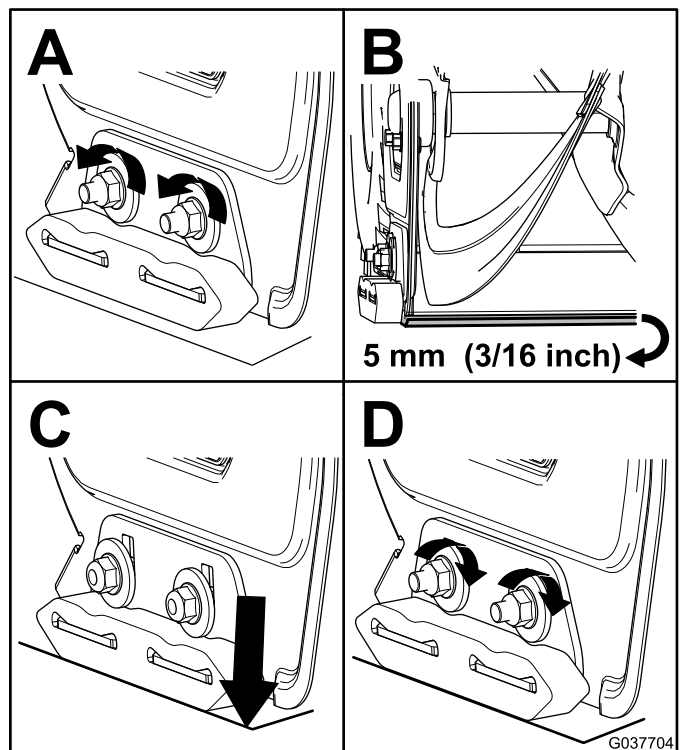


Figure 17

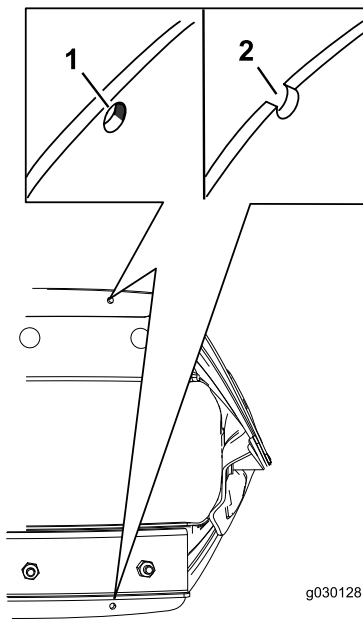
G037704

g037704

# Inspecting the Throwing Edges

**Service Interval:** Yearly—Inspect the throwing edges and have an Authorized Service Dealer replace the throwing edges and scraper if necessary.

Before each session, inspect the throwing edges for wear. When a throwing edge has worn down to the wear-indicator hole, have an Authorized Service Dealer replace the throwing edges (Figure 18).



**Figure 18**

1. The wear-indicator hole is intact; you do not need to replace the throwing edges.
2. The wear-indicator hole is exposed; replace both throwing edges.

# Changing the Engine Oil

**Service Interval:** After the first 2 hours

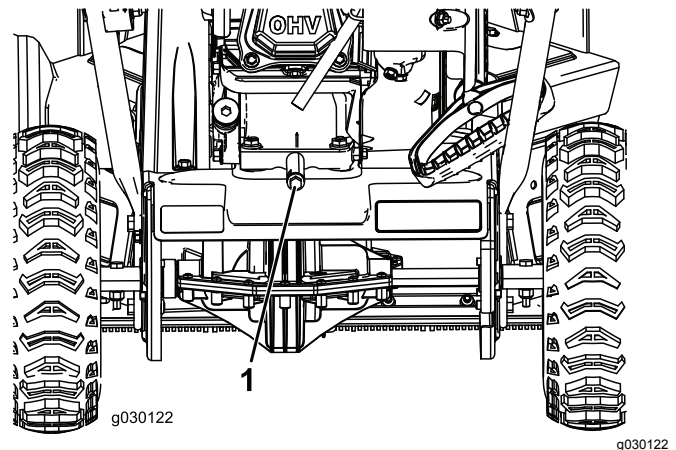
Yearly

If possible, run the engine for a few minutes before changing the oil to warm it. Warm oil flows better and carries more contaminants.

## Engine Oil Specifications

<b>Engine oil capacity</b>	Model 36002: 0.50 L (17 fl oz); Model 36003: 0.59 L (20 fl oz)
<b>Oil viscosity</b>	Refer to Figure 20.
<b>API service classification</b>	SJ or higher

1. Move the machine to a level surface.
2. Place an oil-drain pan under the oil-drain plug, remove the oil-drain plug, and tip the machine backward and drain the used oil in the oil-drain pan (Figure 19).



**Figure 19**

1. Oil-drain plug
3. After draining the used oil, return the machine to the operating position.
4. Install the oil-drain plug and tighten it securely.
5. Clean around the oil-fill cap.
6. Use Figure 20 to select the best oil viscosity for the outdoor temperature range expected:

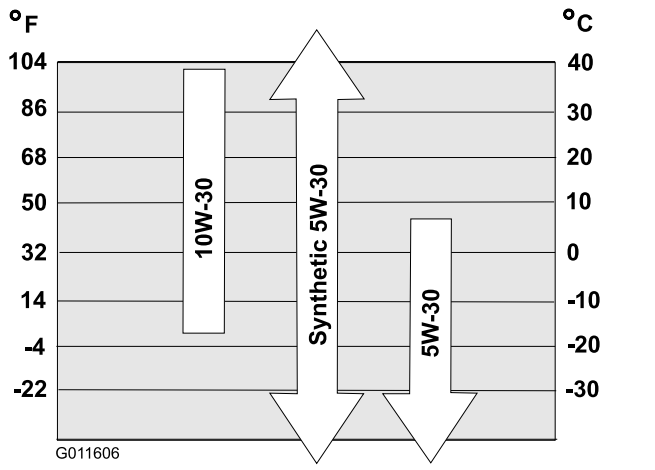


Figure 20

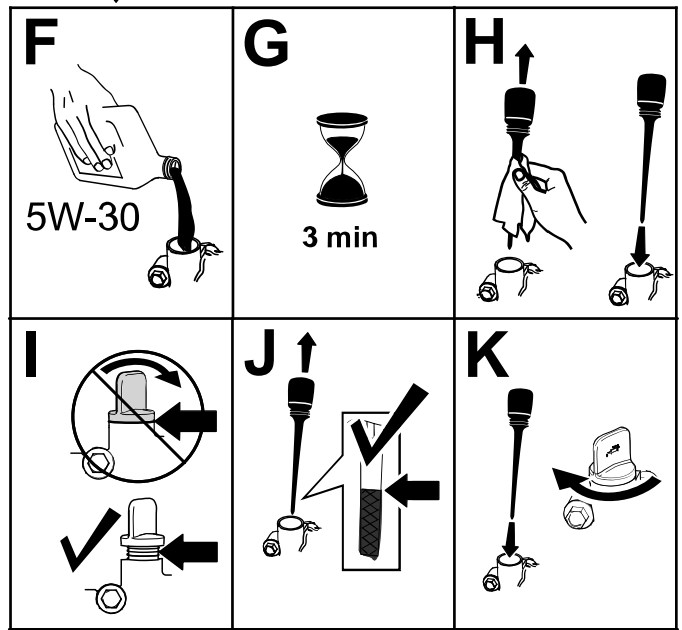
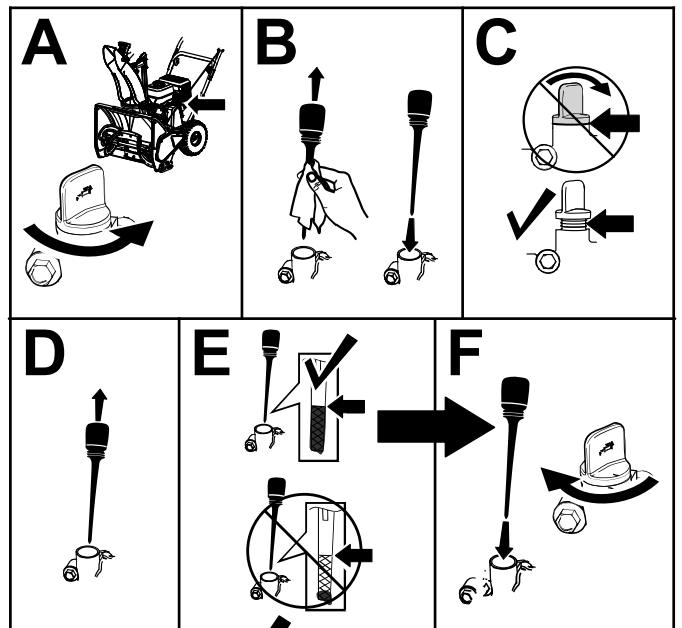


Figure 21

g221055



# Replacing the Spark Plug

**Service Interval:** Every 100 hours—Replace the spark plug.

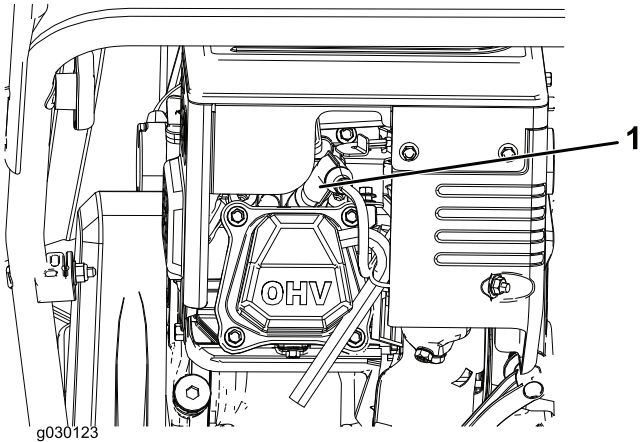
## ⚠ WARNING

Replacing the spark plug while the engine is hot can result in burns.

Wait until the engine is cool to replace the spark plug.

Use a Toro spark plug or equivalent (Champion® RN9YC or NGK BPR6ES).

1. Remove the boot (Figure 22).



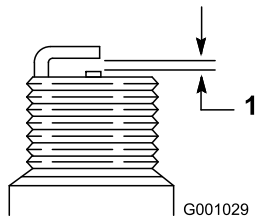
**Figure 22**

1. Spark-plug boot

2. Clean around the base of the spark plug.
3. Remove and discard the old spark plug.

**Note:** You will need a ratchet wrench extension to remove the spark plug.

4. Set the gap between the electrodes on a new spark plug at 0.76 mm (0.030 inch) as shown in Figure 23.



**Figure 23**

1. 0.76 mm (0.030 inch)

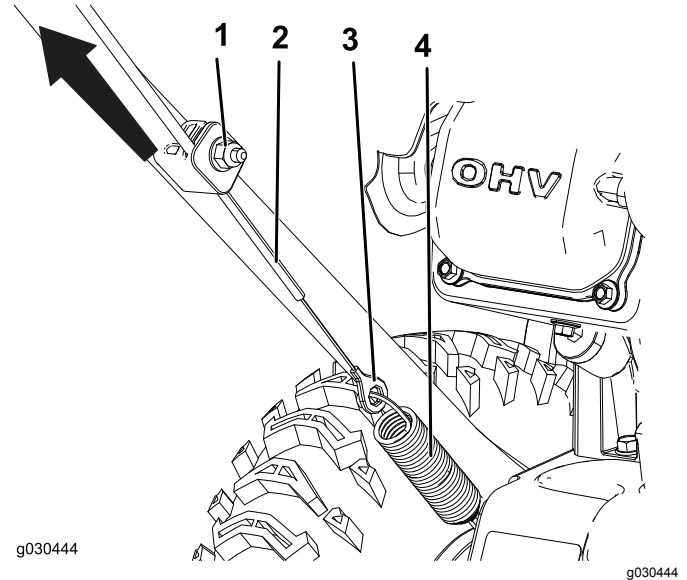
# Adjusting the Auger Cable

**Service Interval:** After the first 2 hours

Yearly

If the drive belt slips or squeals under a heavy load, adjust the auger cable.

1. Loosen the nut on the lower cable clamp, but do not remove it (Figure 24).



**Figure 24**

- |          |              |
|----------|--------------|
| 1. Nut   | 3. Connector |
| 2. Cable | 4. Spring    |

2. Pull the cable up to remove some slack (Figure 24).

**Important:** Do not remove all the slack from the cable. Removing all the slack from the cable prevents the auger from stopping properly.

3. Hold the cable in place and tighten the nut (Figure 24).

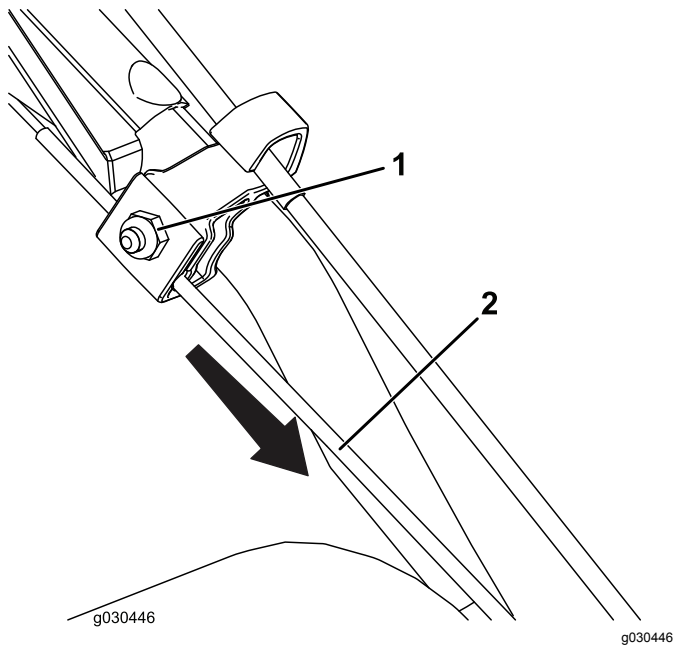
# Adjusting the Transmission Cable

**Service Interval:** After the first 2 hours

Yearly

If the wheels easily stall out, or if the wheels drive without engaging the self-propel handle, adjust the transmission cable.

1. Loosen the nut on the upper cable clamp, but do not remove it (Figure 25).



**Figure 25**

1. Nut
2. Cable

2. Pull the cable down to remove most of the slack in the cable (Figure 25).

**Important:** Do not remove all the slack from the cable. Removing all the slack from the cable may cause the wheels to engage without engaging the self-propel handle.

3. Tighten the nut (Figure 25).

# Storage

## Storing the Machine

### **▲ WARNING**

Fuel fumes are highly flammable, explosive, and dangerous if inhaled. If you store the product in an area with an open flame, the fuel fumes may ignite and cause an explosion.

- Do not store the machine in a house (living area), basement, or any other area where ignition sources may be present, such as hot water and space heaters, clothes dryers, furnaces, and other appliances.
  - Do not tip the machine either forward or backward with fuel in the fuel tank; otherwise, fuel may leak out of the machine.
  - Do not store the machine with its handle tipped down onto the ground; otherwise, oil leaks into the engine cylinder and onto the ground, and the engine does not start or run.
1. On the last refueling of the season, add fuel stabilizer to fresh fuel as directed by the fuel-stabilizer manufacturer.  
***Important:* Do not store fuel longer than suggested by the fuel-stabilizer manufacturer.**
  2. Run the engine for 10 minutes to distribute the conditioned fuel through the fuel system.
  3. Shut off the engine, allow it to cool, and siphon the fuel tank or run the engine until it shuts off.
  4. Start the engine and run it until it shuts off.
  5. Choke or prime the engine, start it a third time, and run the engine until it does not start.
  6. Drain the fuel in the carburetor through the carburetor-drain bolt into an approved gasoline container.
  7. Dispose of unused fuel properly. Recycle it according to local codes, or use it in your automobile.
  8. While the engine is still warm, change the engine oil. Refer to [Changing the Engine Oil \(page 15\)](#).
  9. Remove the spark plug.
  10. Squirt 10 ml (2 tsp) of oil into the spark-plug hole.
  11. Install the spark plug by hand and then torque it to 27 to 30 N·m (20 to 22 ft-lb).
  12. With the ignition key in the OFF position, pull the recoil-start handle slowly to distribute the oil on the inside of the cylinder.
  13. Clean the machine.
  14. Touch up chipped surfaces with paint available from an Authorized Service Dealer. Sand affected areas before painting, and use a rust preventative to prevent the metal parts from rusting.
  15. Tighten any loose fasteners. Repair or replace any damaged parts.
  16. Cover the machine and store it in a clean, dry place out of the reach of children. Allow the engine to cool before storing the machine in any enclosure.



**Count on it.**