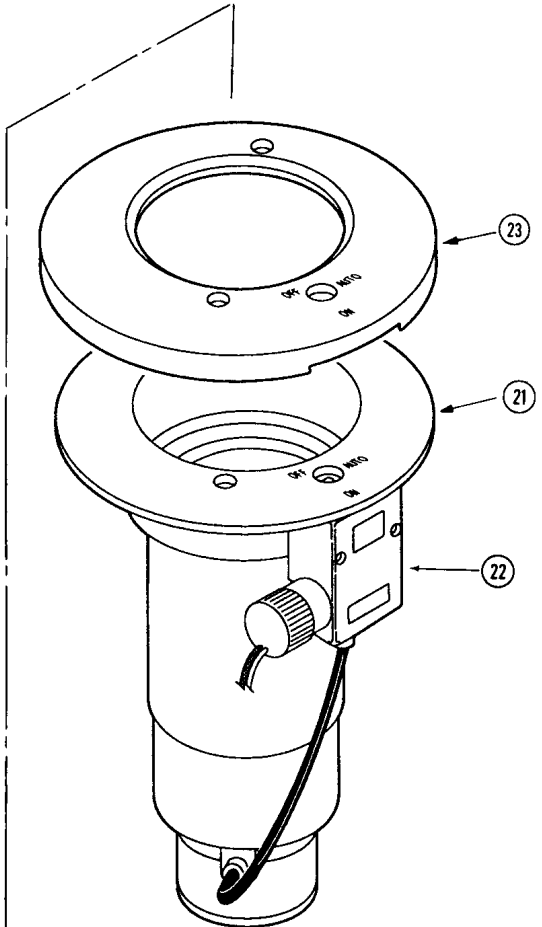
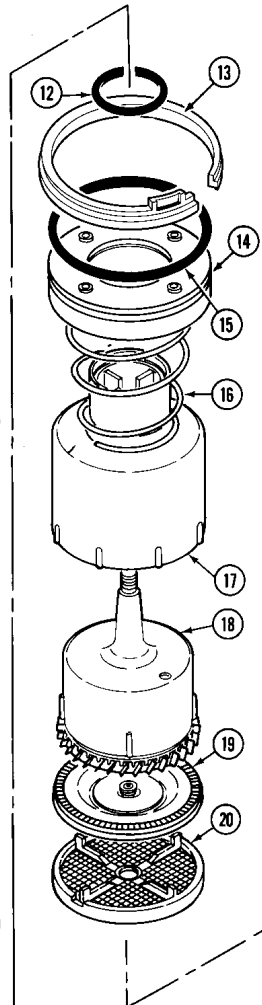
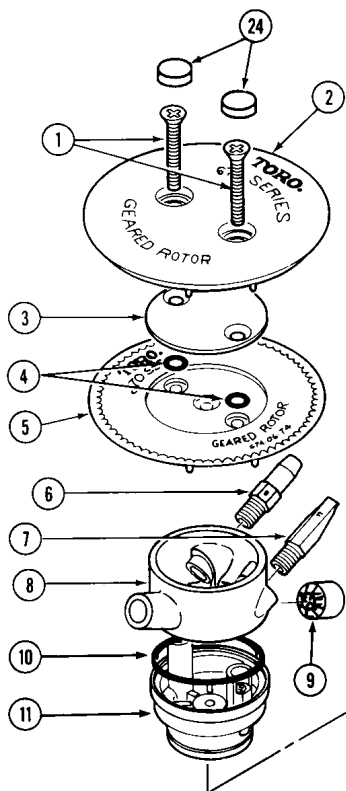
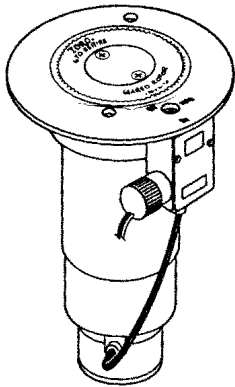


670 Series



Model Number Information

674-XX-XXX				
Arc	Body	Valve	Nozzle	Pressure Regulation *
4 = Full-circle	0 = NPT 4 = ACME 5 = BSP	1 = NO Valve-In-Head 2 = Check-O-Matic 6 = Electric Valve-In-Head	70 71 72 73 74	6 = 65 PSI 8 = 80 PSI 1 = 100 PSI

* Pressure Regulation available on Electric and NC VIH models only.

Item No.	Part No.	Description	Quantity Per Assy.
1	363-1571	Screw, Machine, 1/4-20 X 2", SST	2
2	9-5633	Cap Assy, Rubber Cover	1
3	9-3735	Plate, Cap, Insert	1
4	360-0107	O-Ring, 0.070" x 0.301" x 0.441"	2
5	35-0530	Cap, Sprinkler, 670	1
6	9-2793	Nozzle, "0" Intermediate	1
7	9-7177	Nozzle, "F" Inner	1
8	9-7962	Ring, Nozzle Assy., #70 (5/16")	1
8	9-7963	Ring, Nozzle Assy., #71 (11/32")	1
8	9-7964	Ring, Nozzle Assy., #72 (3/8")	1
8	9-7965	Ring, Nozzle Assy., #73 (13/32")	1
8	9-7966	Ring, Nozzle Assy., #74 (7/16")	1
9	89-5813	Straightener, Stream	1
10	360-0398	O-Ring, 0.070" x 1.989" x 2.129"	1
11	9-7407	Nozzle Base Assy.	1
12	9-5075	O-Ring, Housing, Outer	1
13	35-6119	Ring, Snap, Head	1
14	9-5055	Spring Retainer & Plate Assembly	1
15	363-4103	O-Ring, Paraffin AS-568 234	1
16	9-3737	Spring, Return	1
17	9-3874	Drive Assy., Outer Housing	1
18	9-3908	Drive Assy. (Includes Item 17)	1
19	9-4091	Stator, Fixed (Used with #70 & #71 Nozzle)	1
19	9-4529	Stator, Variable (Used with #72, #73 & #74 Nozzle)	1
20	35-3611	Screen, Debris	1
21	-----	Body Assy. (See p. 104)	1
22	-----	Pilot Valve Assy. (See p. 108)	1
23	9-5355	Cover, Flange, Rubber	1
24	3-2518	Plug, Cap, Rubber	1
		SERVICE ITEMS	
	89-0475	670 Nozzle Assy., #70 (Includes Items 1 & 3-12)	
	9-7415	670 Nozzle Assy., #71 (Includes Items 1 & 3-12)	
	9-7416	670 Nozzle Assy., #72 (Includes Items 1 & 3-12)	
	9-7417	670 Nozzle Assy., #73 (Includes Items 1 & 3-12)	
	9-7418	670 Nozzle Assy., #74 (Includes Items 1 & 3-12)	
	9-7271	Adapter, Tubing (Oversize Thread)	
	35-3599	Stream Straightener, Debris Resistant	
	670-01	Kit, Rubber Cover (Includes Items 2, 23 & 24)	
		SERVICE TOOLS	
	995-09	Valve Removal Tool	
	995-15	Selector Tool (Flag Key)	
	995-83	Multi-purpose Tool	
	995-100	Valve Snap Ring Pliers with Screen Remover	
	995-101	Valve Insertion Tool	