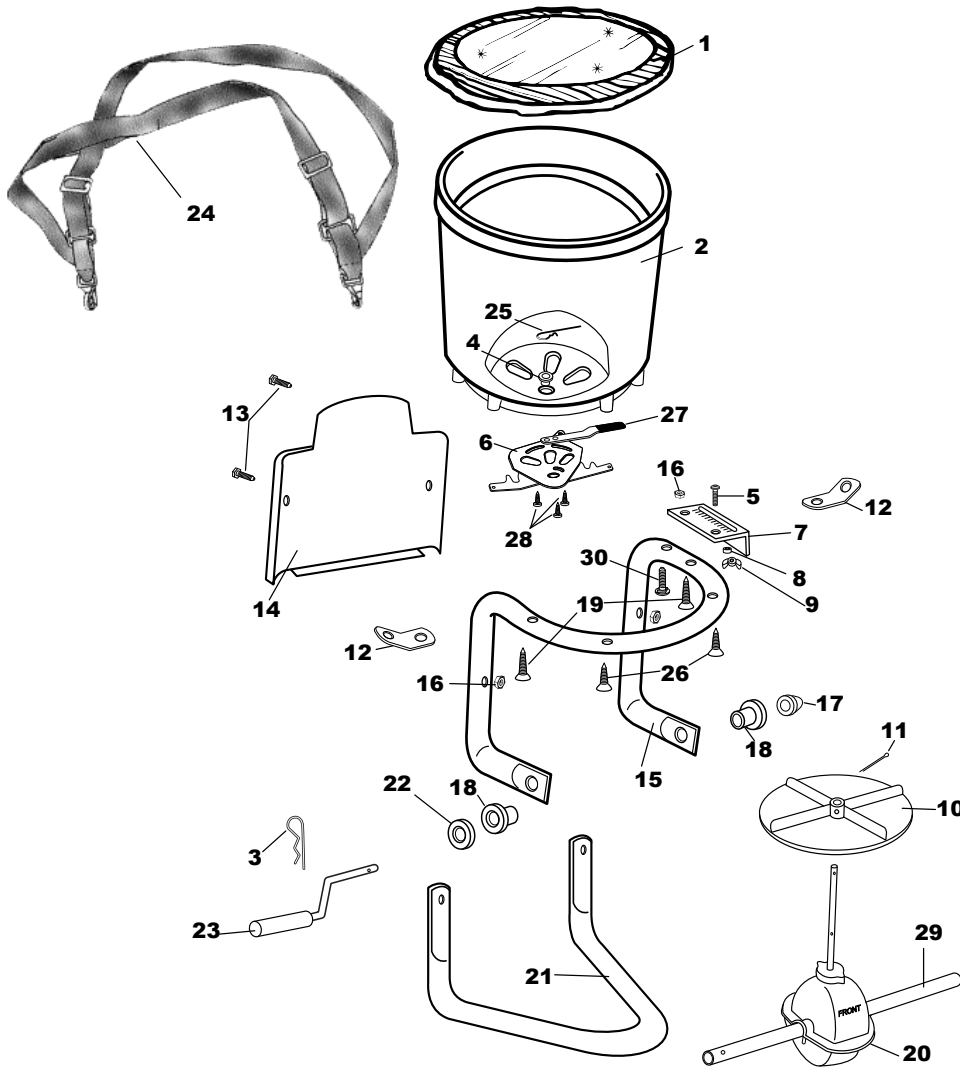


EarthWay[®] EV-N-SPRED

Earthway Products, Inc.

P.O. Box 547
Bristol, IN 46507
(574) 848-7491
800-294-0671



3100 Parts List

Key #	Part #	Description	Key #	Part #	Description	Key #	Part #	Description
1	77000	HEAVY DUTY RAIN COVER	11	36105	1/8" X 1 1/4" COTTER PIN S.S.	21	23600	STAND
2	13103	HOPPER	12	44226	HARNESS CLIP	22	34103	1"OD X 17/32"ID X 1/32" WASHER
3	33110	HAIR PIN CLIP #214 ZINC	13	37101	1/4-20 X 1 1/2" CARRIAGE BLT	23	60124	HANDLE CRANK ASSEMBLY
4	12220	HOPPER BUSHING	14	12188	BELLY GUARD	24	60121	HARNESS ASSEMBLY
5	37103	#10-24 X 3/4" CARRIAGE BOLT	15	23103	FRAME	25	33117	AGITATOR
6	60128	LEVER & SHUT OFF ASSEMBLY	16	32100	1/4-20 HEX NUT ZINC	26	31108	#10 X 1 1/4" TYPE A FHPS
7	41262	FLOW GAUGE	17	12166	CRANK SHAFT CAP	27	19114	.125" X .75" X 2" GRIP BLK
8	12147	SPACER (PIVOT LINK)	18	12137	SPLIT BEARING	28	31138	#8 X 3/8" PMT #8 HD COARSE
9	32106	10-24 WING NUT ZINC	19	31128	#10 X 1 1/2" TYPE A FHPS	29	23608	CRANK SHAFT
10	12109	IMPELLER	20	60126	GEAR BOX ASSEMBLY	30	37109	1/4-20 X 1 1/4" CARRIAGE BOLT

5-YEAR LIMITED WARRANTY

Earthway Products, Inc. warrants this product free of defects in original workmanship and materials for a period of 5-years to the end user with the original purchase receipt. If a manufacturing non-conformance is found, Earthway Products, Inc. at its discretion will repair or replace the part(s) or product at no charge provided the failure is not the result of incorrect installation, mishandling, misuse, tampering, or normal wear and tear as determined by Earthway. Earthway at its discretion may require that the part(s) or product be returned along with the original purchase receipt at owners' expense for examination and compliance with the terms of this warranty. Do not return any product without first receiving authorization from Earthway Products, Inc. To seek remedy under this warranty, contact Earthway Products, Inc. at 574-848-7491, techsupport@earthway.com or write to Earthway Products, Inc. P.O. Box 547 Bristol, Indiana 46507 and describe the nature of the manufacturing defect. **SPECIFIC LIMITATIONS:** This warranty covers only the part(s) or product; any labor charges associated with repair or replacement of non-conformances are specifically excluded. Due to the corrosive nature of most fertilizers and ice melt products, Earthway Products, Inc. makes no warranty against and specifically excludes part(s) or product degradation or failure due to corrosion or its effects. Clean and dry your spreader thoroughly after each use, as a preventative measure, coat all metal parts (inside tubing) with a light oil or silicon spray.